



US00D789788S

(12) **United States Design Patent** (10) **Patent No.:** **US D789,788 S**
Rossiter (45) **Date of Patent:** **** Jun. 20, 2017**

(54) **RECORDABLE MEDIA PACKAGE**
(71) Applicant: **Disc Graphics Inc.**, Hauppauge, NY (US)
(72) Inventor: **Shane Rossiter**, Los Angeles, CA (US)
(73) Assignee: **Disc Graphics Inc.**, Hauppauge, NY (US)
(**) Term: **15 Years**
(21) Appl. No.: **29/545,158**
(22) Filed: **Nov. 10, 2015**

5,657,867 A 8/1997 Fu et al.
D386,406 S * 11/1997 House D9/433
D403,197 S 12/1998 Bandy et al.
6,063,227 A 5/2000 Raymond et al.
6,761,307 B2 7/2004 Matsuoka
6,845,865 B2 1/2005 Wynalda, Jr. et al.
D519,367 S 4/2006 Alexander
D599,153 S 9/2009 Wynalda, Jr. et al.
D600,964 S 9/2009 Eliáš et al.
D600,965 S 9/2009 Eliáš et al.
D609,563 S 2/2010 Daum et al.
D622,997 S 9/2010 Wynalda, Jr. et al.
D641,579 S 7/2011 Wynalda, Jr. et al.
D642,414 S 8/2011 Wynalda, Jr. et al.
D642,935 S 8/2011 Bergeron et al.

(Continued)

Related U.S. Application Data

(60) Continuation of application No. 29/499,771, filed on Aug. 19, 2014, now Pat. No. Des. 742,741, which is a division of application No. 29/471,914, filed on Nov. 6, 2013, now Pat. No. Des. 717,164.
(51) **LOC (10) Cl.** **09-03**
(52) **U.S. Cl.**
USPC **D9/433**
(58) **Field of Classification Search**
USPC D9/430, 414, 432, 524, 516, 433, 431, D9/756, 426, 725, 425, 242, 761, 418, D9/416, 420, 737; D7/543, 545, 602, D7/552.2, 538, 553.1, 553.2, 555, 541; 229/112, 120.17; D6/518
CPC B65D 1/00; B65D 5/4291; B65D 5/38; B65D 1/225; B65D 5/002; A47F 5/11
See application file for complete search history.

(56) **References Cited**

U.S. PATENT DOCUMENTS

4,718,550 A 1/1988 Johnson
4,966,283 A 10/1990 Sykes et al.
5,472,083 A 12/1995 Robinson et al.
D382,797 S 8/1997 House

FOREIGN PATENT DOCUMENTS

JP 2002-059987 A 2/2002
JP 2006-224988 A 8/2006

Primary Examiner — Cynthia Underwood
(74) *Attorney, Agent, or Firm* — Carter, DeLuca, Farrell & Schmidt, LLP

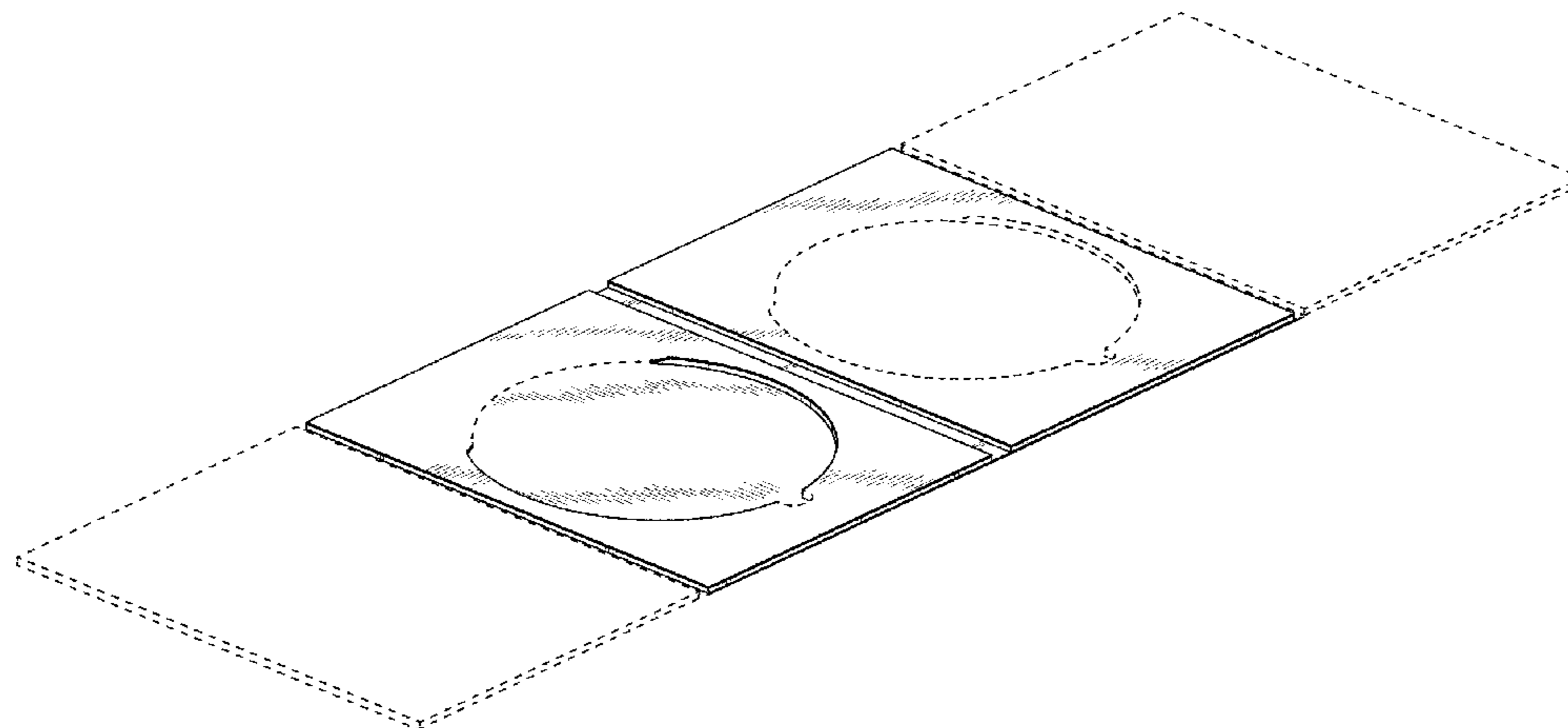
(57) **CLAIM**

The ornamental design for a recordable media package, as shown and described.

DESCRIPTION

FIG. 1 is a front perspective view of a recordable media package in accordance with the present design;
FIG. 2 is a top elevational view thereof;
FIG. 3 is a bottom elevational view thereof;
FIG. 4 is a short side elevational view thereof;
FIG. 5 is a long side elevational view thereof; and,
FIG. 6 is a front perspective view of the recordable media package of FIG. 1 in a partially folded state.
The broken lines shown are included for the purpose of illustrating a portion of the recordable medium package that form no part of the claimed design.

1 Claim, 5 Drawing Sheets



(56)

References Cited

U.S. PATENT DOCUMENTS

D646,918	S	10/2011	Wynalda, Jr. et al.	
8,079,470	B2	12/2011	Trajkovich	
D717,164	S	11/2014	Rossiter	
D730,963	S	6/2015	Lin	
D742,741	S *	11/2015	Rossiter	D9/433
D758,685	S *	6/2016	Liedtke	D32/54
2005/0161350	A1	7/2005	Siecke	
2006/0222823	A1	10/2006	Hiller	
2006/0283729	A1 *	12/2006	Feffer	G11B 33/0494 206/232
2008/0105573	A1	5/2008	Gonzales	
2008/0135430	A1	6/2008	Fitzsimons	
2009/0314669	A1	12/2009	Caraher	

* cited by examiner

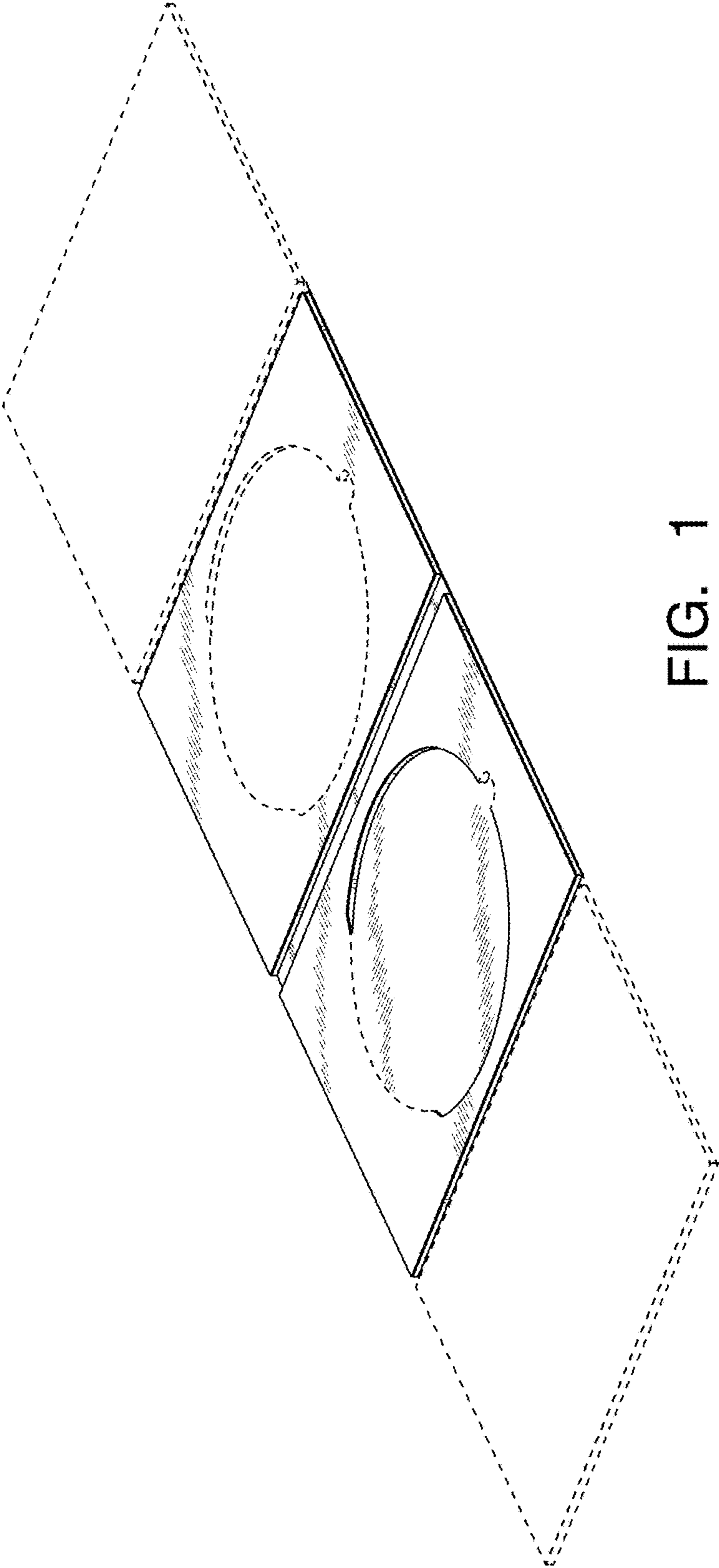


FIG. 1

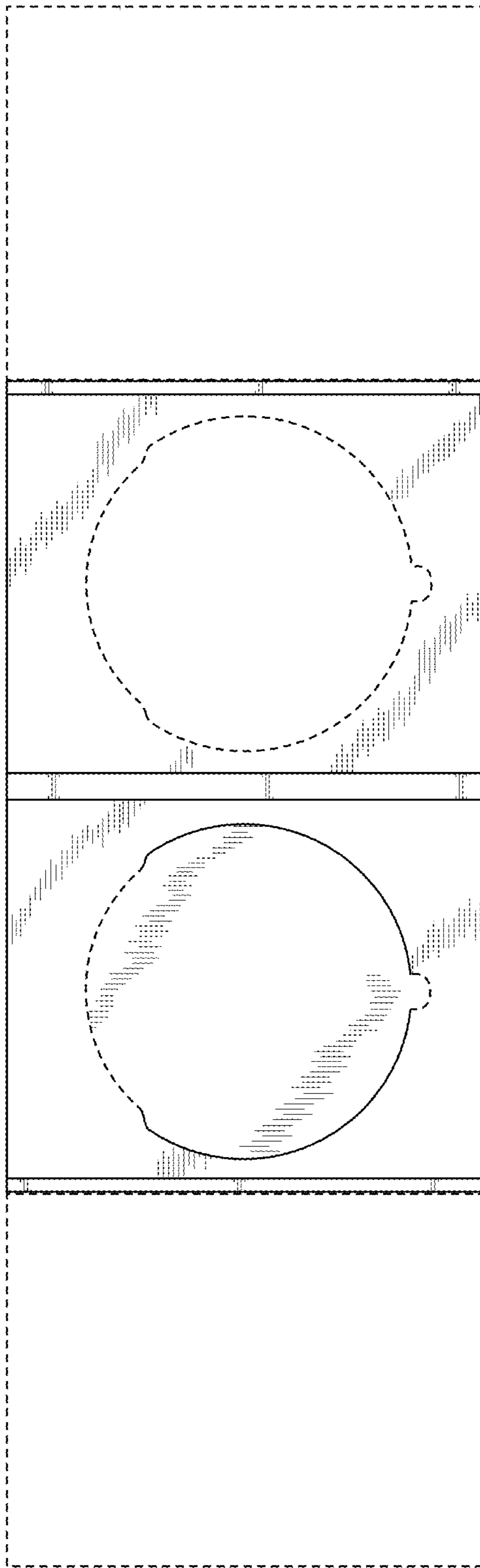


FIG. 2

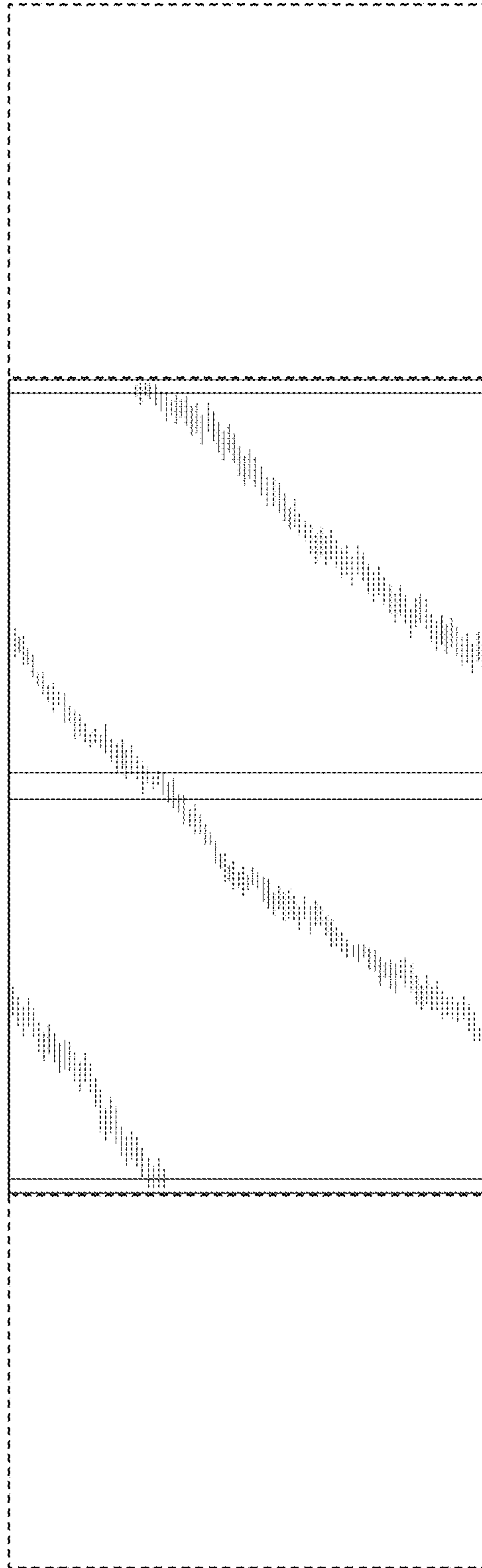


FIG. 3

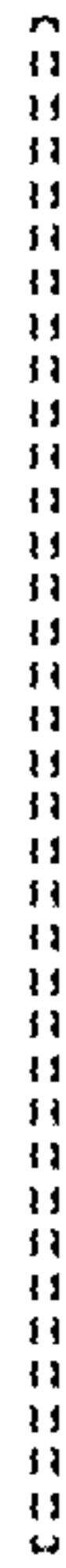


FIG. 4



FIG. 5

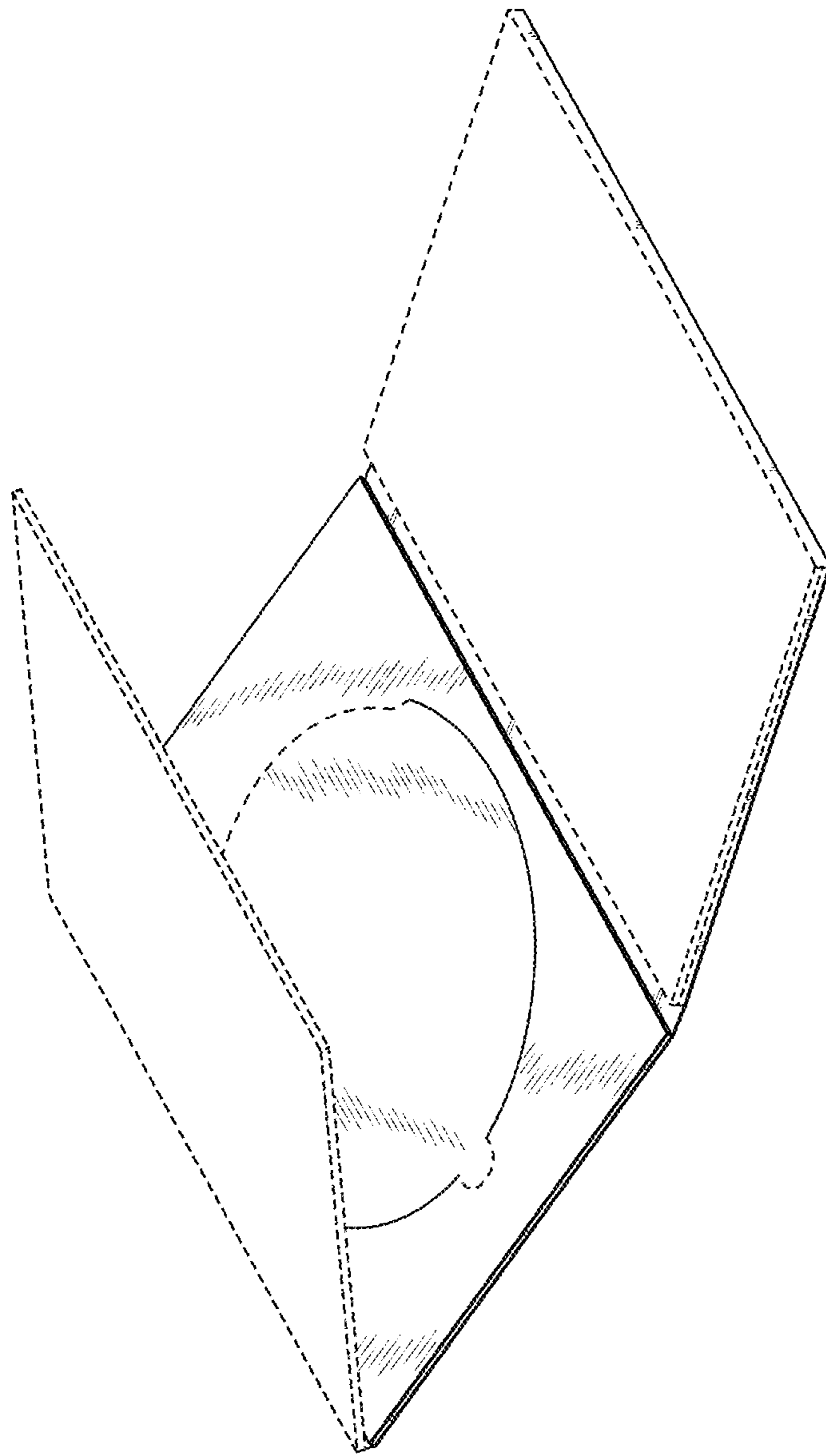


FIG. 6