



US00D789786S

(12) **United States Design Patent**
Michalas et al.

(10) **Patent No.:** **US D789,786 S**
(45) **Date of Patent:** **** Jun. 20, 2017**

- (54) **CONTAINER**
- (71) Applicant: **PENINSULA PACKAGING LLC**,
Exeter, CA (US)
- (72) Inventors: **Mark Michalas**, Yakima, WA (US);
Gregory A. Maas, Moxee, WA (US);
Mark Kubishta, Yakima, WA (US)
- (73) Assignee: **SONOCO DEVELOPMENT, INC.**,
Hartsville, SC (US)
- (**) Term: **15 Years**
- (21) Appl. No.: **29/551,202**
- (22) Filed: **Jan. 11, 2016**
- (51) **LOC (10) Cl.** **09-03**
- (52) **U.S. Cl.**
USPC **D9/425**
- (58) **Field of Classification Search**
USPC D7/396.1, 538-545, 602, 608, 629;
D9/414, 420, 424-429, 432, 761;
206/499, 508, 557; 220/23.4, 23.6, 315,
220/500, 659, 669, 674, 675, 696, 752,
220/760, 790, 793; 229/105, 117.09,
229/117.26, 189, 406, 407, 902, 905
CPC ... B65D 1/26; B65D 1/34; B65D 1/36; B65D
1/40; B65D 1/0223; B65D 25/04; B65D
43/0212; B65D 79/005; B65D 81/34;
B65D 81/3453; B65D 2543/00027; B65D
2543/00648; B65D 2581/34; B65D
2581/3404; B65D 2581/3456
See application file for complete search history.

3,356,277 A	12/1967	Hohnjec
3,396,867 A	8/1968	Garriga
3,412,889 A	11/1968	Eicholtz et al.
3,416,690 A	12/1968	Michael
3,421,682 A	1/1969	Eisenbach
3,655,110 A	4/1972	Eisenbach
3,786,982 A	1/1974	Rakes et al.
3,933,296 A	1/1976	Ruskin et al.
D272,595 S	2/1984	Chase et al.
4,494,650 A	1/1985	Cullen
4,512,474 A	4/1985	Harding
4,576,330 A	3/1986	Schepp
4,593,816 A	6/1986	Langenbeck
4,886,204 A	12/1989	Kalmanides
4,892,220 A	1/1990	Foos
5,012,928 A	5/1991	Proffitt et al.
D318,420 S	7/1991	Amelse

(Continued)

Primary Examiner — Derrick Holland

Assistant Examiner — Janice Lim

(74) *Attorney, Agent, or Firm* — Loza & Loza, LLP;
Heidi L. Eisenhut

(56) **References Cited**

U.S. PATENT DOCUMENTS

2,939,603 A	6/1960	Young
3,351,227 A	11/1967	Collie
3,351,270 A	11/1967	Hohnjec

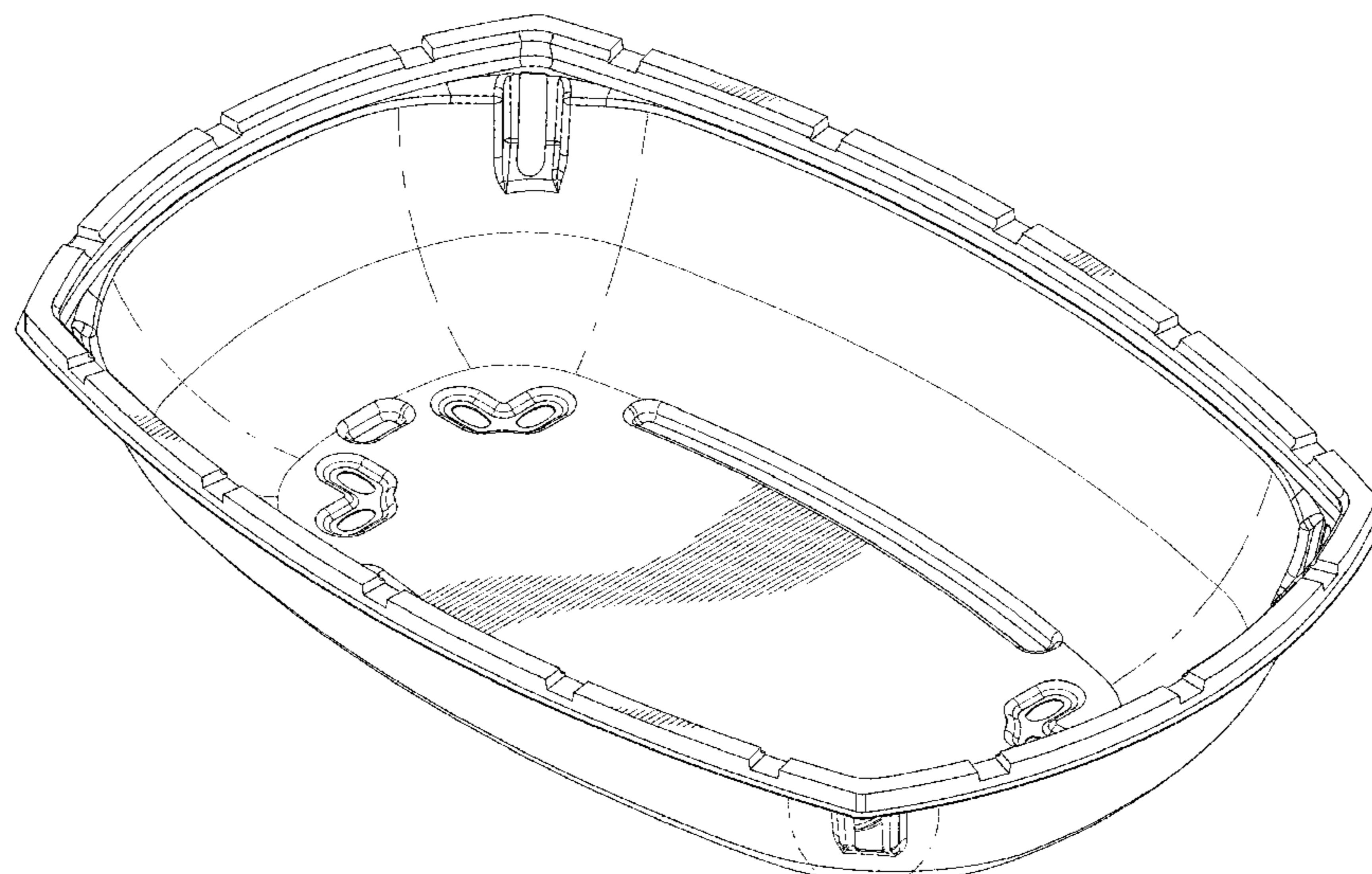
(57) **CLAIM**

The ornamental design for a container, as shown and described.

DESCRIPTION

FIG. 1 is a front top left side perspective of a container of the present invention;
 FIG. 2 is a bottom rear left side perspective of the container of FIG. 1;
 FIG. 3 is a front elevation view of the container of FIG. 1;
 FIG. 4 is a rear elevation view of the container of FIG. 1;
 FIG. 5 is a right side elevation view of the container of FIG. 1;
 FIG. 6 is a left side elevation view of the container of FIG. 1;
 FIG. 7 is a top plan view of the container of FIG. 1; and,
 FIG. 8 is a bottom plan view of the container of FIG. 1.

1 Claim, 6 Drawing Sheets



(56)

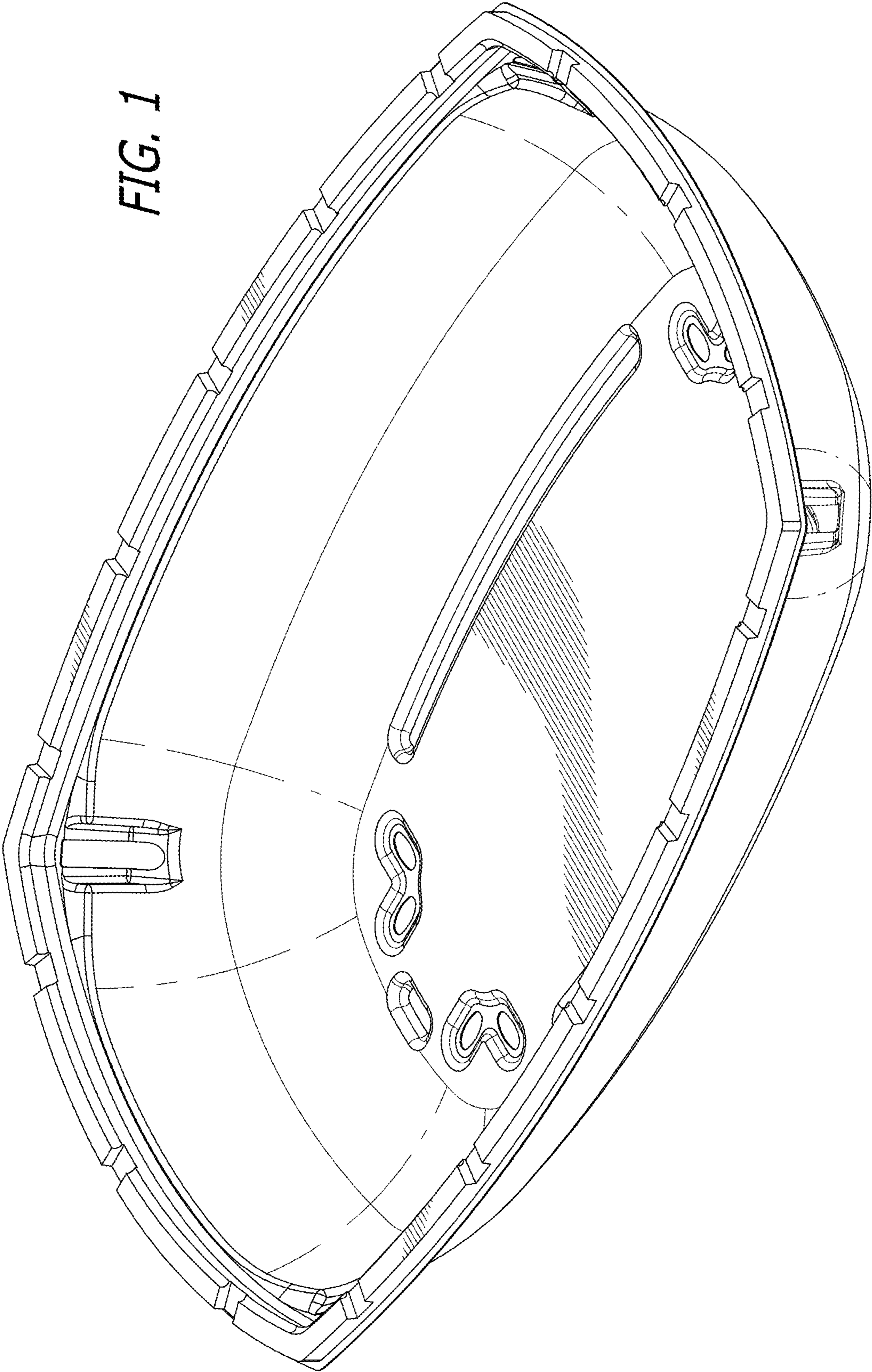
References Cited

U.S. PATENT DOCUMENTS

5,031,774 A	7/1991	Morris et al.	
5,046,659 A	9/1991	Warburton	
5,071,026 A	12/1991	Apps	
5,092,479 A	3/1992	Wells	
5,156,267 A	10/1992	Yates, Jr. et al.	
5,169,014 A	12/1992	Hexamer	
D343,576 S	1/1994	Krupa	
5,377,860 A	1/1995	Littlejohn et al.	
D361,035 S	8/1995	Krupa	
D361,036 S	8/1995	Krupa	
5,456,379 A	10/1995	Krupa et al.	
D363,879 S	11/1995	Krupa et al.	
5,497,894 A	3/1996	Krupa et al.	
5,515,993 A	5/1996	McManus	
5,584,408 A	12/1996	Orkisz	
D378,192 S	2/1997	Krupa et al.	
D382,112 S	8/1997	Egan	
D382,795 S	8/1997	Abayhan et al.	
5,653,345 A	8/1997	Knoss et al.	
5,711,978 A	1/1998	Breen et al.	
5,758,791 A	6/1998	Mangla	
5,833,116 A	11/1998	Guillin	
5,860,549 A	1/1999	Allers et al.	
D408,282 S *	4/1999	McCann	D9/423
D409,485 S	5/1999	Christy, Jr.	
5,979,687 A	11/1999	Hayes et al.	
5,992,628 A	11/1999	Vermilion et al.	
D420,859 S *	2/2000	Loew	D7/602
6,079,554 A	6/2000	Hammett et al.	
6,085,930 A	7/2000	Curtis	
D438,100 S	2/2001	Cekota	
D451,278 S	12/2001	Cooper	
D467,496 S	12/2002	Hayes et al.	
6,508,395 B2	1/2003	McLeod	
D469,689 S *	2/2003	Buchalski	D9/425
6,588,612 B1	7/2003	Dorn et al.	
D478,282 S	8/2003	Hayes et al.	
6,644,494 B2	11/2003	Hayes et al.	
6,666,348 B2	12/2003	Fore et al.	
D490,278 S	5/2004	Welsh	
D493,672 S	8/2004	Jalet et al.	
6,845,878 B2	1/2005	Hayes et al.	
D506,147 S	6/2005	Hall	
D509,106 S	9/2005	de Groote et al.	
D514,389 S	2/2006	Luna et al.	
D531,802 S	11/2006	Zimmerman	
7,204,388 B2	4/2007	Galland et al.	
D544,755 S	6/2007	Diesman	
7,243,813 B2	7/2007	Krueger	
7,246,714 B2	7/2007	Garg et al.	
7,255,231 B2	8/2007	Andrews et al.	
D551,907 S *	10/2007	Zettle	D7/500
D566,483 S	4/2008	Tucker et al.	
D569,243 S	5/2008	Kidd et al.	
D579,326 S	10/2008	Chen	
7,441,672 B2	10/2008	Cadiente et al.	
7,472,799 B2	1/2009	Cadiente et al.	
D591,148 S	4/2009	Parikh et al.	
7,597,206 B2	10/2009	Atkins et al.	
D604,604 S	11/2009	Strange	
D606,811 S	12/2009	Furlong	
D607,282 S	1/2010	Furlong	
D621,222 S	8/2010	Heiberg et al.	
7,784,615 B2	8/2010	Stahl	
7,819,279 B2	10/2010	Galland et al.	
7,866,502 B2	1/2011	Maxwell	
D638,700 S *	5/2011	Bouveret	D9/425
D643,710 S *	8/2011	Samartgis	D9/424
D664,842 S *	8/2012	Meyer	D9/425
D665,674 S *	8/2012	Wu	D7/629
D678,050 S	3/2013	Birchmeier et al.	
D678,051 S *	3/2013	Krueger	D9/432
D688,941 S	9/2013	Sifuentes et al.	
D696,938 S	1/2014	BeVier et al.	
D699,568 S *	2/2014	Epstein	D9/425
D702,511 S *	4/2014	Segal	D7/629
D706,621 S *	6/2014	Tuchrelo	D9/425
D720,990 S	1/2015	Jacobs et al.	
D723,339 S	3/2015	Maxwell et al.	
D723,340 S	3/2015	Maxwell et al.	
2003/0052133 A1	3/2003	Hayes et al.	
2003/0152670 A1	8/2003	Shih	
2003/0192888 A1	10/2003	Chang	
2003/0198714 A1	10/2003	Cadiente et al.	
2005/0040068 A1	2/2005	Palder	
2005/0167317 A1	8/2005	Barrett et al.	
2005/0247709 A1	11/2005	Atkins et al.	
2006/0289550 A1	12/2006	Guardigli	
2007/0045631 A1	3/2007	Endo et al.	
2007/0095848 A1	5/2007	Galland et al.	
2008/0000800 A1	1/2008	LaMarche et al.	
2008/0023472 A1	1/2008	Brandt	
2008/0135556 A1	6/2008	Bontrager et al.	
2009/0065514 A1	3/2009	Vovan	
2009/0134179 A1	5/2009	Kidd et al.	
2009/0134180 A1	5/2009	Kidd et al.	
2009/0223966 A1	9/2009	Kidd et al.	

* cited by examiner

FIG. 1



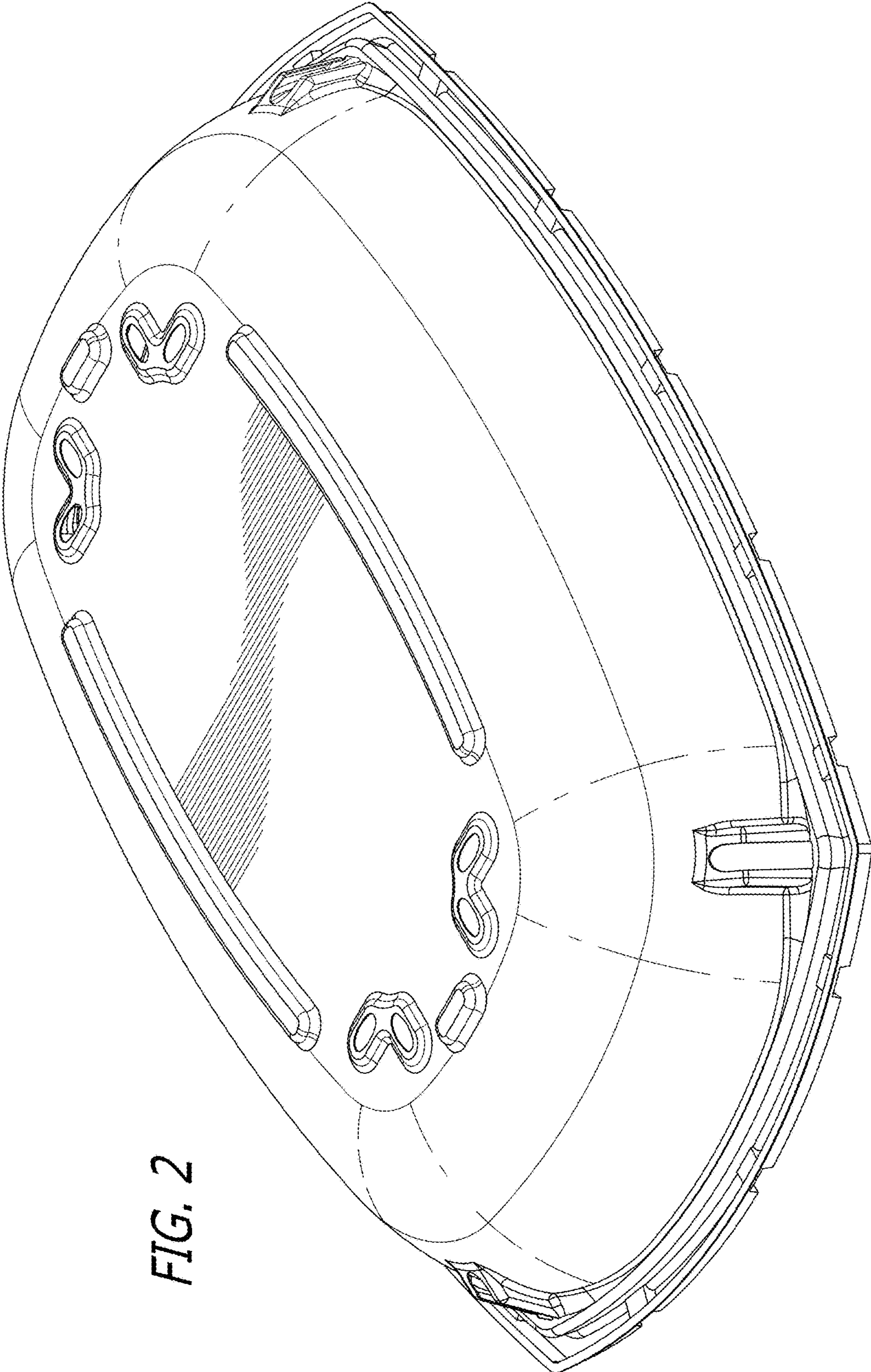
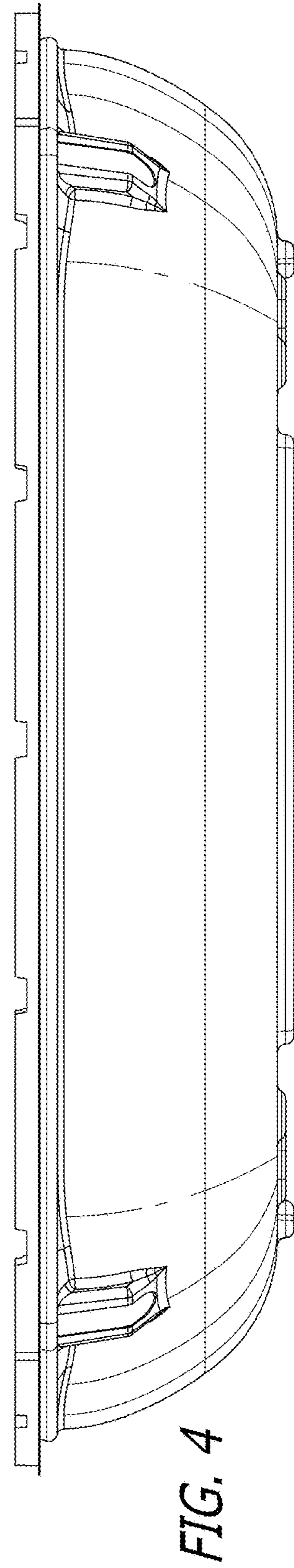
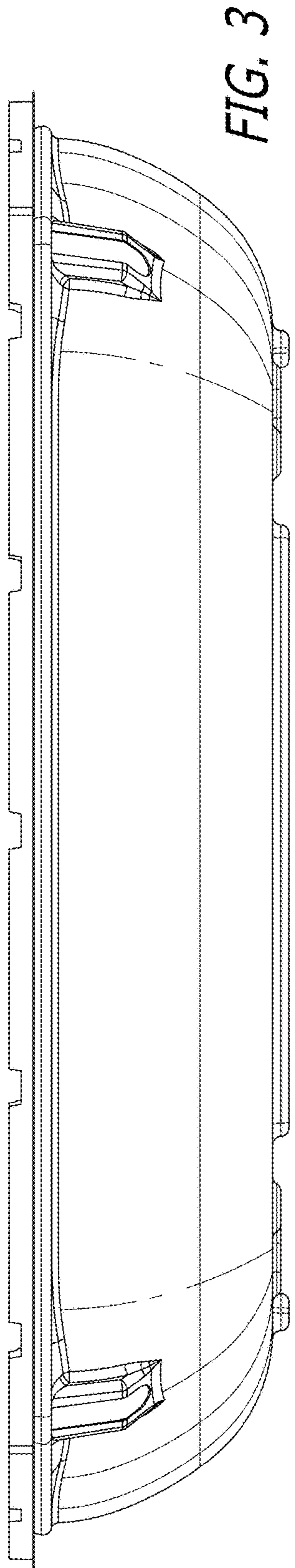


FIG. 2



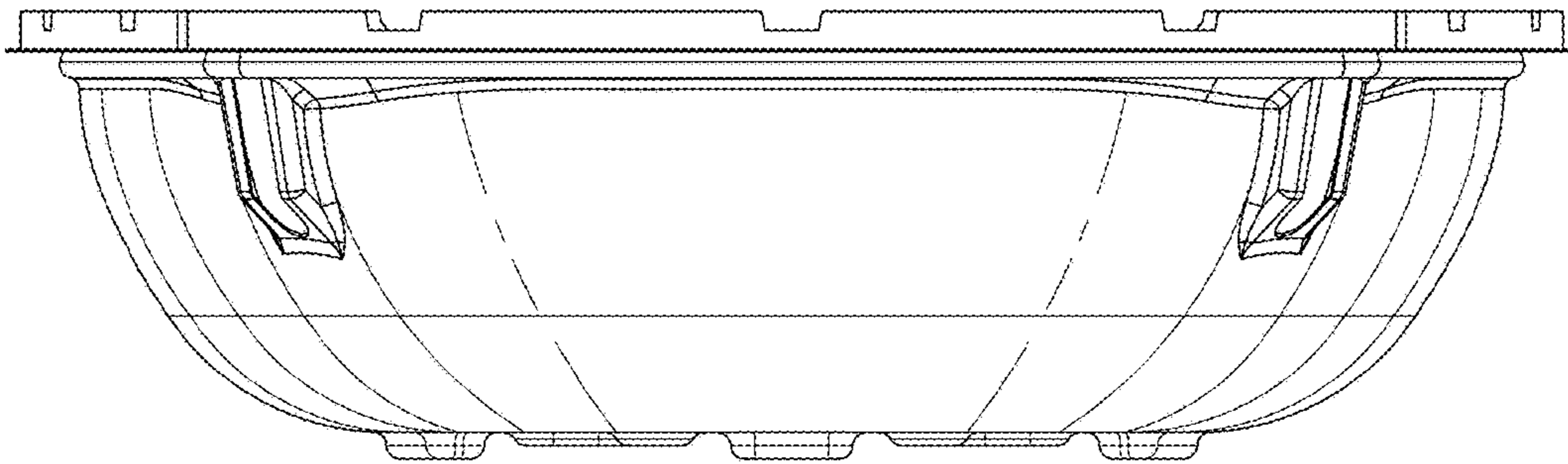


FIG. 5

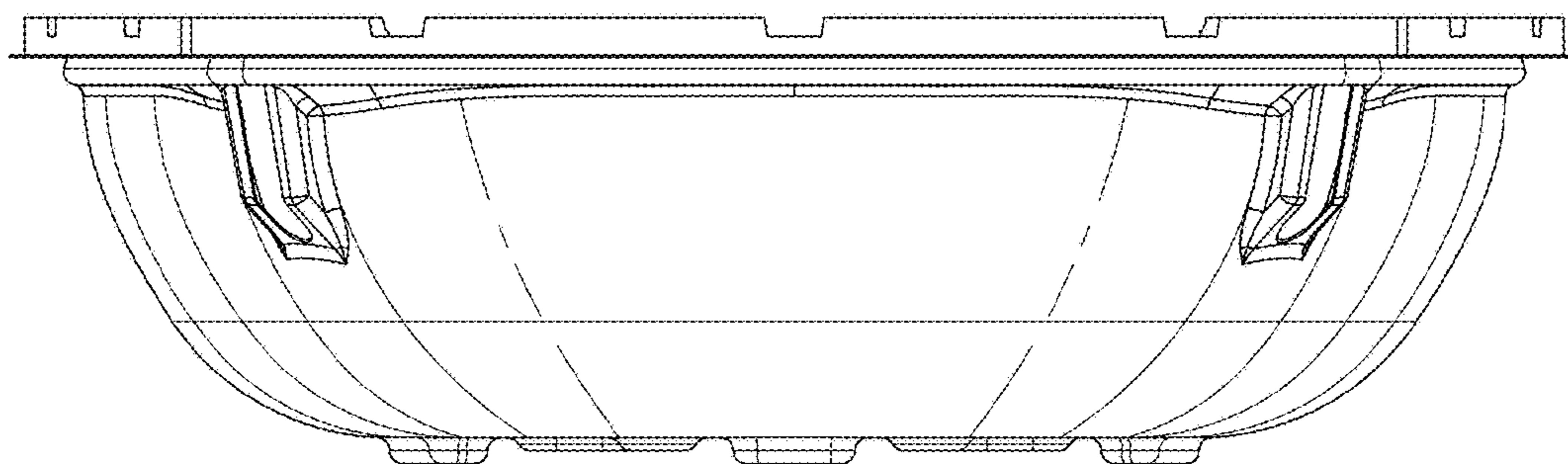


FIG. 6

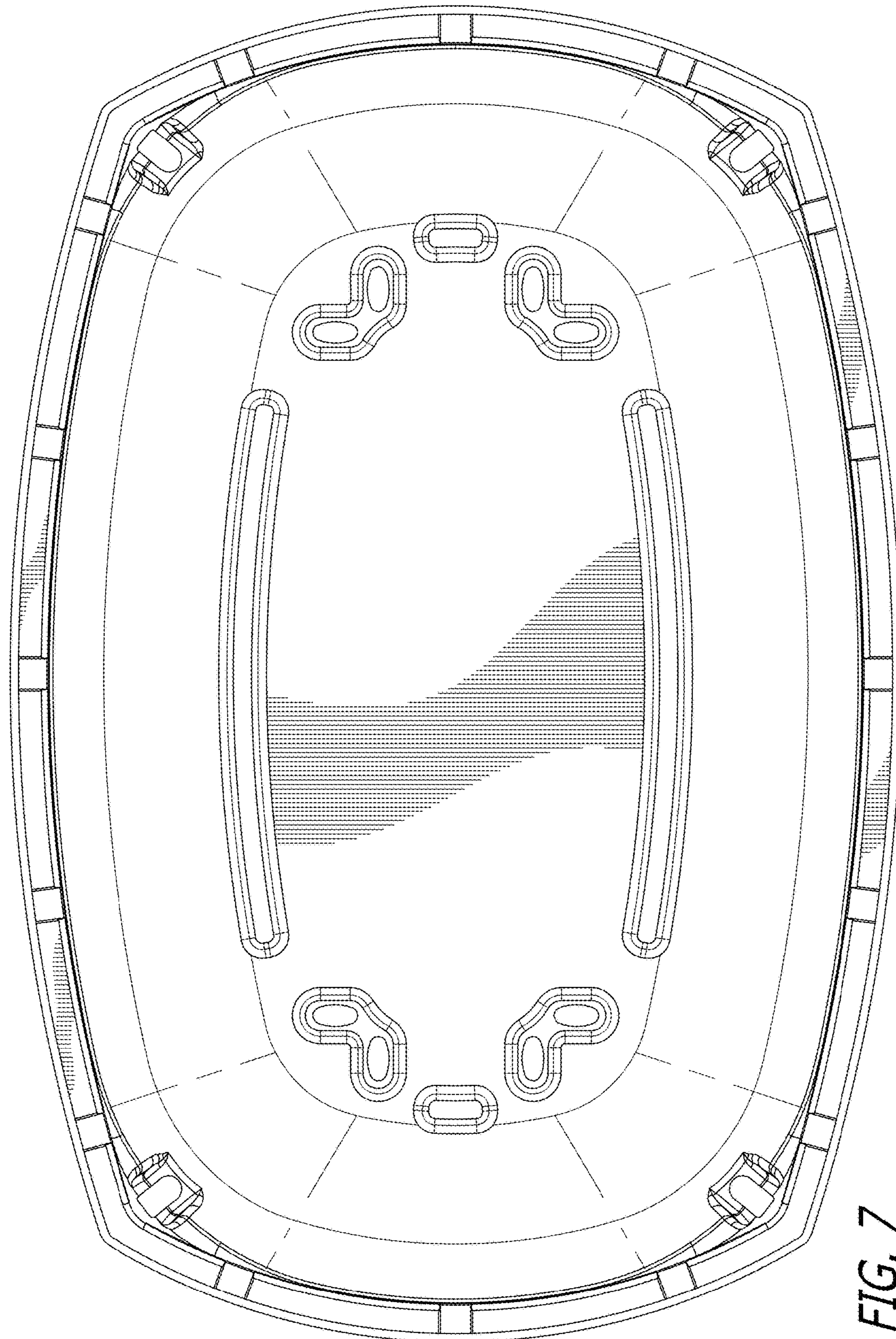


FIG. 7

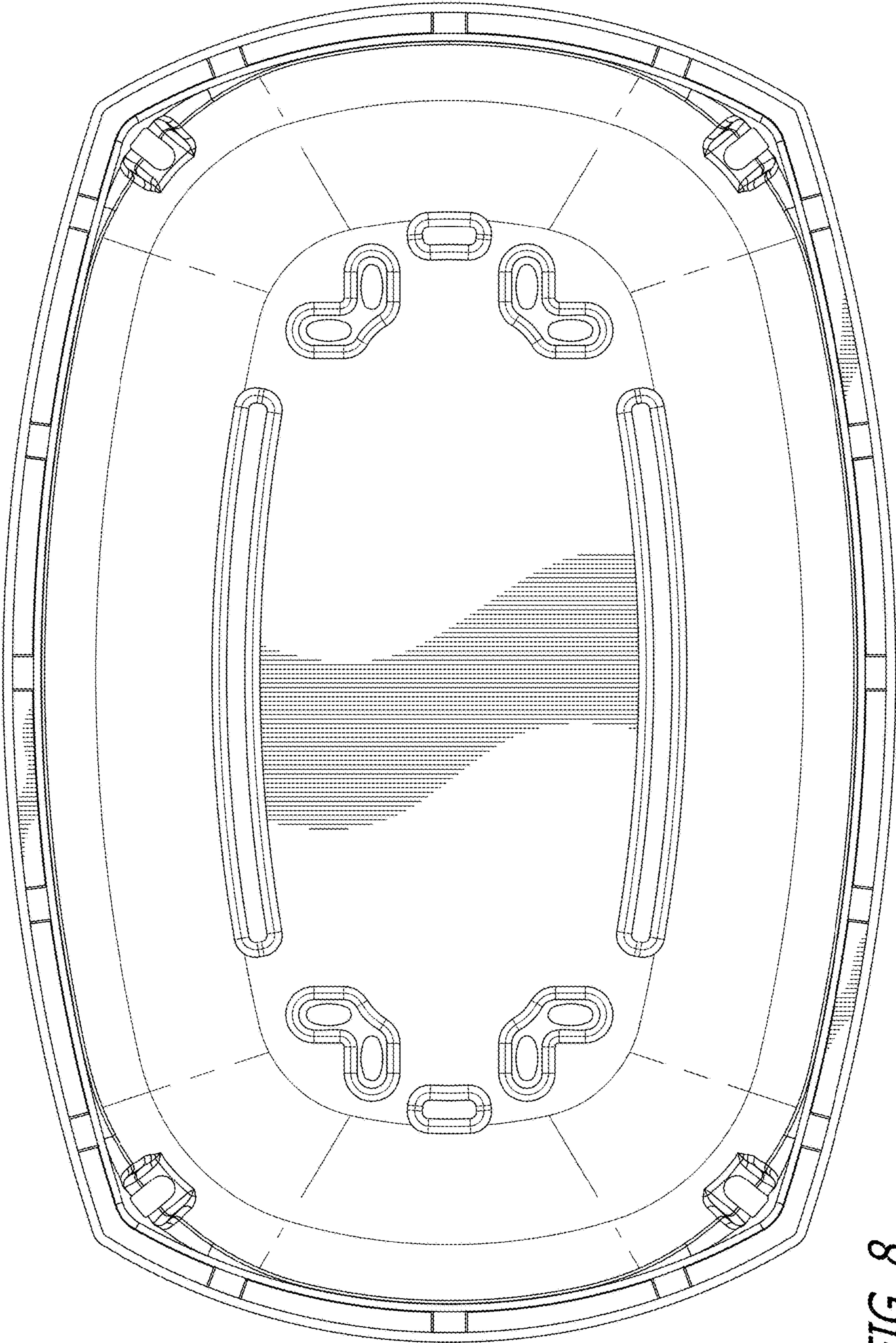


FIG. 8