



US00D789785S

(12) **United States Design Patent**
Fujiwara

(10) **Patent No.:** **US D789,785 S**
(45) **Date of Patent:** **** Jun. 20, 2017**

(54) **PACKAGING CONTAINER FOR SMALL ARTICLES**

(74) *Attorney, Agent, or Firm* — Hamre, Schumann, Mueller & Larson, P.C.

(71) Applicant: **CLOVER MFG. CO., LTD.**,
Osaka-shi, Osaka (JP)

(57) **CLAIM**

(72) Inventor: **Yasuhiro Fujiwara**, Osaka (JP)

The ornamental design for a packaging container for small articles, as shown and described.

(73) Assignee: **CLOVER MFG. CO., LTD.**, Osaka (JP)

DESCRIPTION

(**) Term: **15 Years**

FIG. 1 is a top, front, and right perspective view of a packaging container for small articles with its lid closed, showing my new design;

(21) Appl. No.: **29/552,132**

FIG. 2 is a top plan view of the same closed container;

(22) Filed: **Jan. 20, 2016**

FIG. 3 is a front view of the same closed container;

(30) **Foreign Application Priority Data**

Jul. 30, 2015 (JP) 2015-016986

FIG. 4 is a bottom plan view of the same closed container;

(51) **LOC (10) Cl.** **09-03**

FIG. 5 is a rear view of the same closed container;

(52) **U.S. Cl.**

USPC **D9/424; D9/432**

FIG. 6 is a right side view of the same closed container, which is symmetrical to a left side view;

(58) **Field of Classification Search**

USPC D9/414-434, 442-445, 456, 457, 542, D9/563, 600, 614-624, 655, 657, 658, D9/661, 695, 697-699, 707, 708, 711, D9/759, 772-776; D3/273, 276, 304, D3/310-313; D7/601, 602

FIG. 7 is a sectional view of the same closed container taken along lines 7-7 in FIG. 2;

FIG. 8 is a sectional view of the same closed container taken along lines 8-8 in FIG. 3;

FIG. 9 is a top, front, and right perspective view of the same packaging container with its lid held open;

FIG. 10 is a top plan view of the same open container;

FIG. 11 is a front view of the same open container;

FIG. 12 is a bottom plan view of the same open container;

FIG. 13 is a rear view of the same open container;

FIG. 14 is a right side view of the same open container, which is symmetrical to a left side view;

FIG. 15 is a sectional view of the same open container taken along lines 15-15 in FIG. 10;

FIG. 16 is a sectional view of the same open container taken along lines 16-16 in FIG. 10; and,

FIG. 17 is a sectional view of the same open container taken along lines 17-17 in FIG. 11.

The broken lines in the figures are for illustrating portions of the article that form no part of the claimed design.

(Continued)

(56) **References Cited**

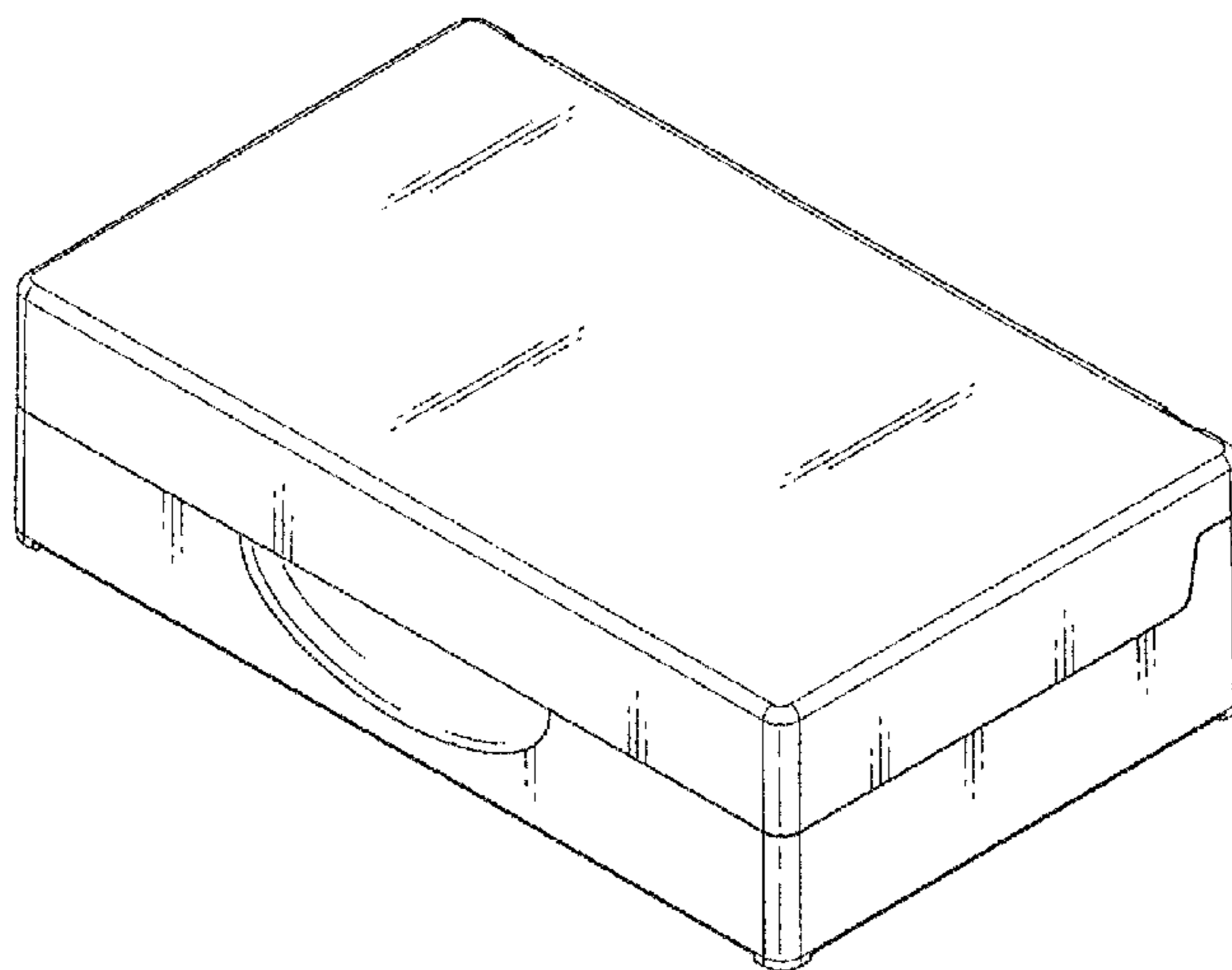
U.S. PATENT DOCUMENTS

3,018,942 A * 1/1962 Arneson B65D 5/0227
229/160.1
3,497,907 A * 3/1970 Colina F16C 11/04
16/257

(Continued)

Primary Examiner — Vy Koenig
Assistant Examiner — Omeed Agilee

1 Claim, 10 Drawing Sheets



(58) **Field of Classification Search**

CPC B65D 5/00; B65D 5/001; B65D 5/0015;
B65D 5/1209; B65D 5/0227-5/0254;
B65D 5/18

See application file for complete search history.

(56) **References Cited**

U.S. PATENT DOCUMENTS

D336,245	S	*	6/1993	Savas	D9/433
D376,759	S	*	12/1996	Bradfield	D9/432
D395,600	S	*	6/1998	Borghorst	D9/432
D502,812	S	*	3/2005	Zimmerman	D3/297
D573,458	S	*	7/2008	Anderson	D9/418
D583,660	S	*	12/2008	Steiger	D9/432
D587,996	S	*	3/2009	Steiger	D9/432
D606,855	S	*	12/2009	Jo	D9/423
D618,694	S	*	6/2010	Andre	D14/480.6
D666,773	S	*	9/2012	Greenfield	D28/83
D675,020	S	*	1/2013	Mu	D3/302
D686,491	S	*	7/2013	Kuo	D9/432
D695,605	S	*	12/2013	Johnson	D9/423
D696,107	S	*	12/2013	Kimble	D9/416
D721,575	S	*	1/2015	Paboojian	D9/423
D757,538	S	*	5/2016	Tam	D9/432

* cited by examiner

Fig. 1

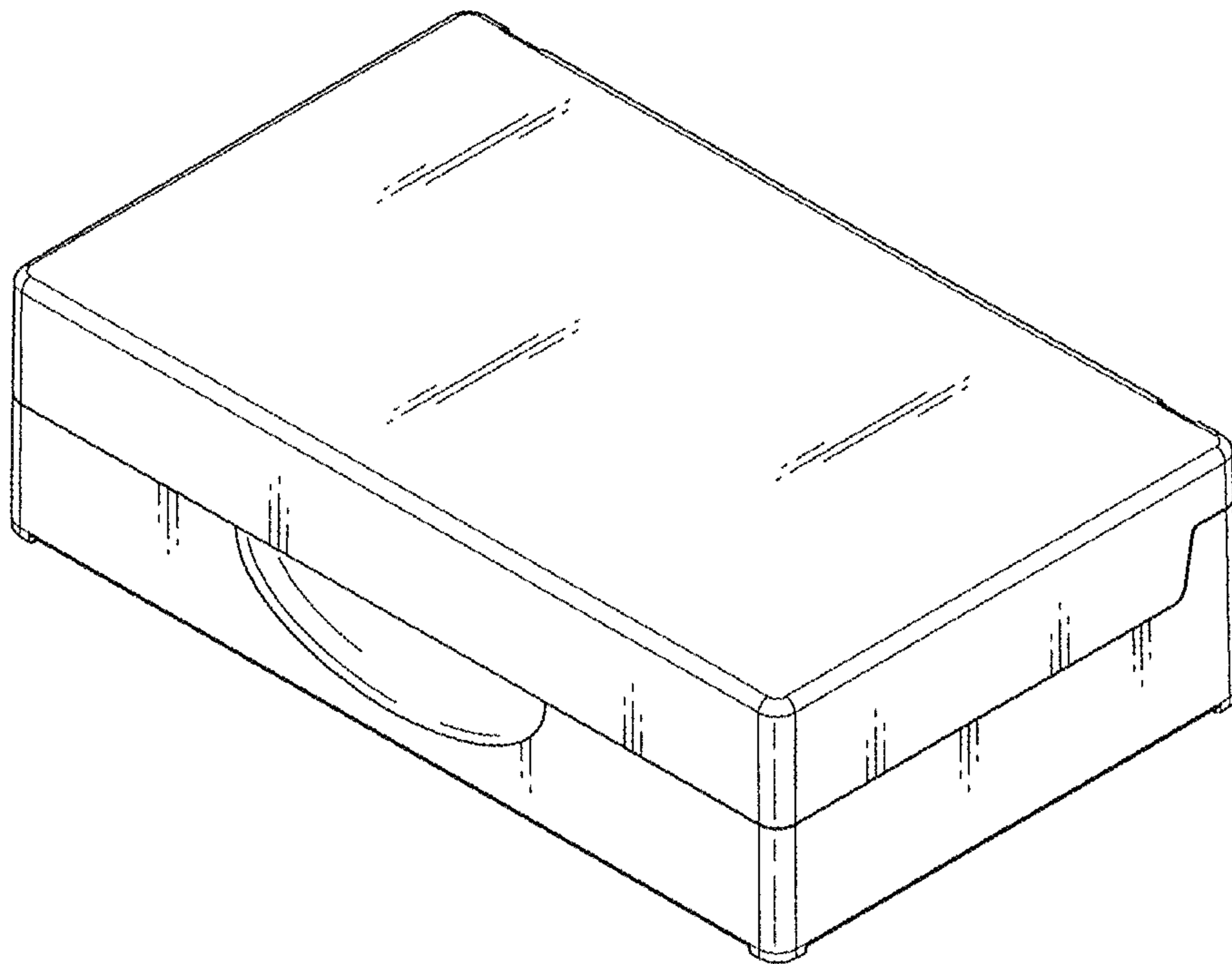


Fig. 2

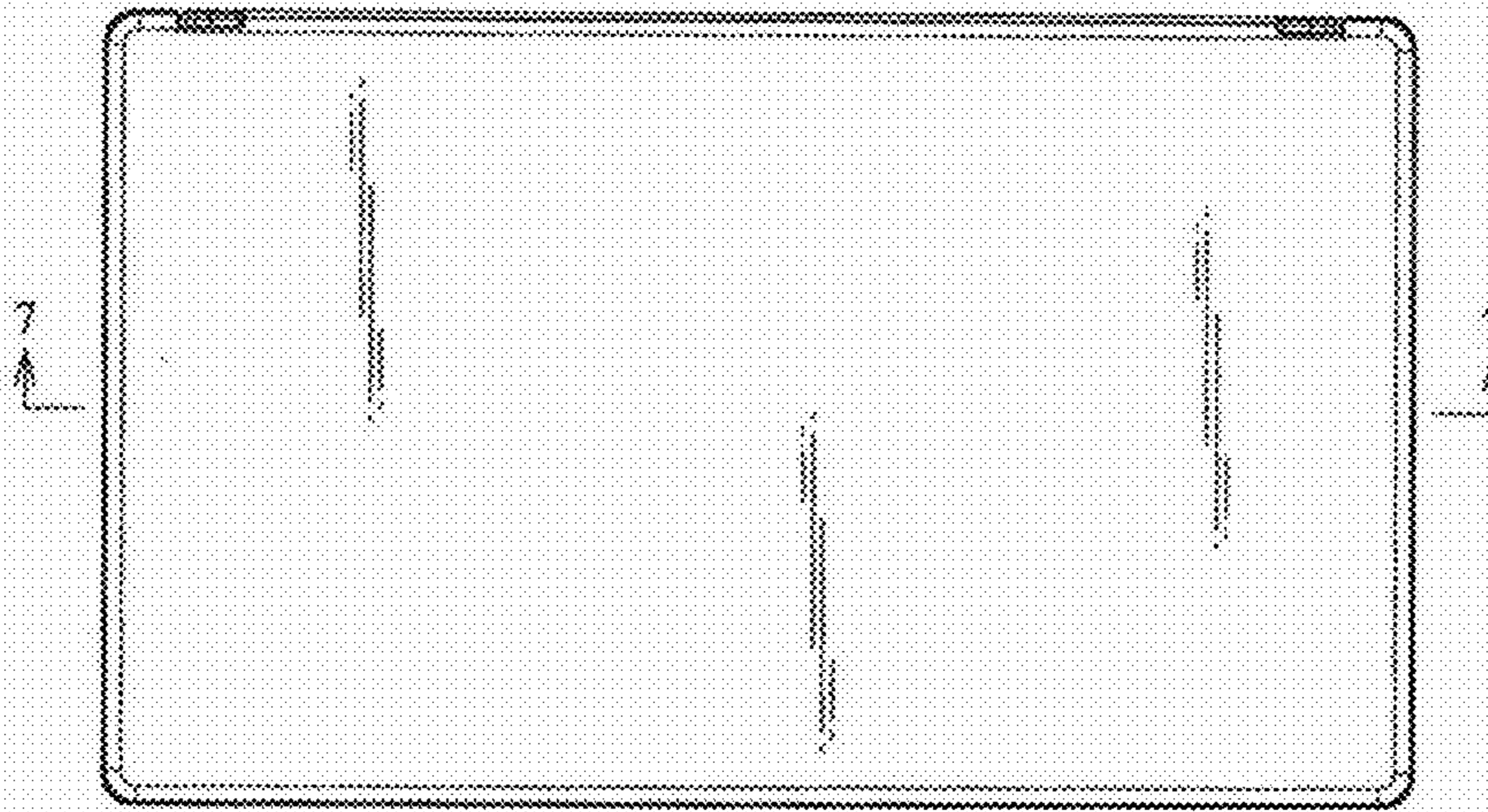


Fig. 3

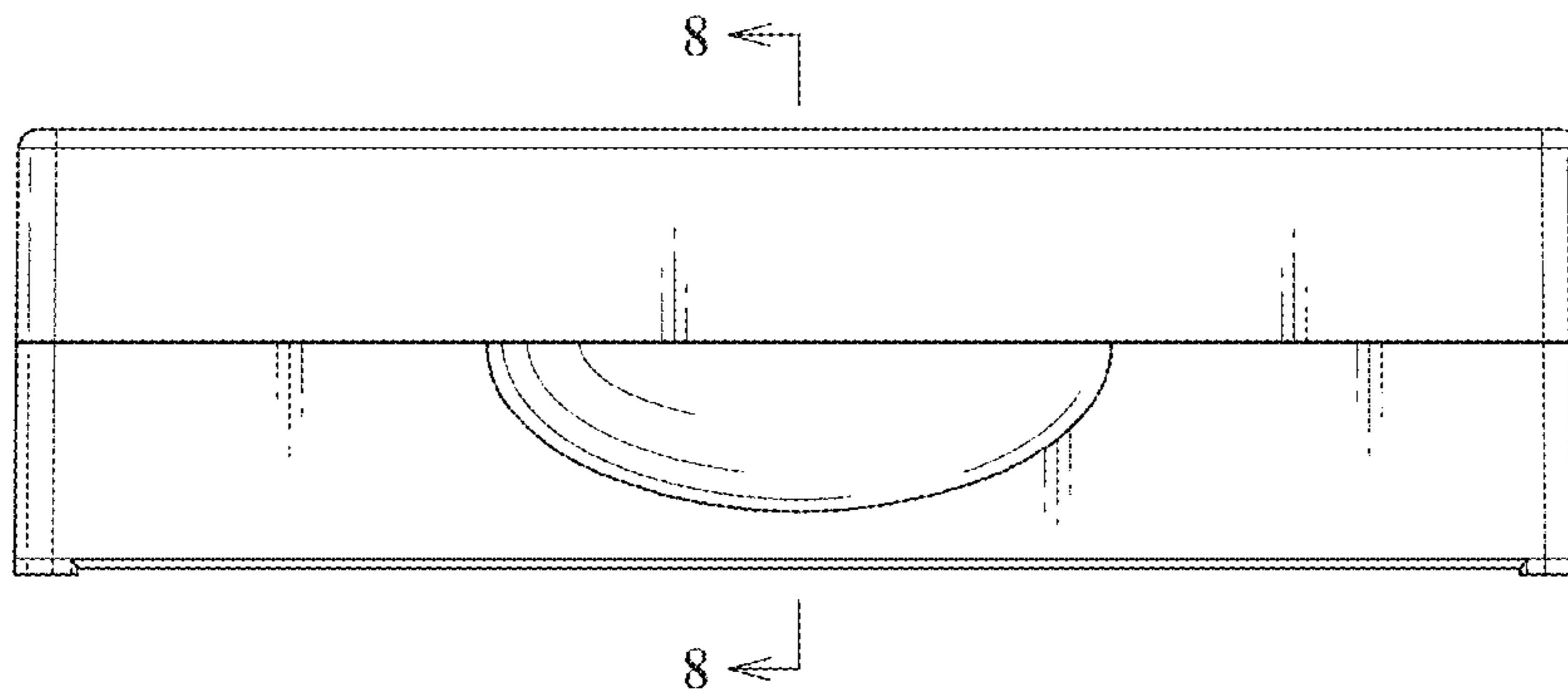


Fig. 4

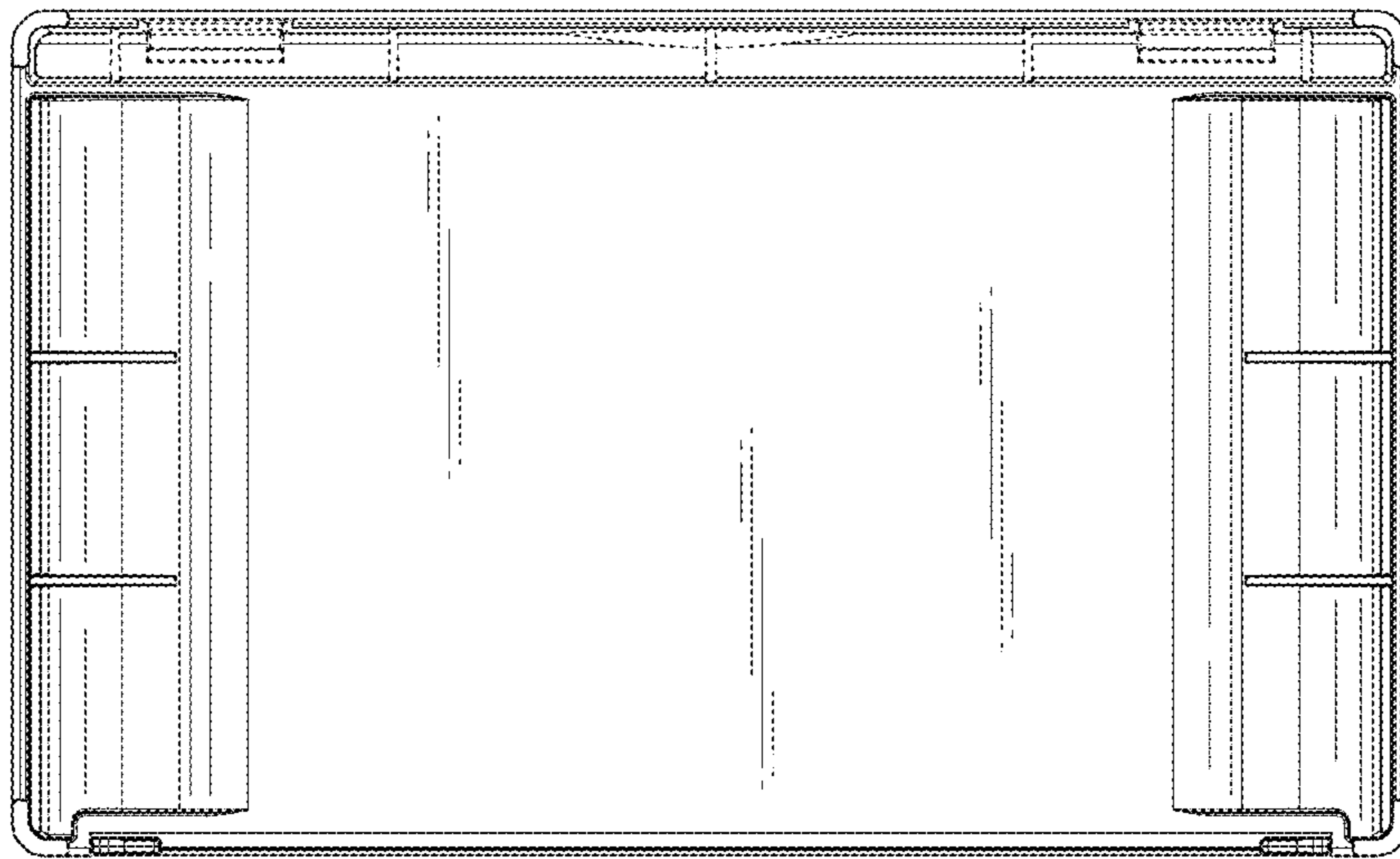


Fig. 5

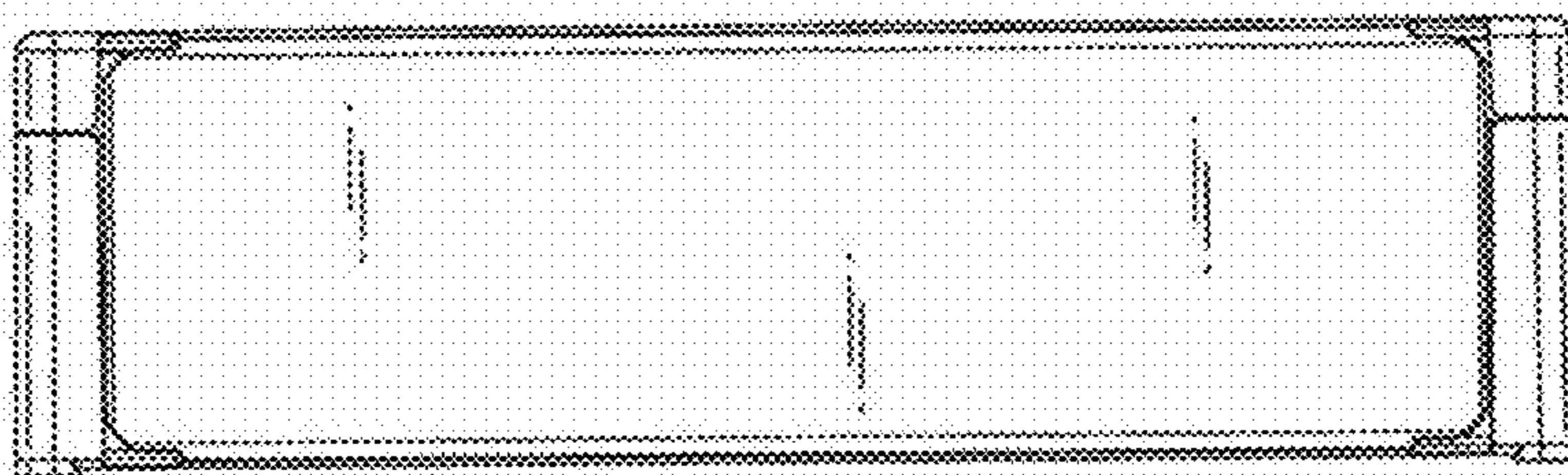


Fig. 6

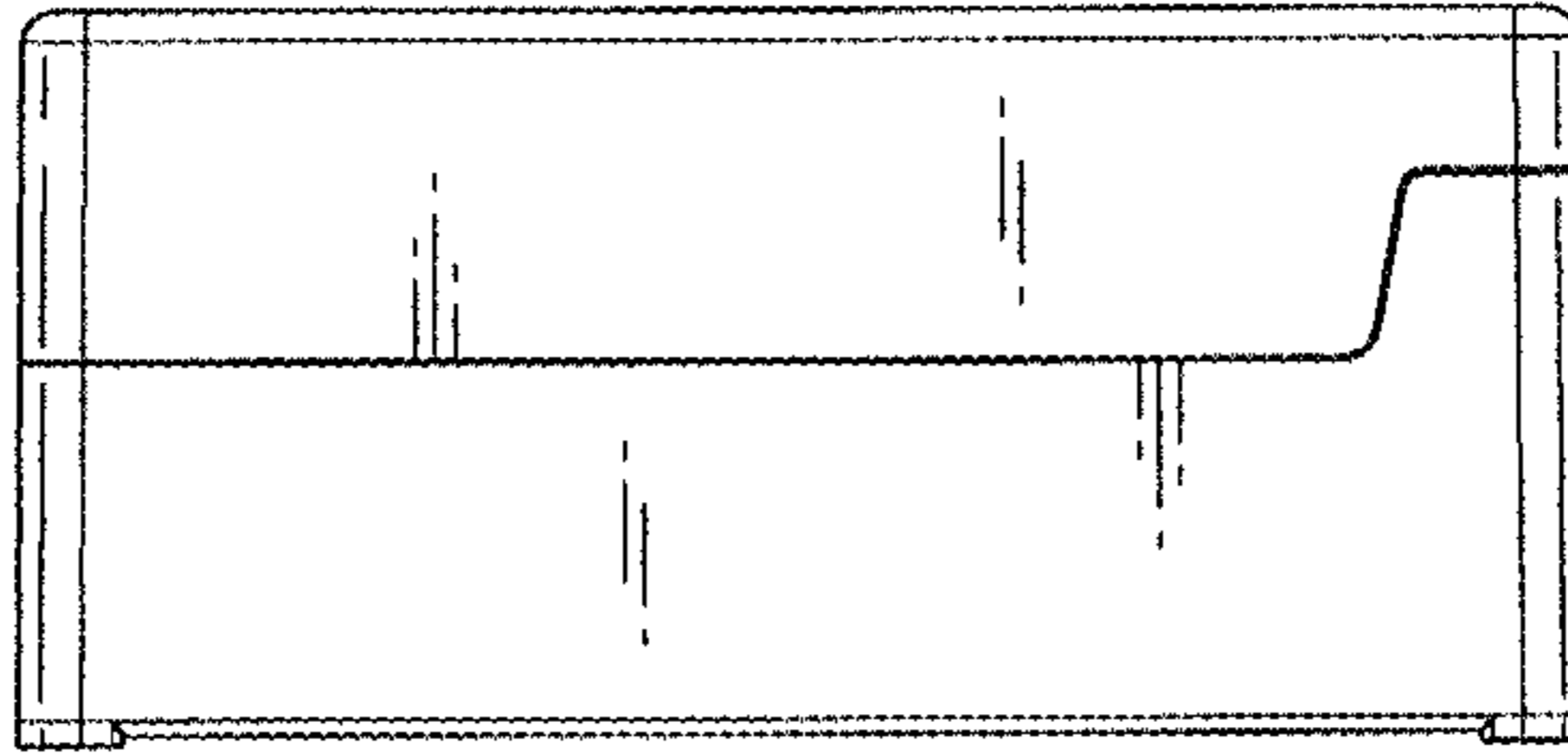


Fig. 7

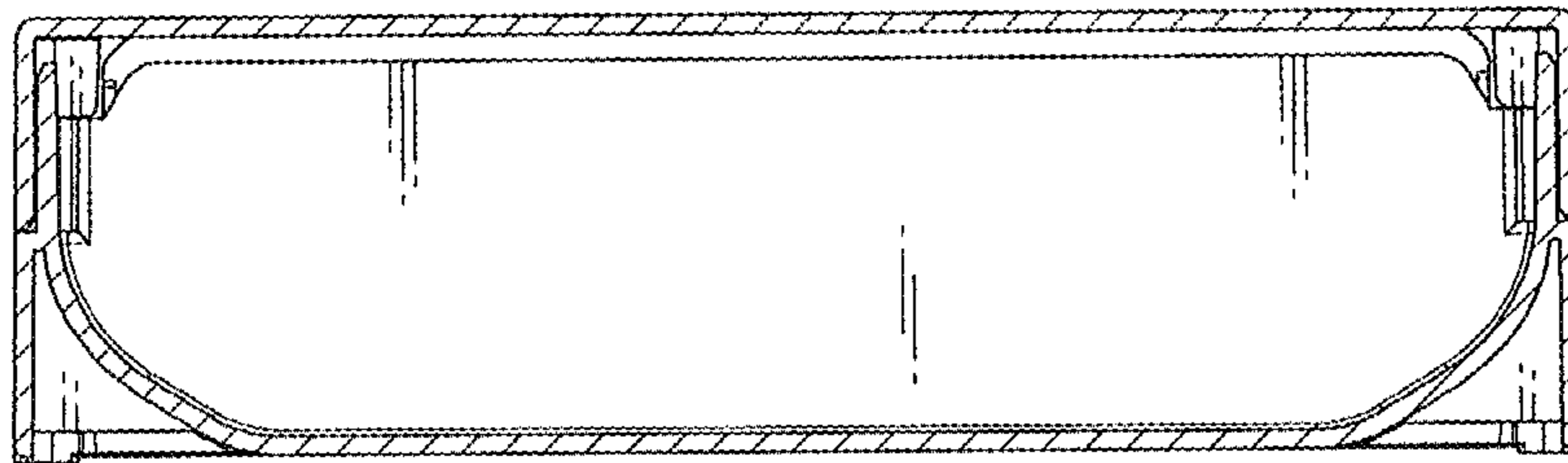


Fig. 8

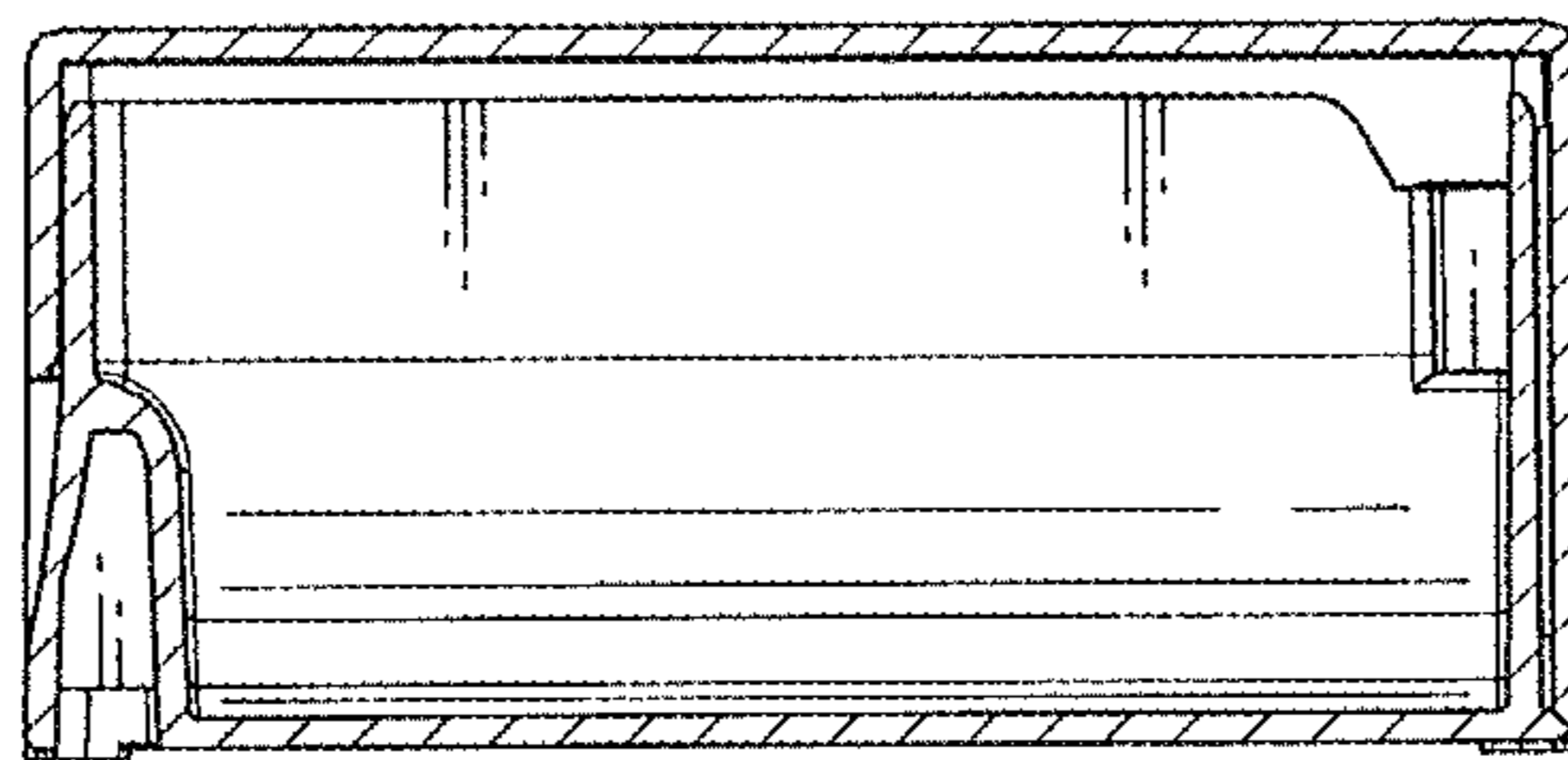


Fig. 9

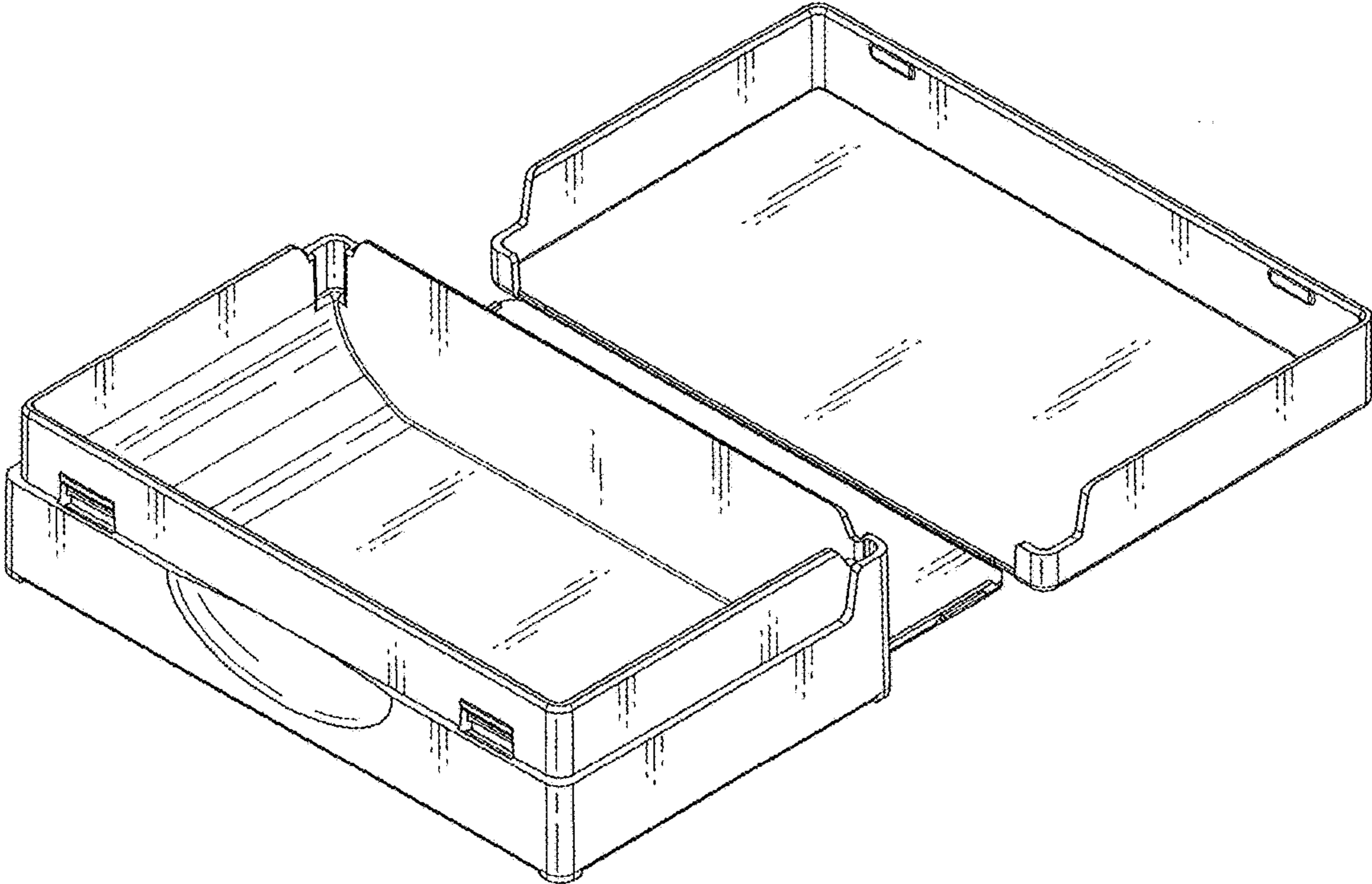


Fig. 10

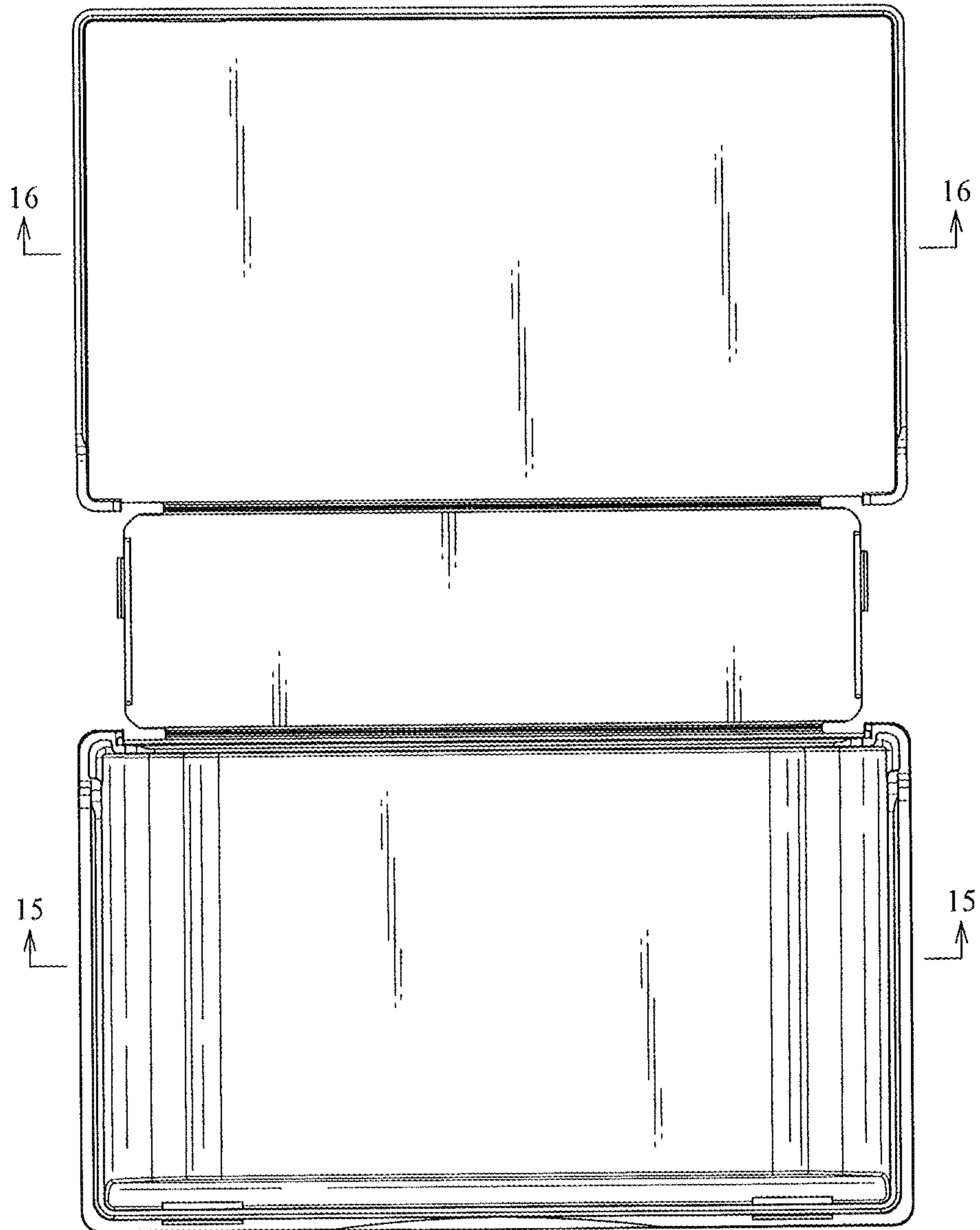


Fig. 11

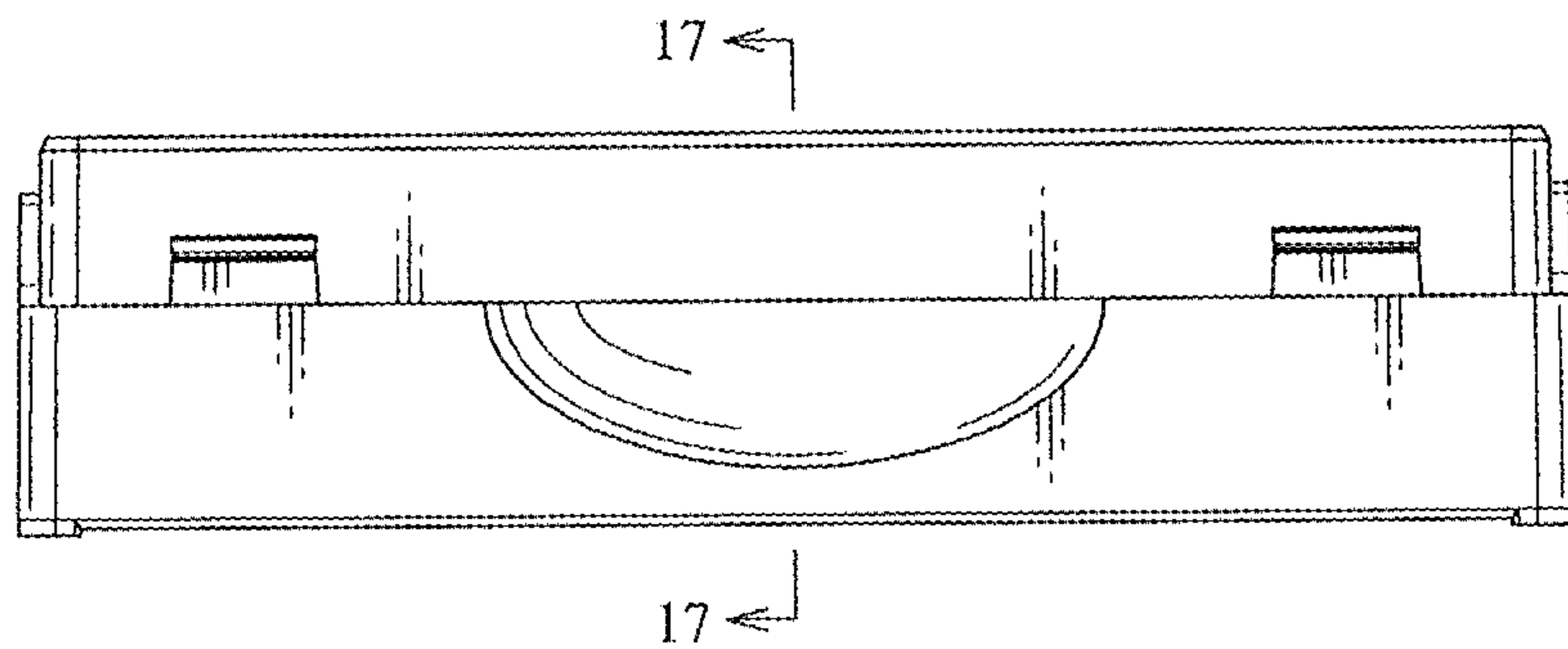


Fig. 12

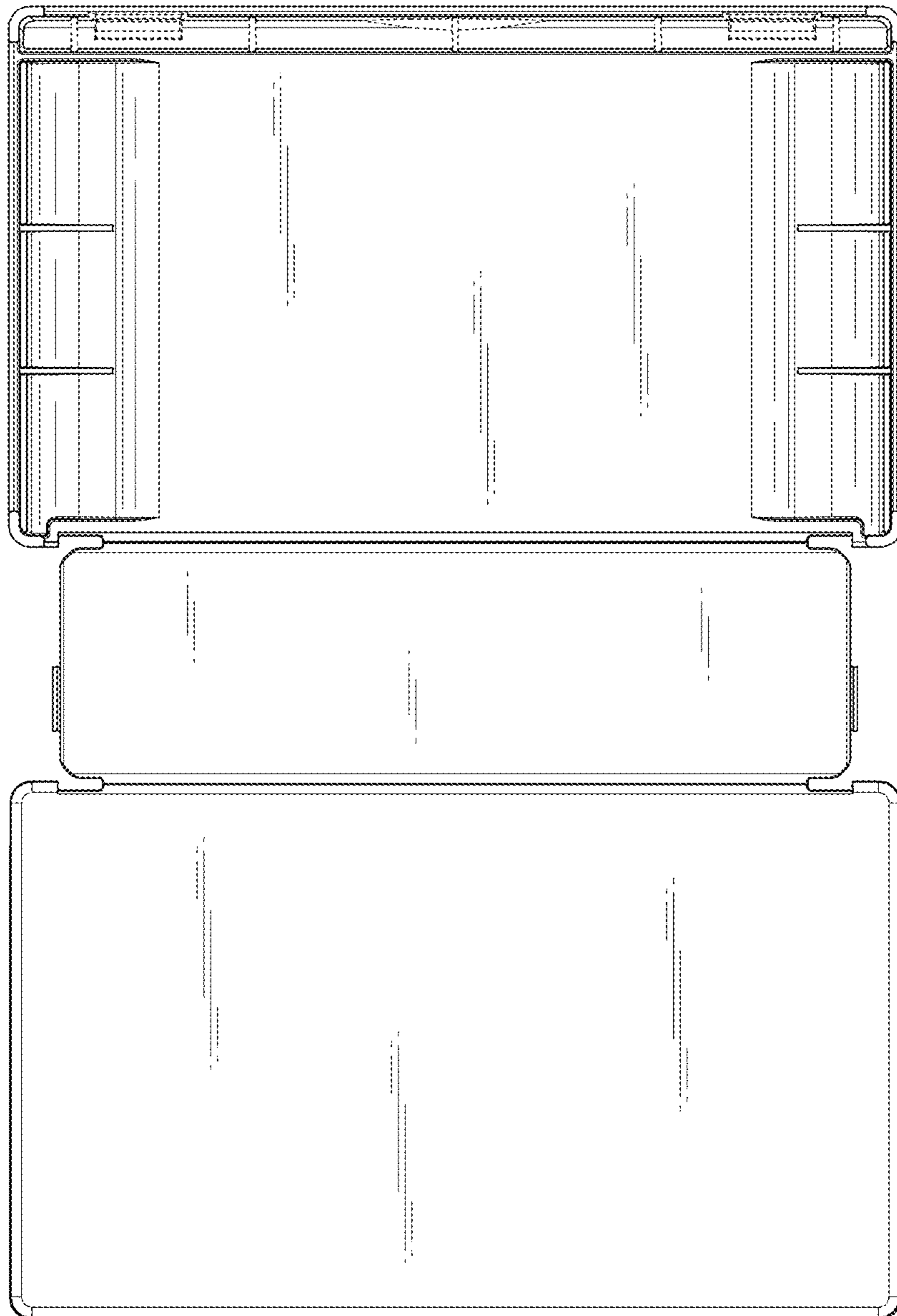


Fig. 13

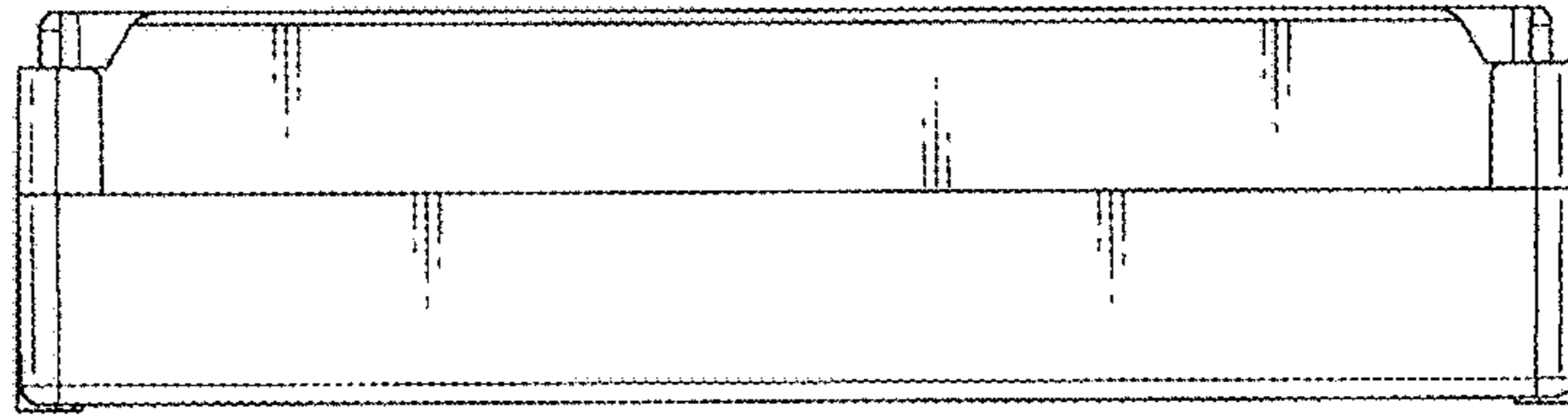


Fig. 14

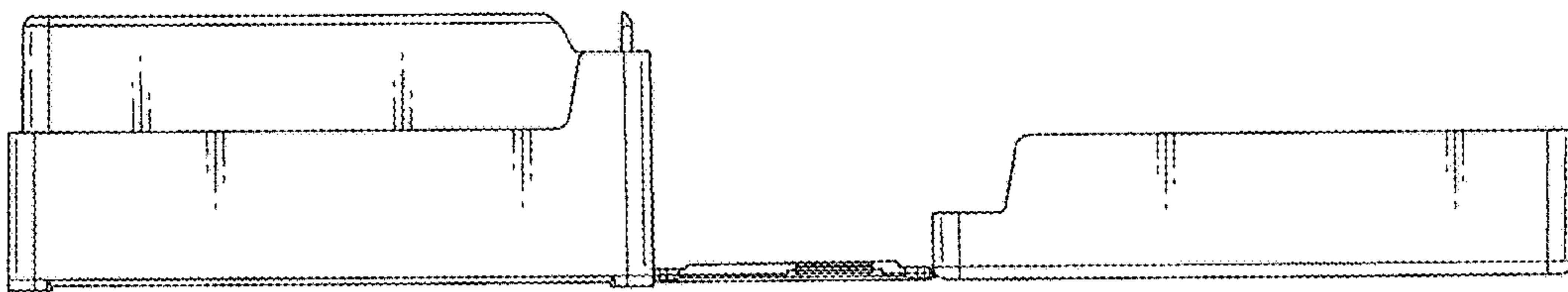


Fig. 15

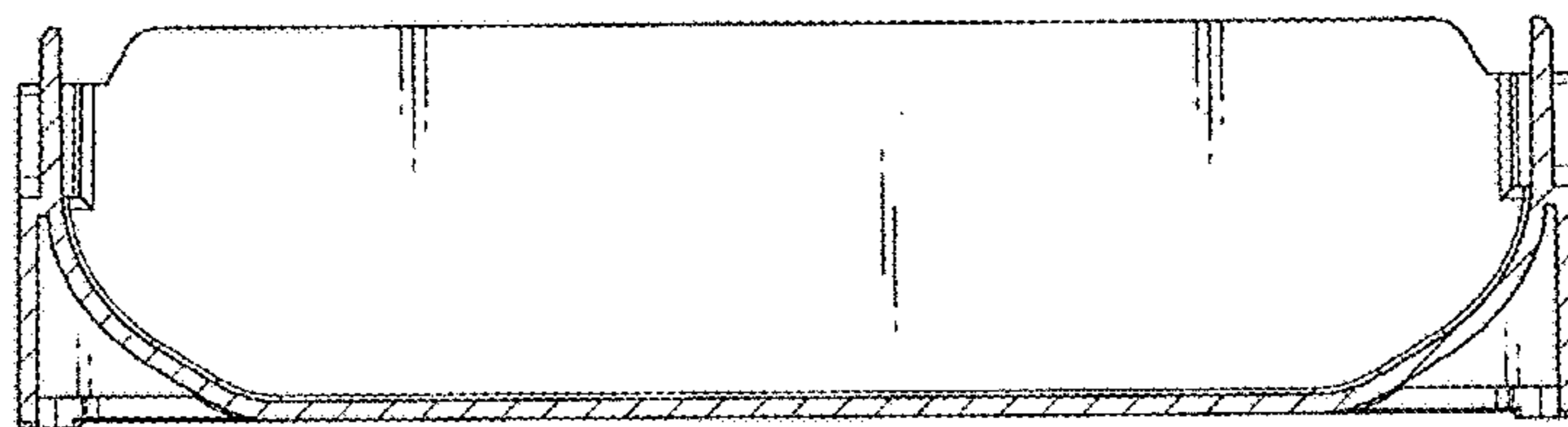


Fig. 16

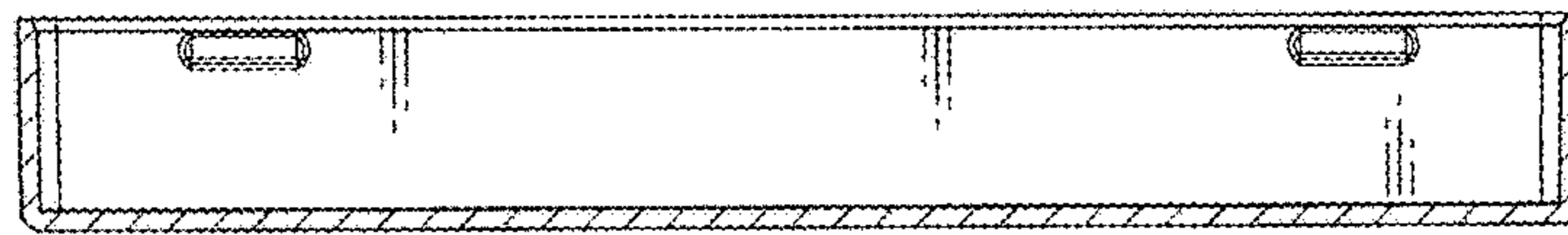


Fig. 17

