



US00D789783S

(12) **United States Design Patent** (10) **Patent No.:** **US D789,783 S**  
**DeBusk** (45) **Date of Patent:** **\*\* Jun. 20, 2017**

(54) **FOOD AND BEVERAGE CARRIER**

(71) Applicant: **Patrick DeBusk**, LaRue, TX (US)

(72) Inventor: **Patrick DeBusk**, LaRue, TX (US)

(73) Assignee: **Frankston Packaging Company, LP**,  
Frankston, TX (US)

(\*\*) Term: **14 Years**

(21) Appl. No.: **29/489,112**

(22) Filed: **Apr. 25, 2014**

(51) **LOC (10) Cl.** ..... **09-03**

(52) **U.S. Cl.**

USPC ..... **D9/418; D9/431**

(58) **Field of Classification Search**

USPC ..... D9/414-419, 420-425, 428, 429-435,  
D9/600, 652, 667-679, 708, 719, 734;  
D3/203.2, 272, 273, 294, 302-304;  
D7/538-542, 601, 602, 629  
CPC ... B65D 5/02; B65D 5/18; B65D 5/20; B65D  
5/24; B65D 5/28; B65D 5/30; B65D  
5/40; B65D 5/42; B65D 5/46; B65D  
5/70; B65D 5/74

See application file for complete search history.

(56) **References Cited**

**U.S. PATENT DOCUMENTS**

D242,901 S \* 1/1977 Lohrbach ..... D9/432  
D267,475 S \* 1/1983 Maroszek ..... D9/418  
4,397,393 A \* 8/1983 Pergande ..... B65D 5/46088  
206/216  
D346,738 S \* 5/1994 Kinigakis ..... D9/418

D442,859 S \* 5/2001 Hirschey ..... D9/418  
D466,406 S \* 12/2002 Solland ..... D9/415  
D488,062 S \* 4/2004 Shannon ..... D9/415  
D576,482 S 9/2008 DeBusk  
D618,543 S \* 6/2010 Polaski ..... D9/418  
D646,161 S \* 10/2011 Goldberg ..... D9/431  
D692,753 S \* 11/2013 Tuppen ..... D9/431  
D744,825 S \* 12/2015 Johansen ..... D9/418

\* cited by examiner

*Primary Examiner* — Vy Koenig

(74) *Attorney, Agent, or Firm* — Quickpatents, LLC;  
Kevin Prince

(57) **CLAIM**

I claim the ornamental design for a food and beverage carrier, as shown and described.

**DESCRIPTION**

FIG. 1 is a top plan view of a food and beverage carrier, showing my new design in a flat, unassembled configuration;

FIG. 2 is a perspective view thereof, illustrated in an assembled and open configuration;

FIG. 3 is a top plan view of FIG. 2;

FIG. 4 is a perspective view thereof, illustrated in an assembled and closed configuration;

FIG. 5 is a front elevational view of FIG. 4;

FIG. 6 is a rear elevational view of FIG. 4;

FIG. 7 is a left-side elevational view of FIG. 4;

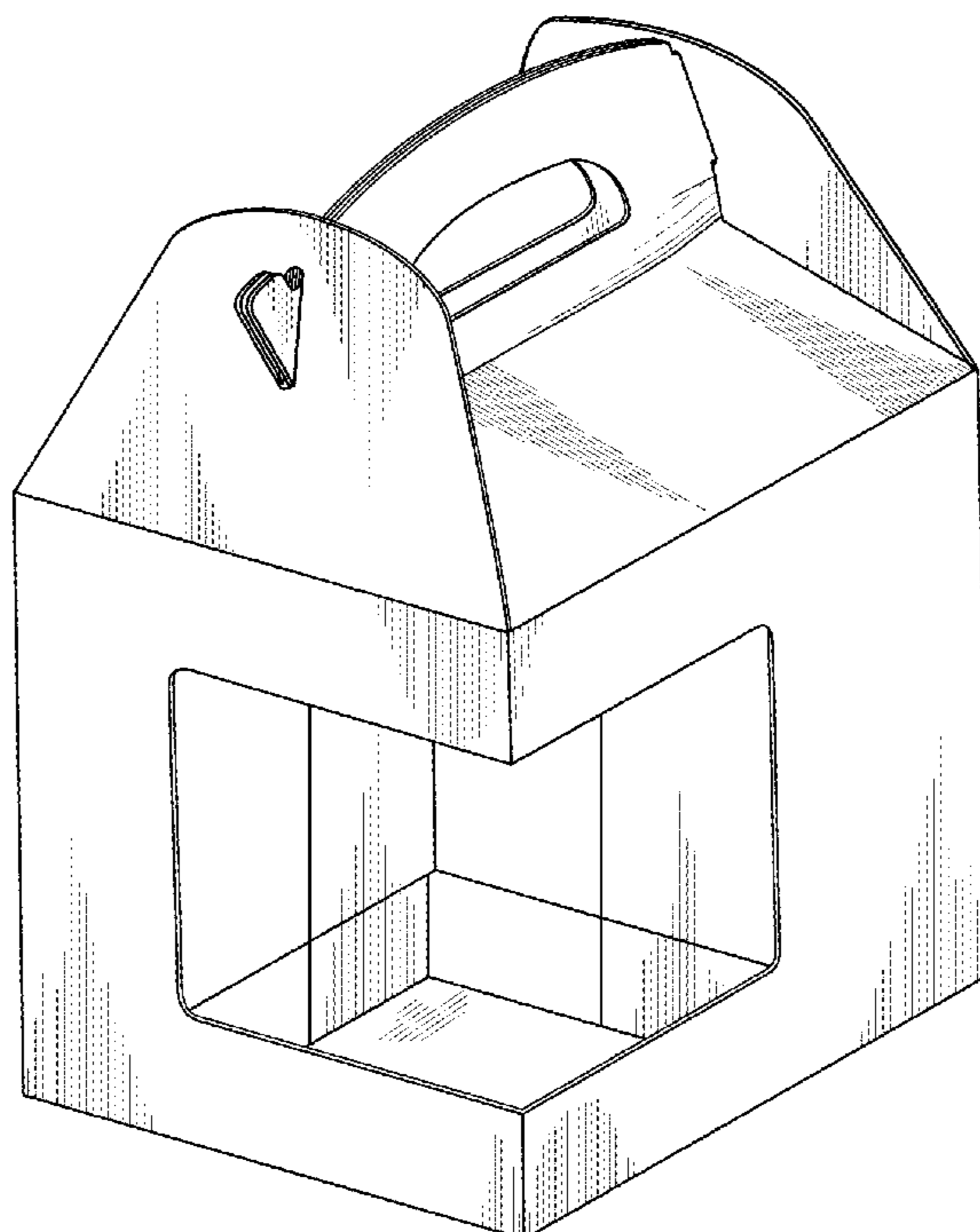
FIG. 8 is a right-side elevational view of FIG. 4;

FIG. 9 is a top plan view of FIG. 4; and,

FIG. 10 is a bottom plan view of FIG. 4.

The broken lines depict perforations and are part of the claimed design.

**1 Claim, 7 Drawing Sheets**



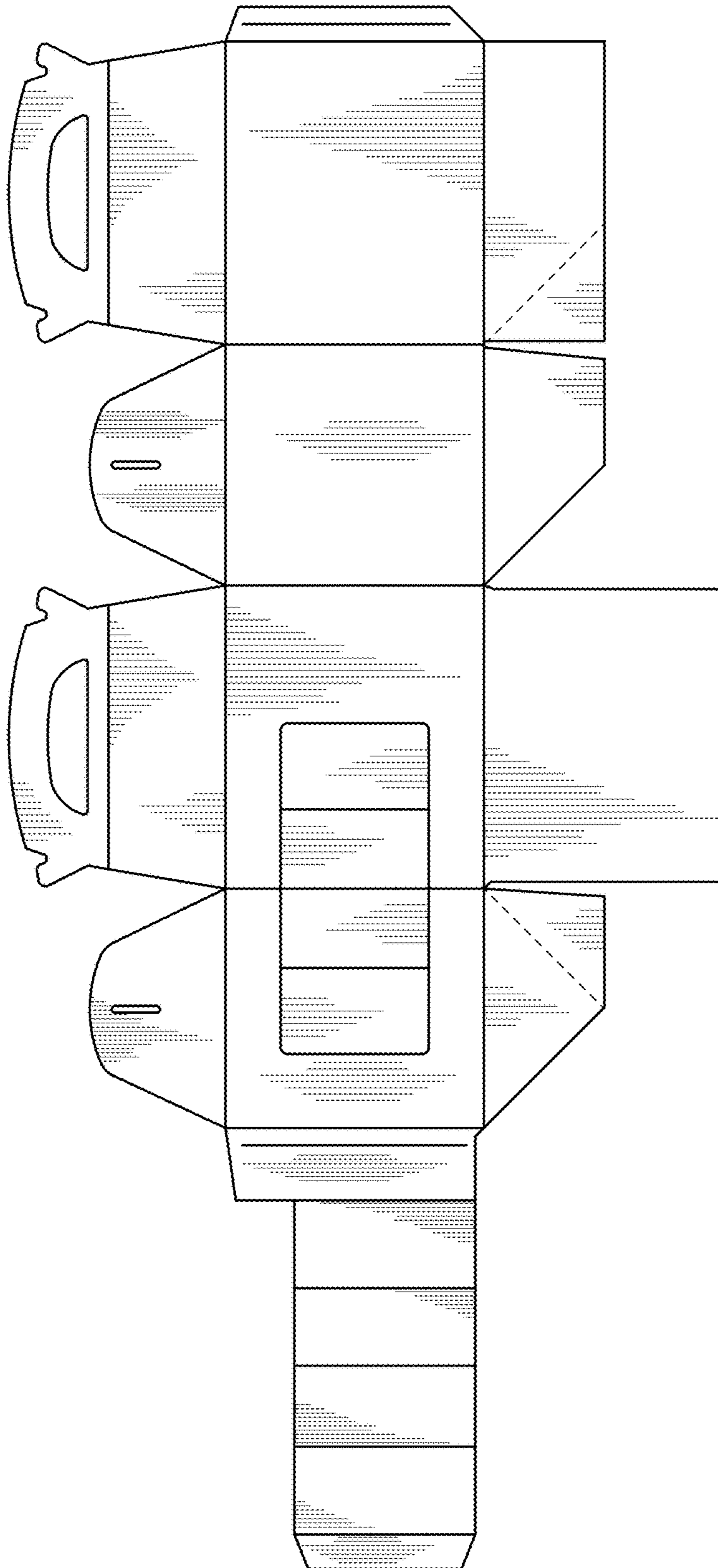


FIG. 1

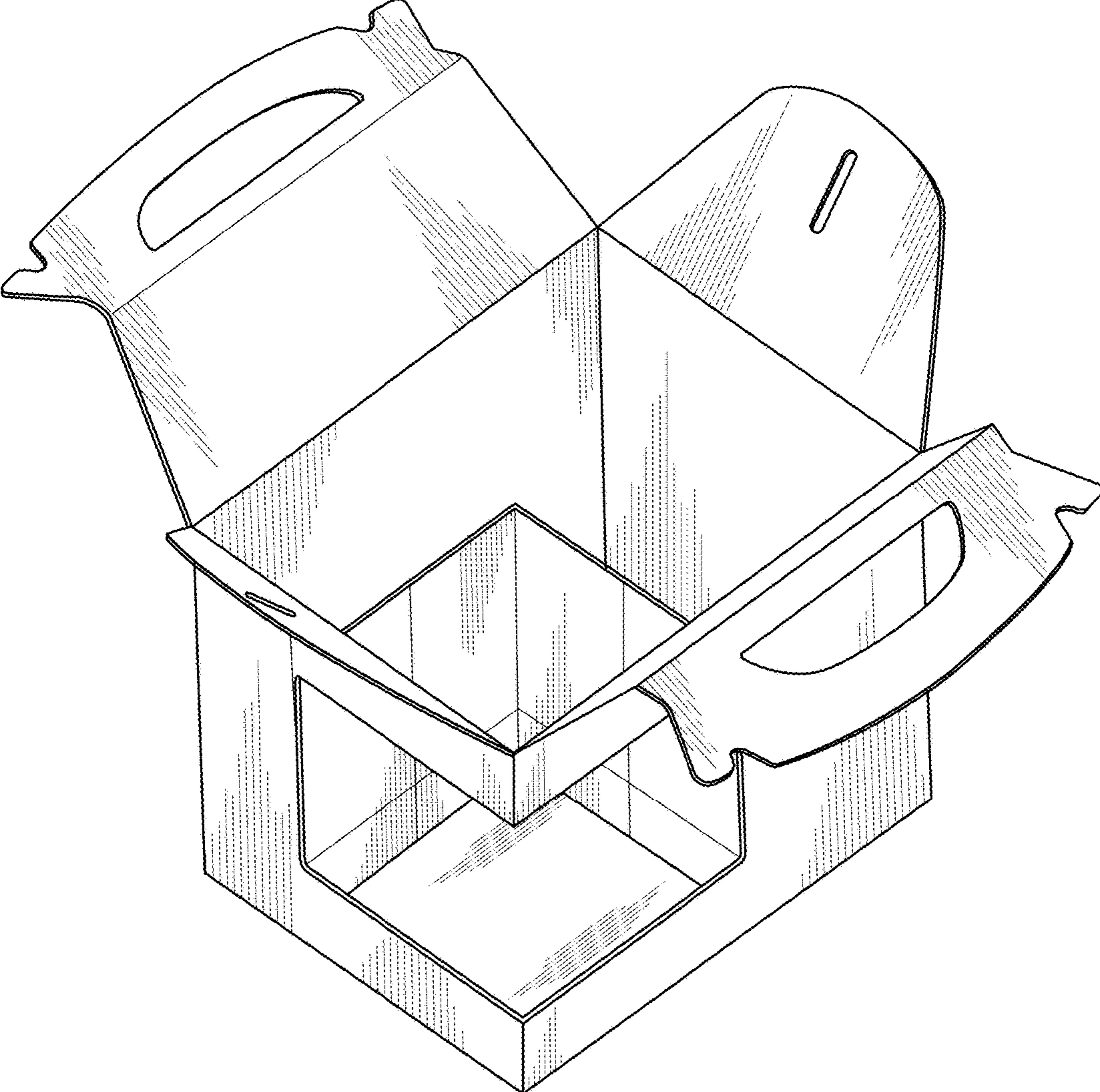


FIG. 2

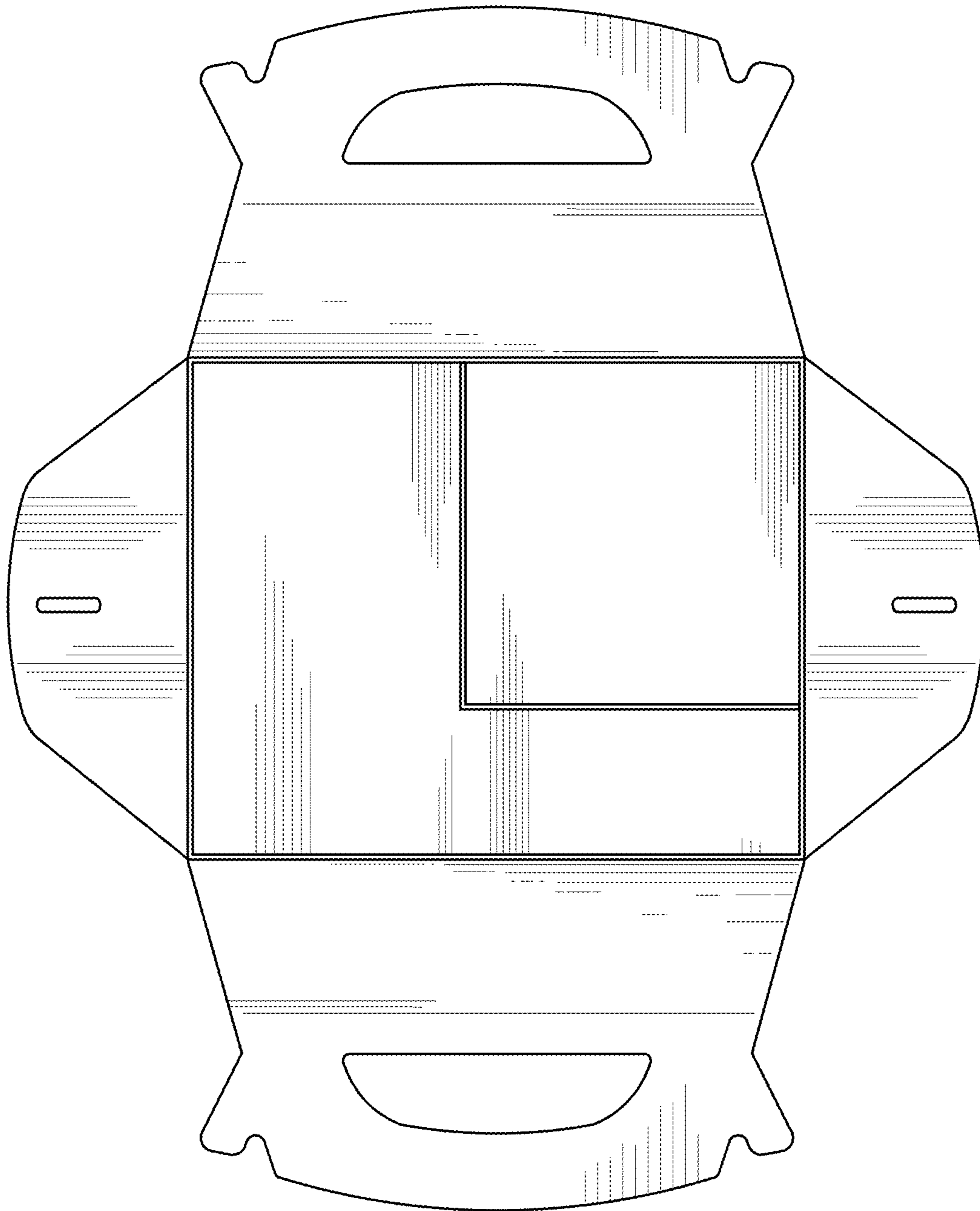


FIG. 3

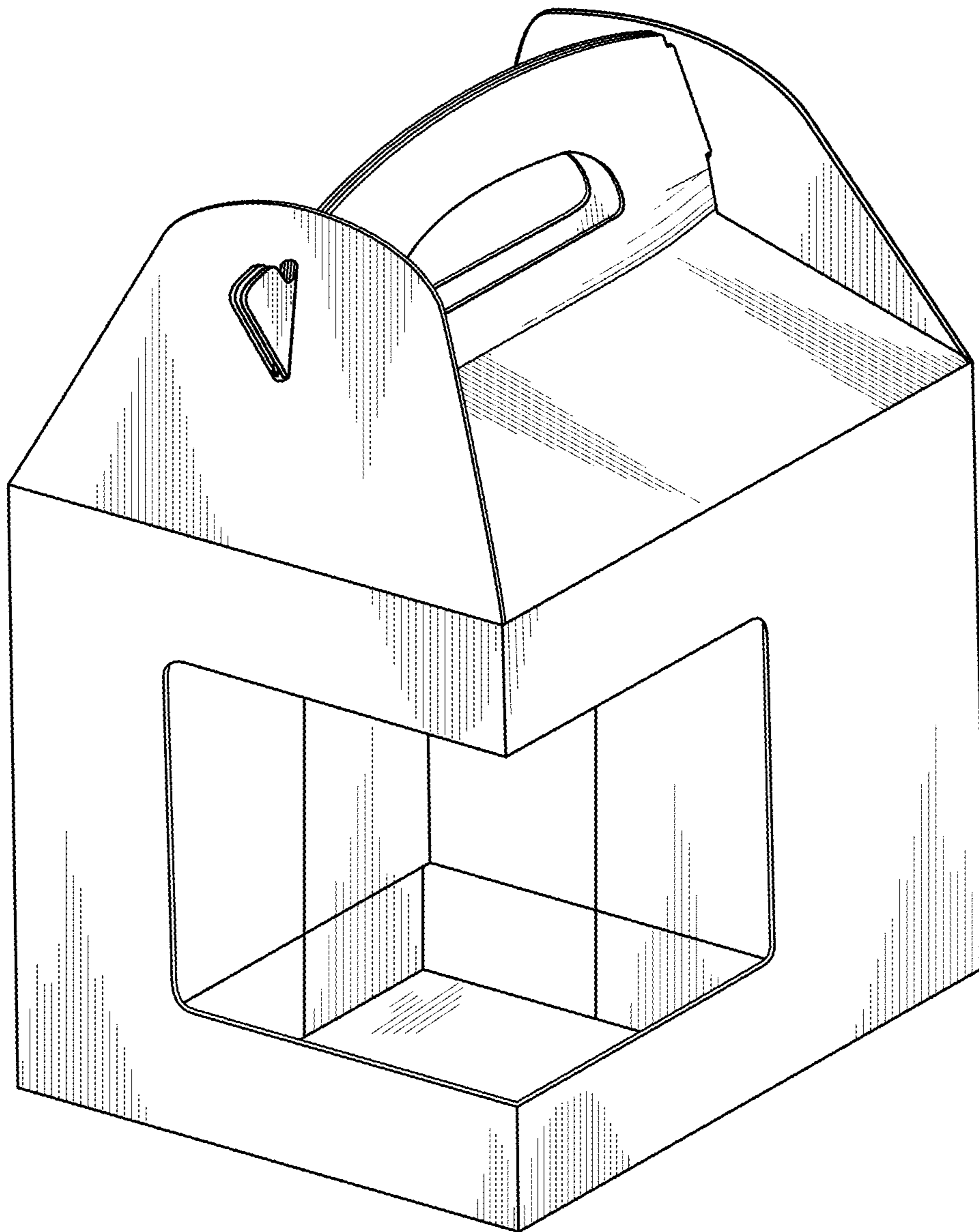


FIG. 4

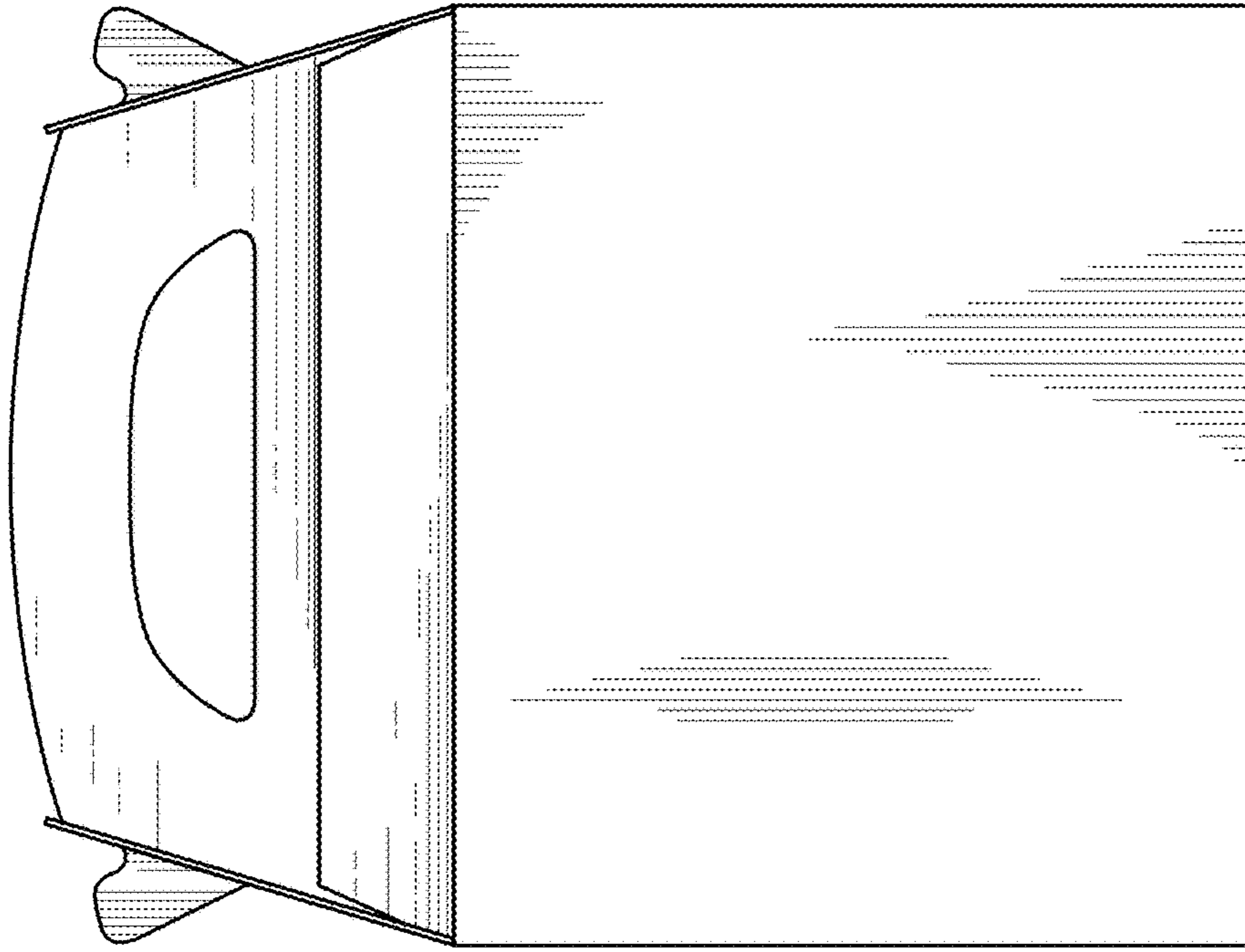


FIG. 5

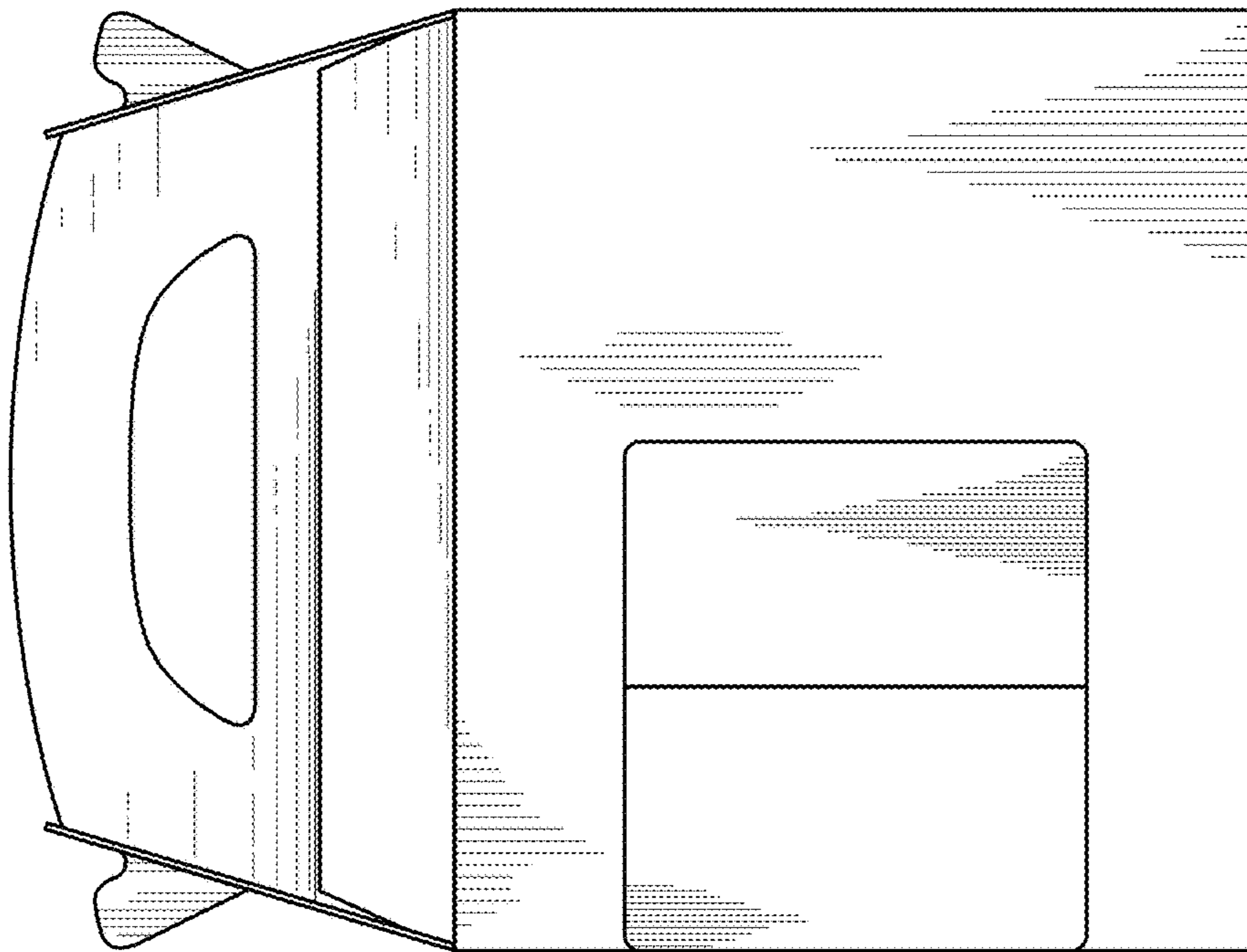


FIG. 6

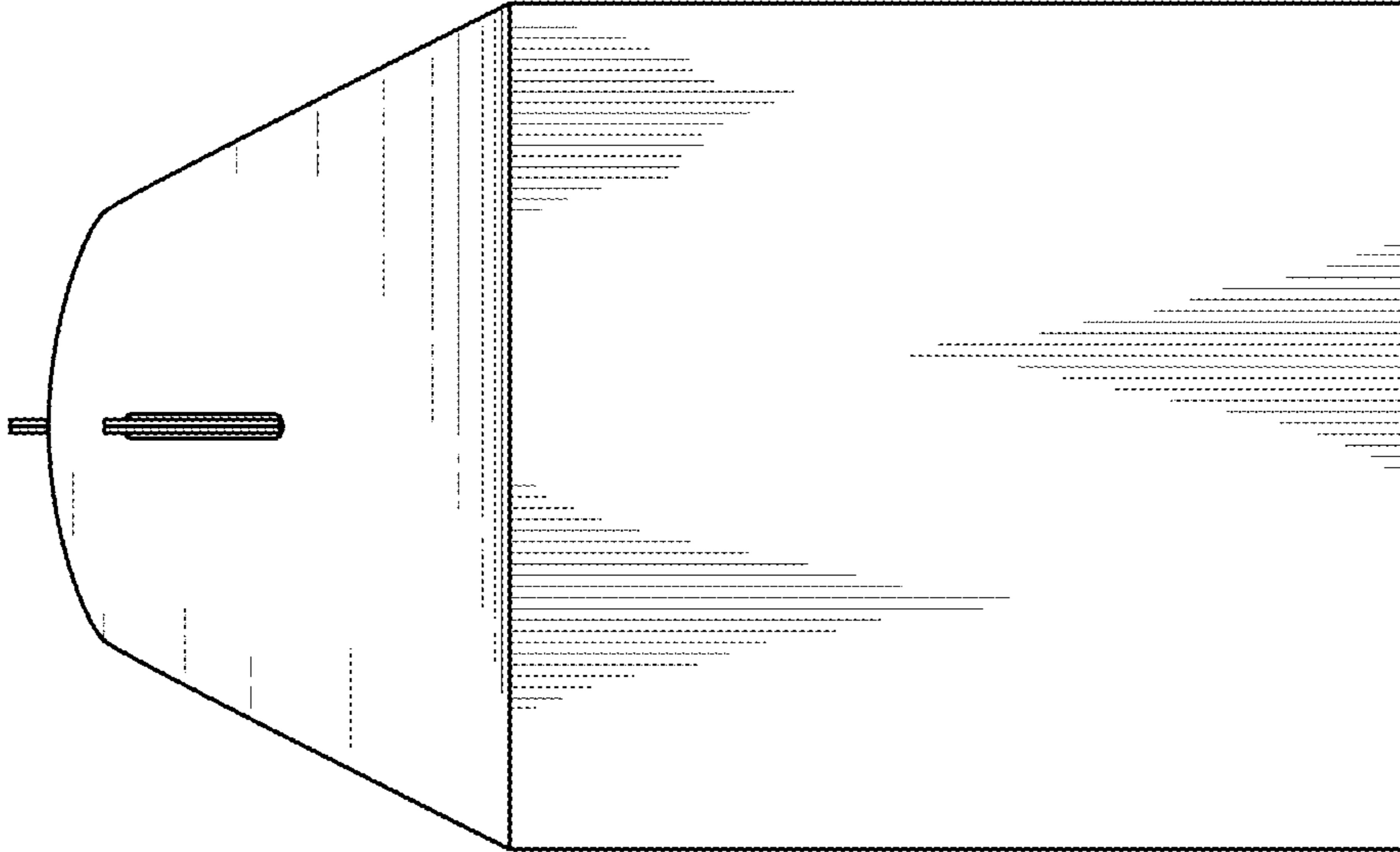


FIG. 8

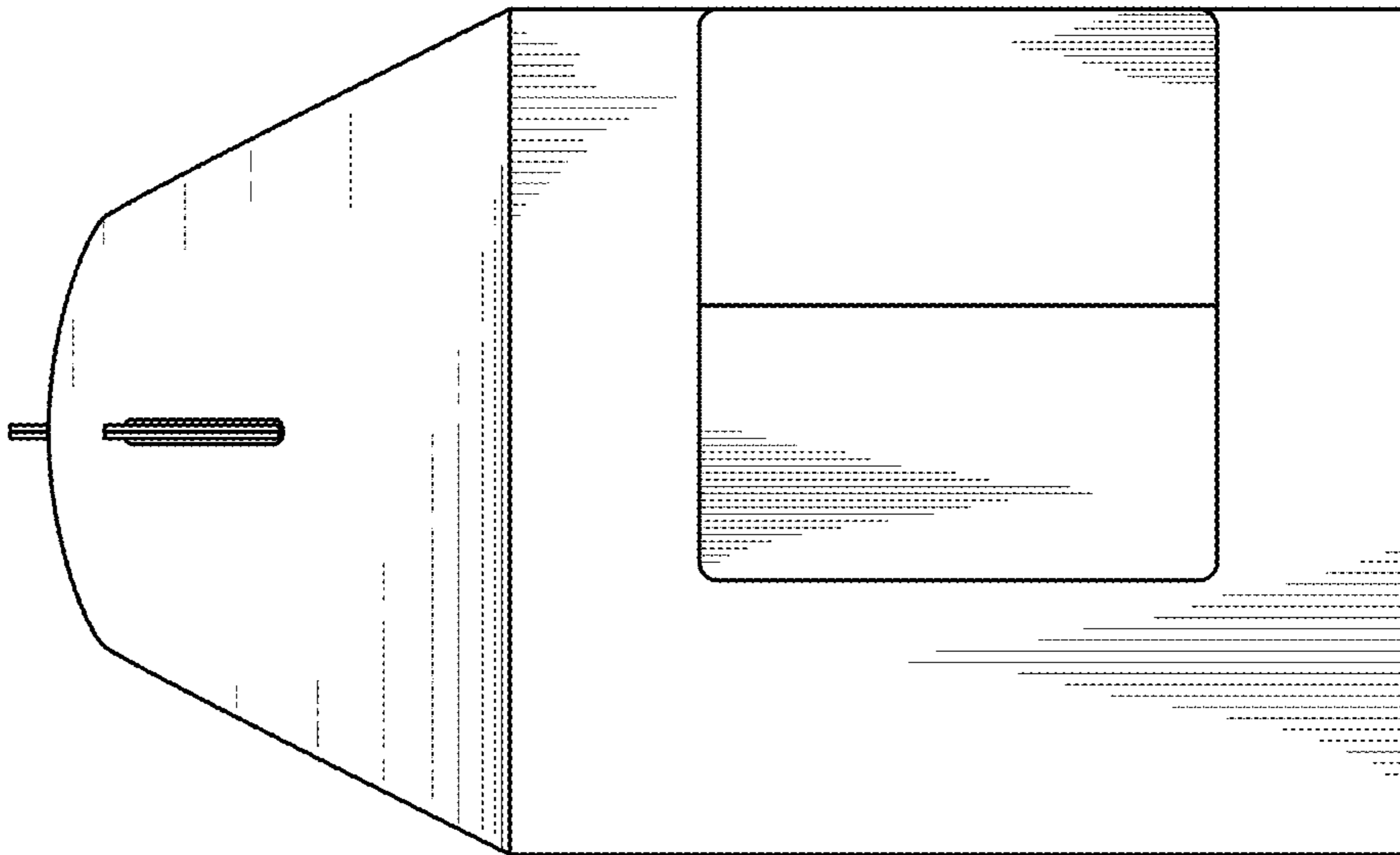


FIG. 7

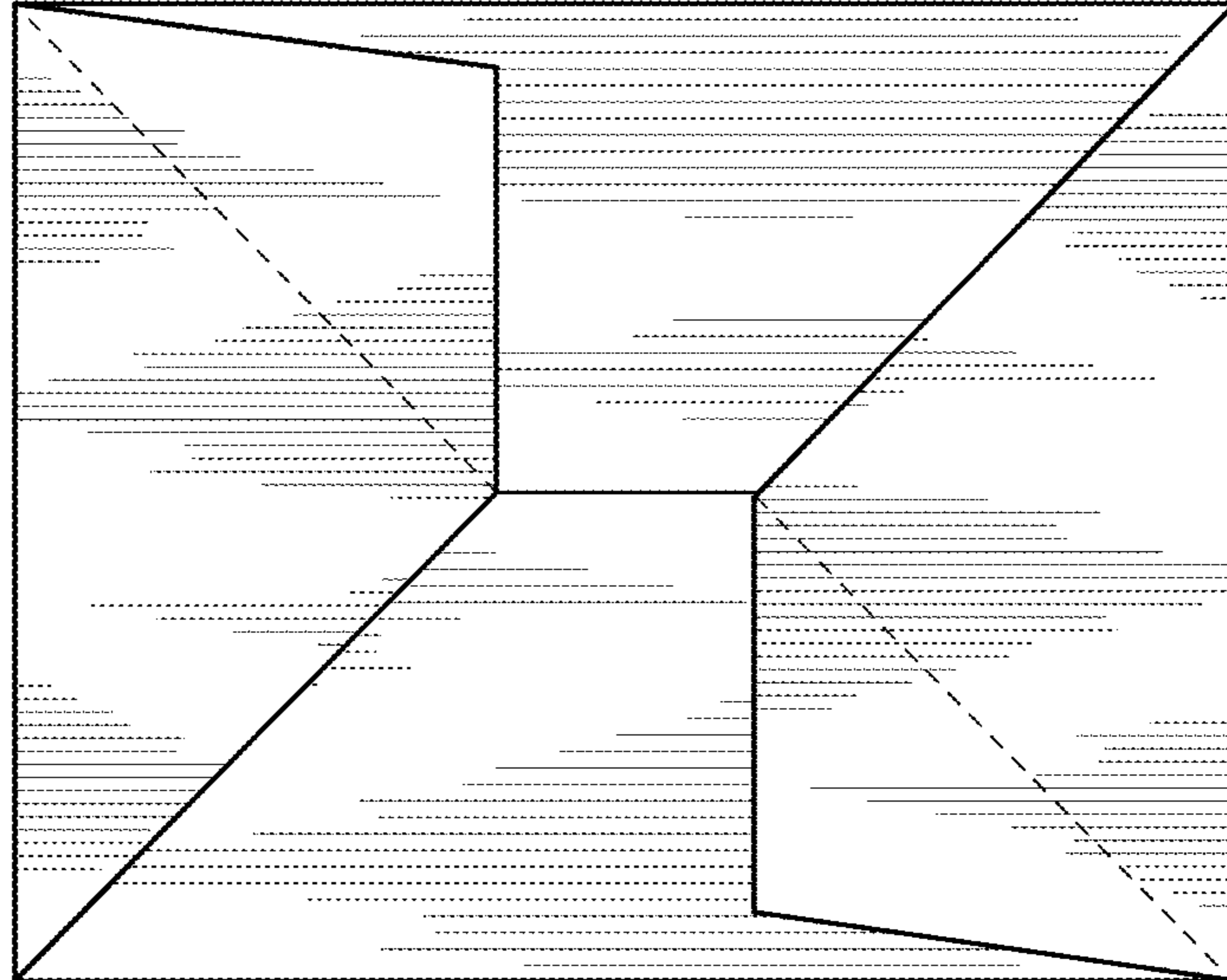


FIG. 10

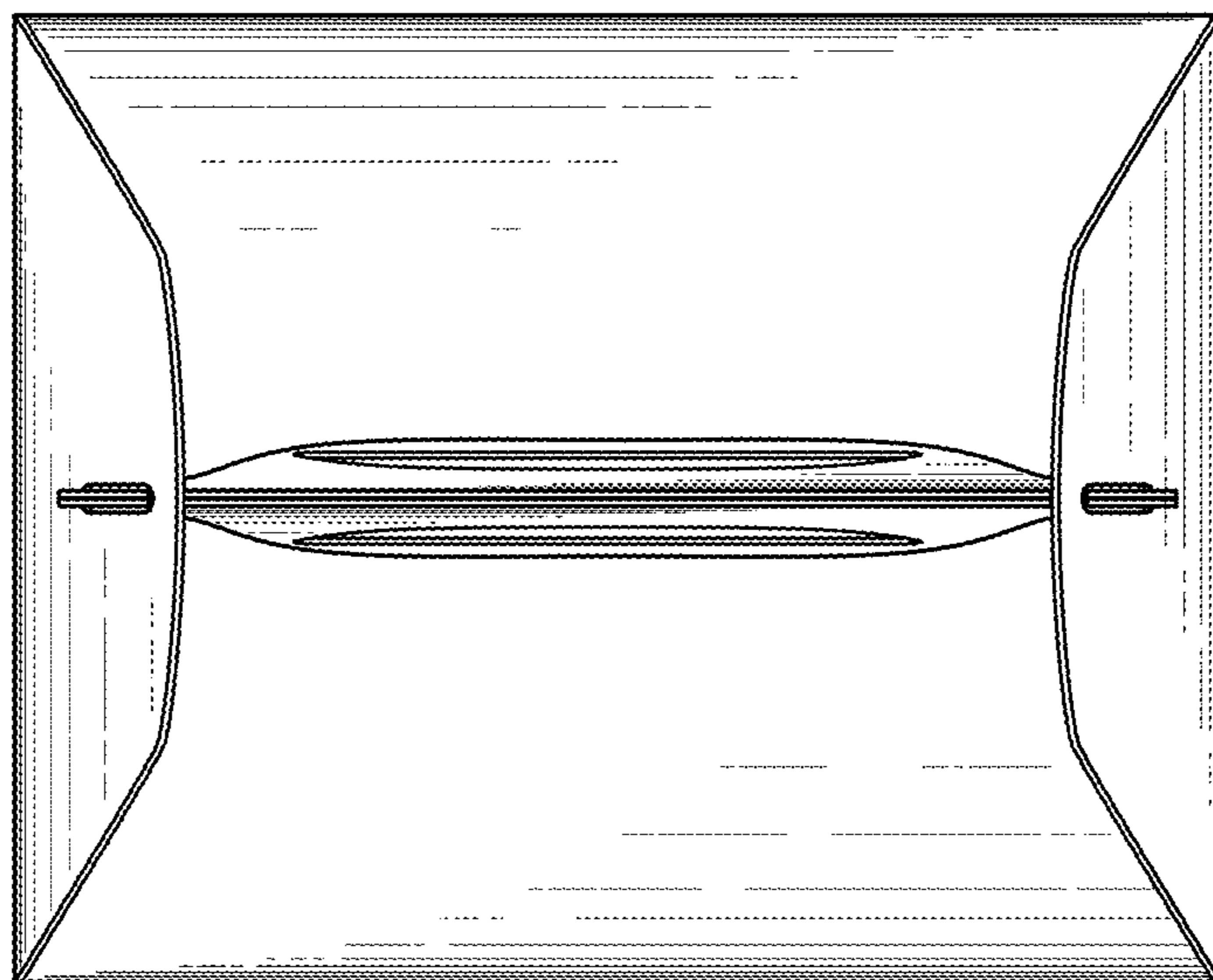


FIG. 9