



US00D789776S

(12) **United States Design Patent** (10) **Patent No.:** **US D789,776 S**
Stacey et al. (45) **Date of Patent:** **** Jun. 20, 2017**

(54) **CONNECTOR**

(71) Applicant: **M-R Products, Inc.**, Copemish, MI (US)

(72) Inventors: **Dennis Stacey**, Copemish, MI (US); **Maree Mulvoy**, Copemish, MI (US)

(73) Assignee: **M-R Products, Inc.**, Copemish, MI (US)

(**) Term: **14 Years**

(21) Appl. No.: **29/517,720**

(22) Filed: **Feb. 16, 2015**

(51) **LOC (10) Cl.** **08-05**

(52) **U.S. Cl.**
USPC **D8/367**; D10/121

(58) **Field of Classification Search**
USPC D13/154; D6/323, 566; D8/367, 349
CPC A63B 29/02; A63B 2067/063
See application file for complete search history.

(56) **References Cited**

U.S. PATENT DOCUMENTS

D379,892 S * 6/1997 Burns D6/566
D429,144 S * 8/2000 Papp D8/372

OTHER PUBLICATIONS

Cone Chain Barrier | Safety and Health Magazine | posted at SafetyandHealthMagazine.com, posting date Nov. 24, 2014, © 2016 SafetyandHealthMagazine.com, [online], [site visited Oct. 6, 2016]. Available from Internet, <URL: http://www.safetyandhealthmagazine.com/articles/11468-cone-chain-barrier>.*

Cone Chain Connector | Plastic Chain Link | posted at PlasticChainLink.com, posting date not given, © 2016 PlasticChainLink.com, [online], [site visited Oct. 6, 2016]. Available from Internet, <URL: http://www.plasticchainlink.com/product/cone-chain-connector/>.*

Traffic Cones with Interlocking Chain | Futurvista Road Studs | posted at futurvistaroadstuds.com, posting date not given, © Futurvista, [online], [site visited Oct. 4, 2016]. Available from Internet, <URL: http://www.futurvistaroadstuds.com/traffic-cone-breakers.html>.*

Plastic Chain & Accessories | SC Supply Co | posted at Scsupplyco.com, posting date not given, © SCSupplyCo, [online], [site visited Oct. 4, 2016]. Available from Internet, <URL: http://www.scsupplyco.com/plastic_chain_accessories.htm>.*

Mr. Chain 97412-6 Cone Chain Connector, 2-3/4 in, Orange, PK6 | Walmart | review posted on Nov. 19, 2014, © Walmart Stores Inc, [online], [site visited Oct. 11, 2016]. Available from Internet, <URL: https://www.walmart.com/reviews/seller/1122?offerId=FE6F57C1AE964414B2A7BAD7CE38790B>.*

* cited by examiner

Primary Examiner — Caron D Veynar

Assistant Examiner — Laura Yu

(74) *Attorney, Agent, or Firm* — Fishman Stewart PLLC

(57) **CLAIM**

The ornamental design for a connector, as shown and described.

DESCRIPTION

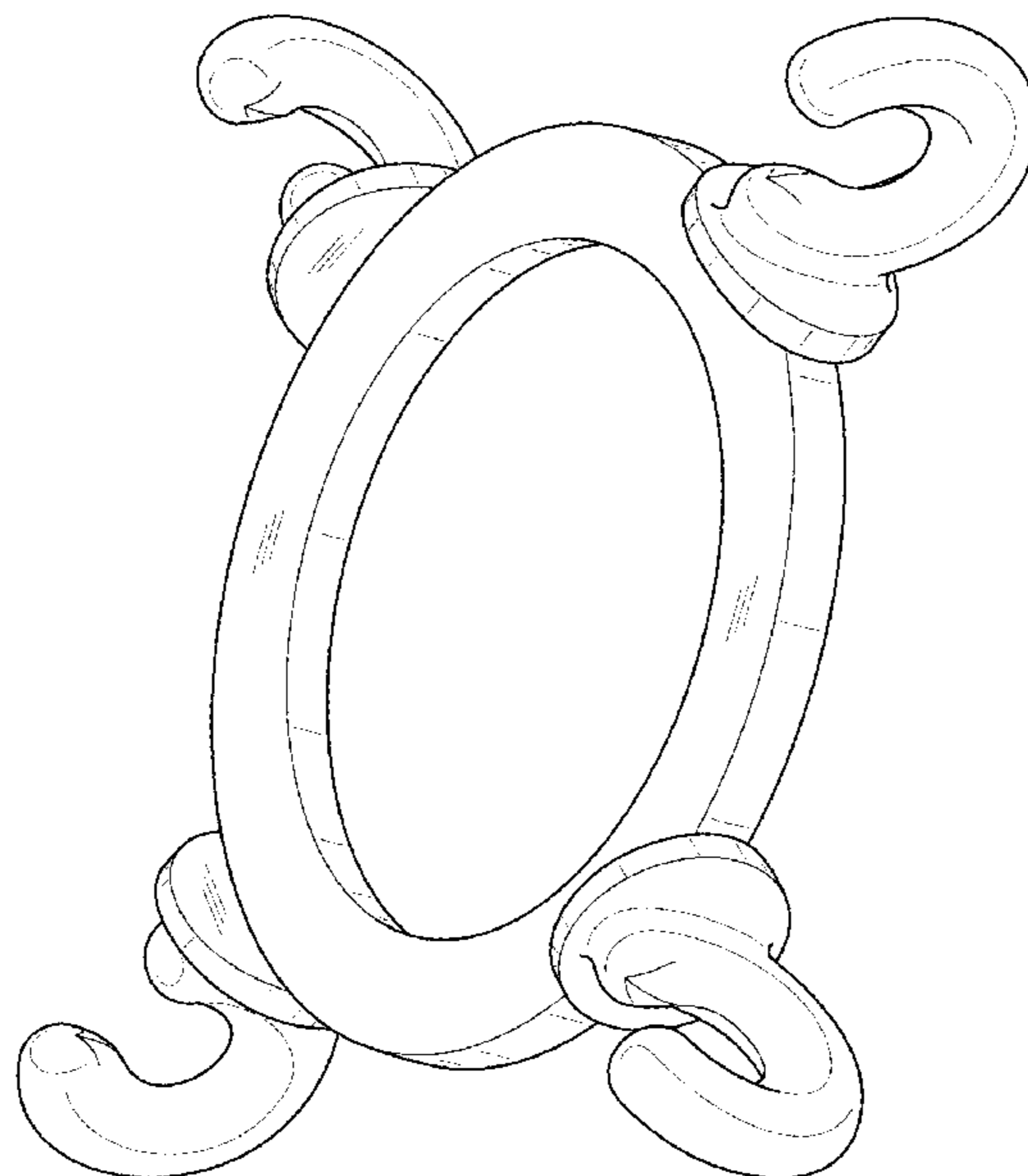
FIG. 1 is a perspective view of the connector showing our new design;

FIG. 2 is a front view thereof;

FIG. 3 is a rear view thereof; and,

FIG. 4 is a side/profile view thereof.

1 Claim, 3 Drawing Sheets



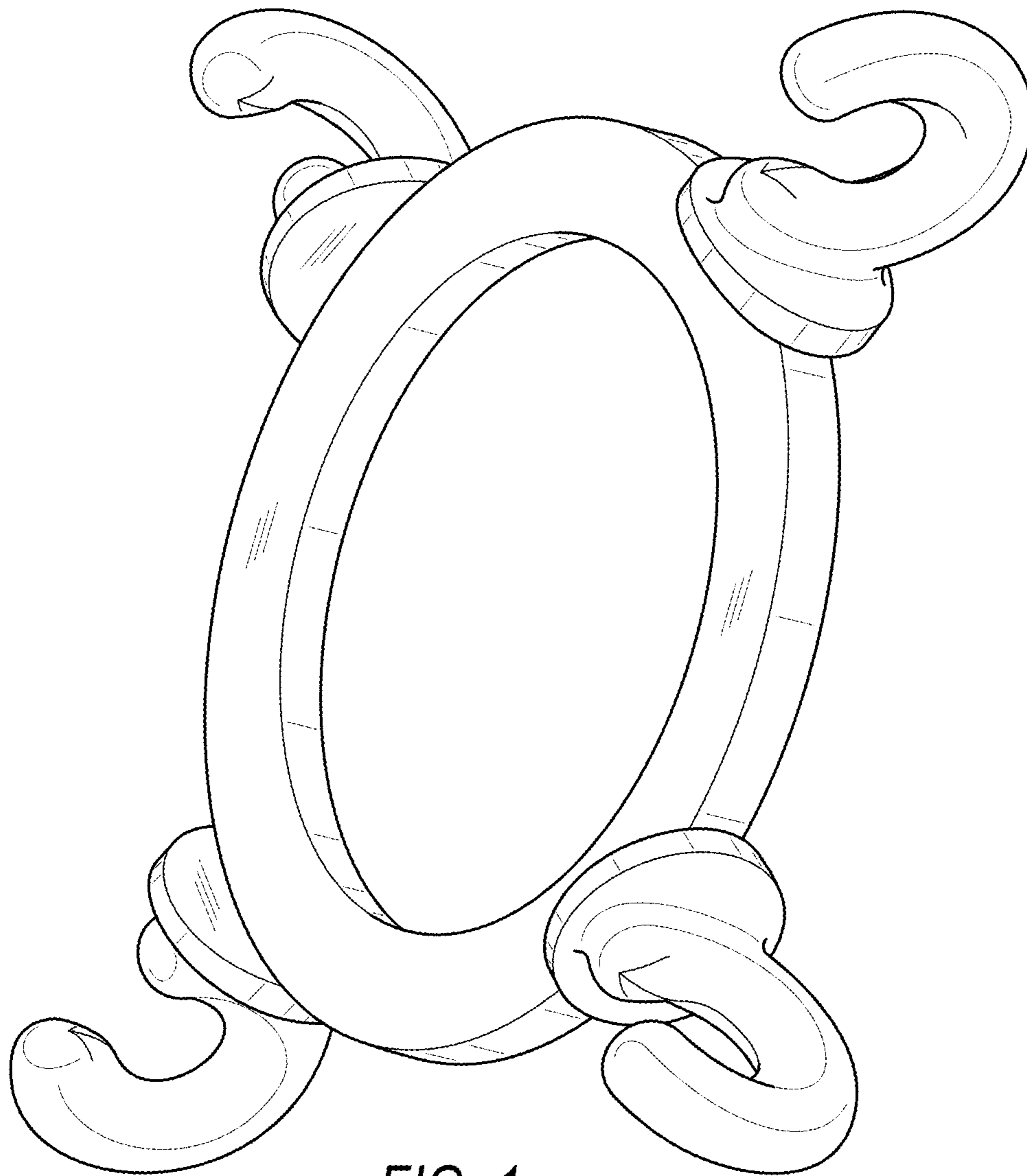


FIG. 1

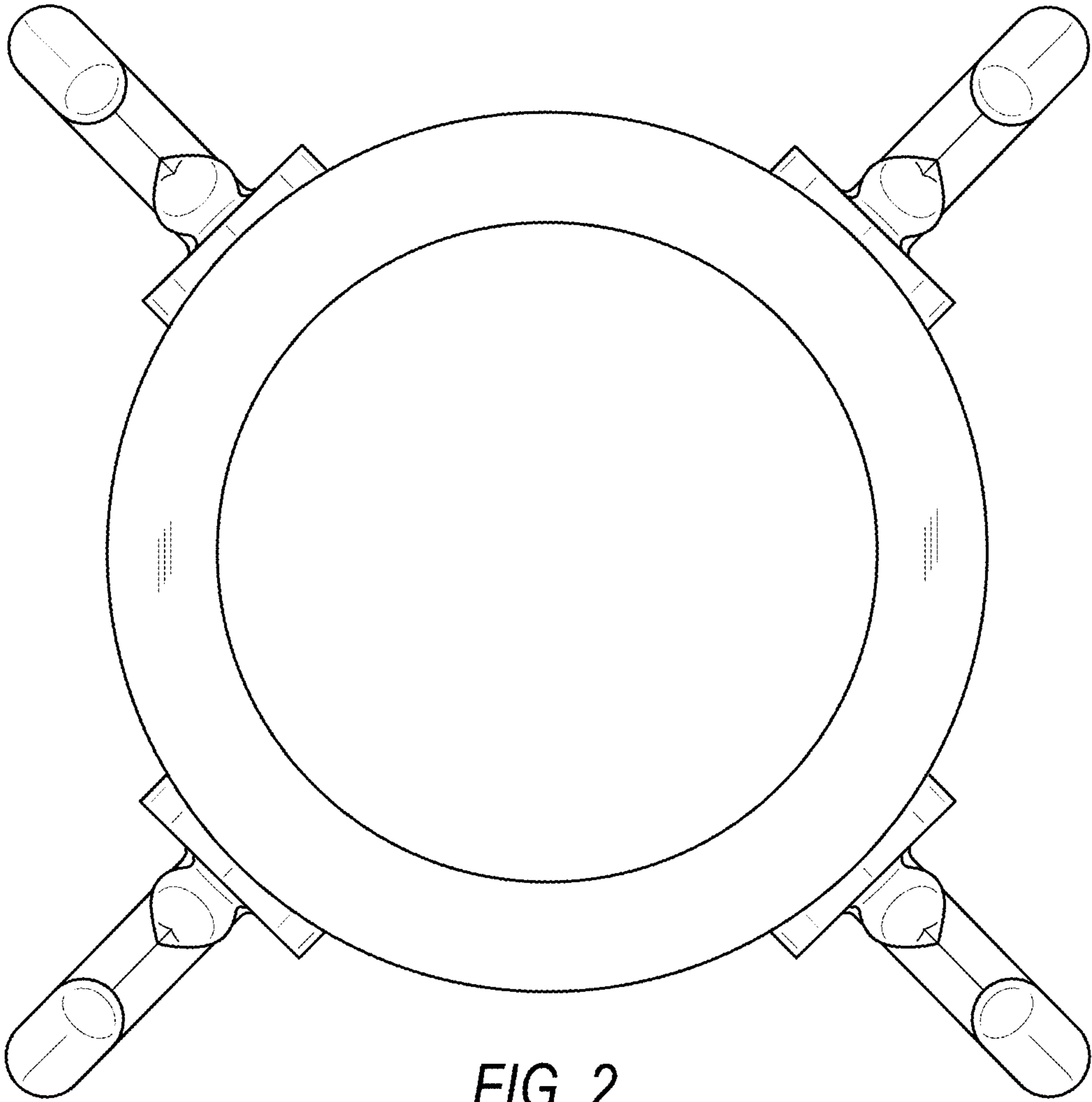


FIG. 2

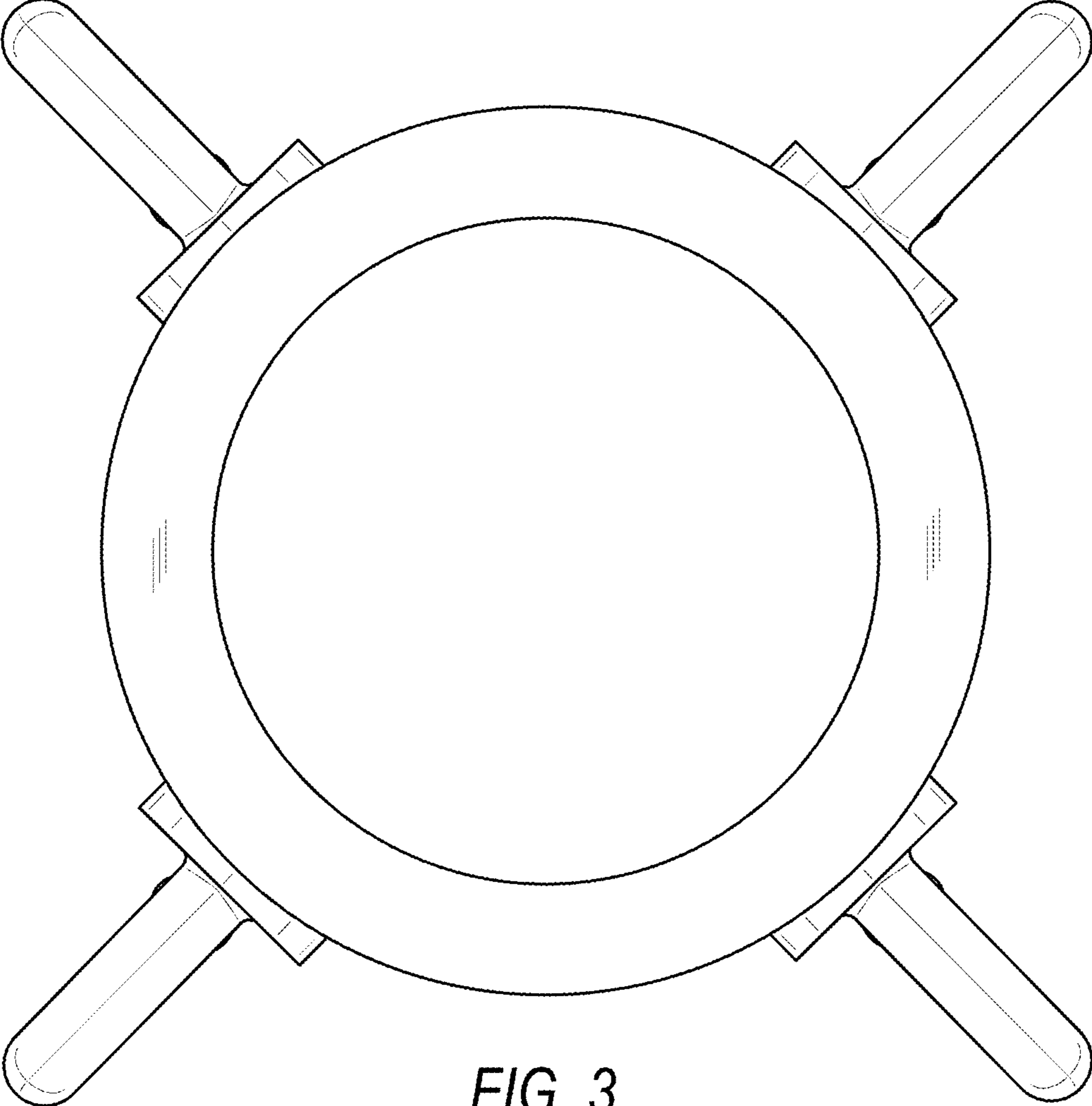


FIG. 3

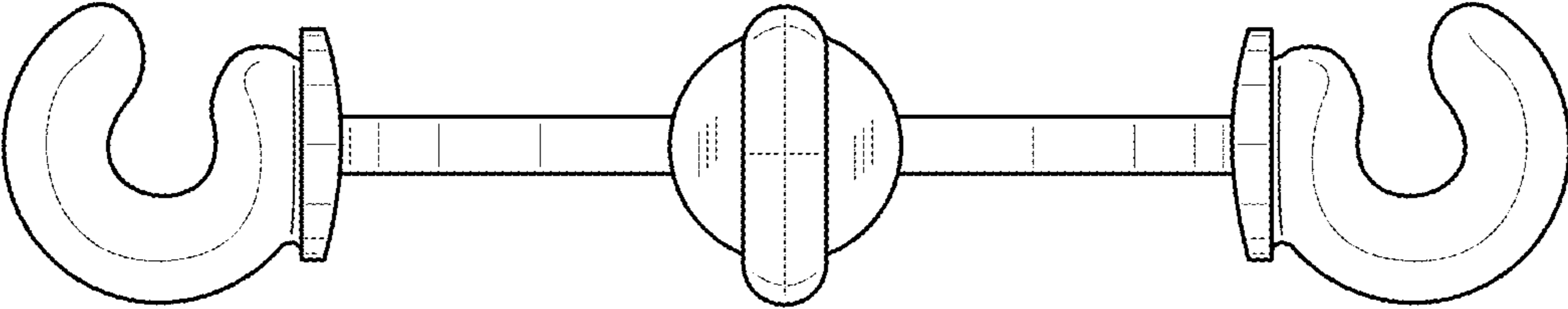


FIG. 4