



US00D789775S

(12) **United States Design Patent** (10) **Patent No.:** **US D789,775 S**  
**Candler** (45) **Date of Patent:** **\*\* Jun. 20, 2017**

(54) **ROLLER BRACKET**

(71) Applicant: **WORKER SAFETY INNOVATIONS, LLC**, Honolulu, HI (US)

(72) Inventor: **Lewis Dennis Candler**, Honolulu, HI (US)

(73) Assignee: **WORKER SAFETY INNOVATIONS, LLC**, Honolulu, HI (US)

(\*\*) Term: **15 Years**

(21) Appl. No.: **29/558,639**

(22) Filed: **Mar. 18, 2016**

(51) **LOC (10) Cl.** ..... **08-05**

(52) **U.S. Cl.**  
USPC ..... **D8/354; D8/355**

(58) **Field of Classification Search**  
USPC ..... D8/354, 355; 248/161, 158, 176, 274,  
248/298, 551, 499, 680, 251, 309.1,  
248/309.2, 300, 201, 218.4, 140; 40/606,  
40/612, 607.14, 607.12; 211/17-24;  
24/455  
CPC ..... E06B 9/50; E06B 9/78; E06B 9/90; E06B  
3/02

See application file for complete search history.

(56) **References Cited**

**U.S. PATENT DOCUMENTS**

D663,611 S \* 7/2012 Nunez Farfan ..... D8/380  
D695,593 S \* 12/2013 Nunez Farfan ..... D8/354  
2010/0294906 A1 \* 11/2010 Klepack ..... B65G 21/06  
248/231.9

**OTHER PUBLICATIONS**

Sliding Door Roller Bracket, posted at amazon.com, posted Jan. 1, 2008, [online], [site visited Jan. 6, 2017]. Available from Internet, <URL: <https://www.amazon.com/Dorman924143SlidingRollerBracket/dp/B00JW1WHYK>>.\*

\* cited by examiner

*Primary Examiner* — Caron D Veynar

*Assistant Examiner* — Maria Edwards

(74) *Attorney, Agent, or Firm* — Martin E. Hsia; Keri Ann K.S. Krzykowski

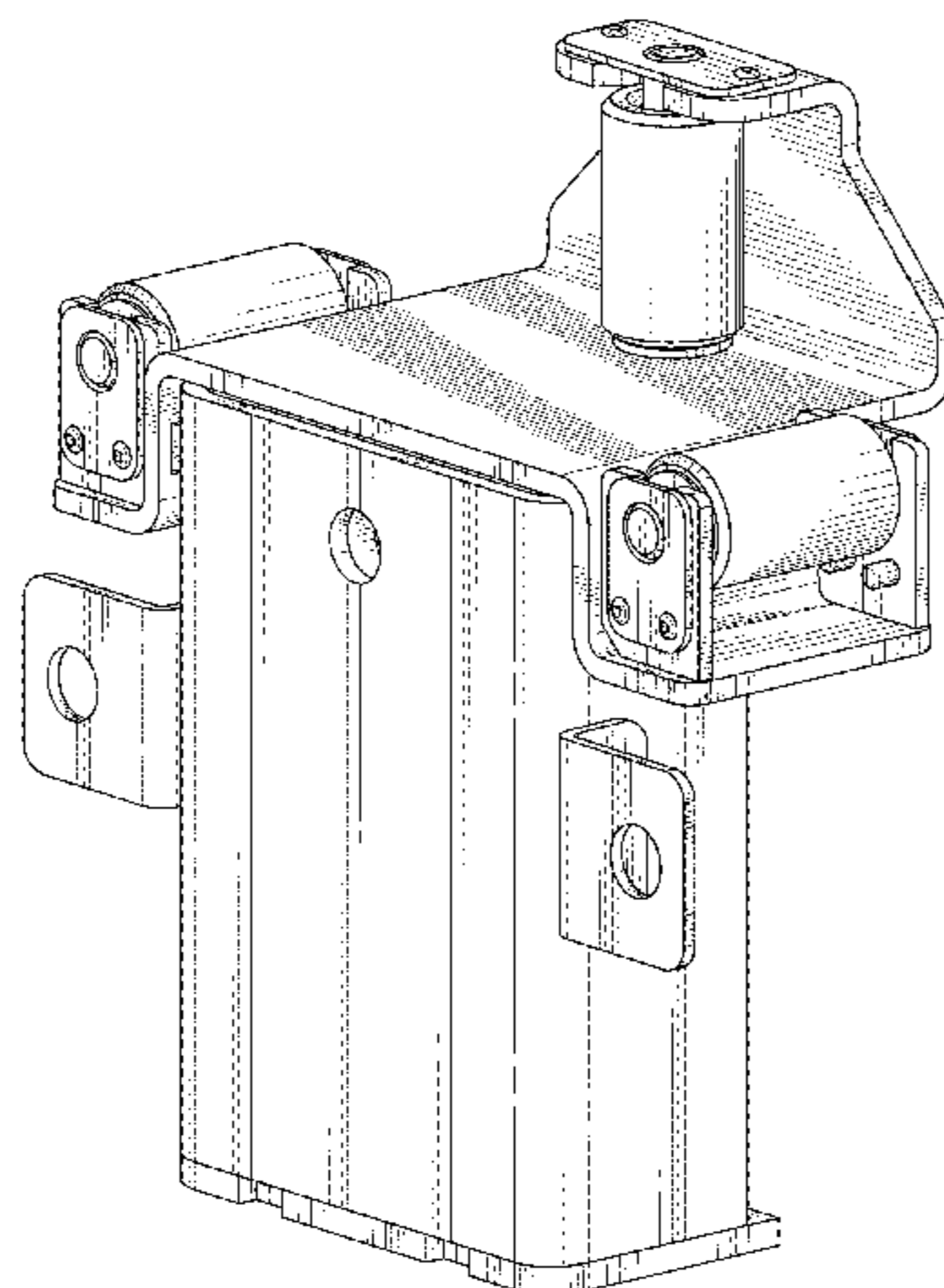
(57) **CLAIM**

The ornamental design for a roller bracket, as shown and described.

**DESCRIPTION**

FIG. 1 is a perspective view thereof from the rear left, shown in the retracted position;  
FIG. 2 is an elevational view thereof from the rear, shown in the retracted position;  
FIG. 3 is an elevational view thereof from the front, shown in the retracted position;  
FIG. 4 is an elevational view thereof from the right, shown in the retracted position;  
FIG. 5 is an elevational view thereof from the left, shown in the retracted position;  
FIG. 6 is a top plan view thereof, shown in the retracted position;  
FIG. 7 is a bottom plan view thereof, shown in the retracted position;  
FIG. 8 is a perspective view thereof from the rear left, shown in the extended position;  
FIG. 9 is an elevational view thereof from the rear, shown in the extended position;  
FIG. 10 is an elevational view thereof from the front, shown in the extended position;  
FIG. 11 is an elevational view thereof from the right, shown in the extended position;  
FIG. 12 is an elevational view thereof from the left, shown in the extended position;  
FIG. 13 is a top plan view thereof, shown in the extended position; and,  
FIG. 14 is a bottom plan view thereof, shown in the extended position.

**1 Claim, 12 Drawing Sheets**



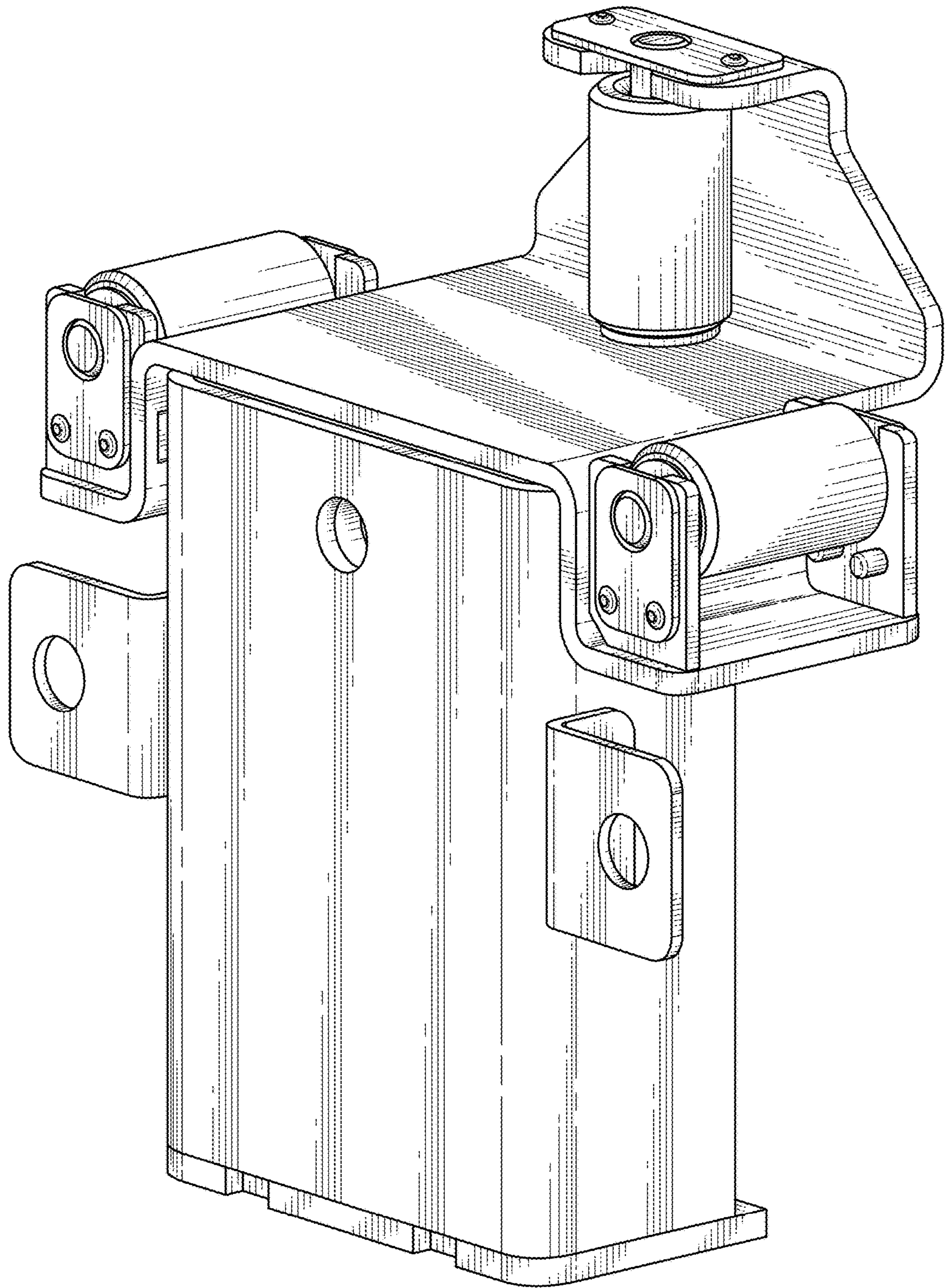


FIG. 1

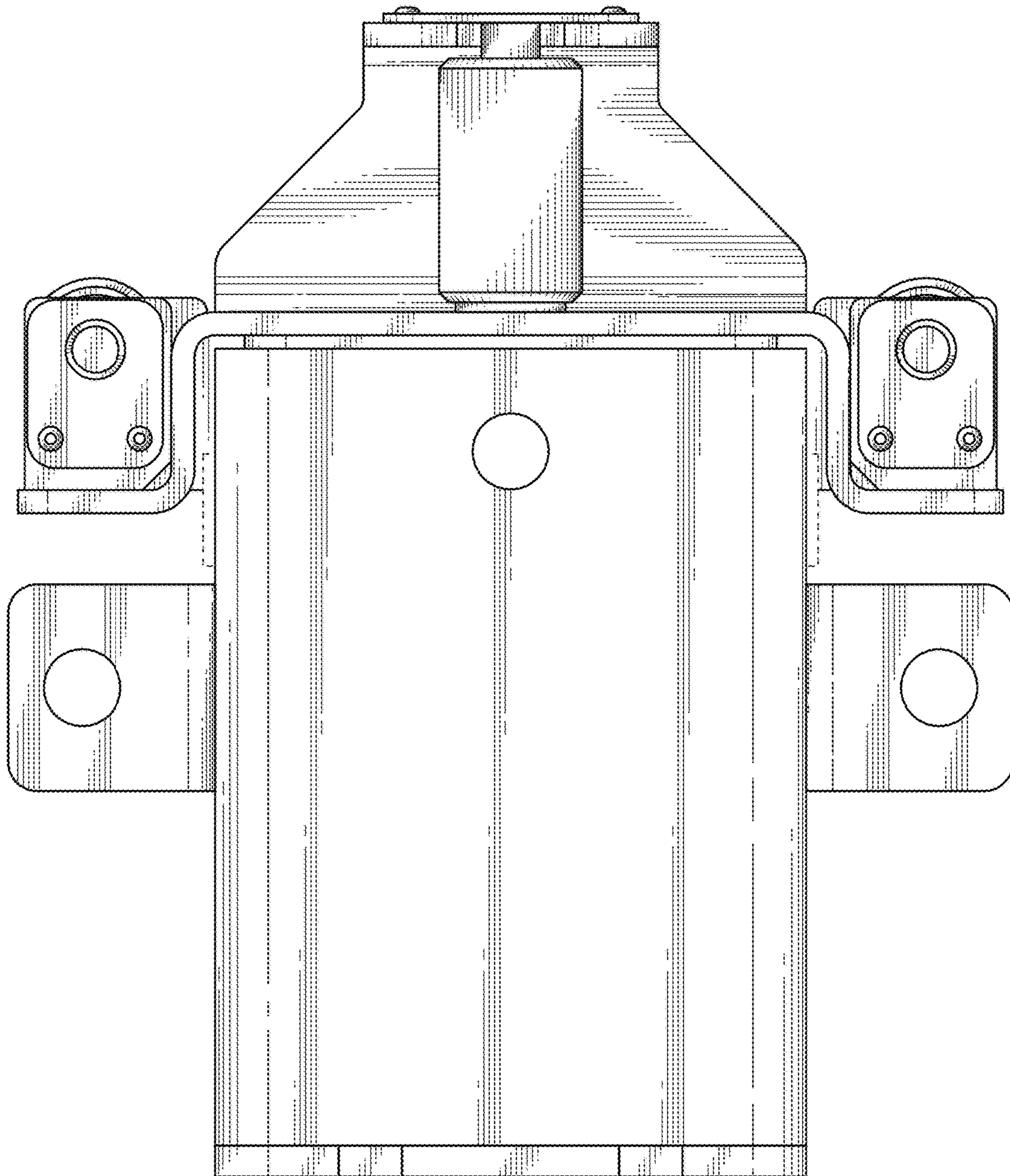


FIG. 2

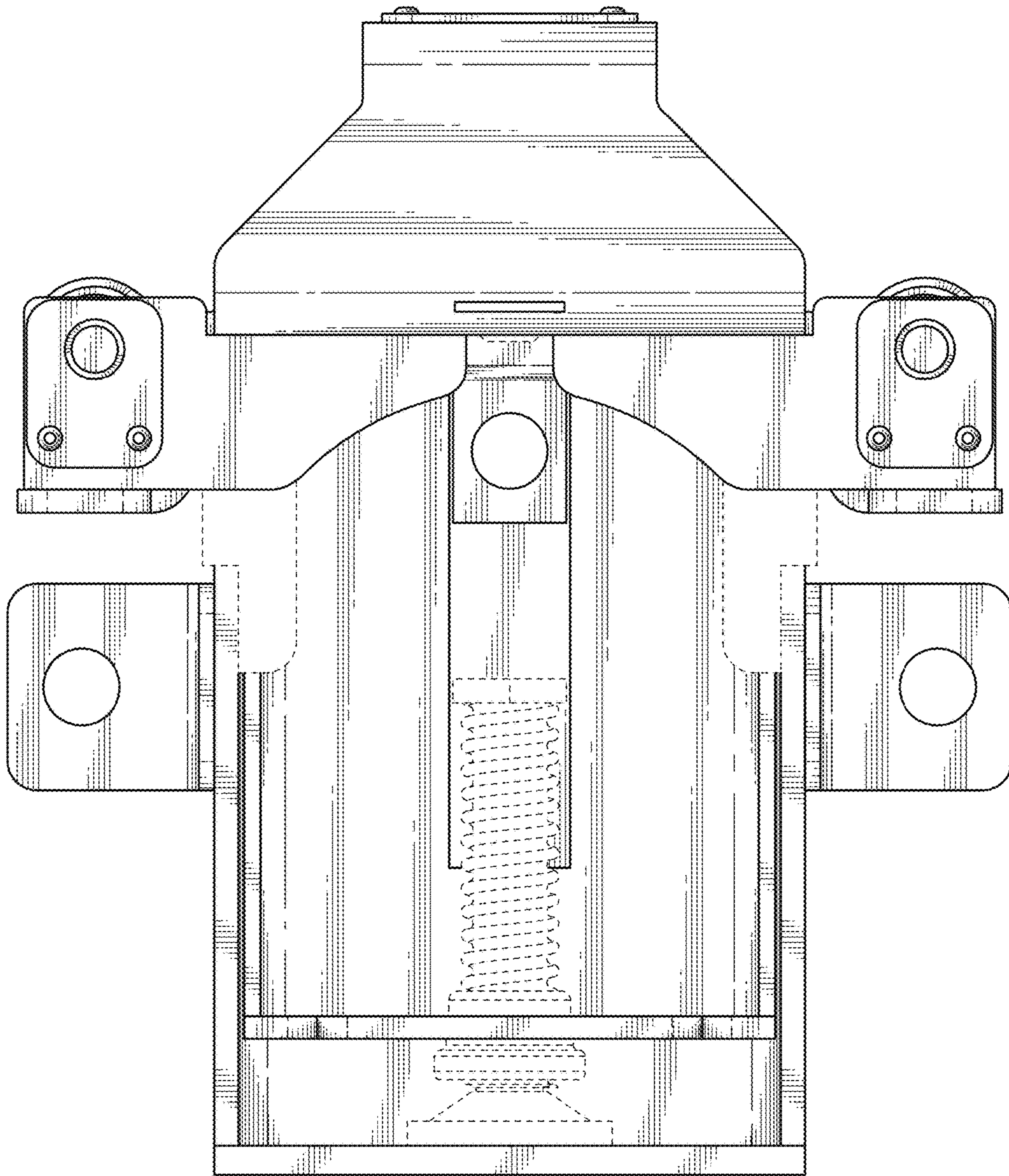


FIG. 3

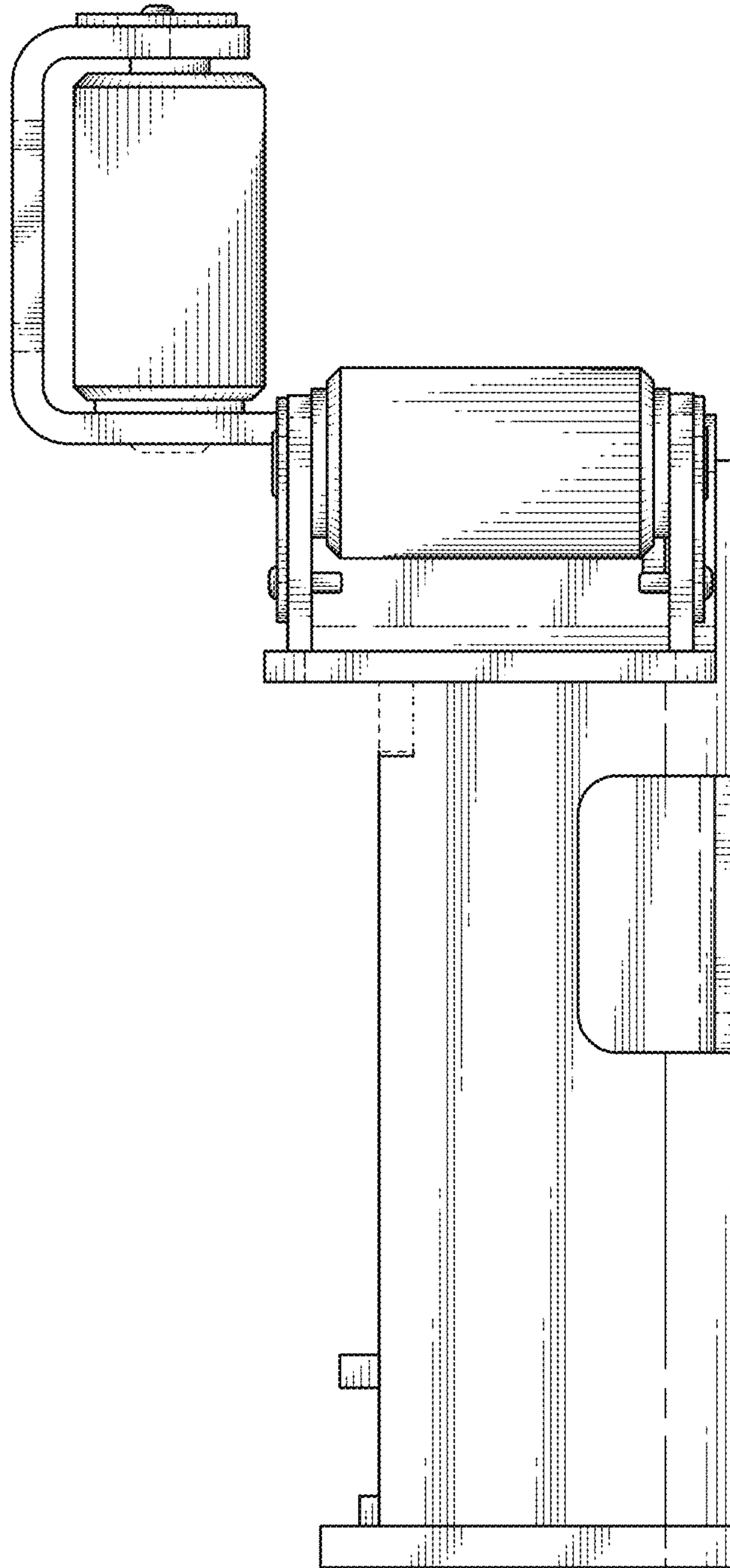


FIG. 4

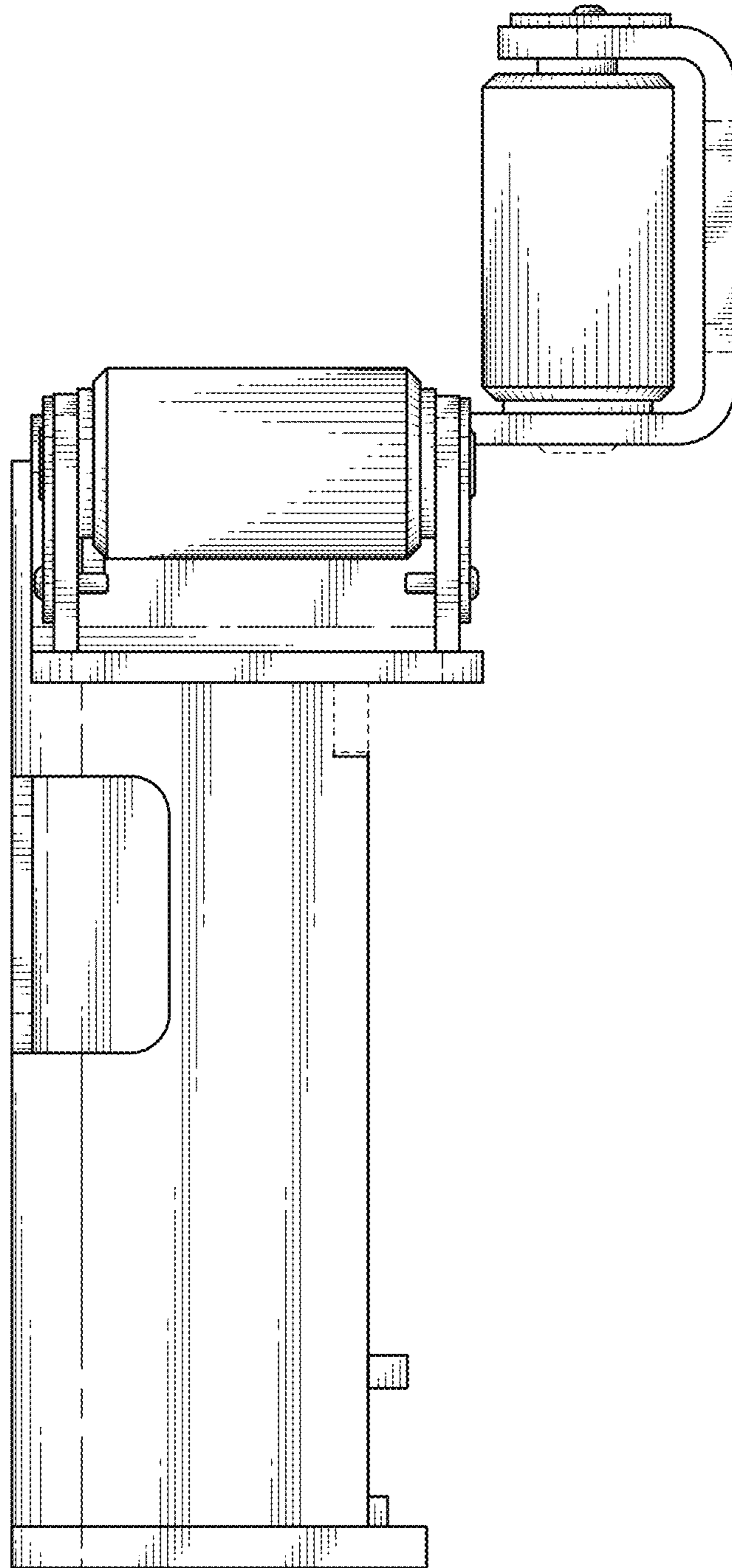


FIG. 5

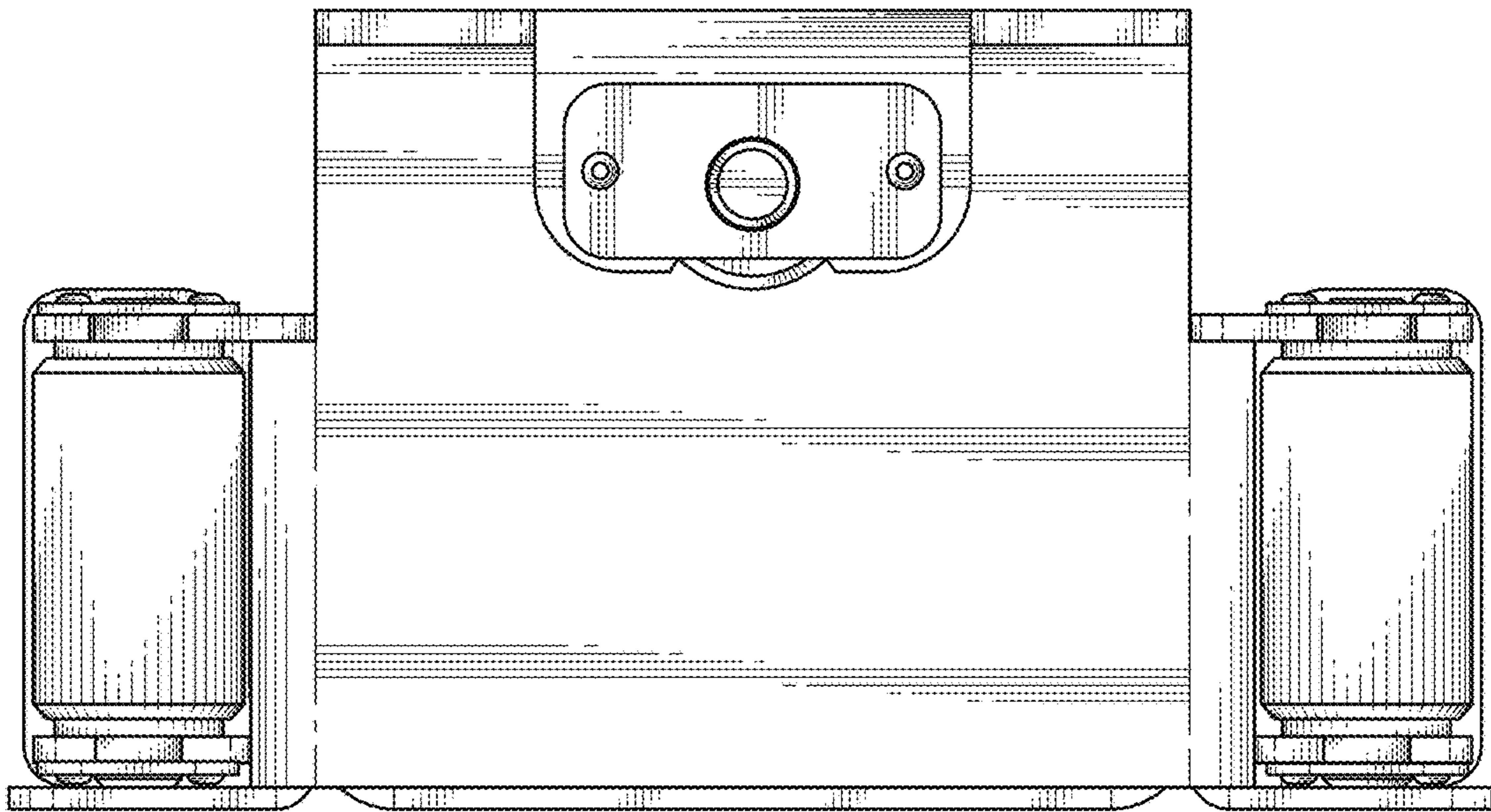


FIG. 6

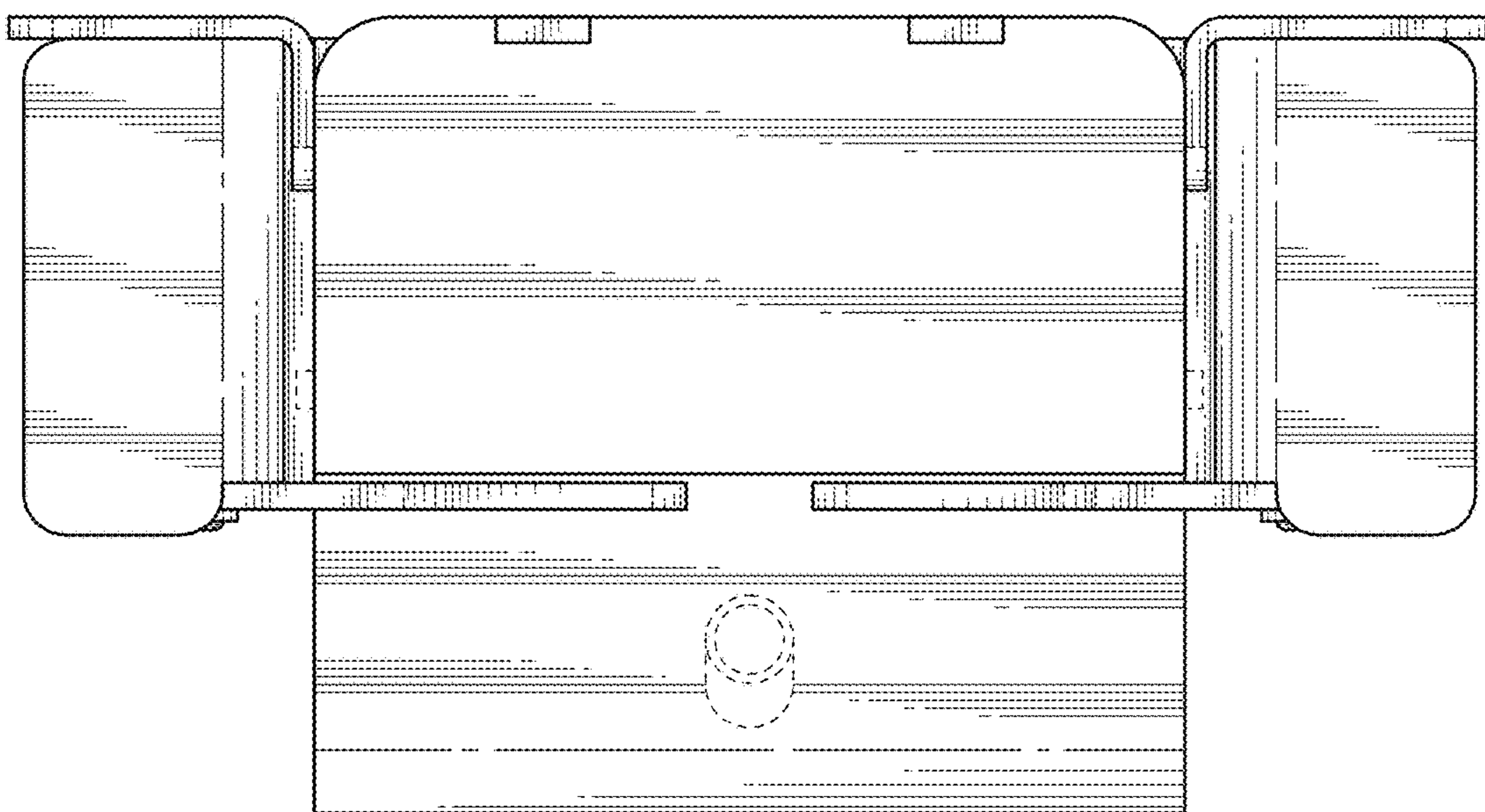


FIG. 7

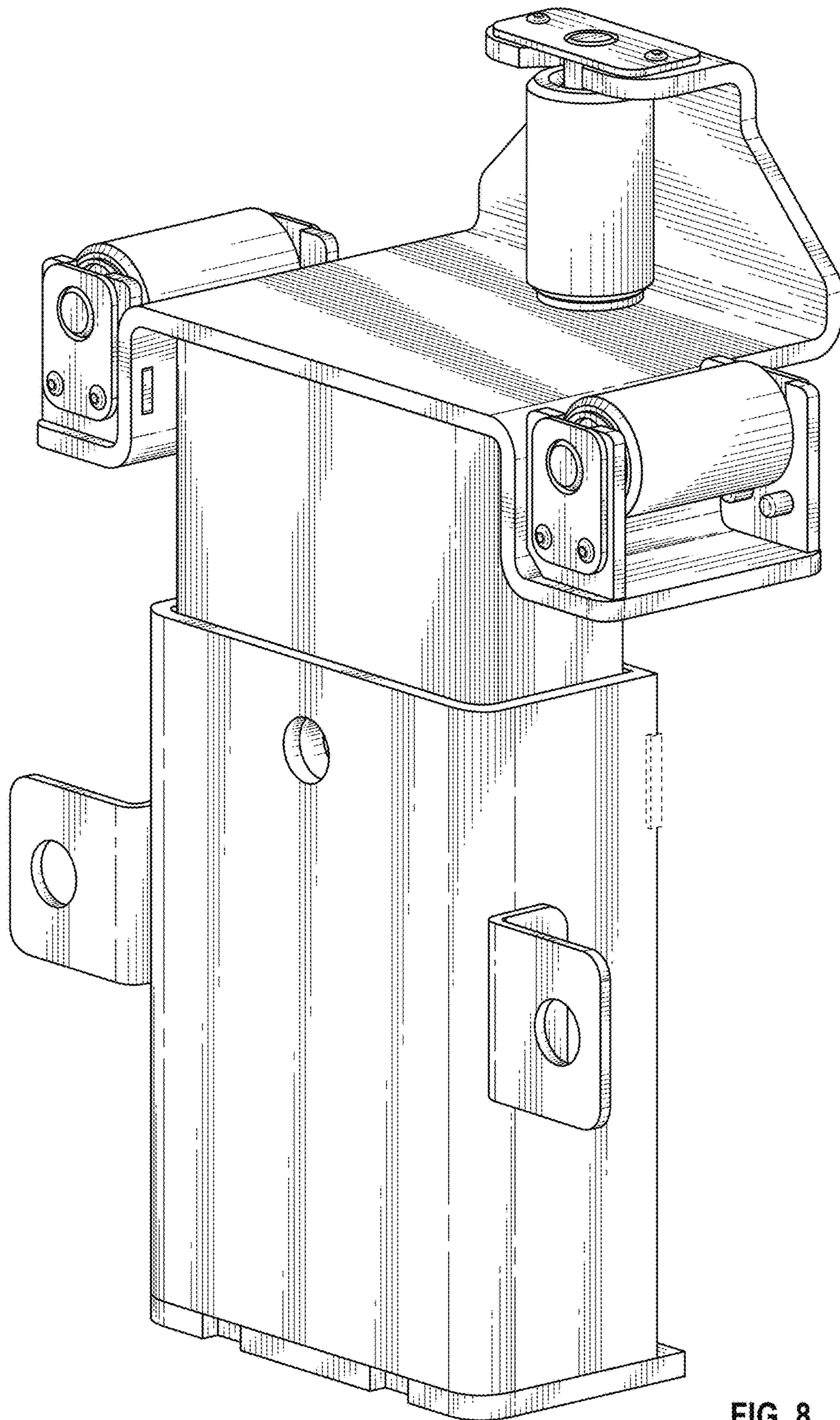


FIG. 8



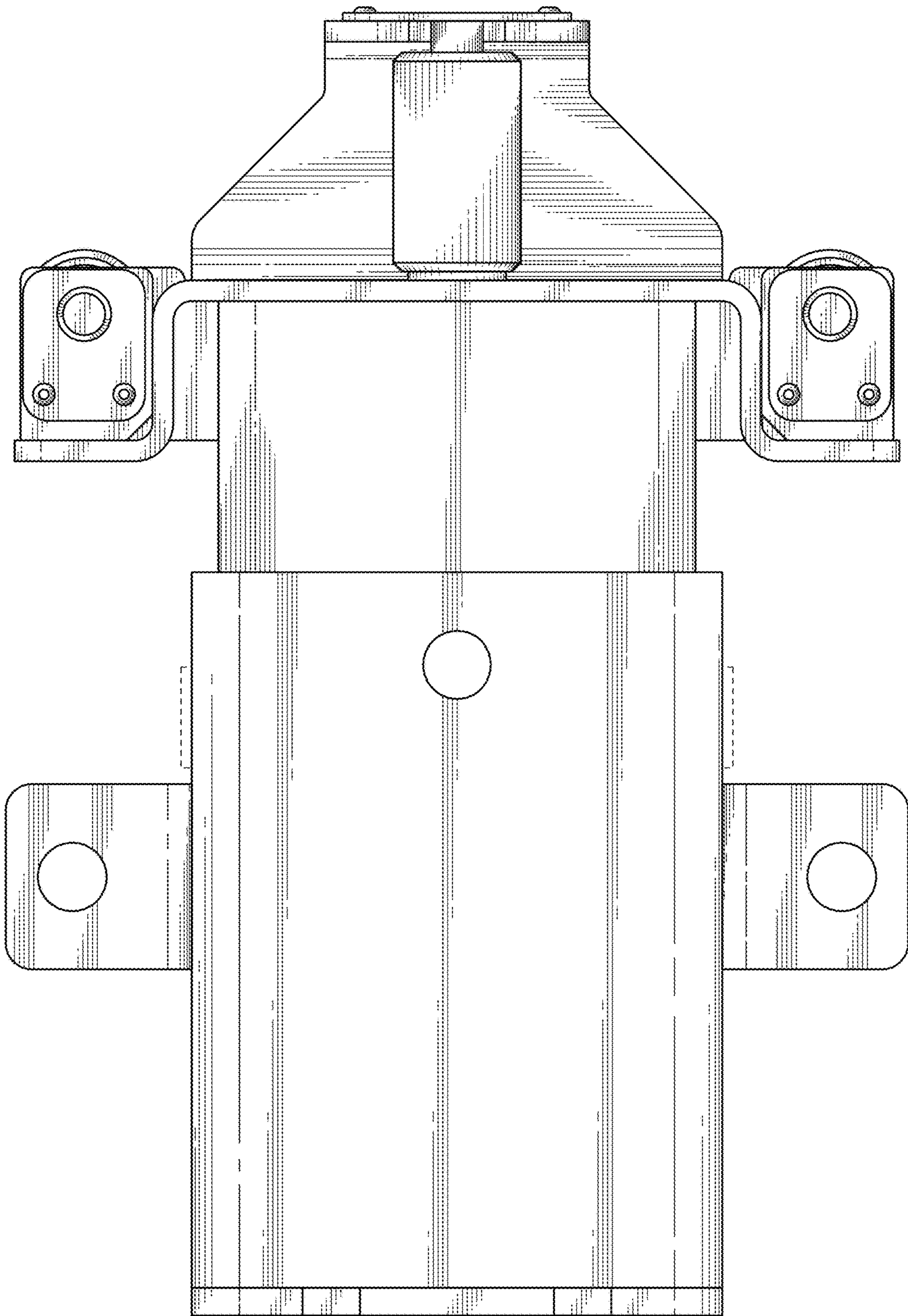


FIG. 9

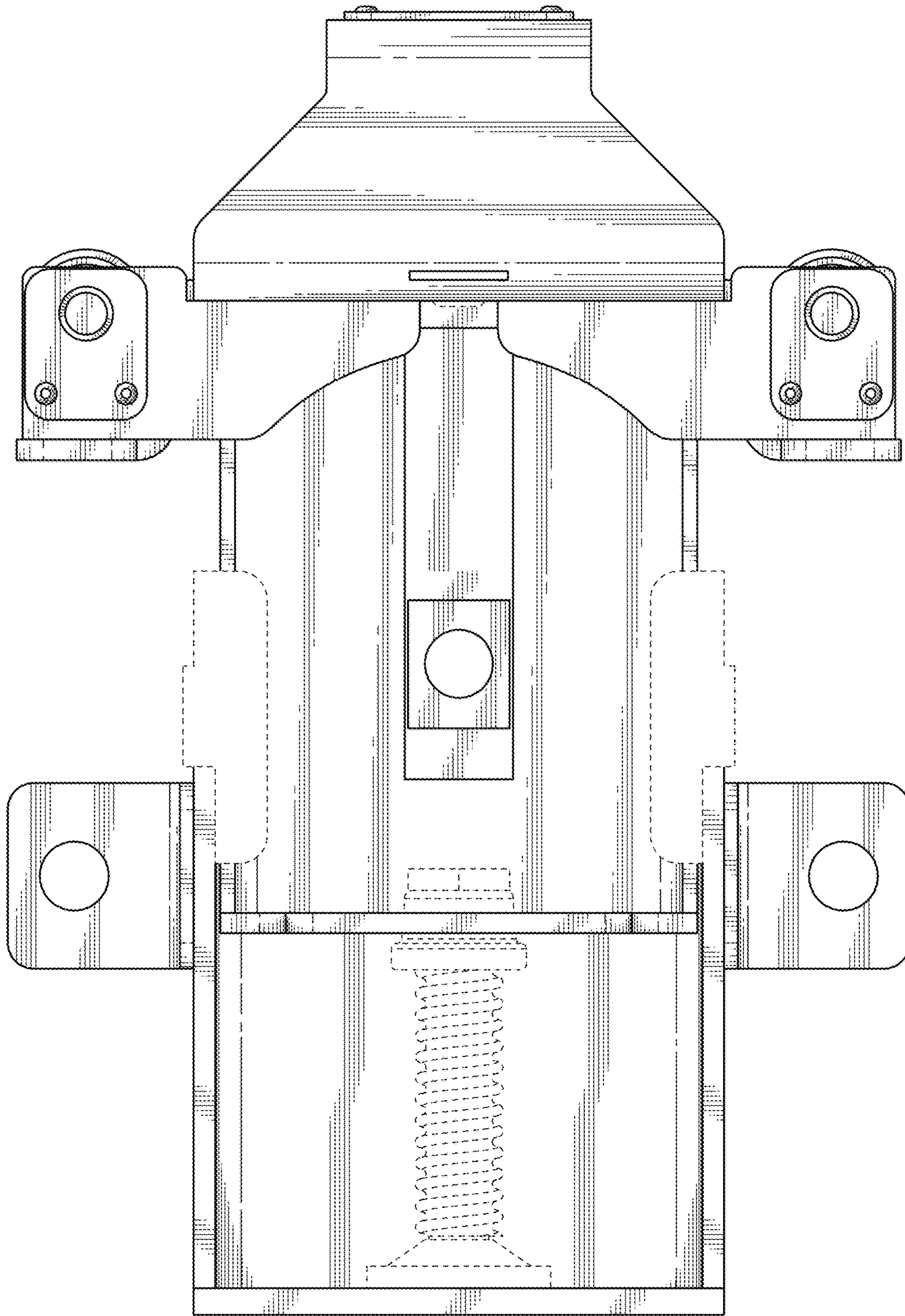


FIG. 10

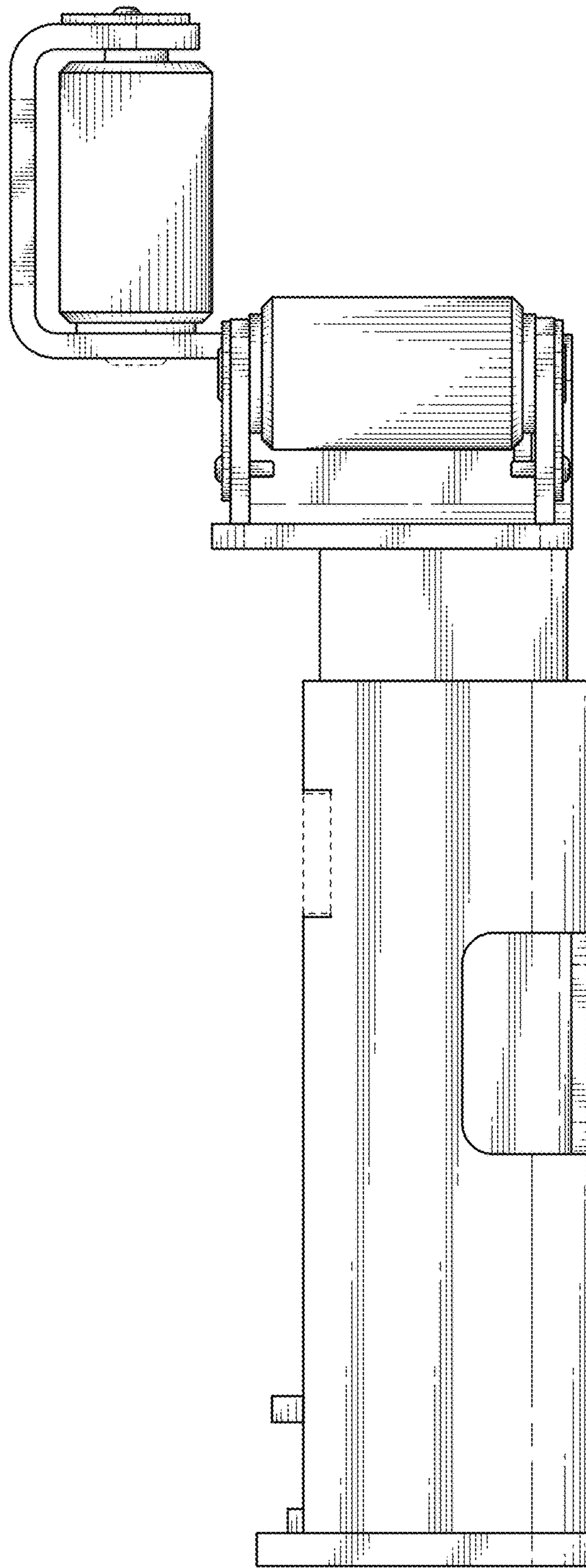


FIG. 11

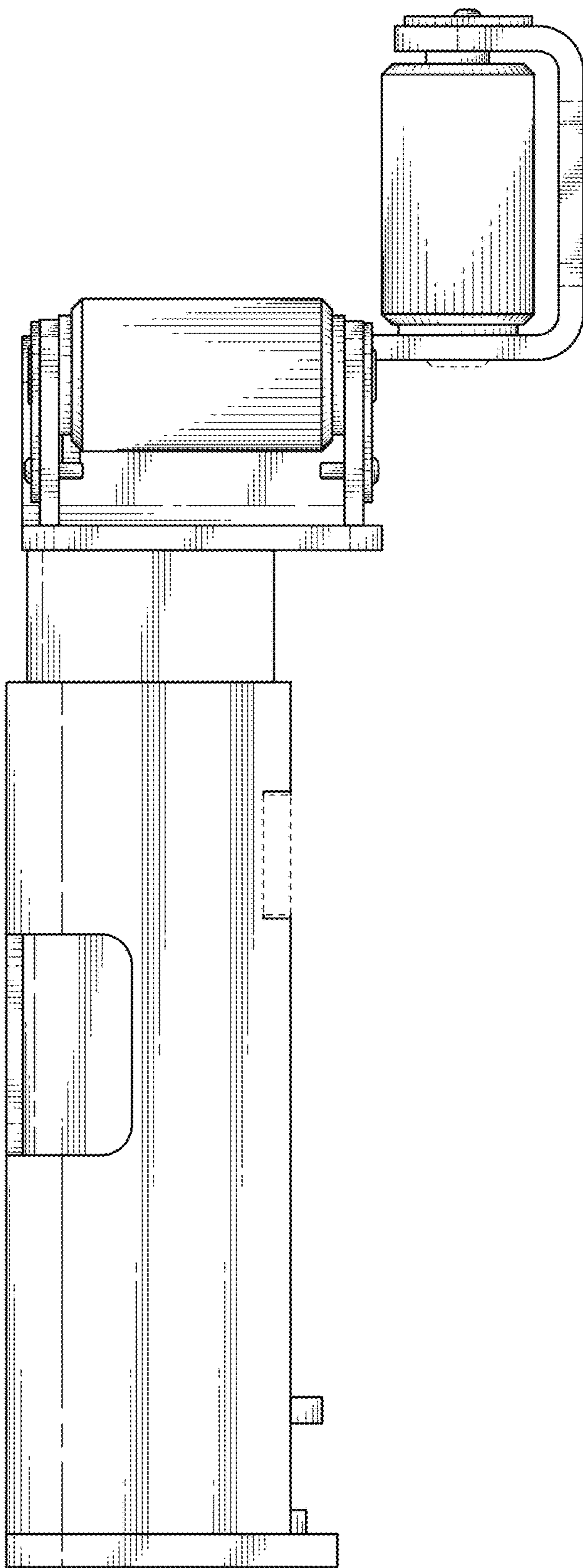


FIG. 12

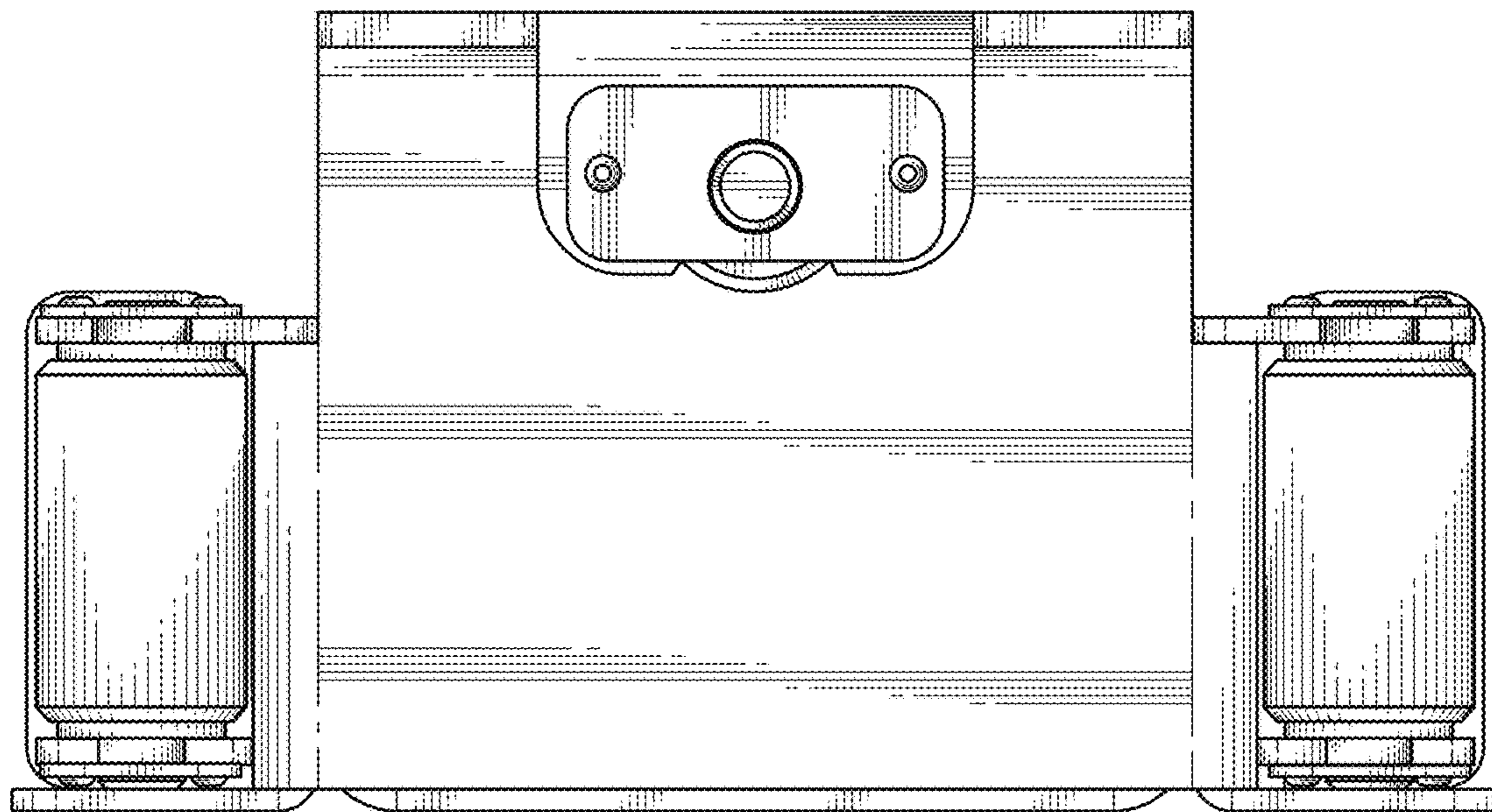


FIG. 13

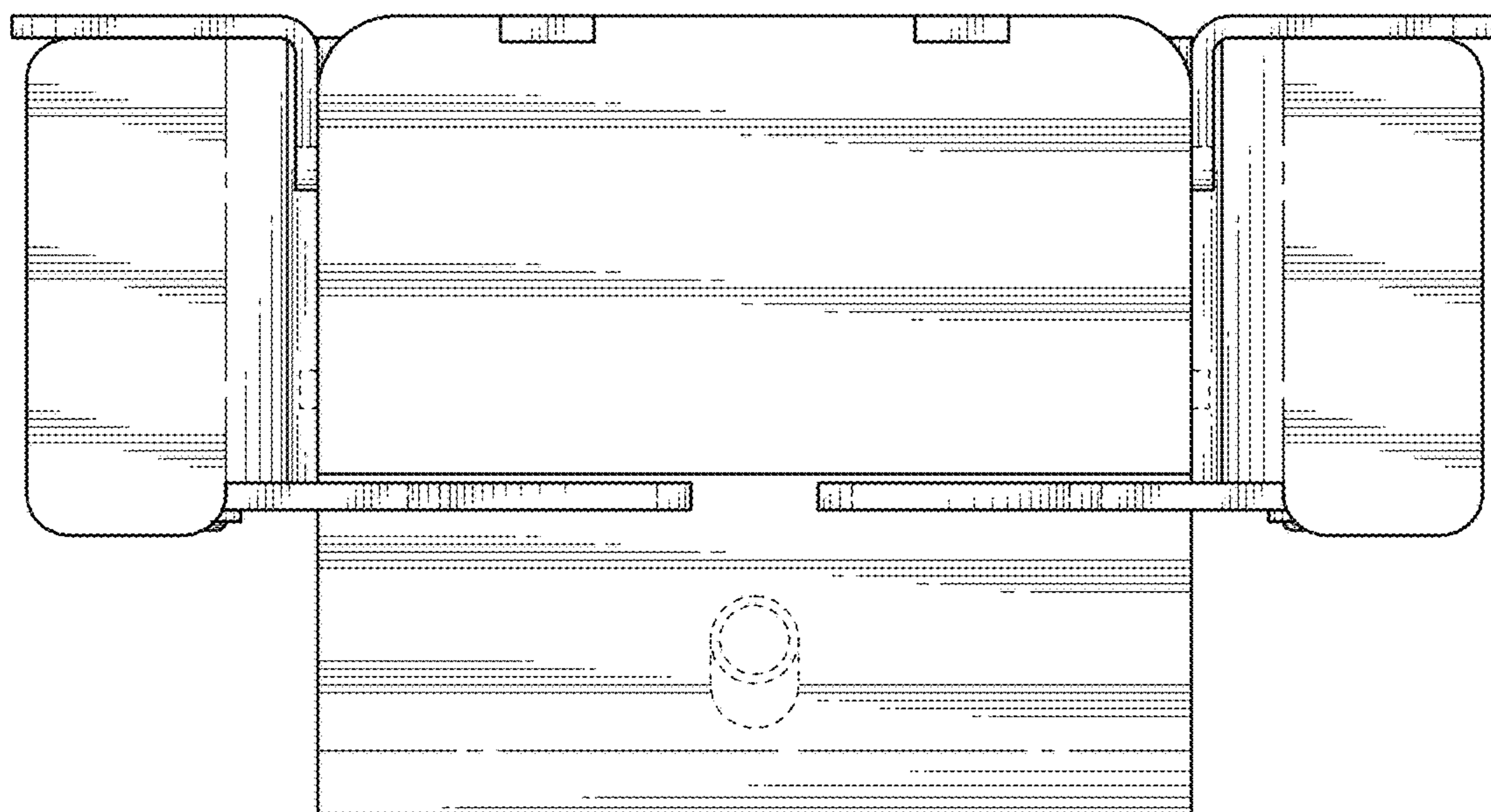


FIG. 14