



US00D789773S

(12) **United States Design Patent**
Kolonia et al.

(10) **Patent No.:** **US D789,773 S**

(45) **Date of Patent:** **** Jun. 20, 2017**

(54) **LATCH BAR**

(71) Applicant: **Scranton Products, Inc.**, Scranton, PA (US)

(72) Inventors: **Robert K. Kolonia**, Milford, NJ (US);
Brian J. Kolonia, Bath, PA (US);
Victor Alunni, Scranton, PA (US)

(73) Assignee: **Scranton Products, Inc.**, Scranton, PA (US)

(**) Term: **15 Years**

(21) Appl. No.: **29/563,225**

(22) Filed: **May 3, 2016**

(51) **LOC (10) Cl.** **08-07**

(52) **U.S. Cl.**
USPC **D8/343**

(58) **Field of Classification Search**
USPC D8/343, 344, 349, 400, 404, 302;
70/431, 452, 57, 69, 78, 80; 292/289,
292/340, 341, 341.14, 341.15, DIG. 2,
292/DIG. 30; 49/394, 460, 504
CPC ... E05B 1/00; E05B 3/00; E05B 15/02; E05B
17/00

See application file for complete search history.

(56) **References Cited**

U.S. PATENT DOCUMENTS

1,820,715 A * 8/1931 Vance E05B 65/025
292/150
2,835,523 A * 5/1958 Chervenka E05B 65/025
292/19
3,158,016 A 11/1964 Fay
3,555,860 A * 1/1971 Atkinson E05B 37/02
292/42
3,637,246 A * 1/1972 Leiter E05C 19/06
292/303

5,509,703 A * 4/1996 Lau E05C 3/042
292/1
5,865,479 A * 2/1999 Viney E05B 47/0603
292/39
6,375,244 B1 * 4/2002 Smeltzer E05C 9/041
292/32
D468,992 S * 1/2003 Votruba D8/343
6,685,285 B1 * 2/2004 Fromme A47B 47/02
312/216
D495,583 S * 9/2004 Senn D8/343
6,793,299 B2 * 9/2004 Newberry A47B 47/042
312/199
6,851,196 B1 2/2005 Fry Leever et al.
D520,860 S * 5/2006 Martin D8/343
7,828,399 B1 11/2010 Bass
D777,558 S * 1/2017 Magee E05B 15/025
D8/343

2008/0179898 A1 7/2008 Juga et al.

* cited by examiner

Primary Examiner — Prabhakar Deshmukh

(74) *Attorney, Agent, or Firm* — Buchanan Ingersoll & Rooney PC

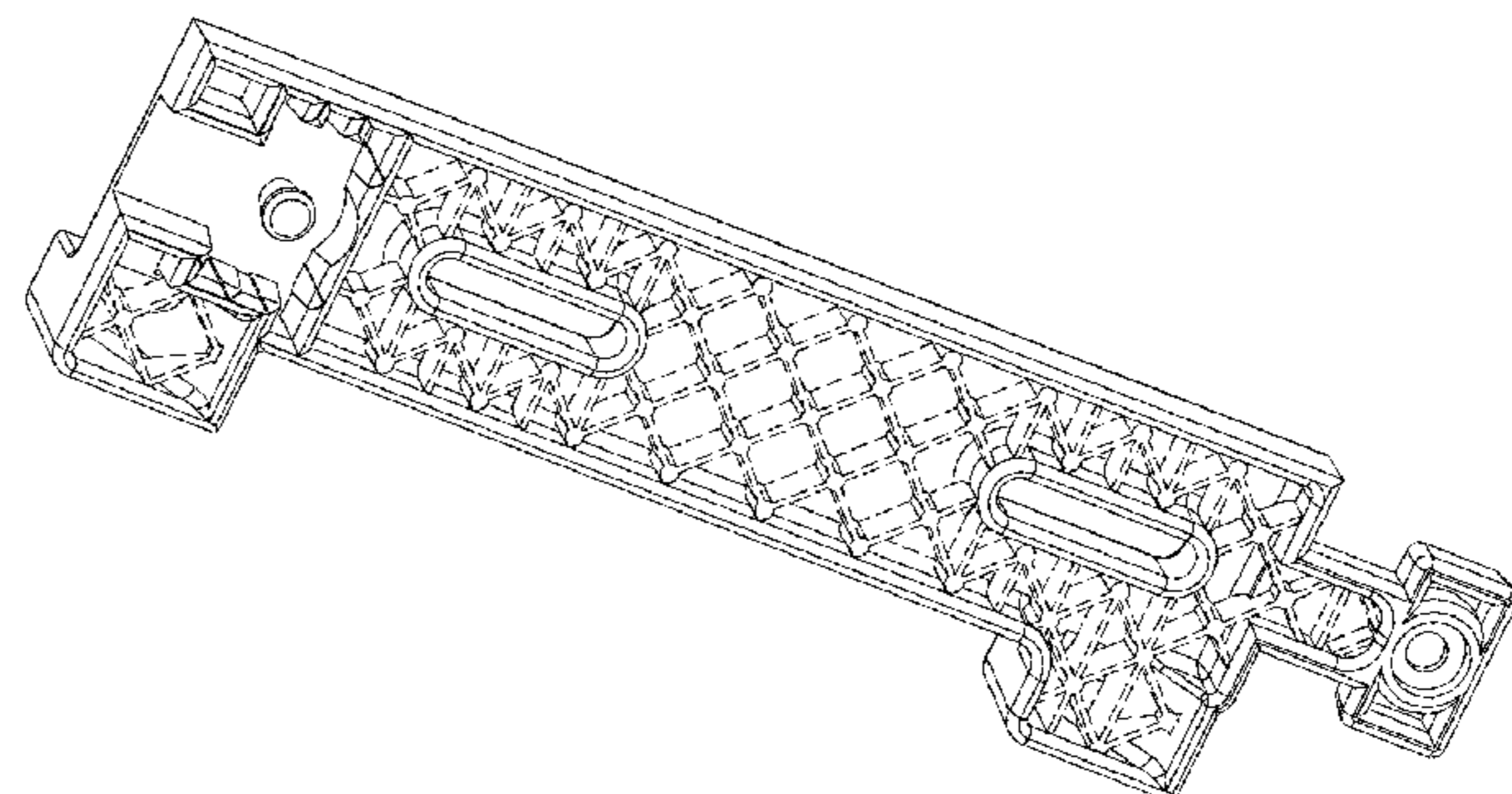
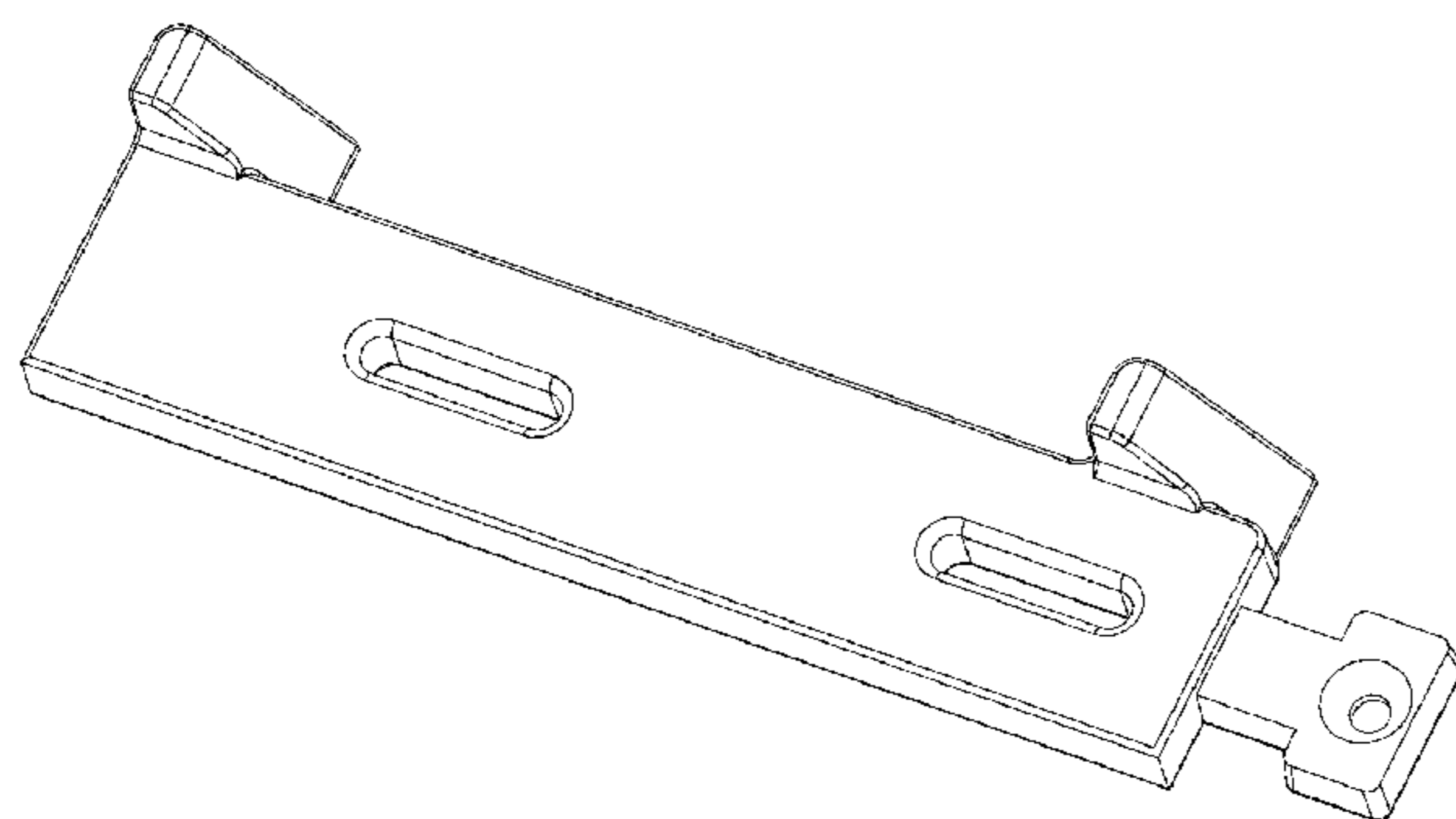
(57) **CLAIM**

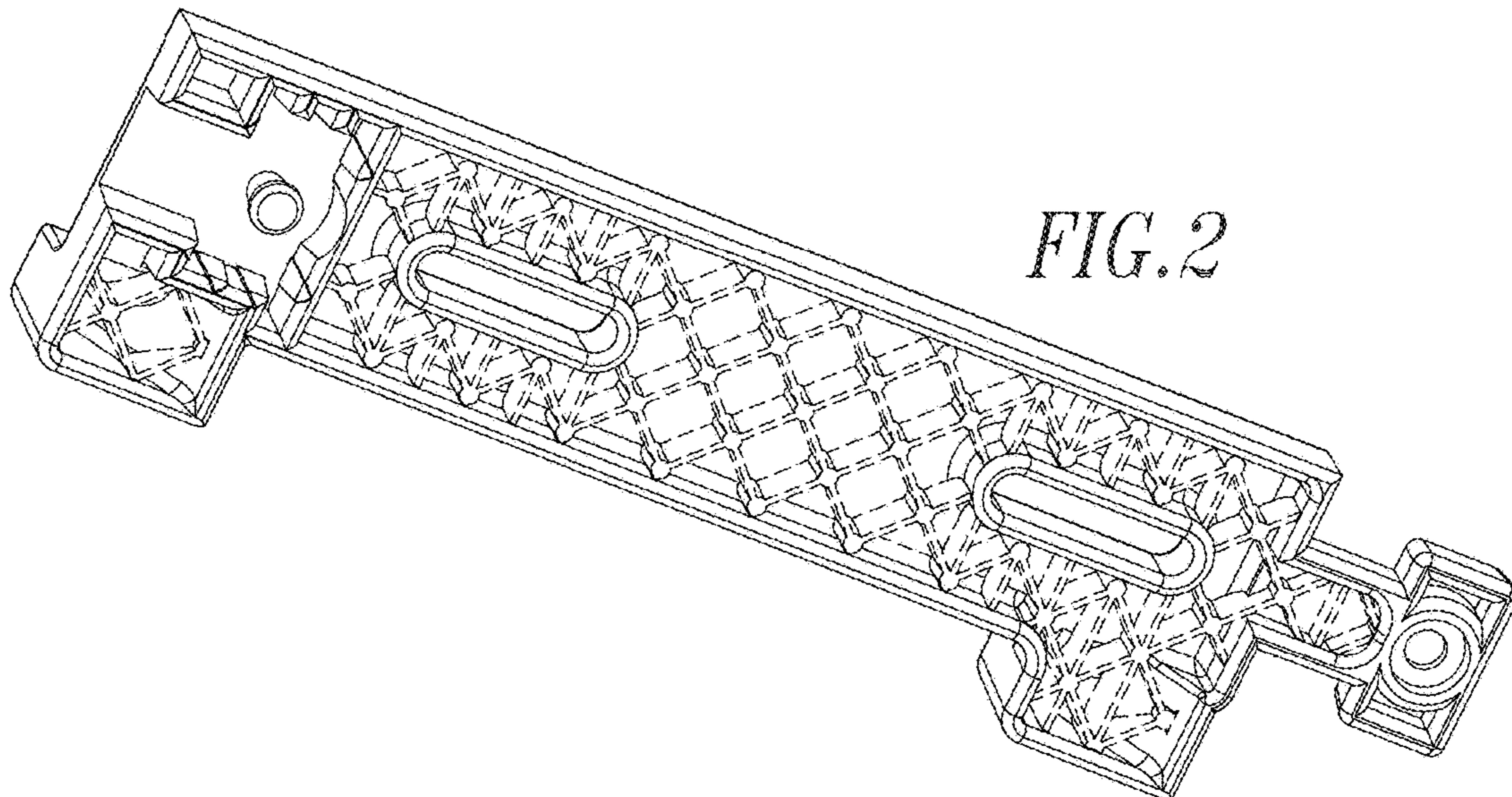
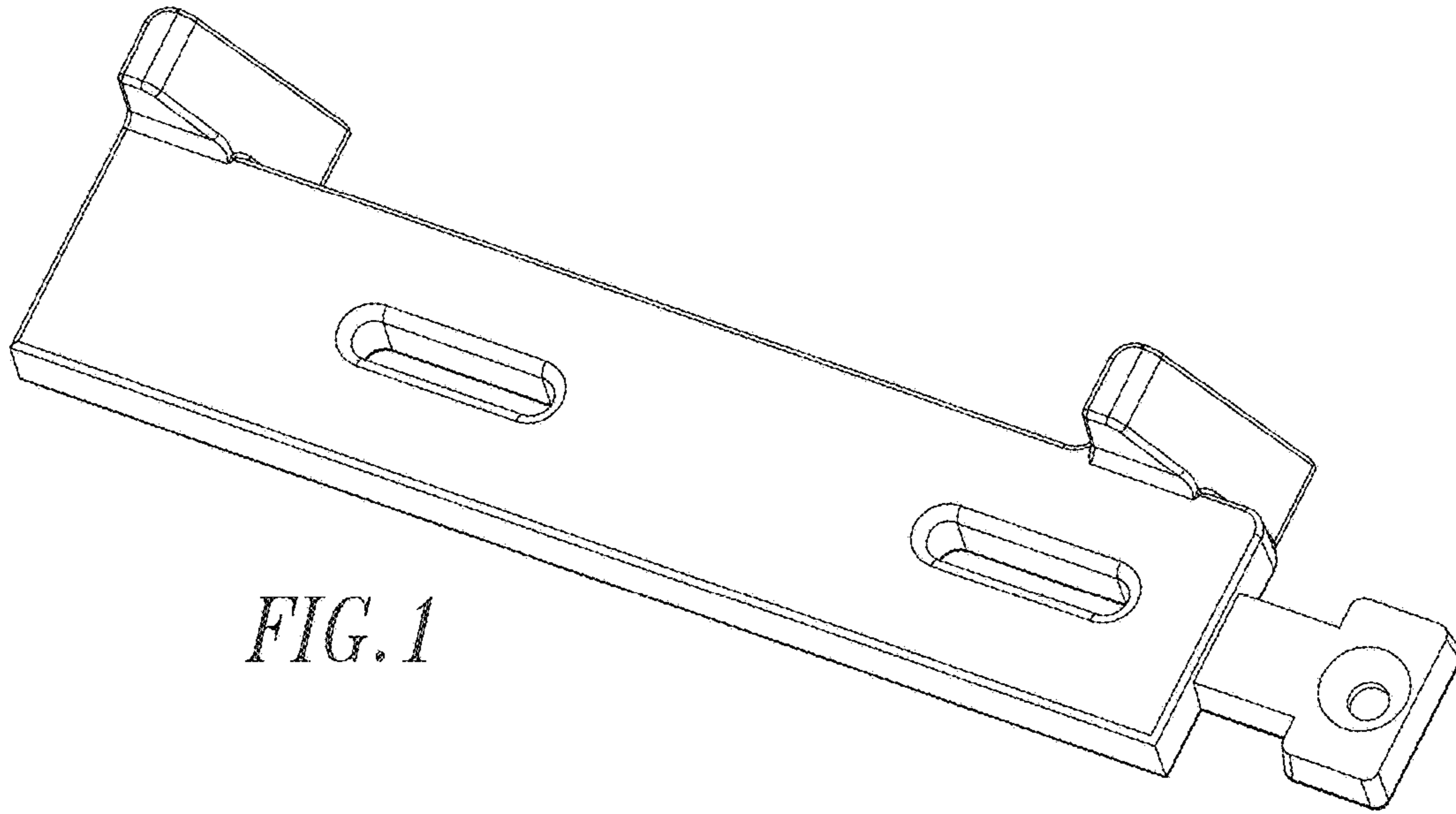
The ornamental design for a latch bar, as shown and described.

DESCRIPTION

FIG. 1 is a front perspective view of our latch bar;
FIG. 2 is a rear perspective view thereof,
FIG. 3 is a front view thereof;
FIG. 4 is a rear view thereof;
FIG. 5 is a top view thereof;
FIG. 6 is a bottom side view thereof;
FIG. 7 is a right side view thereof; and,
FIG. 8 is a left side view thereof.
The optional reinforcing ribs shown in broken lines in FIGS. 2 and 4 form no part of the claimed design.

1 Claim, 3 Drawing Sheets





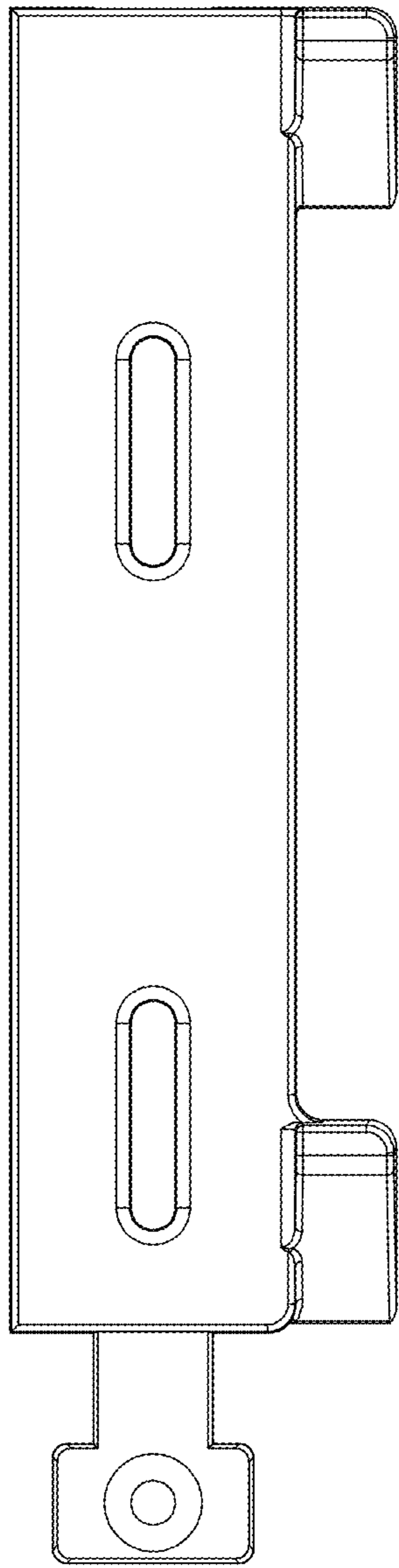


FIG. 3

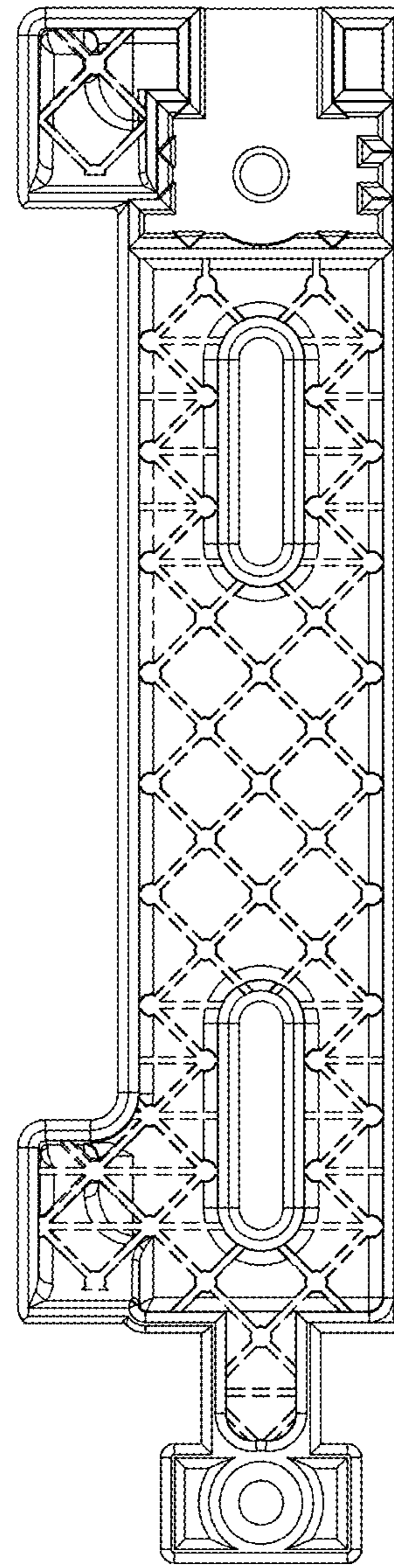


FIG. 4

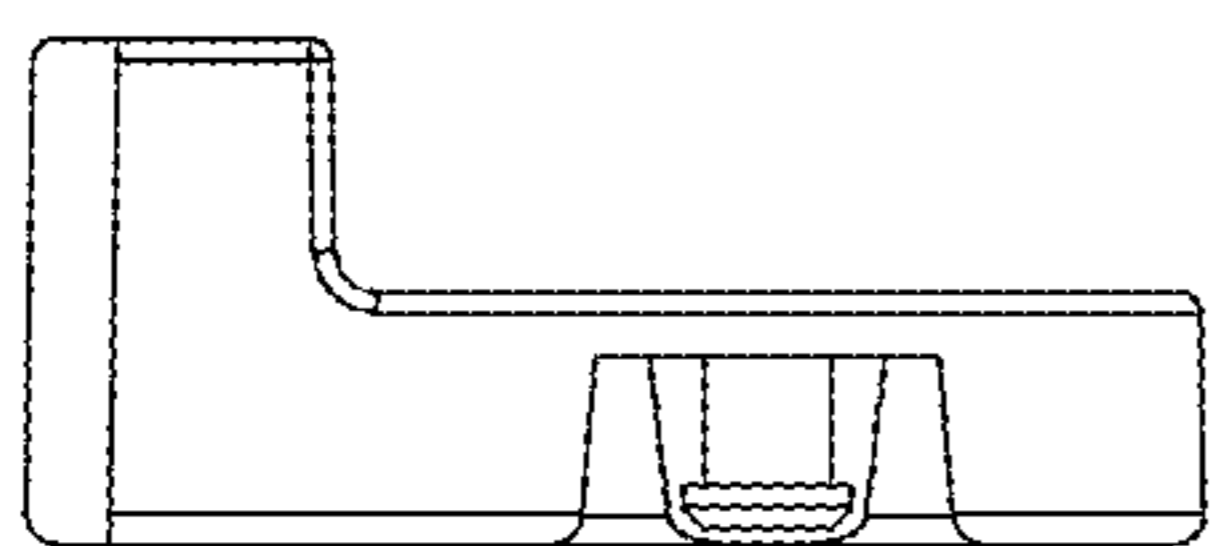


FIG. 5

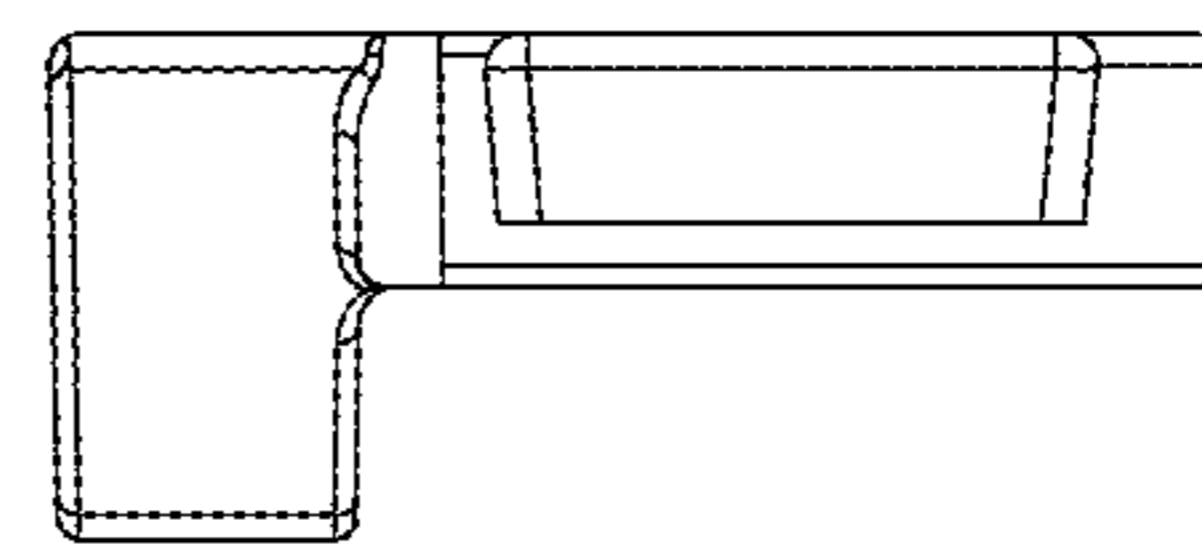


FIG. 6

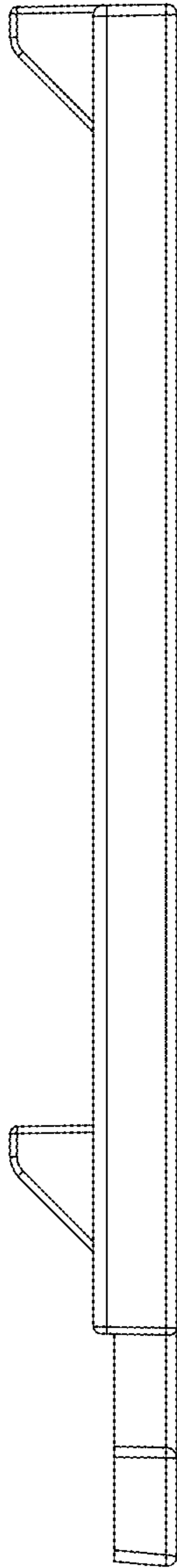


FIG. 7

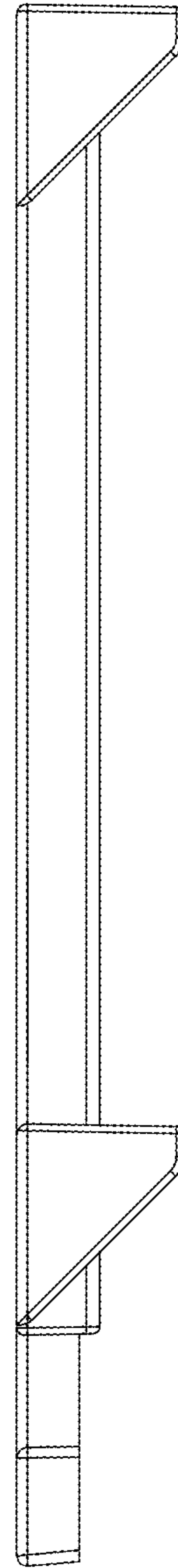


FIG. 8