



US00D789771S

(12) **United States Design Patent**
Tung

(10) **Patent No.:** **US D789,771 S**
(45) **Date of Patent:** **** Jun. 20, 2017**

- (54) **HANDLE LATCH**
- (71) Applicant: **Marine Town Inc.**, New Taipei (TW)
- (72) Inventor: **Chin-Chung Tung**, New Taipei (TW)
- (73) Assignee: **Marine Town Inc.**, New Taipei (TW)
- (**) Term: **15 Years**
- (21) Appl. No.: **29/543,404**
- (22) Filed: **Oct. 23, 2015**
- (51) **LOC (10) Cl.** **08-07**
- (52) **U.S. Cl.**
USPC **D8/331**
- (58) **Field of Classification Search**
USPC D8/330, 331, 335, 339, 302, 343;
70/141, 208, 129, 14; 292/336.3, 169,
292/358, 359, 170, 175, 165, 224,
292/140-145, 240-242, DIG. 14, DIG. 30,
292/DIG. 31, DIG. 4, 205
CPC E05B 13/10; E05B 15/00; E05B 65/06;
E05C 3/04; E05C 1/04
See application file for complete search history.

- 7,452,010 B2 * 11/2008 Cotton E05B 1/0092
292/100
- D587,558 S * 3/2009 Sarnowski D8/301
- D590,234 S * 4/2009 Wu D8/331
- D621,685 S * 8/2010 Sarnowski D8/331
- 8,167,273 B2 * 5/2012 Sjostedt B66D 1/7473
254/278
- 8,272,240 B1 * 9/2012 Schilens E05B 1/0092
292/336.3
- D678,750 S * 3/2013 Tung D8/331
- D729,609 S * 5/2015 Le D8/331

* cited by examiner

Primary Examiner — Prabhakar G Deshmukh
(74) *Attorney, Agent, or Firm* — WPAT, P.C., Intellectual
Property Attorneys; Anthony King

(57) **CLAIM**

The ornamental design for a “handle latch,” as shown and described.

DESCRIPTION

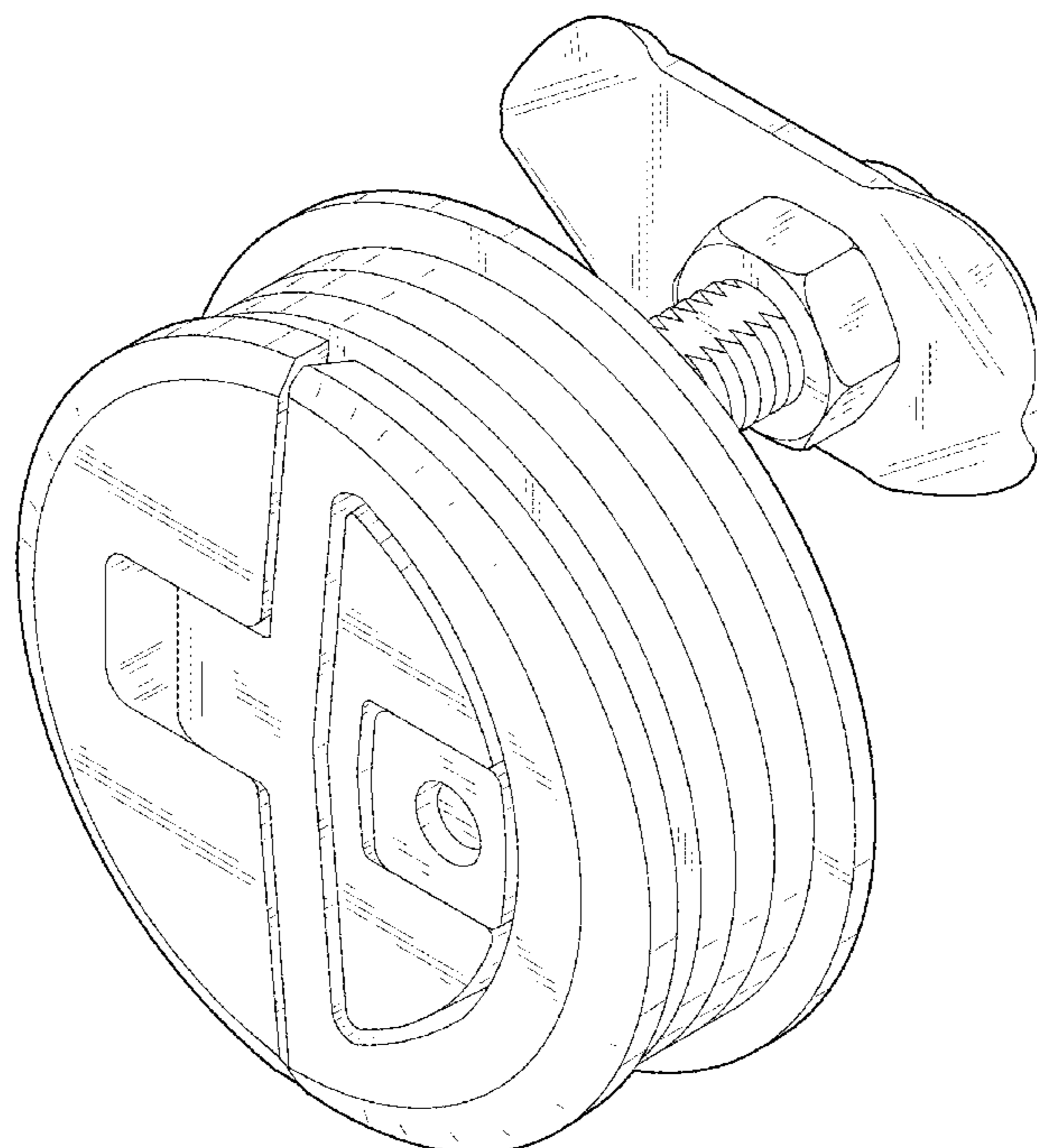
FIG. 1 is a perspective view of a handle latch showing our new design thereof;
FIG. 2 is a front elevational view thereof;
FIG. 3 is a rear elevational view thereof;
FIG. 4 is a left side elevational view thereof;
FIG. 5 is a right side elevational view thereof;
FIG. 6 is a top plan view thereof;
FIG. 7 is a bottom plan view; and,
FIG. 8 is another perspective view thereof.
The broken lines shown are included for the purpose of illustrating the unclaimed portions of the article and form no part of the claim, and.

1 Claim, 8 Drawing Sheets

(56) **References Cited**

U.S. PATENT DOCUMENTS

- 5,915,908 A * 6/1999 Beutler E04H 6/285
414/263
- D442,844 S * 5/2001 Mirick D8/301
- 6,460,902 B1 * 10/2002 Kyle E05C 1/145
114/203
- 6,709,030 B2 * 3/2004 Furlong E05B 17/002
292/121
- D565,930 S * 4/2008 Peng D8/331



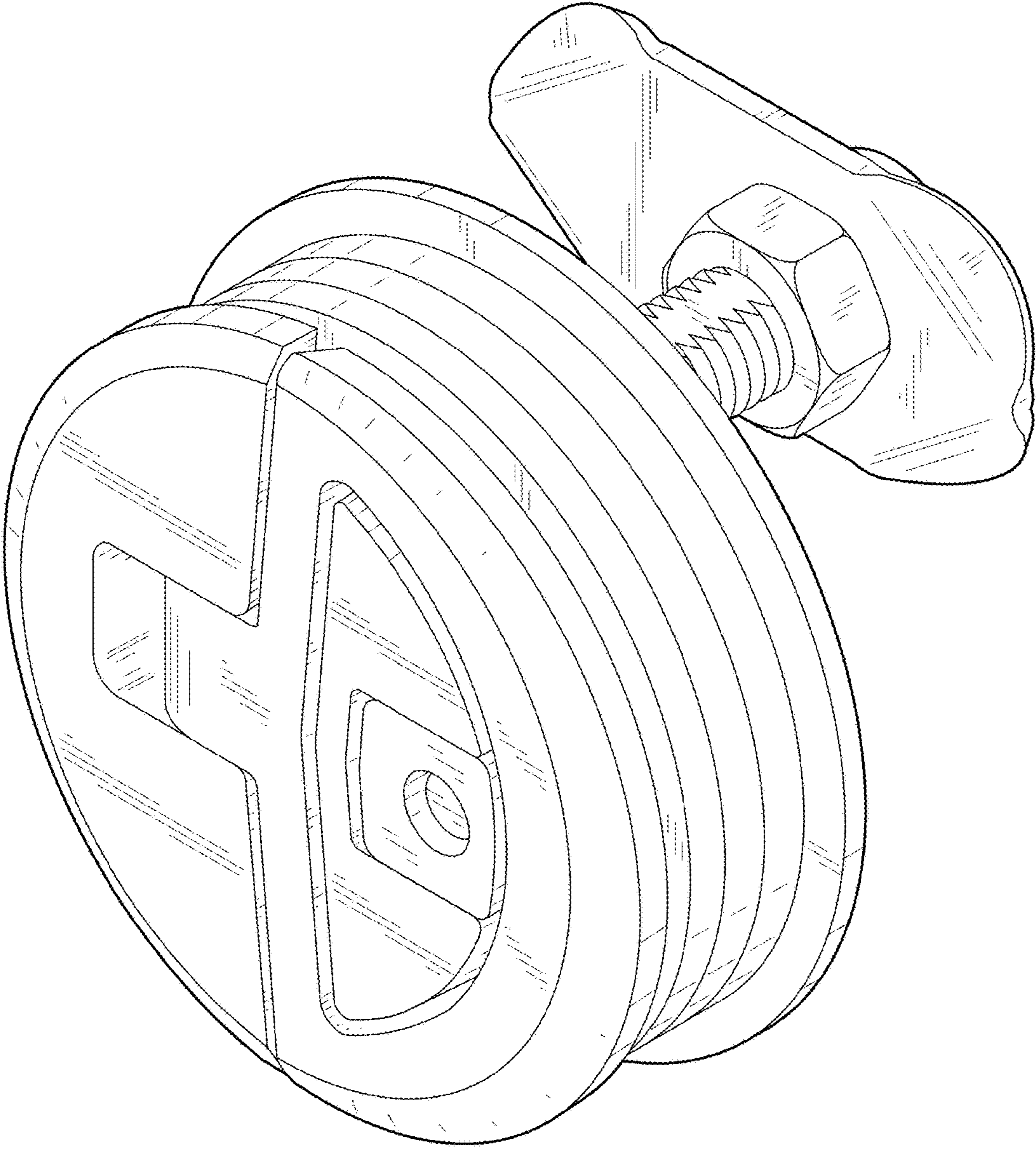


FIG. 1

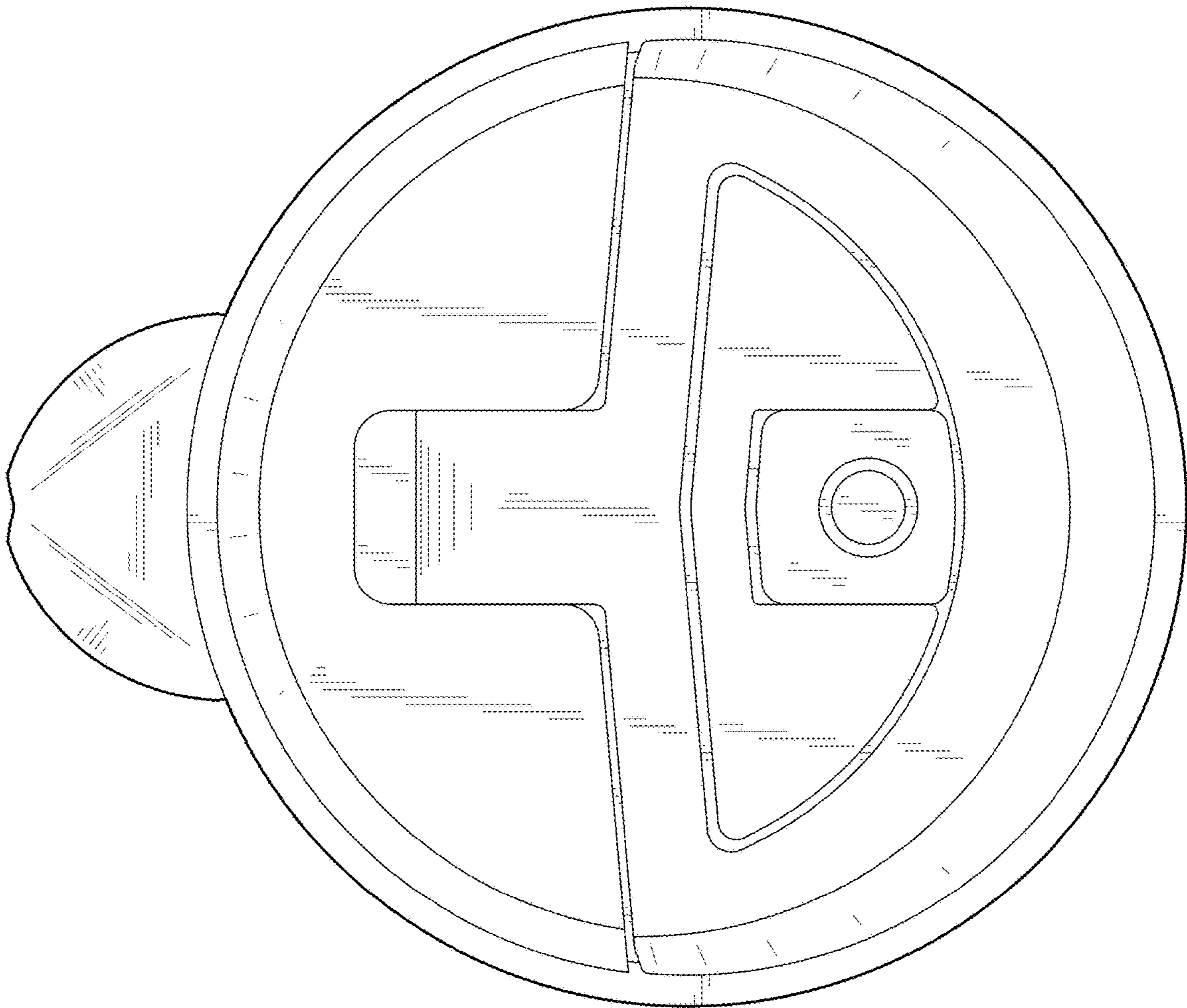


FIG. 2

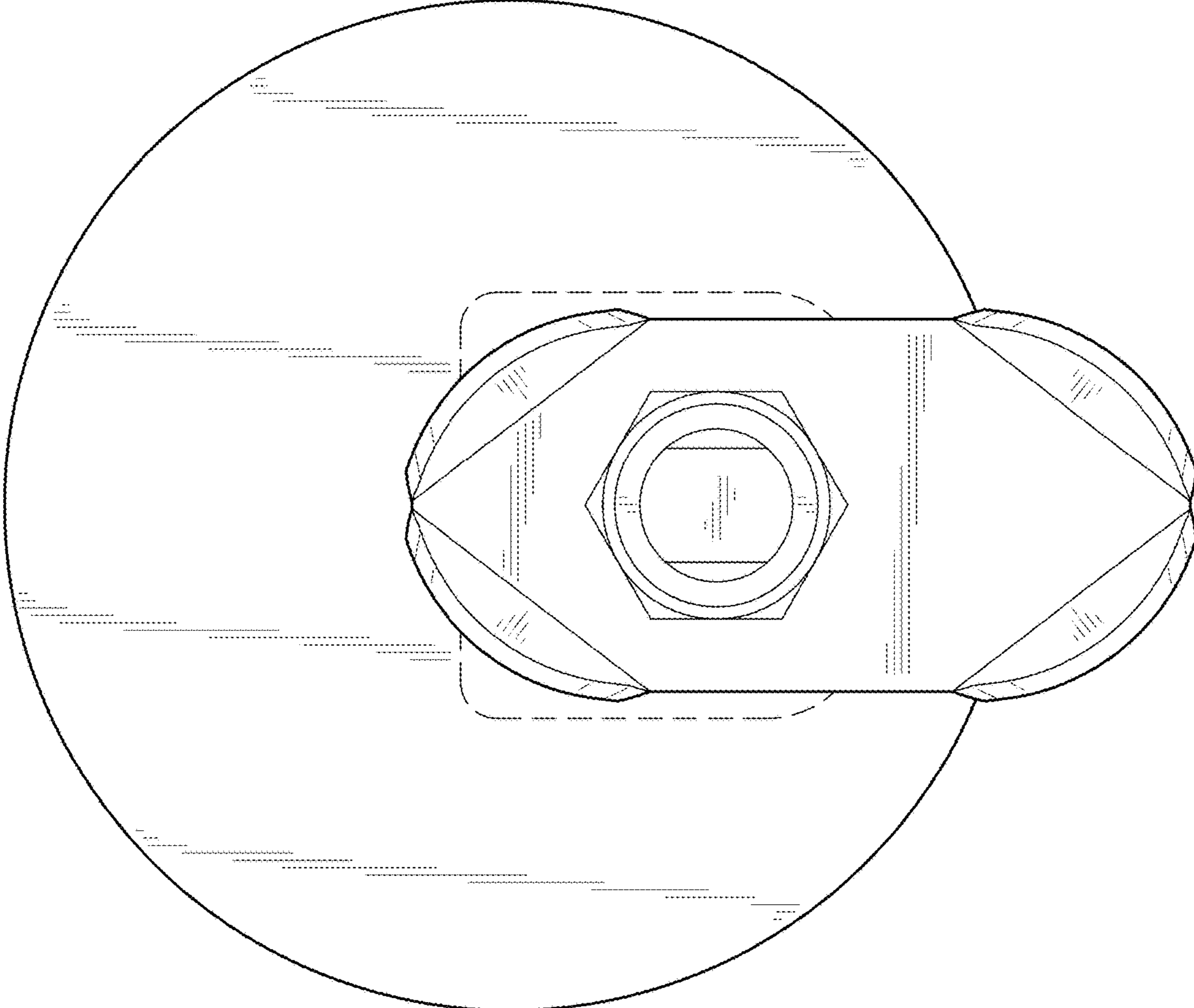


FIG. 3

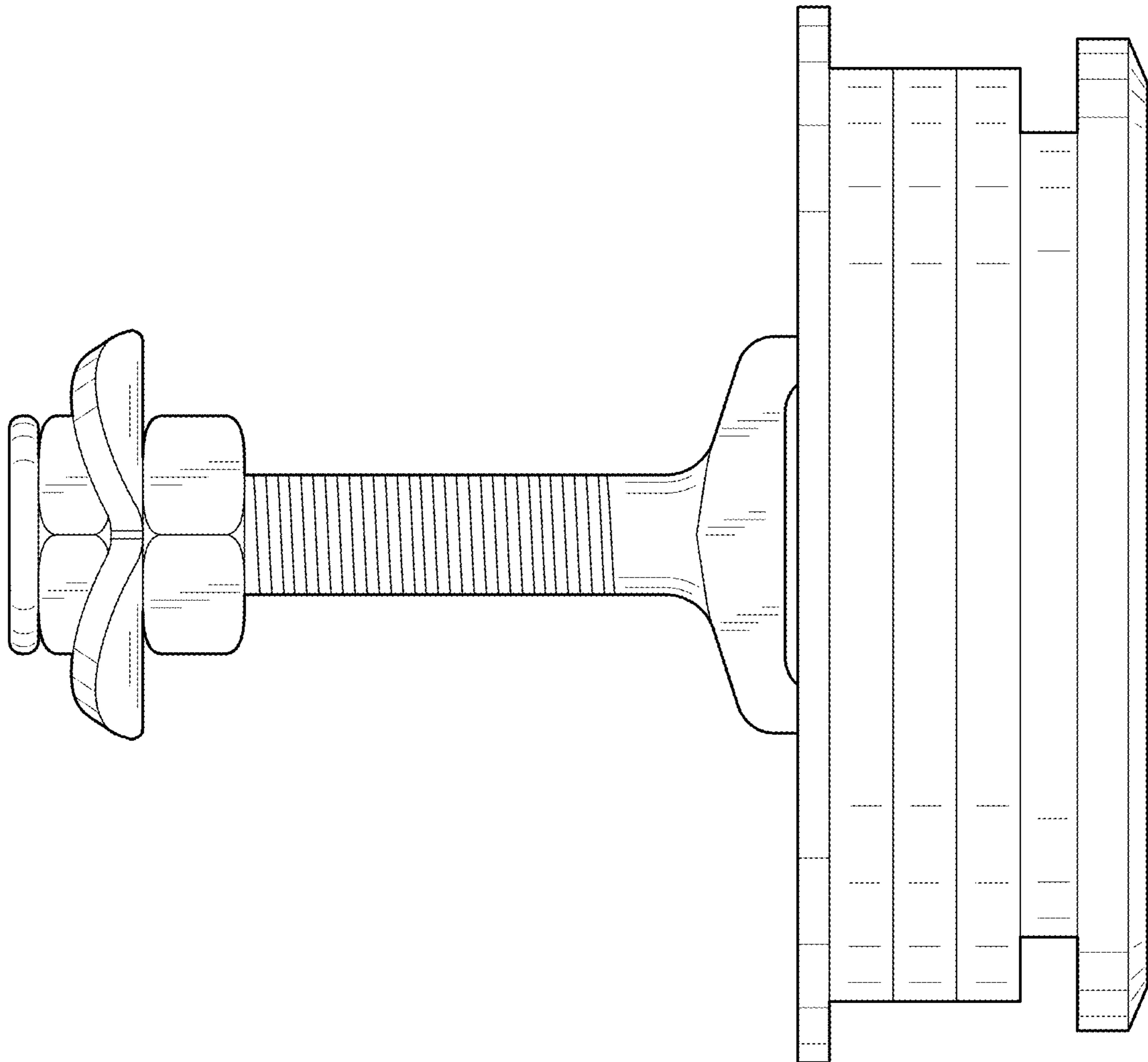


FIG. 4

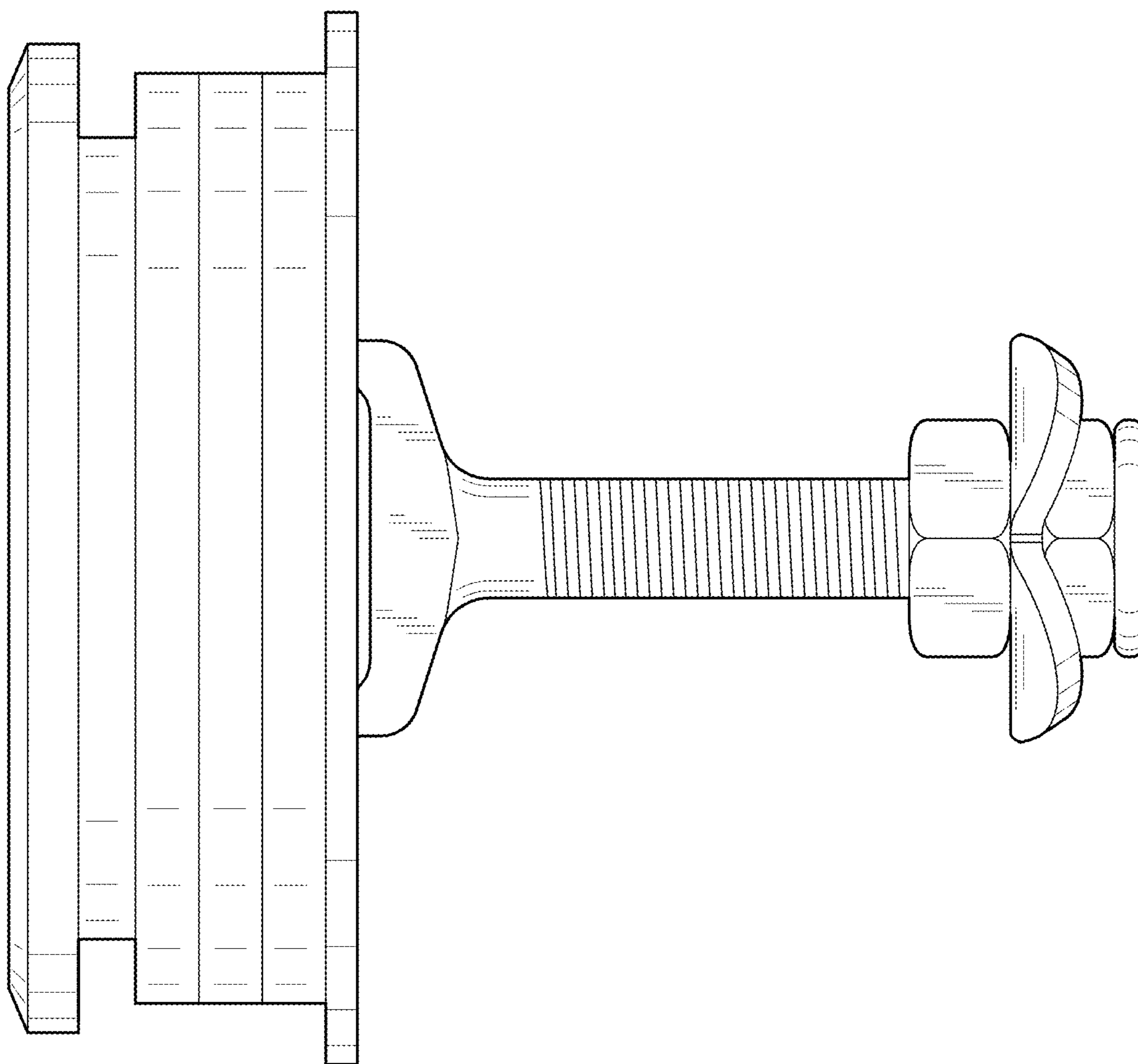


FIG. 5

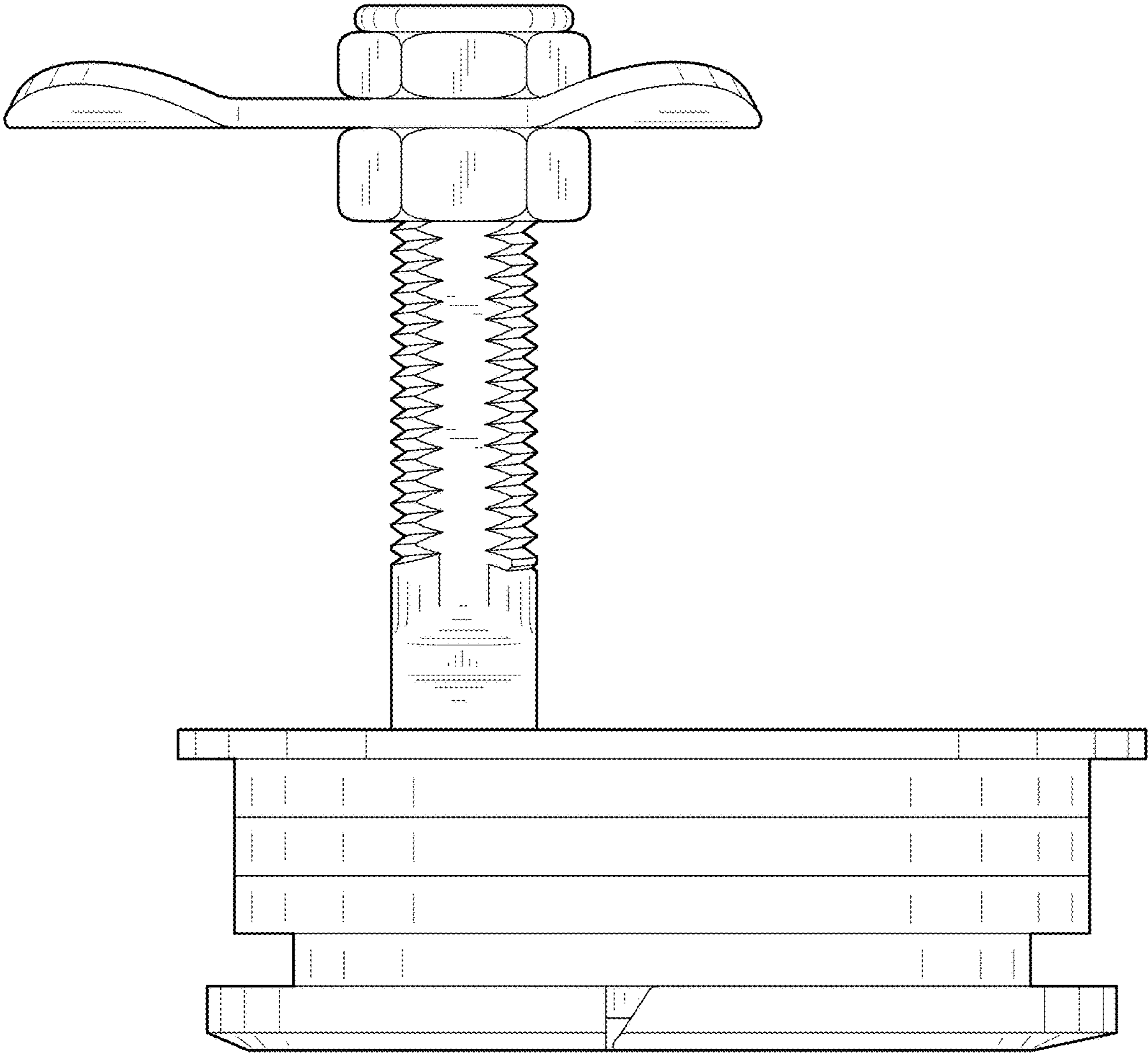


FIG. 6

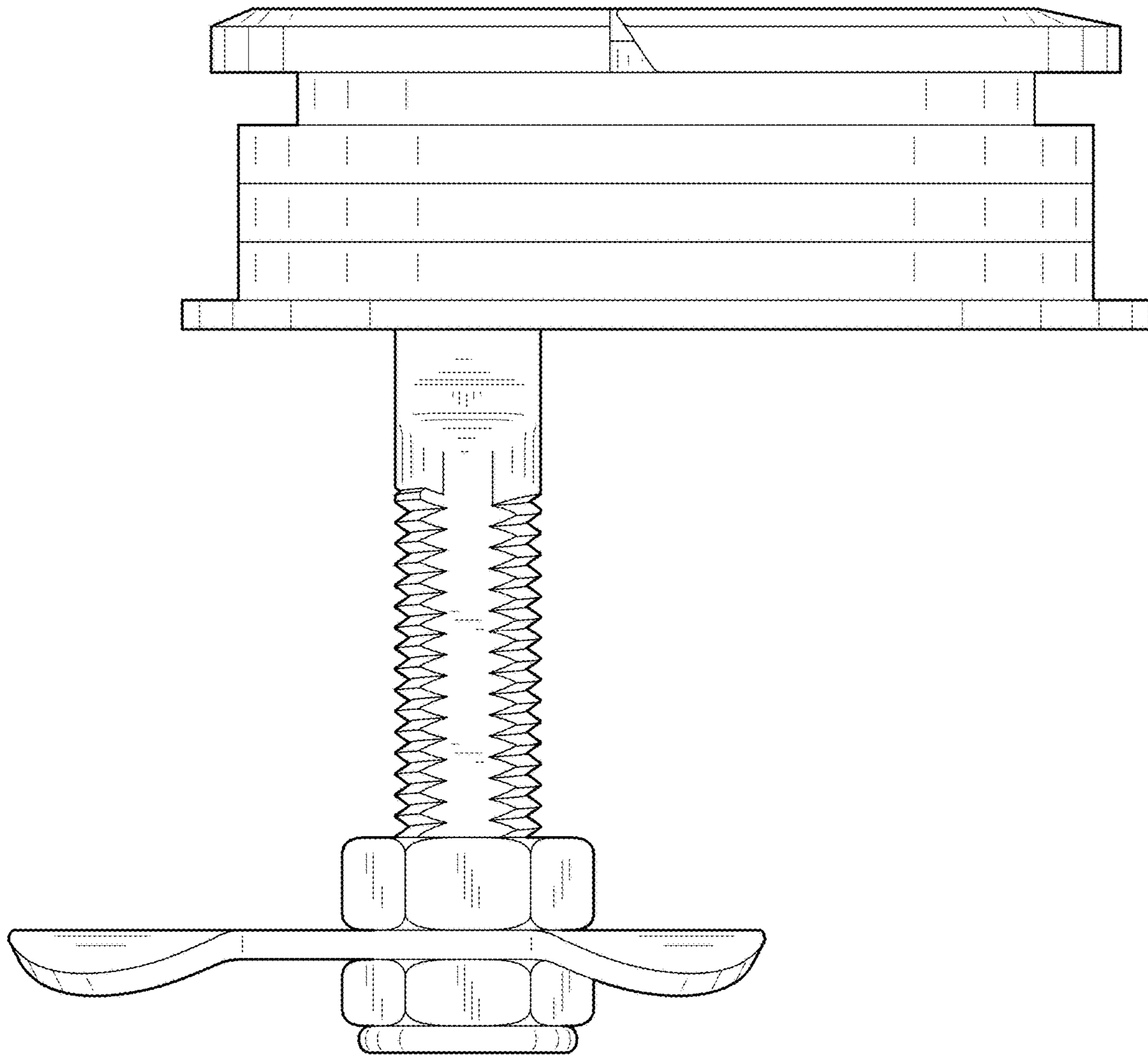


FIG. 7

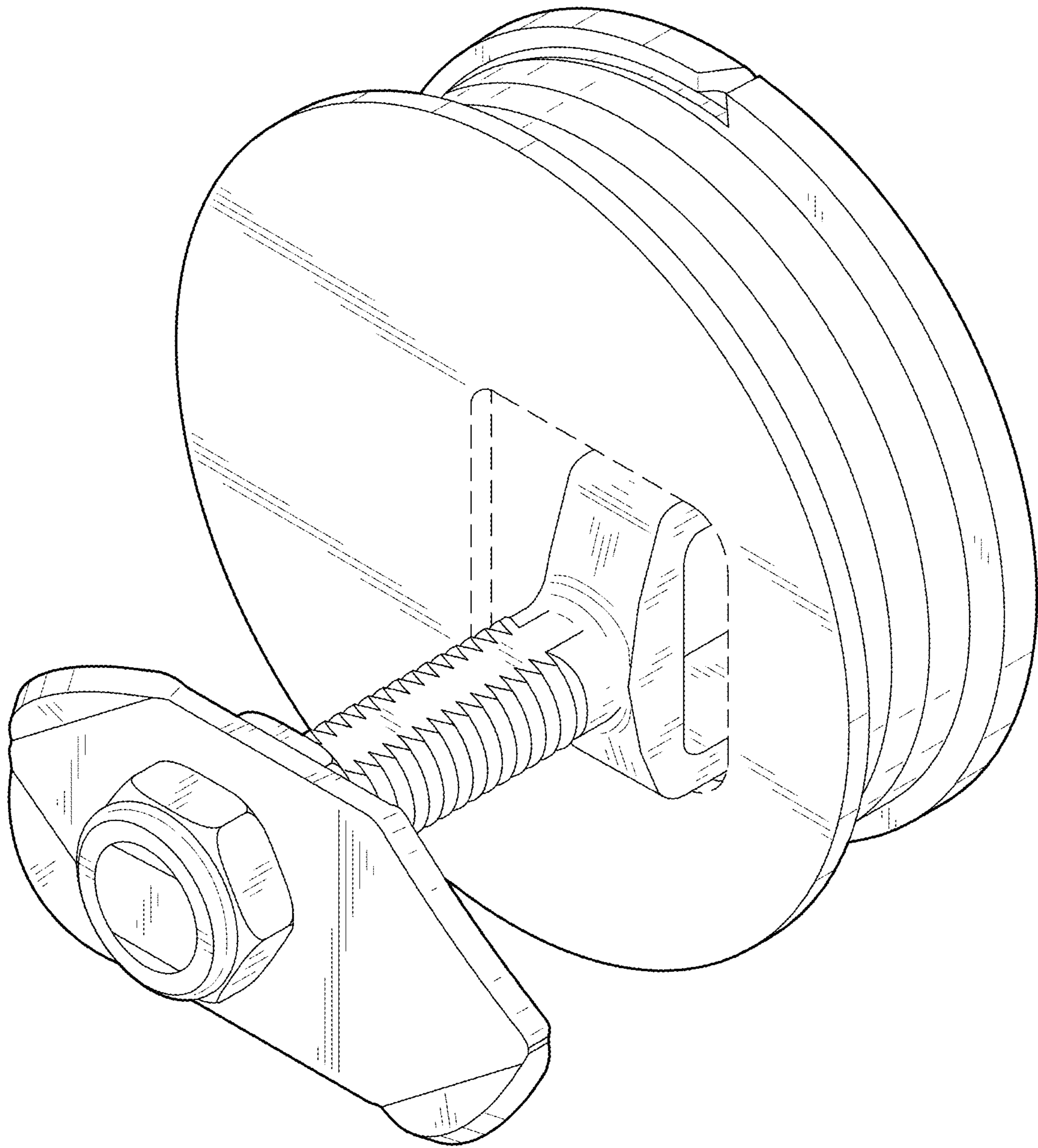


FIG. 8