



US00D789770S

(12) **United States Design Patent** (10) **Patent No.:** **US D789,770 S**
Reeb et al. (45) **Date of Patent:** **** Jun. 20, 2017**

(54) **CONTAINER LOCK**

(71) Applicant: **Serio-Us Industries, Inc.**, Baltimore, MD (US)

(72) Inventors: **David L. Reeb**, Sykesville, MD (US); **James L. Martin, II**, Gambrills, MD (US)

(73) Assignee: **Serio-Us Industries, Inc.**, Baltimore, MD (US)

(**) Term: **15 Years**

(21) Appl. No.: **29/566,757**

(22) Filed: **Jun. 2, 2016**

(51) **LOC (10) Cl.** **08-07**

(52) **U.S. Cl.**
USPC **D8/330; D8/343**

(58) **Field of Classification Search**
USPC D8/330, 331, 333, 336, 339, 343-346, D8/400; 70/14, 57, 57.1, 64, 67, 69, 70, 70/77, 333 R, 466; 292/205, 148, 230, 292/231, 238, 260-264, 909, 912, 916
CPC E05C 3/12; E05C 3/16; E05C 3/00; B65F 1/1615; B65F 1/14
See application file for complete search history.

(56) **References Cited**

U.S. PATENT DOCUMENTS

5,090,753 A 2/1992 Goodman
5,094,358 A * 3/1992 Serio, Sr. E05C 3/048
220/315
5,474,341 A * 12/1995 Putman B65F 1/1615
220/315
5,662,364 A 9/1997 Reeb et al.

5,683,126 A * 11/1997 De Vivo B65F 1/1615
220/315

5,997,052 A 12/1999 Reeb et al.
D463,248 S * 9/2002 Rafferty D8/343
D498,409 S * 11/2004 Haas D8/330
D499,953 S * 12/2004 Haggard D8/343
D515,417 S * 2/2006 Haggard D8/343
D548,044 S * 8/2007 Tang D8/323
7,740,429 B2 * 6/2010 Marmur B60P 7/13
410/77

7,806,447 B2 10/2010 Reeb
D708,041 S * 7/2014 Day D8/333
9,279,273 B2 * 3/2016 Eriksson E05B 1/0038
D756,744 S * 5/2016 Weisshaupt D8/331
9,447,618 B2 * 9/2016 Albers E05C 19/12

2014/0208813 A1 7/2014 Reeb
2015/0314957 A1 11/2015 Reeb
2016/0159569 A1 6/2016 Reeb et al.
2016/0159570 A1 6/2016 Reeb et al.

* cited by examiner

Primary Examiner — Prabhakar G Deshmukh
(74) *Attorney, Agent, or Firm* — Berenato & White, LLC

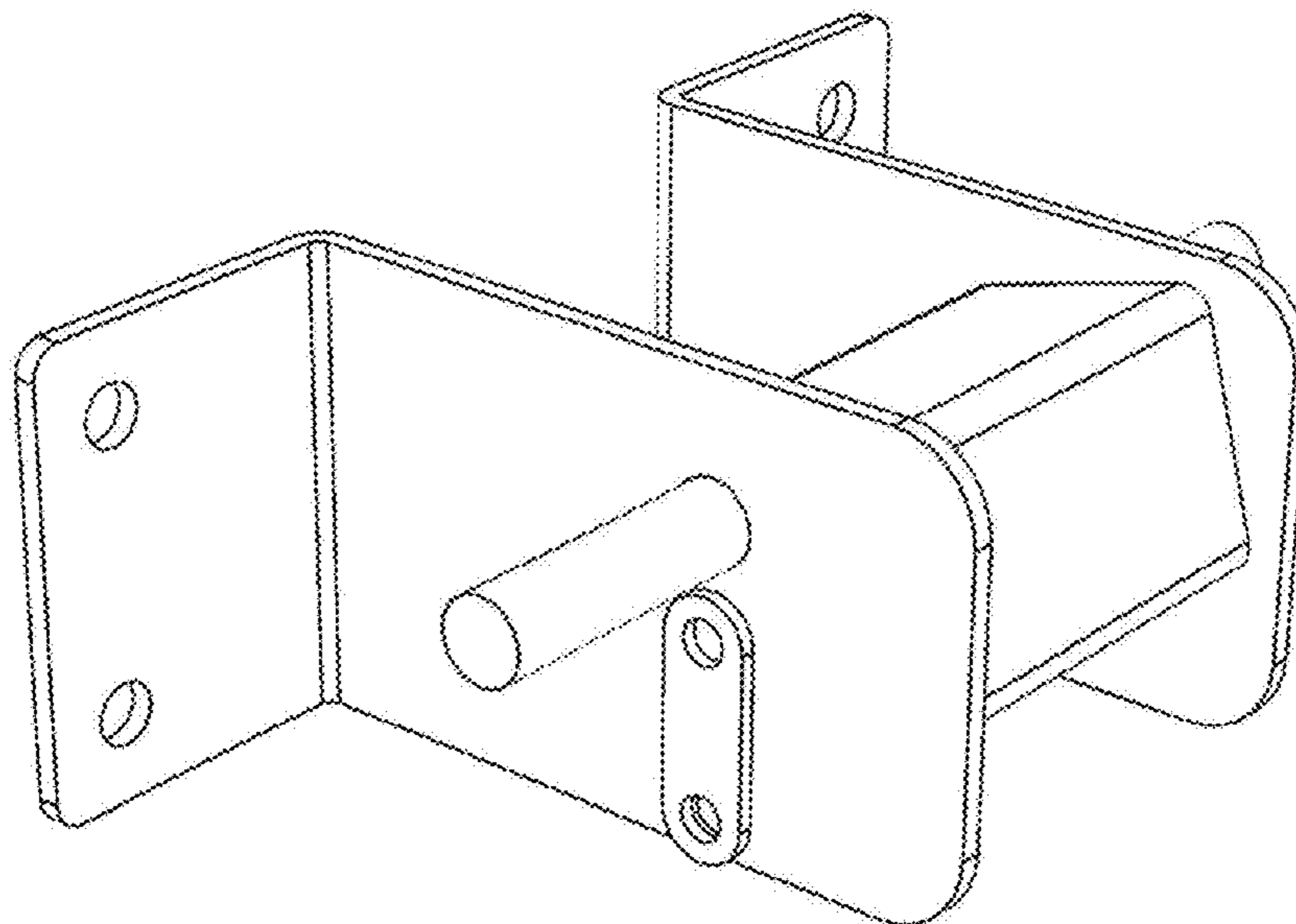
(57) **CLAIM**

The ornamental design for a container lock, as shown and described.

DESCRIPTION

FIG. 1 is a left front perspective view of a container lock showing our new design;
FIG. 2 is a right front perspective view
FIG. 3 is a top plan view;
FIG. 4 is front elevational view;
FIG. 5 is a right side elevational view;
FIG. 6 is a rear elevational view;
FIG. 7 is a left side elevational view; and,
FIG. 8 is a bottom plan view.

1 Claim, 8 Drawing Sheets



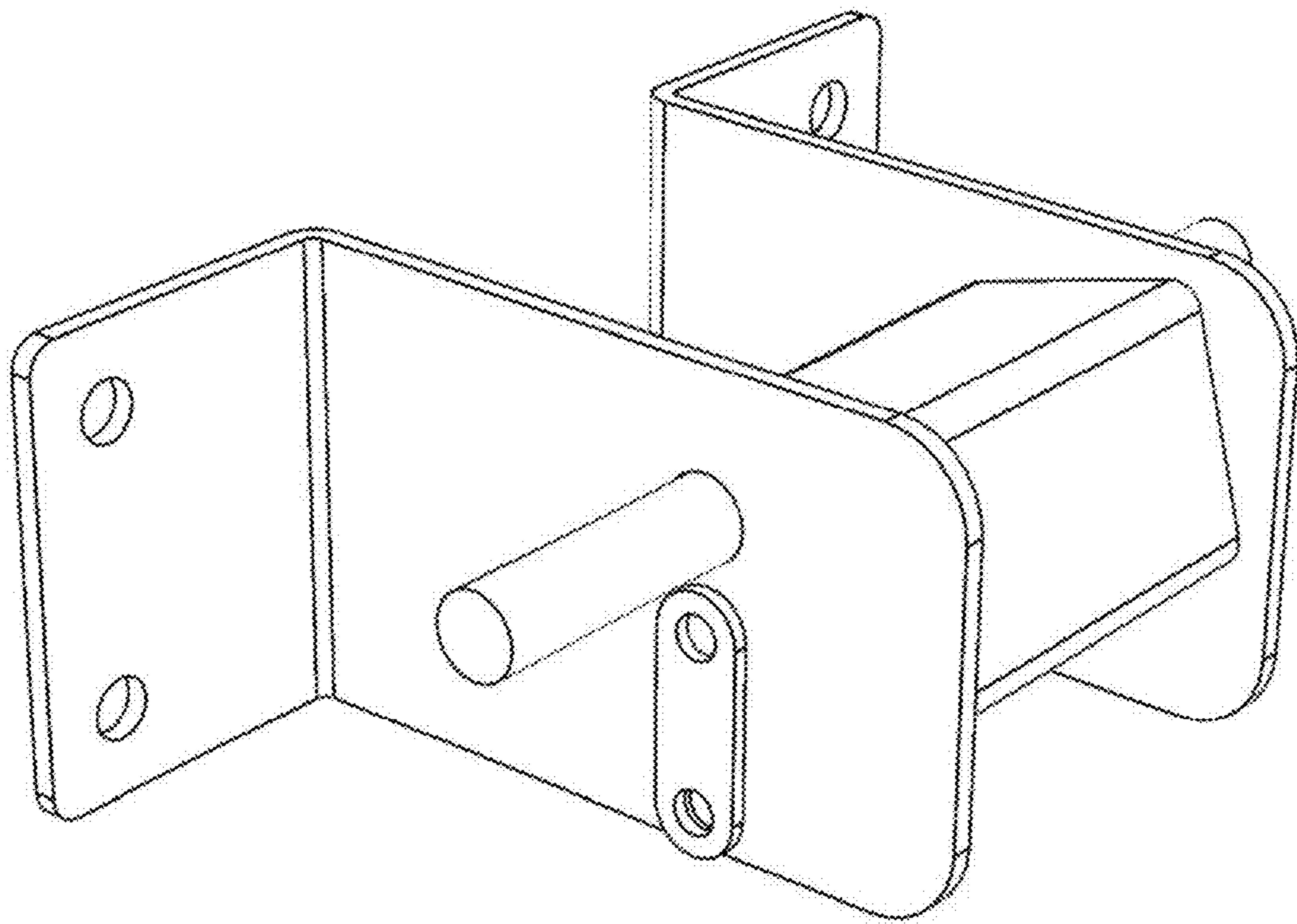


FIG. 1

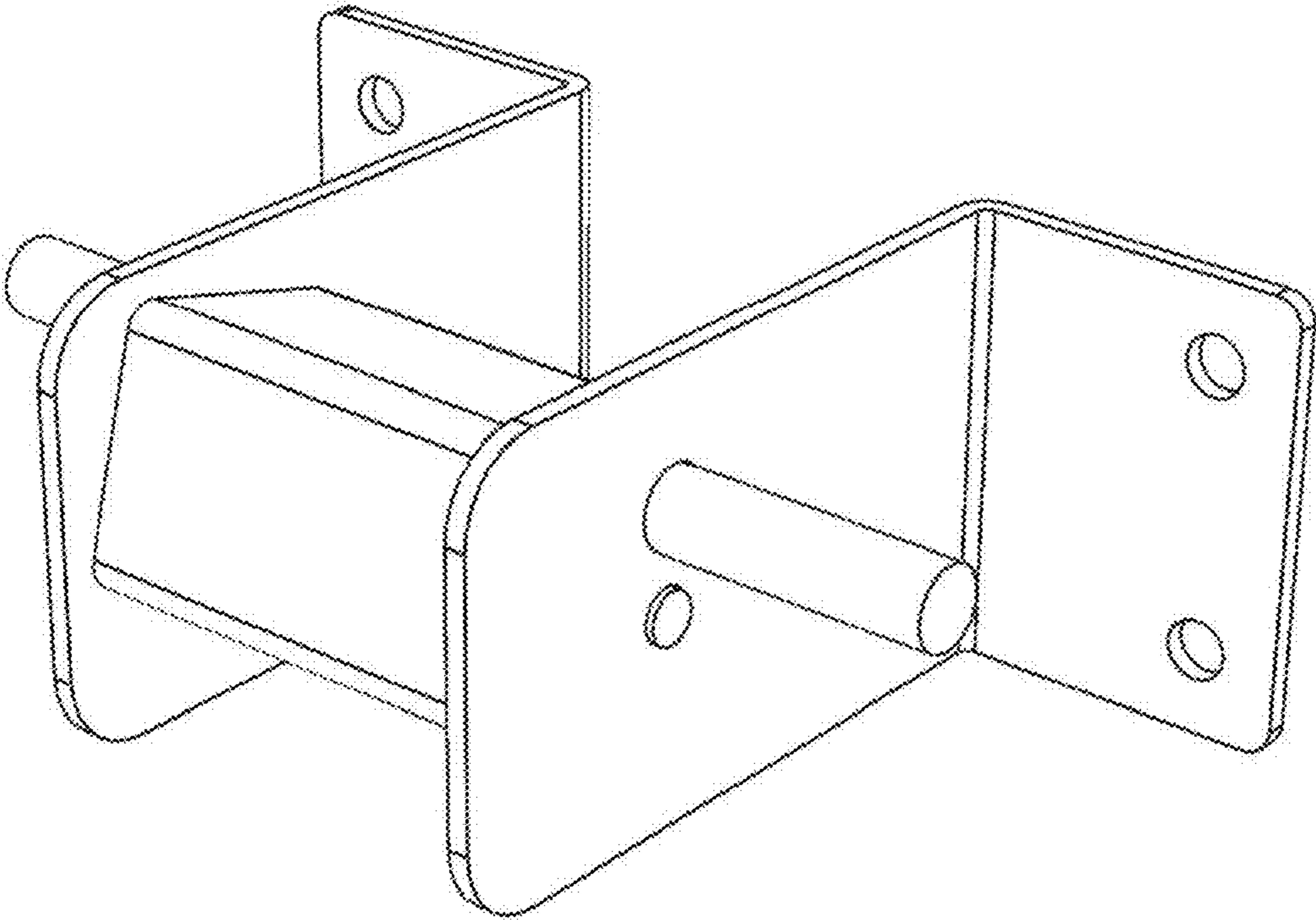


FIG. 2

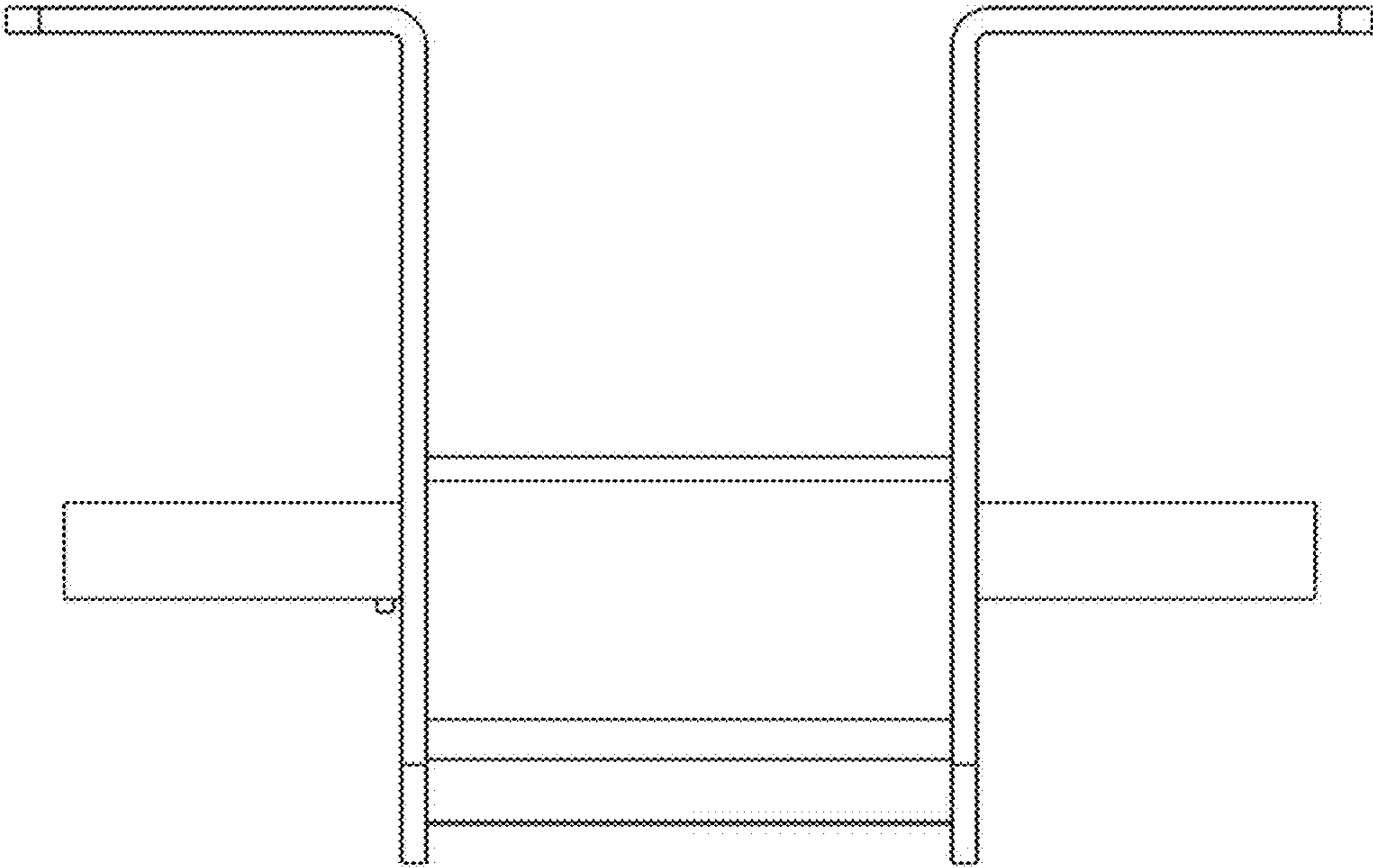


FIG. 3

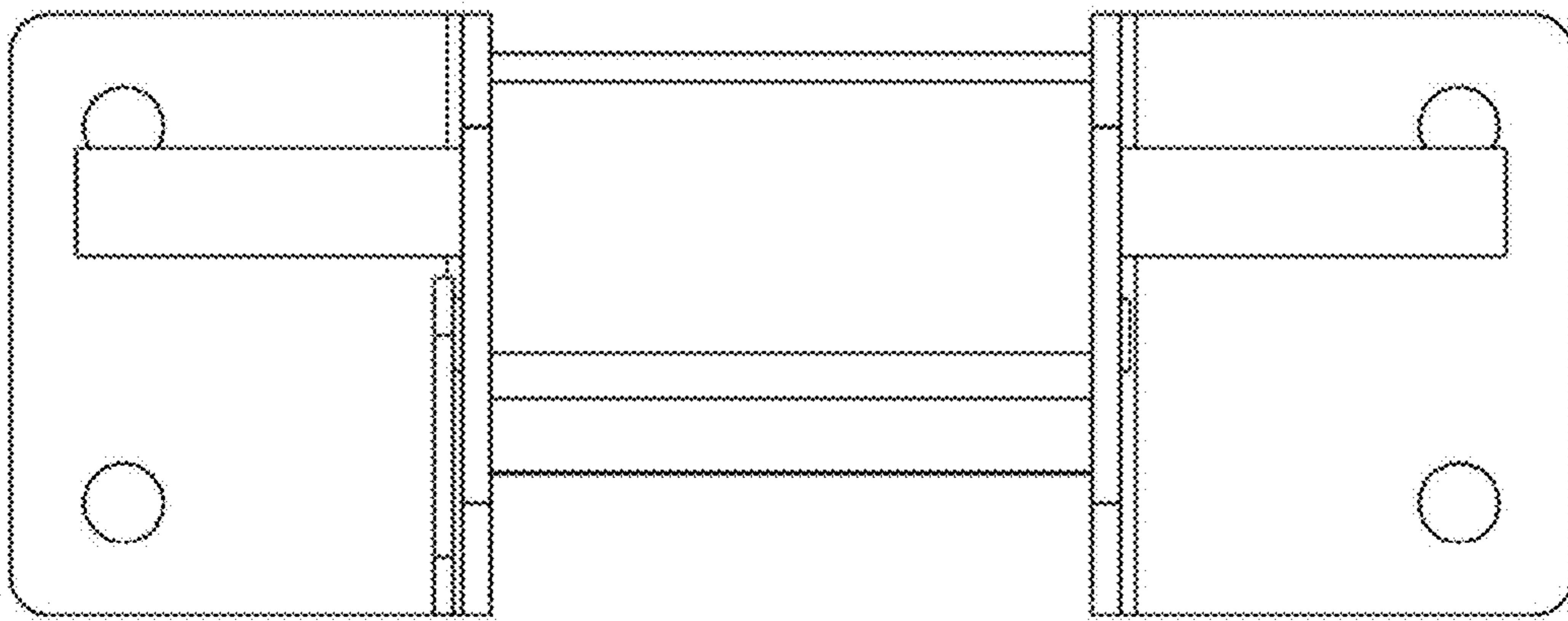


FIG. 4

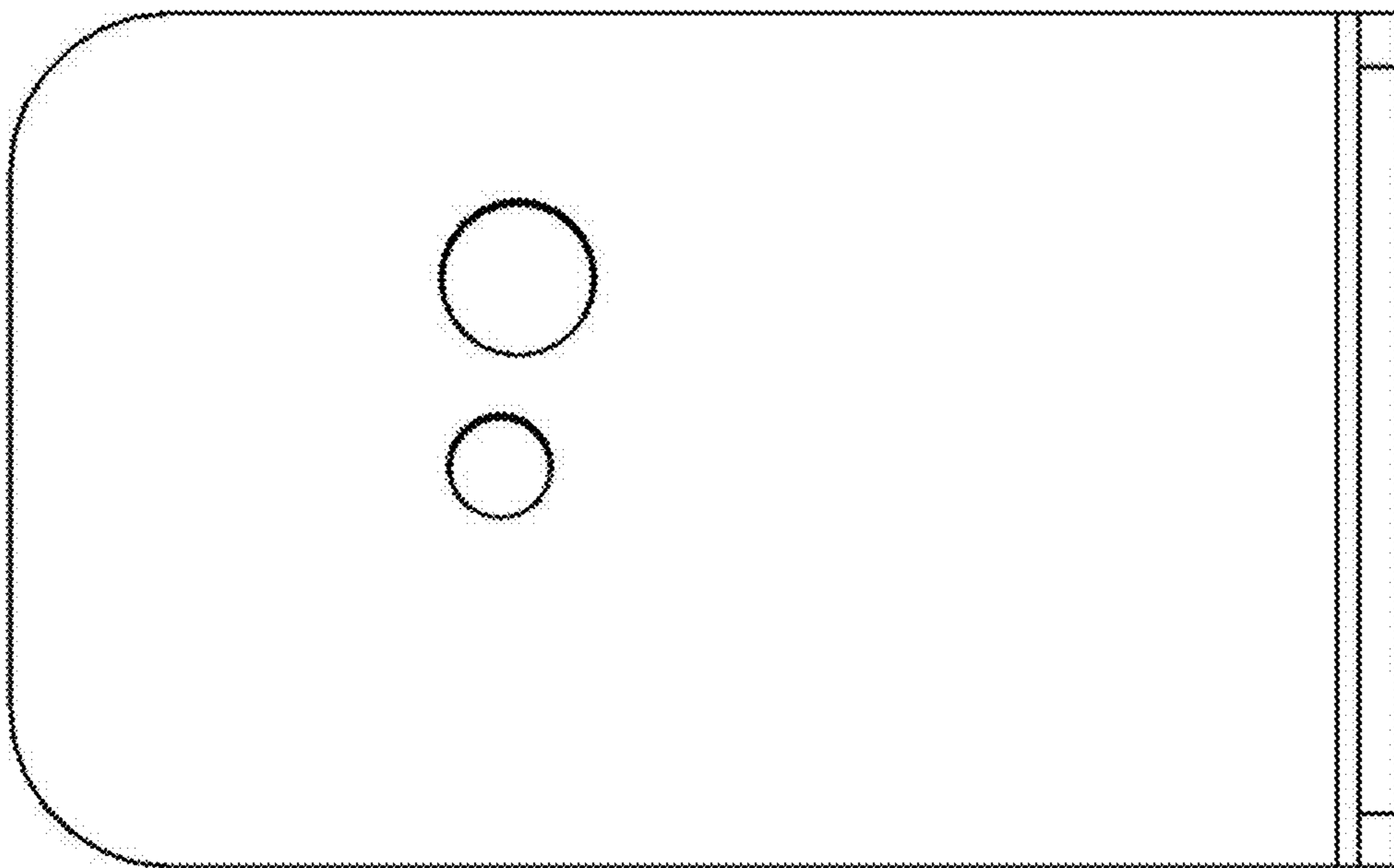


FIG. 5

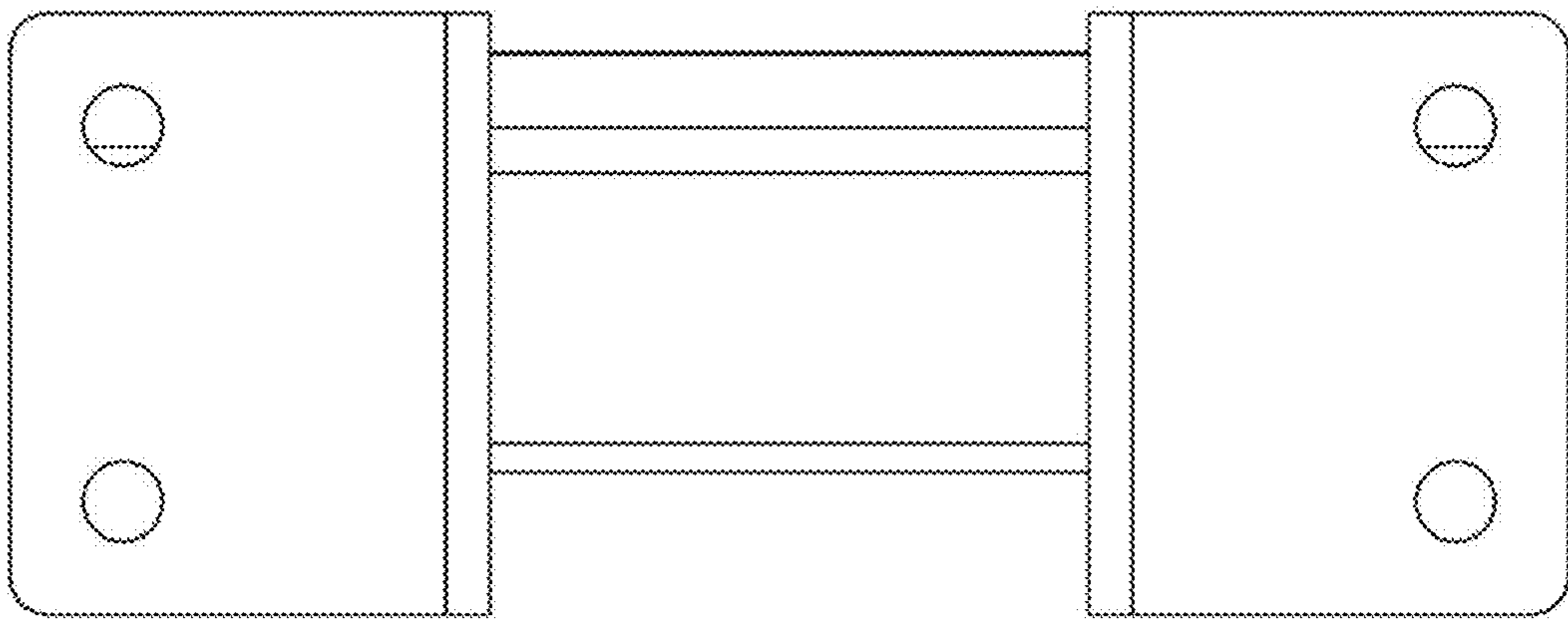


FIG. 6

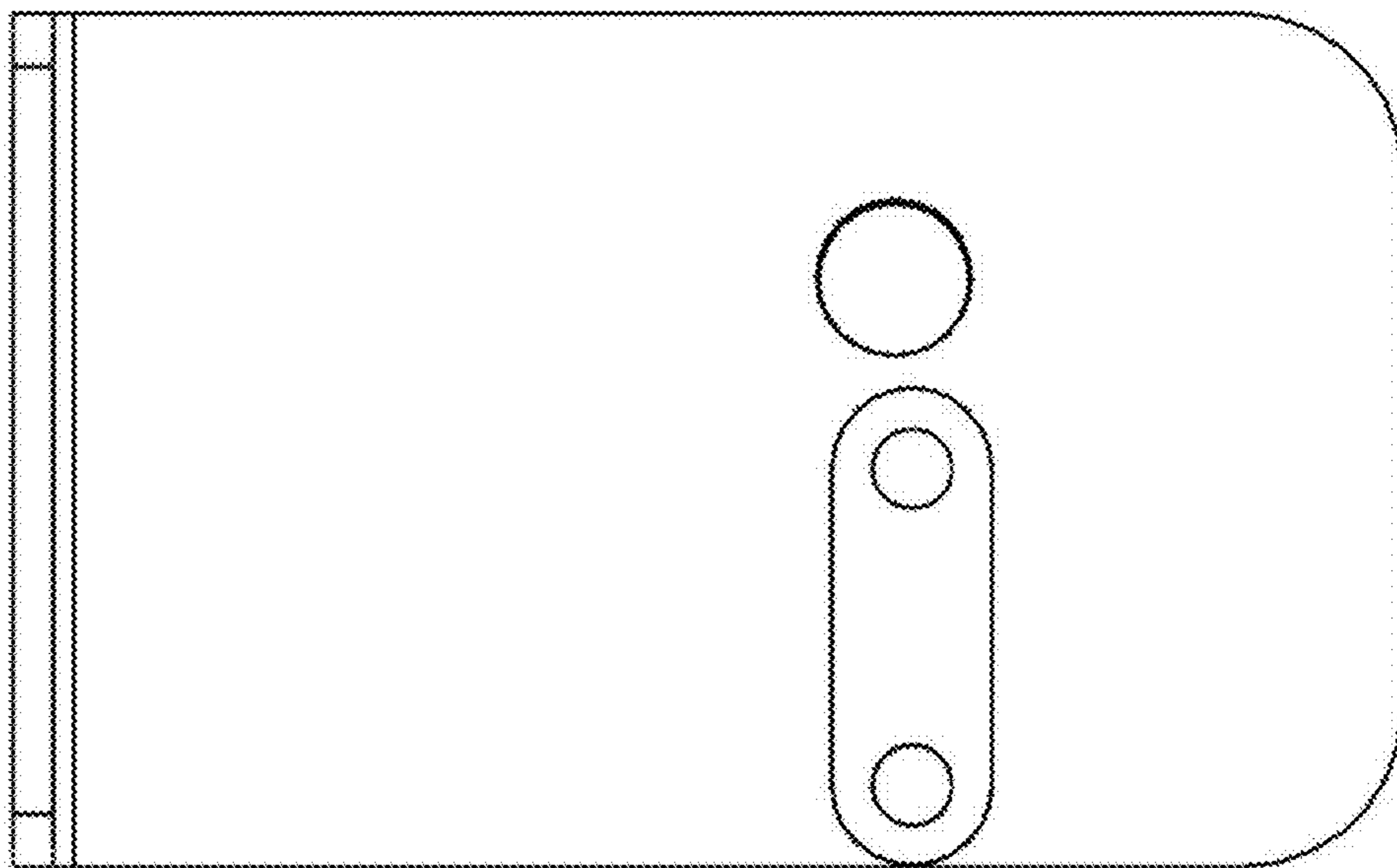


FIG. 7

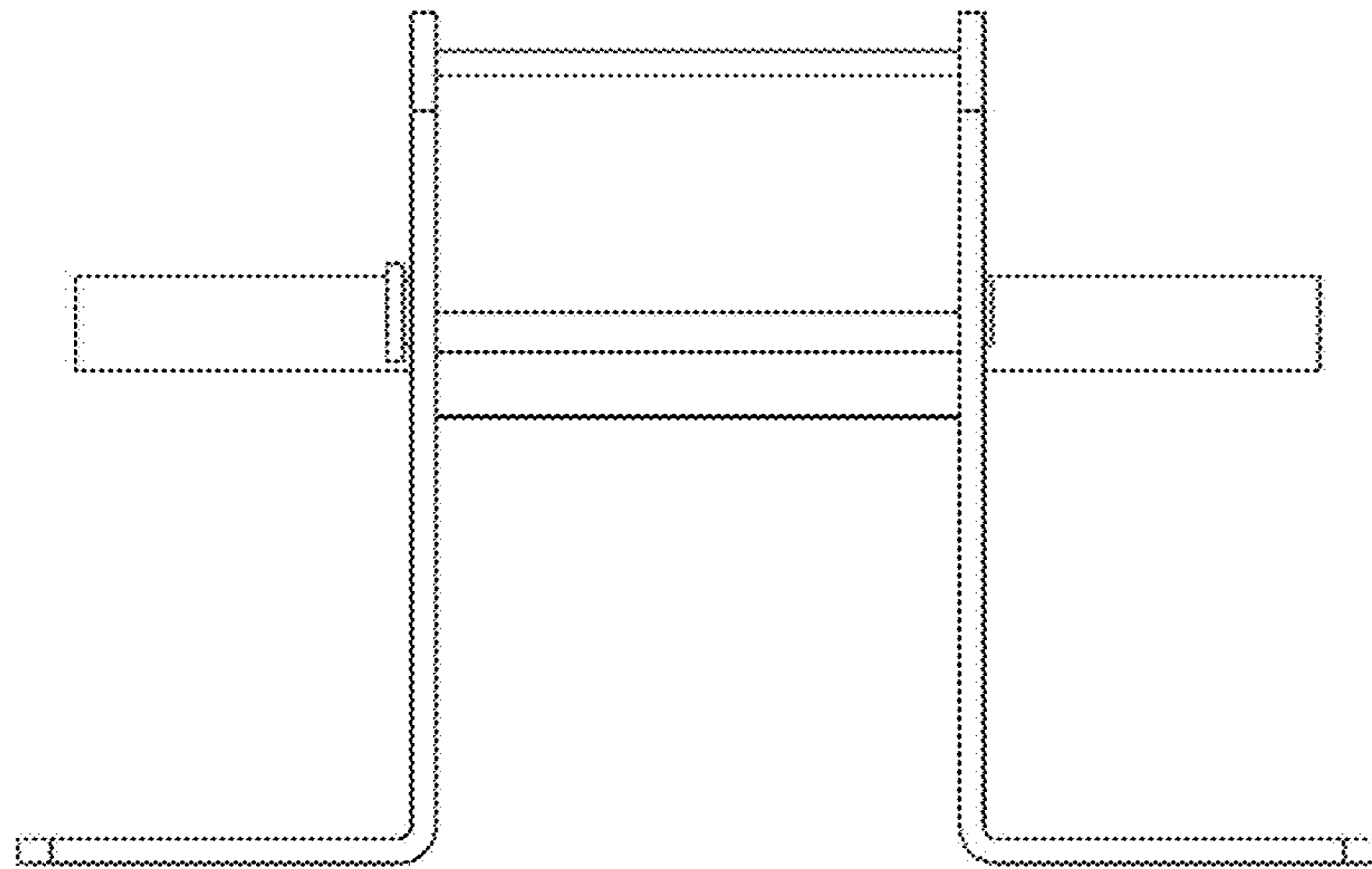


FIG. 8