



US00D789768S

(12) **United States Design Patent**  
**Hsu**

(10) **Patent No.:** **US D789,768 S**  
(45) **Date of Patent:** **\*\* Jun. 20, 2017**

- (54) **ELECTRONIC DOOR LOCK**
- (71) Applicant: **Spectrum Brands, Inc.**, Middleton, WI (US)
- (72) Inventor: **Wei Hsu**, Lake Forest, CA (US)
- (73) Assignee: **Spectrum Brands, Inc.**, Middleton, WI (US)
- (\*\*) Term: **15 Years**
- (21) Appl. No.: **29/560,223**
- (22) Filed: **Apr. 4, 2016**
- (51) **LOC (10) Cl.** ..... **08-07**
- (52) **U.S. Cl.**  
USPC ..... **D8/330; D8/334; D8/331**
- (58) **Field of Classification Search**  
USPC ..... D8/330, 331, 336, 338, 339, 340, 343;  
70/14, 2, 51, 57, 57.1, 91, 107, 141;  
292/2, 32, 137, 288, 289, 290, 292  
CPC ..... G05B 19/00; G05B 15/00; E05B 49/00;  
E05B 9/00; E05B 17/00; E05B 37/00  
See application file for complete search history.

- 8,490,443 B2 \* 7/2013 Gokcebay ..... G07C 9/00666  
70/214
- 8,490,445 B2 \* 7/2013 Chiou ..... E05B 47/0012  
70/224
- D687,786 S 8/2013 Chin et al.
- D687,787 S 8/2013 Chin et al.
- D688,213 S 8/2013 Huang et al.
- D688,215 S 8/2013 Yu et al.
- D688,635 S 8/2013 Ni et al.
- D733,519 S \* 7/2015 Gokcebay ..... D8/330
- D733,522 S 7/2015 Kim et al.
- D734,125 S \* 7/2015 Kodama ..... D8/330
- D734,650 S \* 7/2015 Kodama ..... D8/330
- D735,016 S 7/2015 Kim et al.
- D743,349 S 11/2015 Leeland et al.
- D746,165 S 12/2015 Li
- 9,280,276 B2 \* 3/2016 Hsieh ..... G06F 3/0488
- 9,382,729 B2 \* 7/2016 Ellis ..... E05B 65/104
- D772,691 S \* 11/2016 Han ..... D8/330

\* cited by examiner

*Primary Examiner* — Prabhakar Deshmukh  
(74) *Attorney, Agent, or Firm* — Banner & Witcoff, Ltd.

(57) **CLAIM**

The ornamental design for an electronic door lock, as shown and described.

**DESCRIPTION**

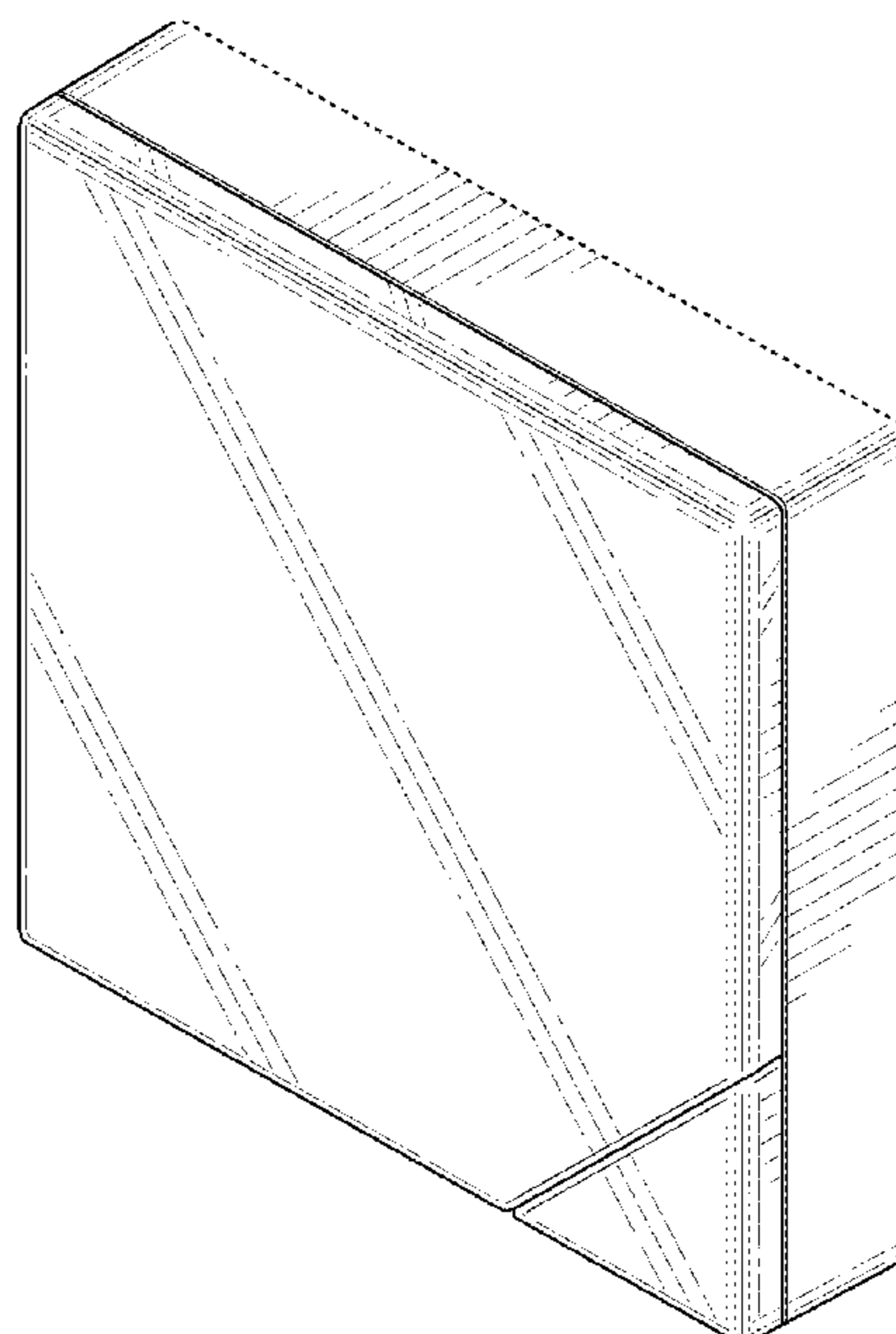
FIG. 1 is a front perspective view of an electronic door lock showing my new design;  
FIG. 2 is a front view thereof;  
FIG. 3 is a left side view thereof;  
FIG. 4 is a right side view thereof;  
FIG. 5 is a top view thereof; and,  
FIG. 6 is a bottom view thereof.  
The broken line showing of the rear edge of the electronic door lock represents an unclaimed boundary of the design.

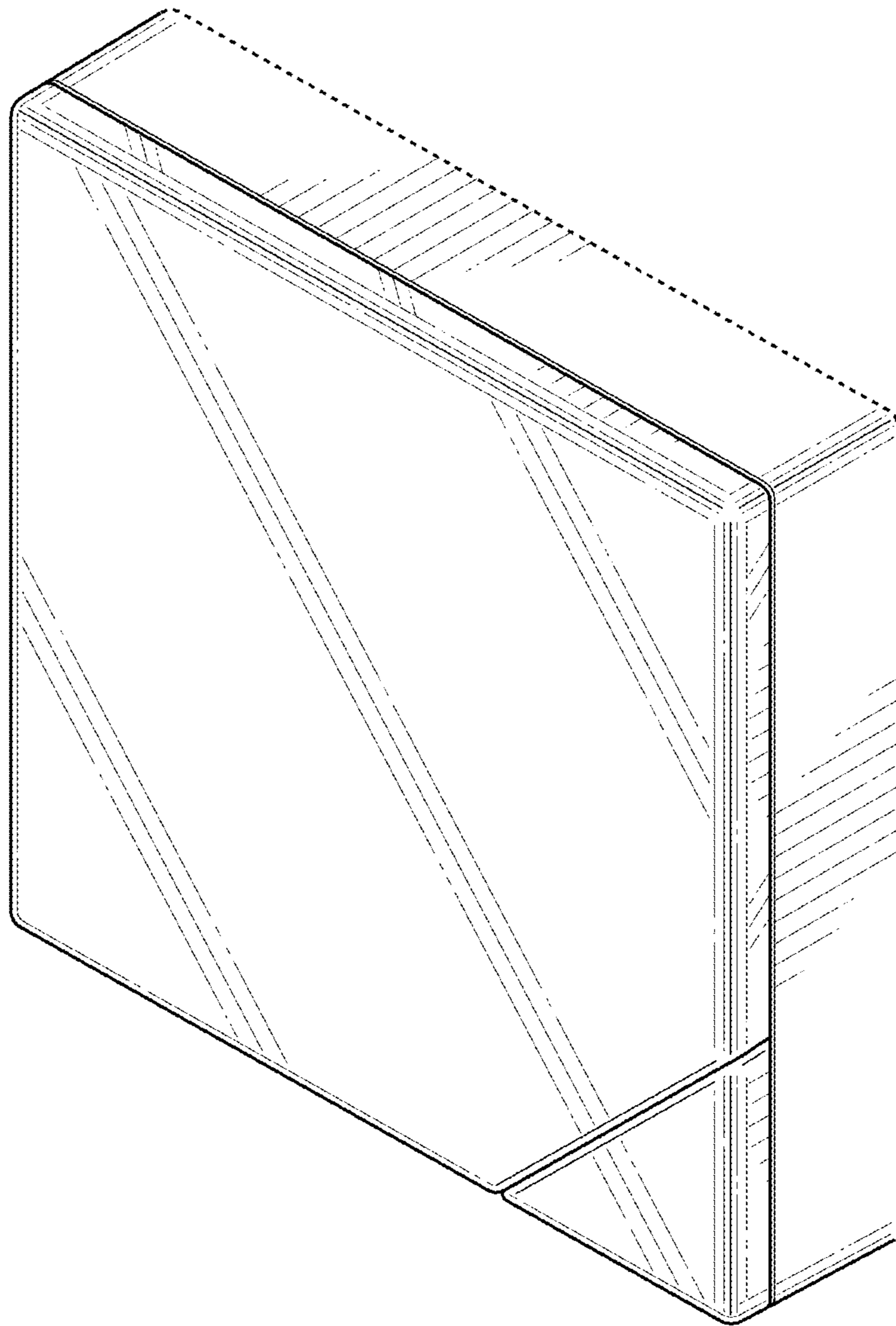
**1 Claim, 4 Drawing Sheets**

(56) **References Cited**

U.S. PATENT DOCUMENTS

- D285,668 S 9/1986 Tanaka et al.
- D401,565 S 11/1998 Smith et al.
- 6,016,955 A \* 1/2000 De Rooij ..... G06Q 20/04  
235/379
- D436,933 S 1/2001 Armstrong
- D495,578 S \* 9/2004 Sampson ..... D8/330
- D512,898 S \* 12/2005 Metivier ..... D10/106.1
- 7,336,150 B2 \* 2/2008 Gokcebay ..... E05B 47/06  
340/5.2
- D669,757 S \* 10/2012 Dent ..... D8/330





**FIG. 1**

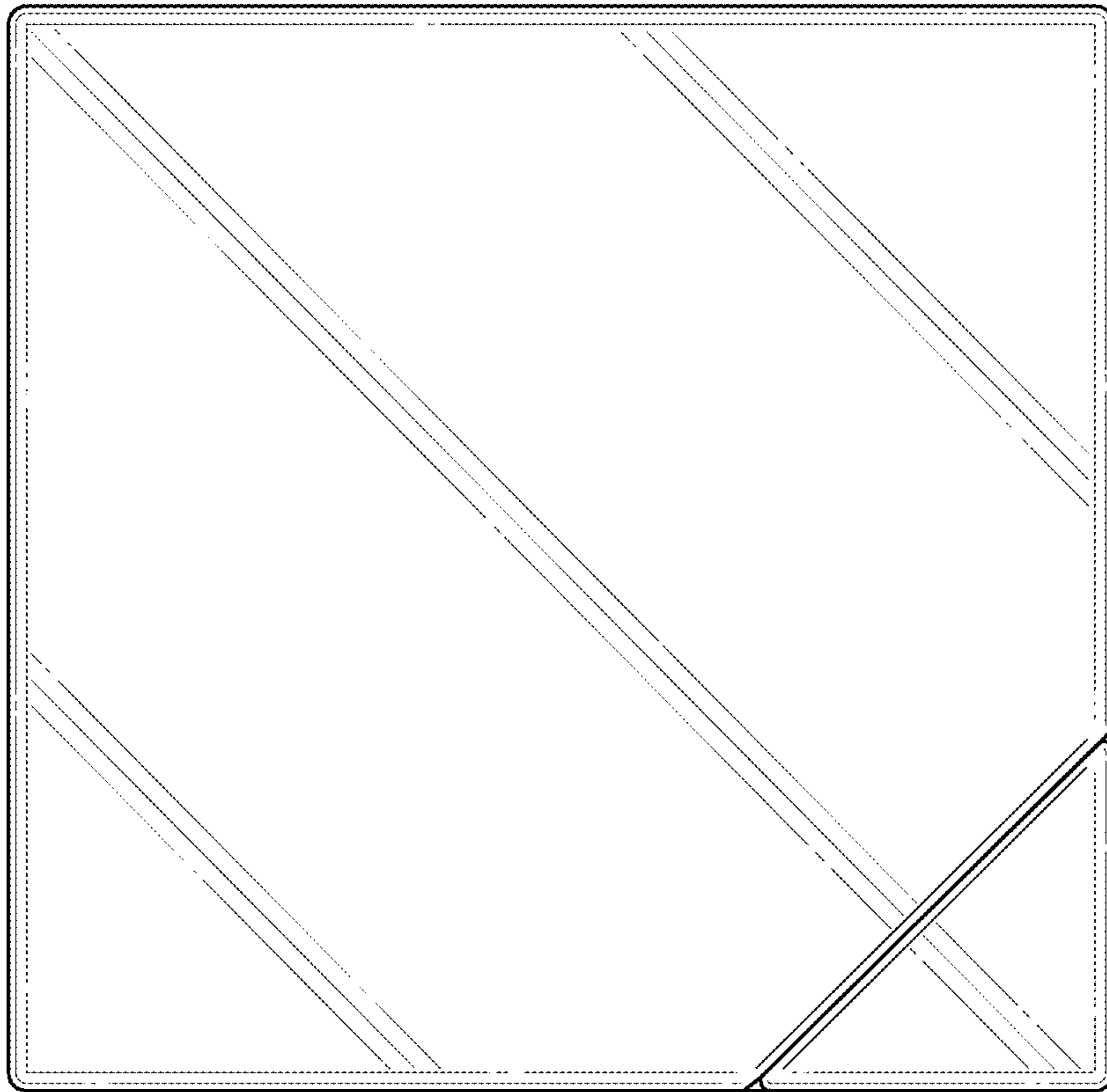


FIG. 2

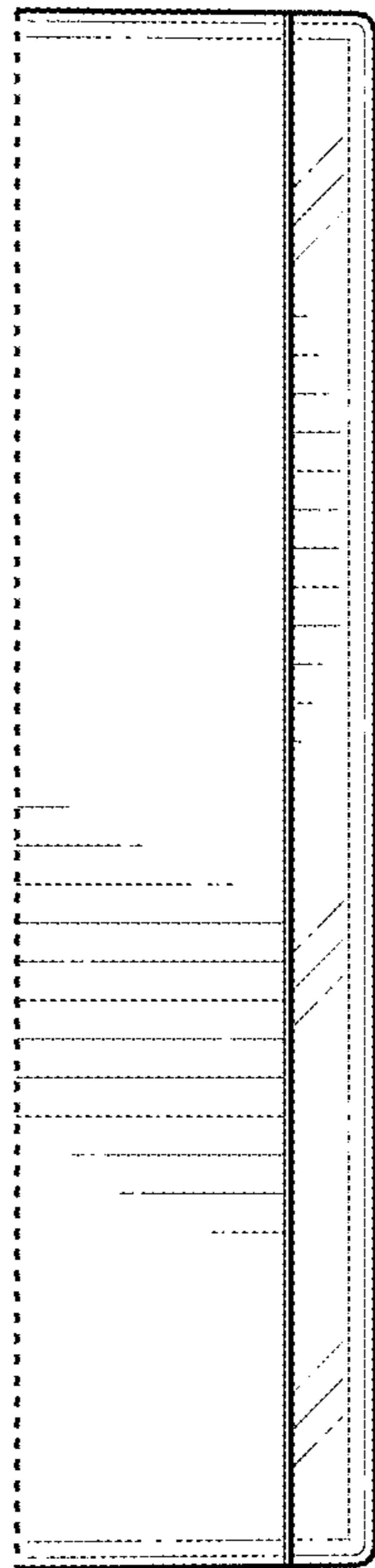


FIG. 3

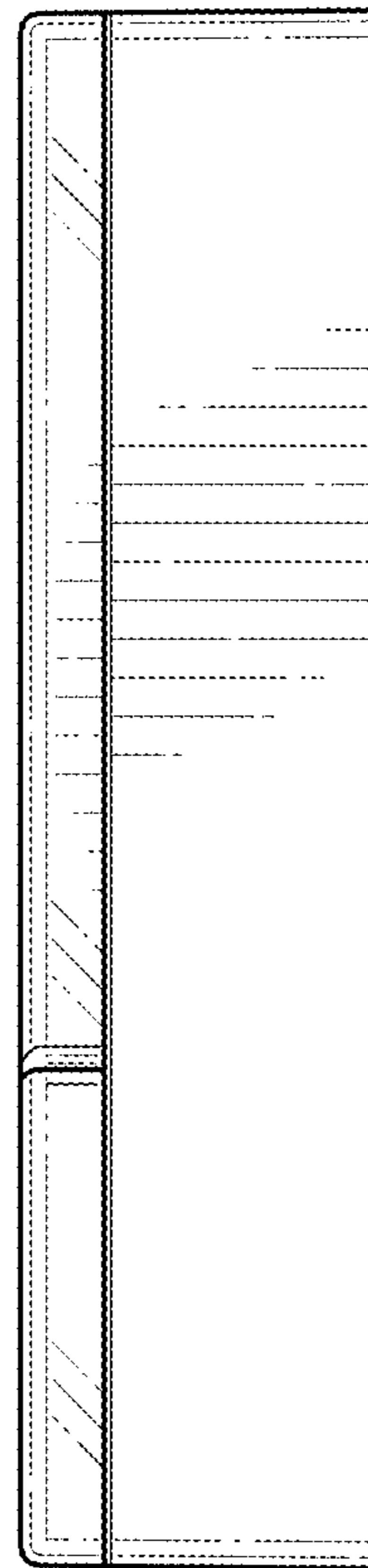
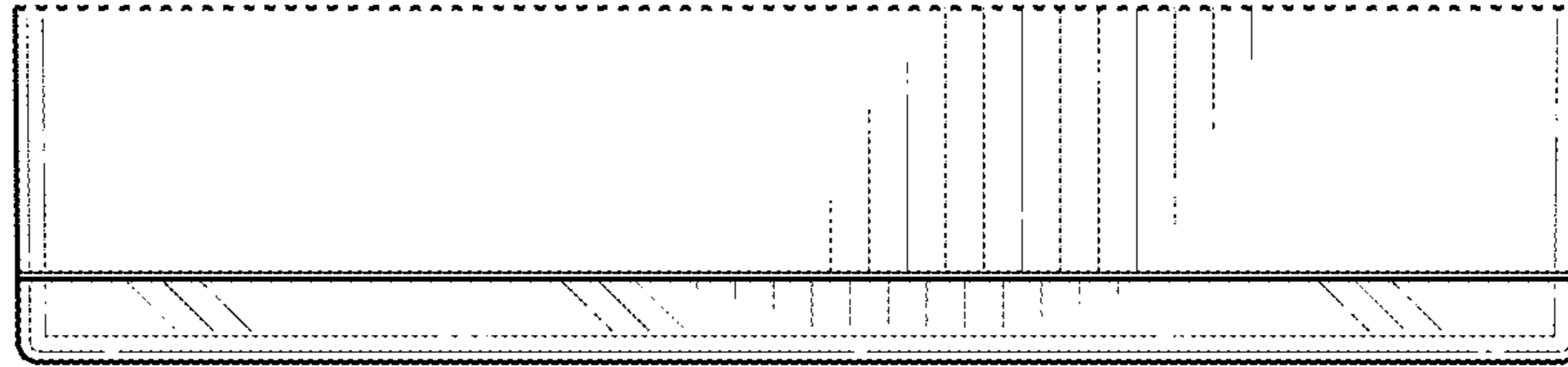
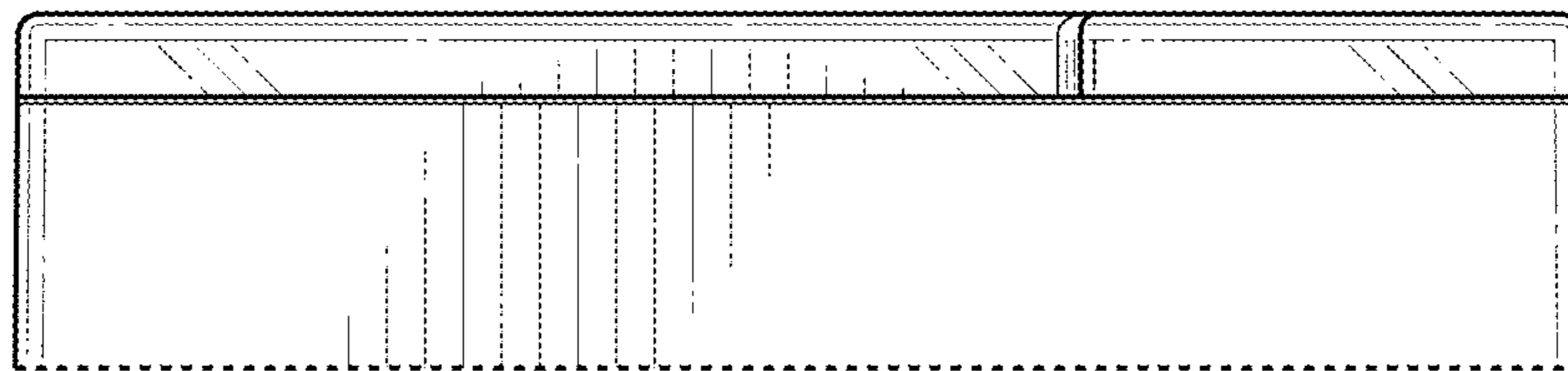


FIG. 4



**FIG. 5**



**FIG. 6**