



US00D789767S

(12) **United States Design Patent** (10) **Patent No.:** **US D789,767 S**
Lu (45) **Date of Patent:** **** Jun. 20, 2017**

(54) **SLEEVE FOR INSTALLING HINGE**
(71) Applicant: **Dongguan Weihong Hardware and Plastic Products Co., Ltd., Dongguan (CN)**
(72) Inventor: **Wei Lu, Dongguan (CN)**
(73) Assignee: **DONGGUAN WEIHONG HARDWARE AND PLASTIC PRODUCTS CO., LTD., Dongguan (CN)**

(**) Term: **15 Years**

(21) Appl. No.: **29/568,875**

(22) Filed: **Jun. 22, 2016**

(51) **LOC (10) Cl.** **08-06**

(52) **U.S. Cl.**
USPC **D8/323**

(58) **Field of Classification Search**
USPC D8/323-329, 349, 354, 356, 384;
D23/303
CPC E05D 1/00; E05D 3/00; E05D 5/00; E05D
7/00; B29C 31/00; E05Y 2201/00; F16C
1/00; F16C 3/00; F16C 9/00
See application file for complete search history.

(56) **References Cited**

U.S. PATENT DOCUMENTS

D475,271 S * 6/2003 Hannon D8/323
D498,136 S * 11/2004 Parker D8/323

D586,447 S * 2/2009 Thomas D23/303
D590,483 S * 4/2009 Thomas D23/303
D657,232 S * 4/2012 Stahl, Sr. D8/354
D686,487 S * 7/2013 Handa D8/356
D715,127 S * 10/2014 Shargh D8/323
D738,707 S * 9/2015 Tung D8/356
2006/0243444 A1* 11/2006 Brisco E21B 21/10
166/298
2009/0255532 A1* 10/2009 Grunstad B60K 15/04
128/202.27
2016/0325608 A1* 11/2016 Gagas B60J 5/0472

* cited by examiner

Primary Examiner — John Windmuller

Assistant Examiner — Benjamin Weeks

(74) *Attorney, Agent, or Firm* — Shimokaji IP

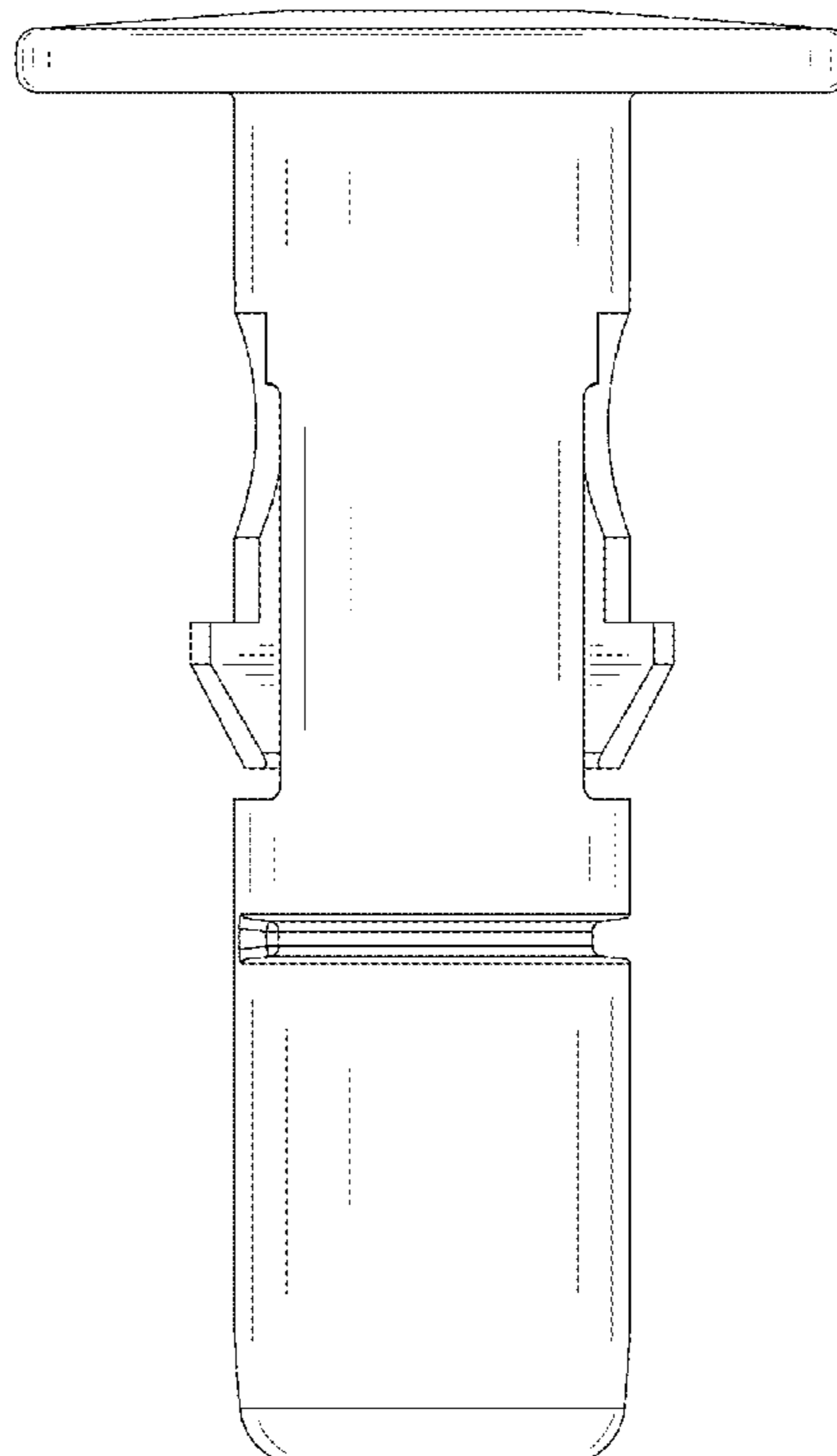
(57) **CLAIM**

The ornamental design for a sleeve for installing hinge, as shown and described.

DESCRIPTION

FIG. 1 is a front elevational view of a sleeve for installing hinge showing my new design;
FIG. 2 is a rear elevational view thereof;
FIG. 3 is a left side elevational view thereof;
FIG. 4 is a right side elevational view thereof;
FIG. 5 is a top plan view thereof;
FIG. 6 is a bottom plan view thereof;
FIG. 7 is a first perspective view thereof; and,
FIG. 8 is a second perspective view thereof.

1 Claim, 7 Drawing Sheets



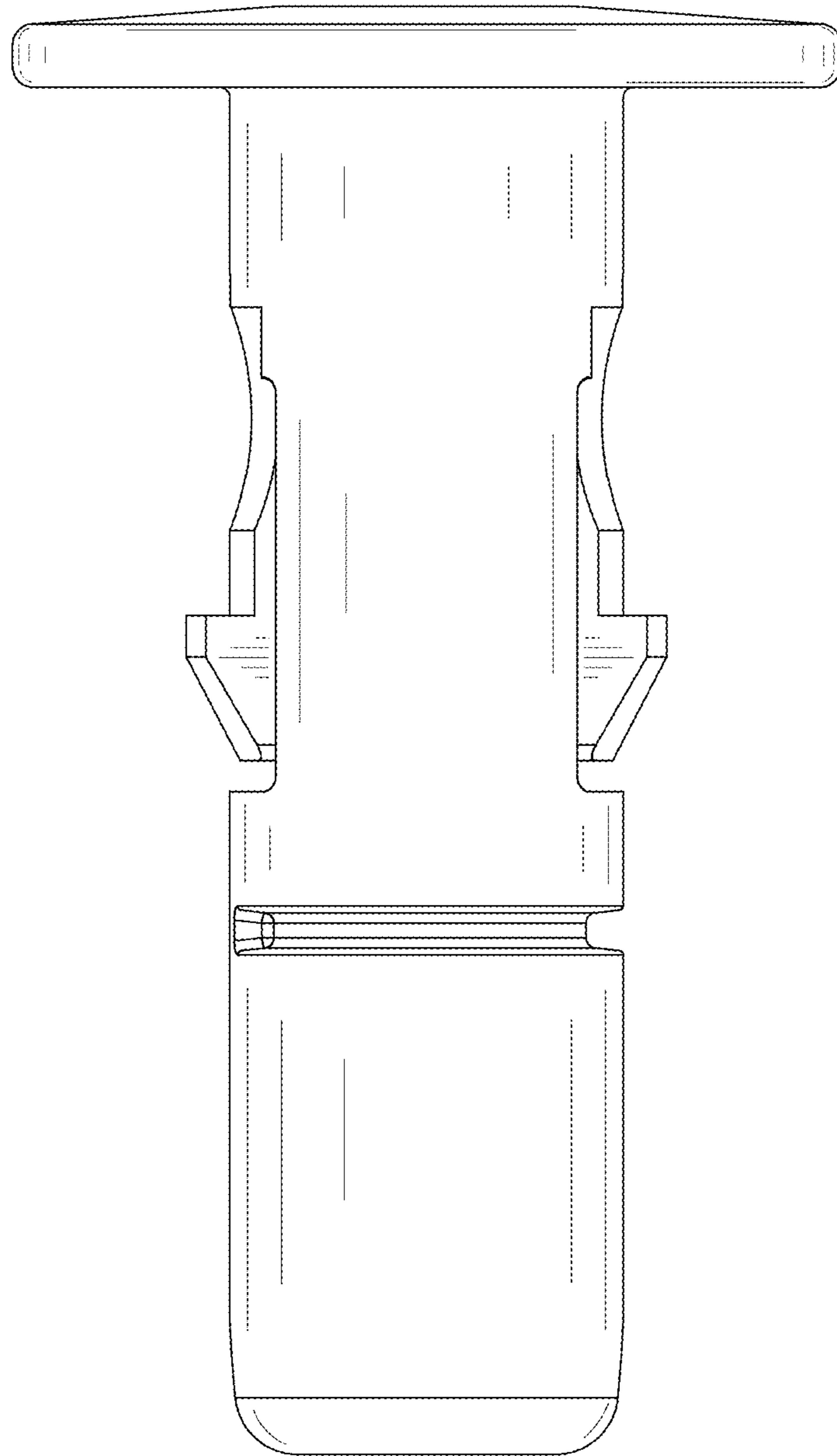


Fig.1

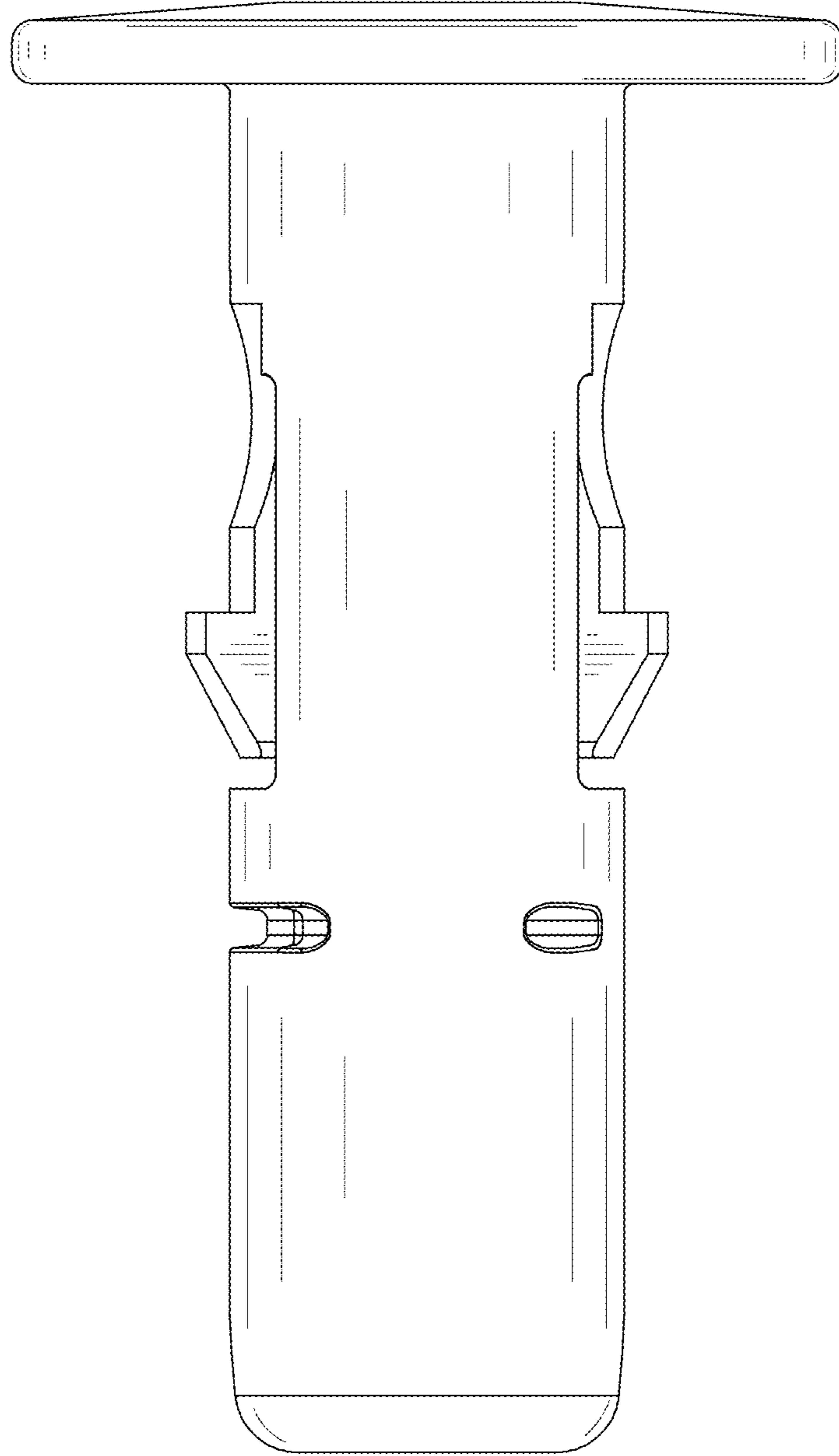


Fig.2

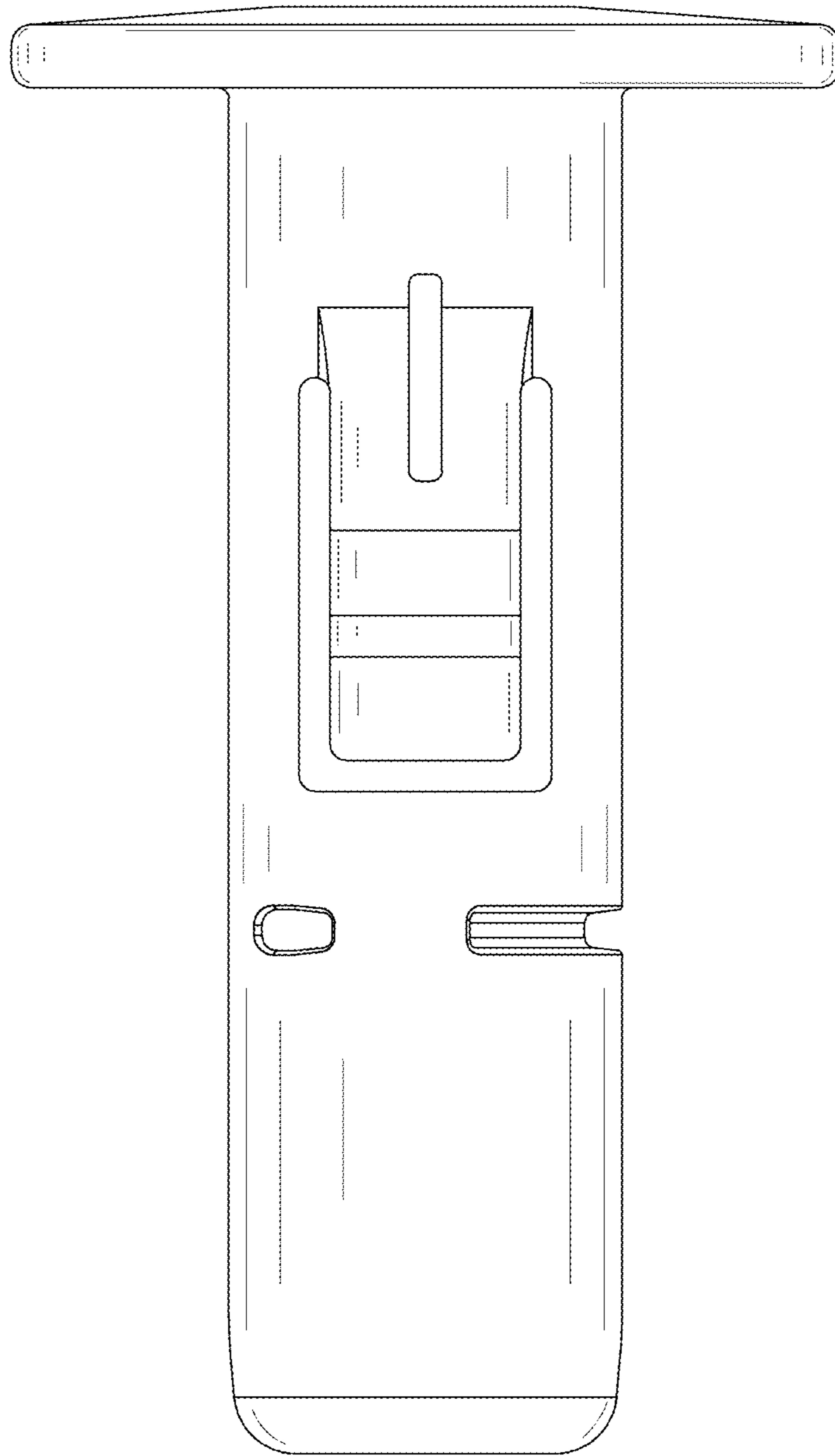


Fig.3

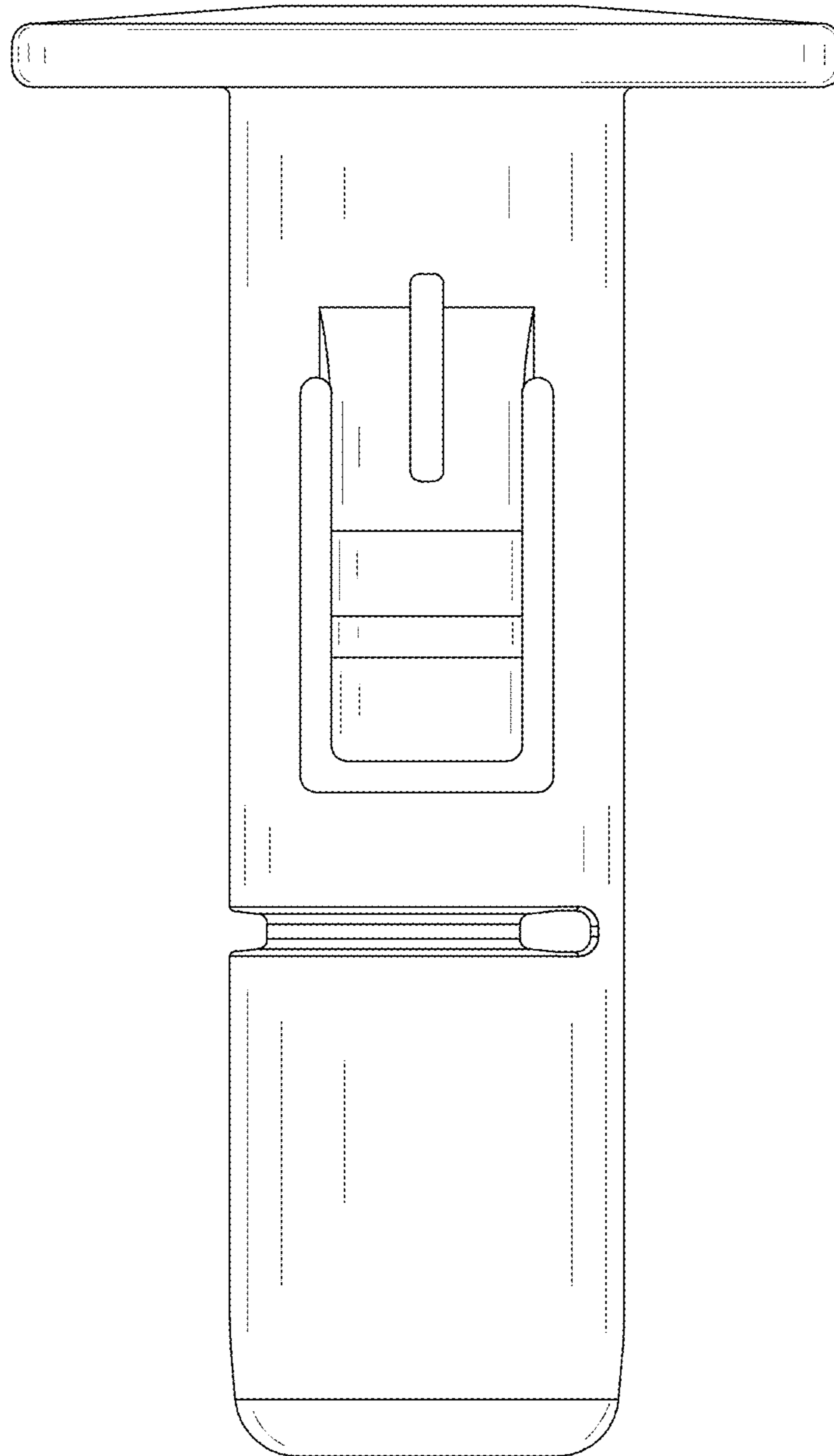


Fig.4



Fig.5



Fig.6

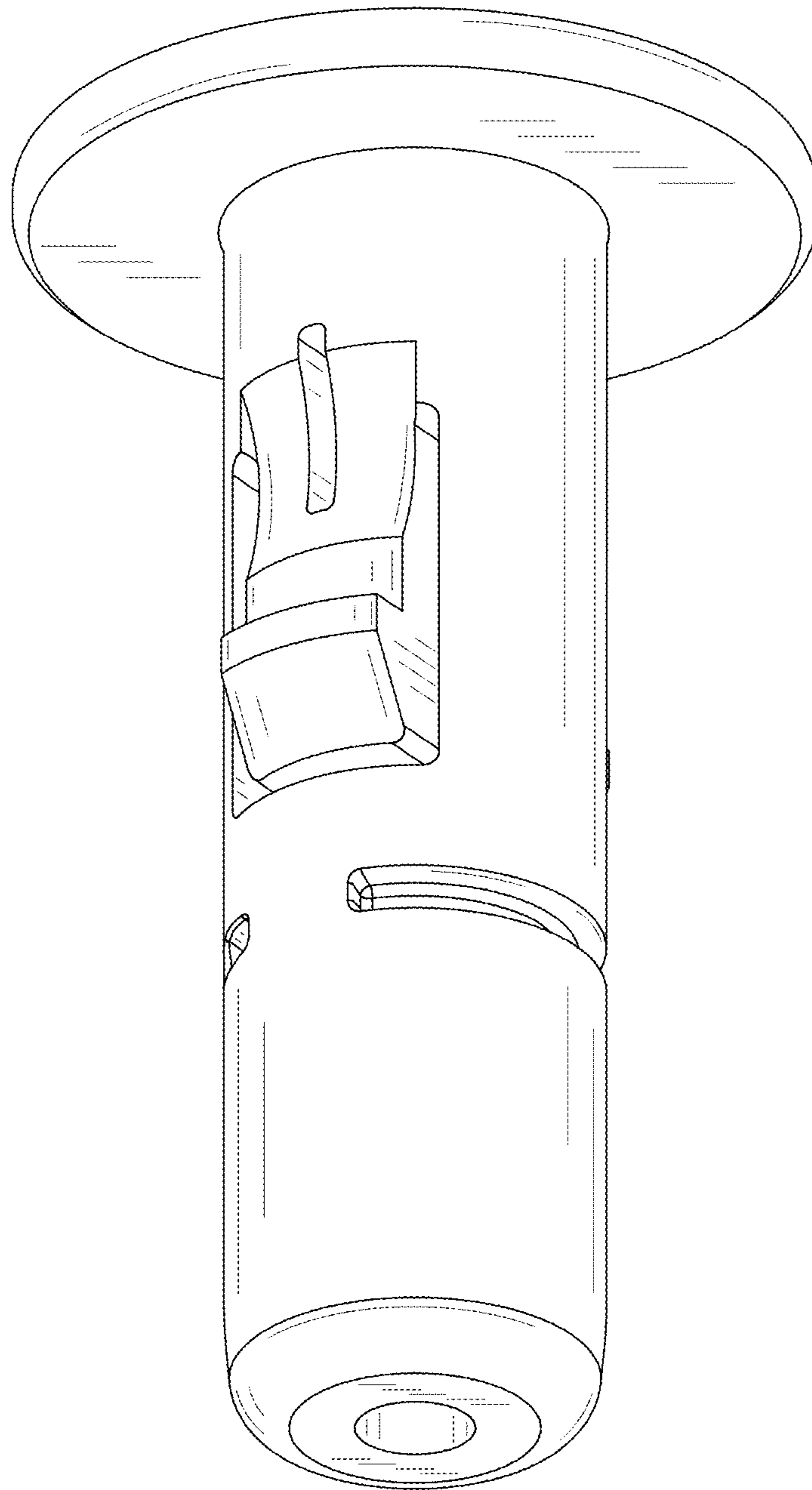


Fig.7

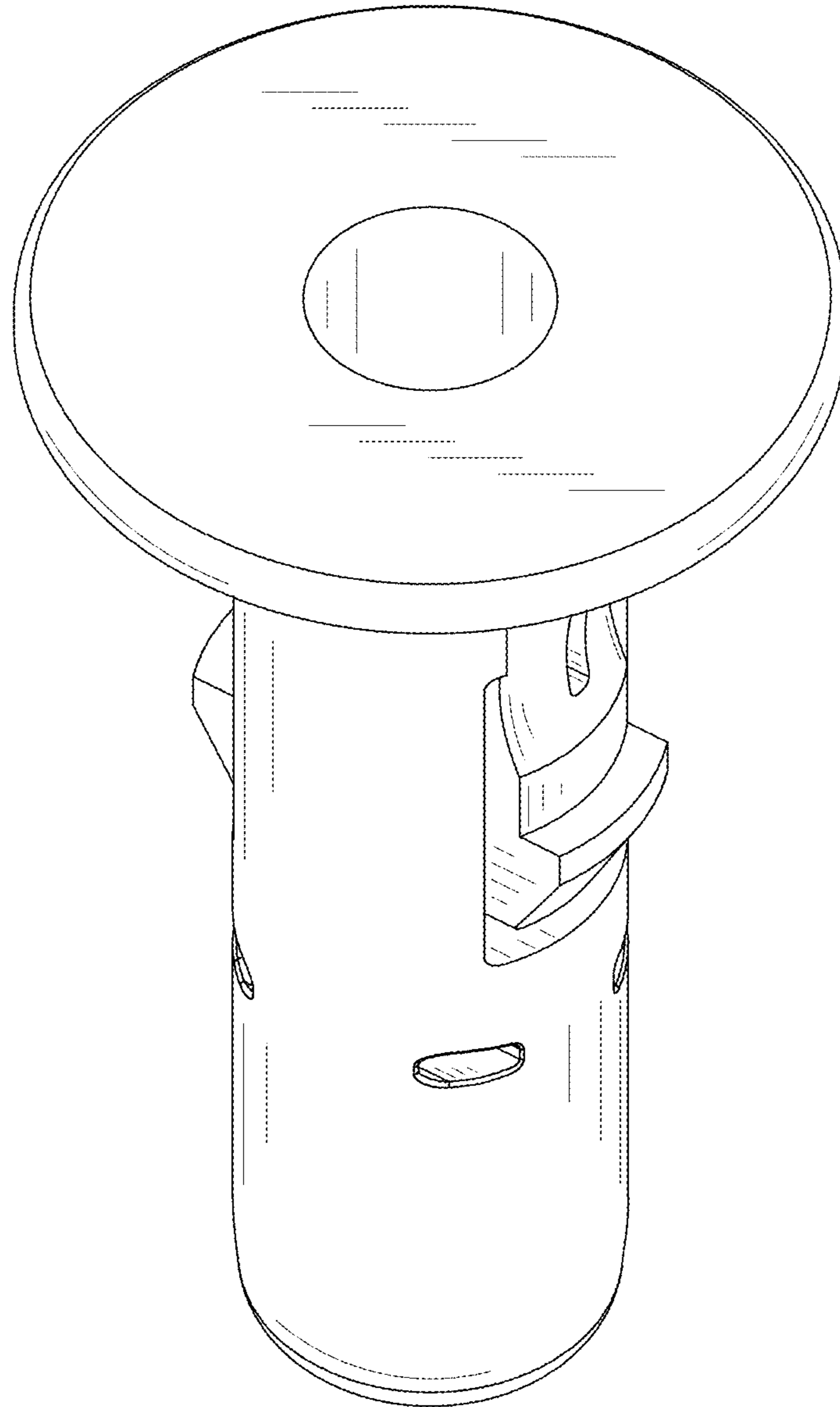


Fig.8