



US00D789766S

(12) **United States Design Patent** (10) **Patent No.:** **US D789,766 S**
Todd, Jr. et al. (45) **Date of Patent:** **** Jun. 20, 2017**

(54) **HINGE**

D401,134 S 11/1998 Finkelstein
D436,515 S 1/2001 Sonntag
D462,969 S 9/2002 Scharer
(Continued)

(71) Applicant: **Southco, Inc.**, Concordville, PA (US)

(72) Inventors: **John Joseph Todd, Jr.**, Springfield, PA (US); **James Joseph Ford**, West Chester, PA (US); **Todd Michael Schwanger**, Exton, PA (US)

FOREIGN PATENT DOCUMENTS

JP D1318899 1/2008
JP D1392914 7/2010
(Continued)

(73) Assignee: **Southco, Inc.**, Concordville, PA (US)

(**) Term: **15 Years**

OTHER PUBLICATIONS

(21) Appl. No.: **29/542,580**

Search Report, with an English translation, for Taiwan Design Application No. 102307048 dated Sep. 16, 2014.
(Continued)

(22) Filed: **Oct. 15, 2015**

Related U.S. Application Data

(62) Division of application No. 29/453,529, filed on Apr. 30, 2013, now Pat. No. Des. 741,142.

(51) **LOC (10) Cl.** **08-06**

(52) **U.S. Cl.**
USPC **D8/323**

(58) **Field of Classification Search**
USPC D8/323, 328; 16/387
CPC E05D 1/00; E05D 11/06; E05D 5/10;
E05D 3/02; A47K 13/12
See application file for complete search history.

Primary Examiner — Cynthia Underwood
(74) *Attorney, Agent, or Firm* — RatnerPrestia

(57) **CLAIM**

The ornamental design for a hinge, as shown and described.

DESCRIPTION

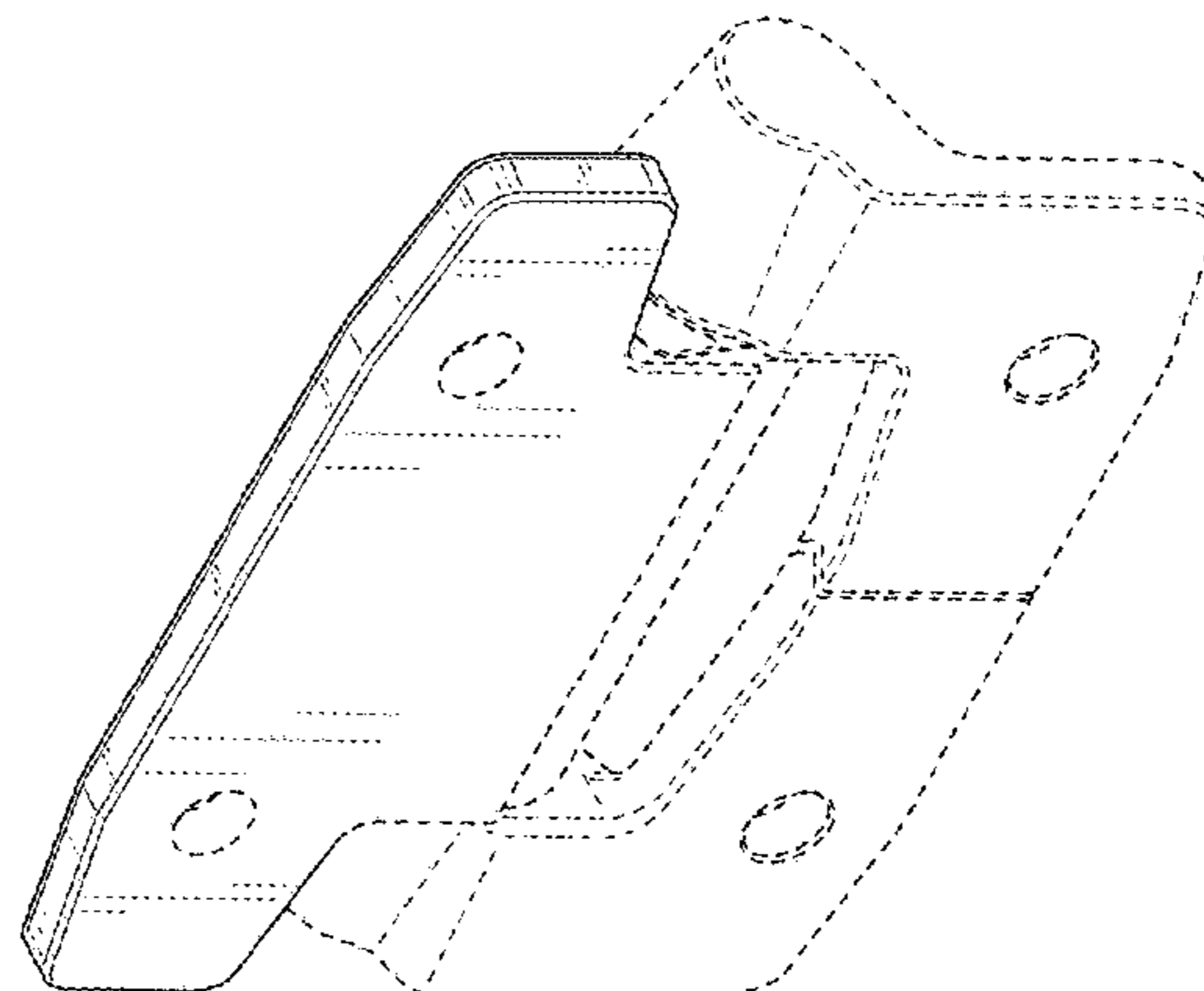
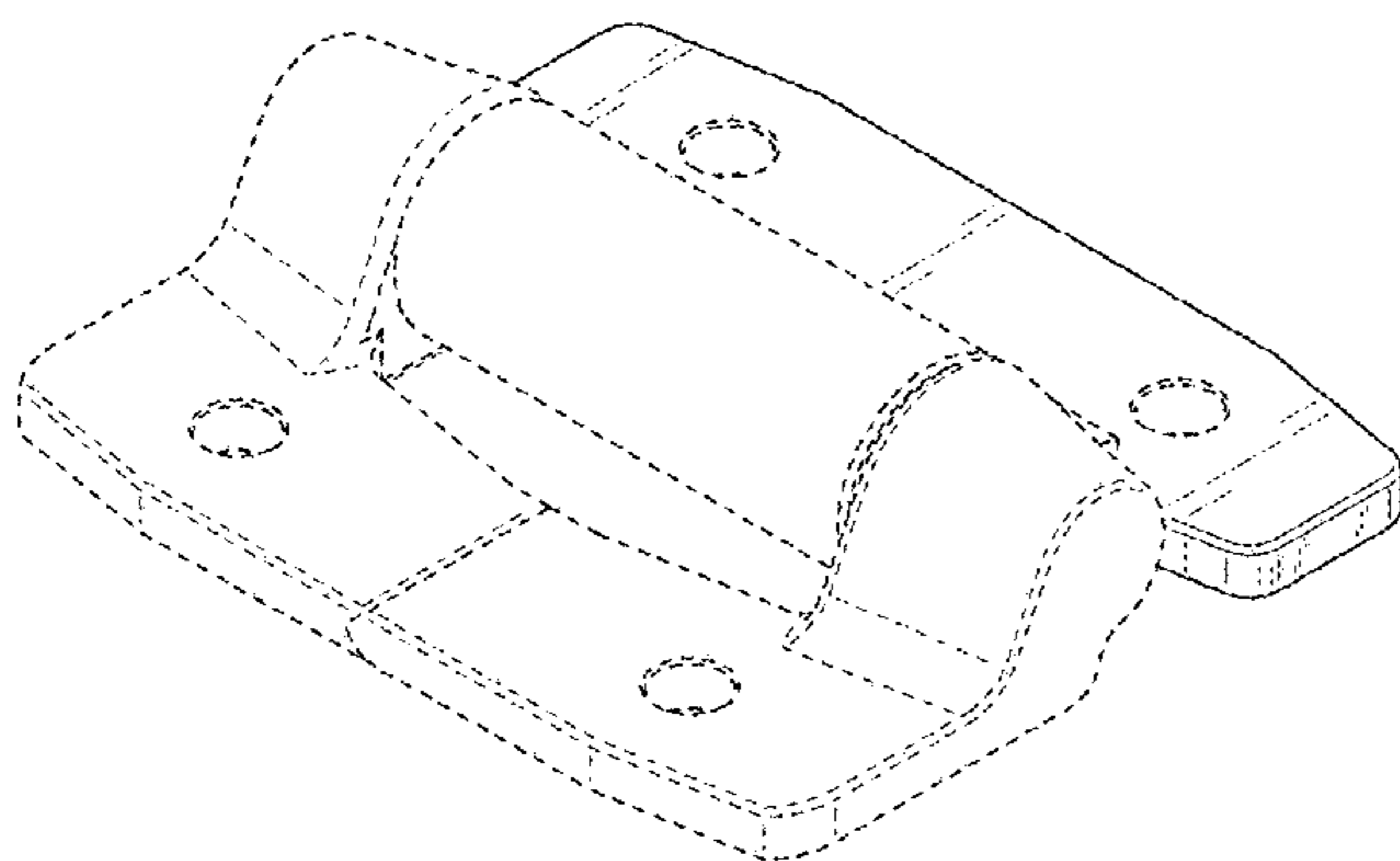
FIG. 1 is a front isometric view taken from above the right front corner of a hinge, wherein select portions of the hinge are shown in broken lines;
FIG. 2 is a rear isometric view taken from above the left rear corner of the hinge of FIG. 1;
FIG. 3 is a rear isometric view taken from below the left rear corner of the hinge of FIG. 1;
FIG. 4 is a top plan view of the hinge of FIG. 1;
FIG. 5 is a bottom plan view of the hinge of FIG. 1;
FIG. 6 is a front elevation view of the hinge of FIG. 1;
FIG. 7 is a rear elevation view of the hinge of FIG. 1; and,
FIG. 8 is an elevation view as viewed from the right side of the hinge of FIG. 1, the left side being a mirror image of the right side.
The broken line showing of the hinge is for the purpose of illustration and forms no part of the claimed design.

(56) **References Cited**

U.S. PATENT DOCUMENTS

1,832,902 A 11/1931 Holbrook
D139,227 S 10/1944 Greiling
D183,261 S 7/1958 Mink
D202,817 S 11/1965 Goda
4,630,333 A * 12/1986 Vickers E05D 11/082
16/338
D376,971 S 12/1996 Schutz
D385,475 S 10/1997 Bolinas

1 Claim, 4 Drawing Sheets



(56)

References Cited

U.S. PATENT DOCUMENTS

D488,708	S	4/2004	Lam	
D489,599	S	5/2004	Lam	
D505,858	S	6/2005	OKeene	
6,915,995	B2	7/2005	Gillespie	
7,028,961	B1	4/2006	Dittmer	
D533,433	S	12/2006	Loggen	
D537,706	S	3/2007	LyHau	
D538,633	S	3/2007	LyHau	
D539,123	S	3/2007	LyHau	
D539,127	S	3/2007	LyHau	
7,198,305	B2 *	4/2007	Vitry	B60R 5/04 292/163
D543,210	S	5/2007	Stenhouse	
D543,547	S	5/2007	Muday	
D543,548	S	5/2007	Muday	
D558,562	S	1/2008	Ciungan	
D559,087	S	1/2008	Ciungan	
7,320,152	B2 *	1/2008	Lowry	E05C 17/64 16/297
D565,386	S	4/2008	Bladen	
D569,381	S	5/2008	Sculler	
D577,730	S	9/2008	Rutten	
D621,683	S	8/2010	Mullenix	

D622,576	S	8/2010	Farkas	
D623,654	S	9/2010	Hau	
D635,433	S	4/2011	Le	
D644,648	S	9/2011	Anderson	
D649,008	S	11/2011	Caffin	
D649,009	S	11/2011	Caffin	
D673,024	S *	12/2012	Caffin	D8/323
D719,009	S *	12/2014	Russo	D8/323
D747,949	S *	1/2016	Lindo	D8/323
D748,450	S *	2/2016	Ganter	D8/323
2004/0262474	A1	12/2004	Boks	
2008/0029669	A1	2/2008	Olah	

FOREIGN PATENT DOCUMENTS

TW	D103733	3/2005
TW	D114514	12/2006

OTHER PUBLICATIONS

Southco Handbook 59, "Engineered Access Solutions," pp. 416-469, 2009.
Entire patent prosecution history of U.S. Appl. No. 29/453,529, filed Apr. 30, 2013, entitled, "Hinge."

* cited by examiner

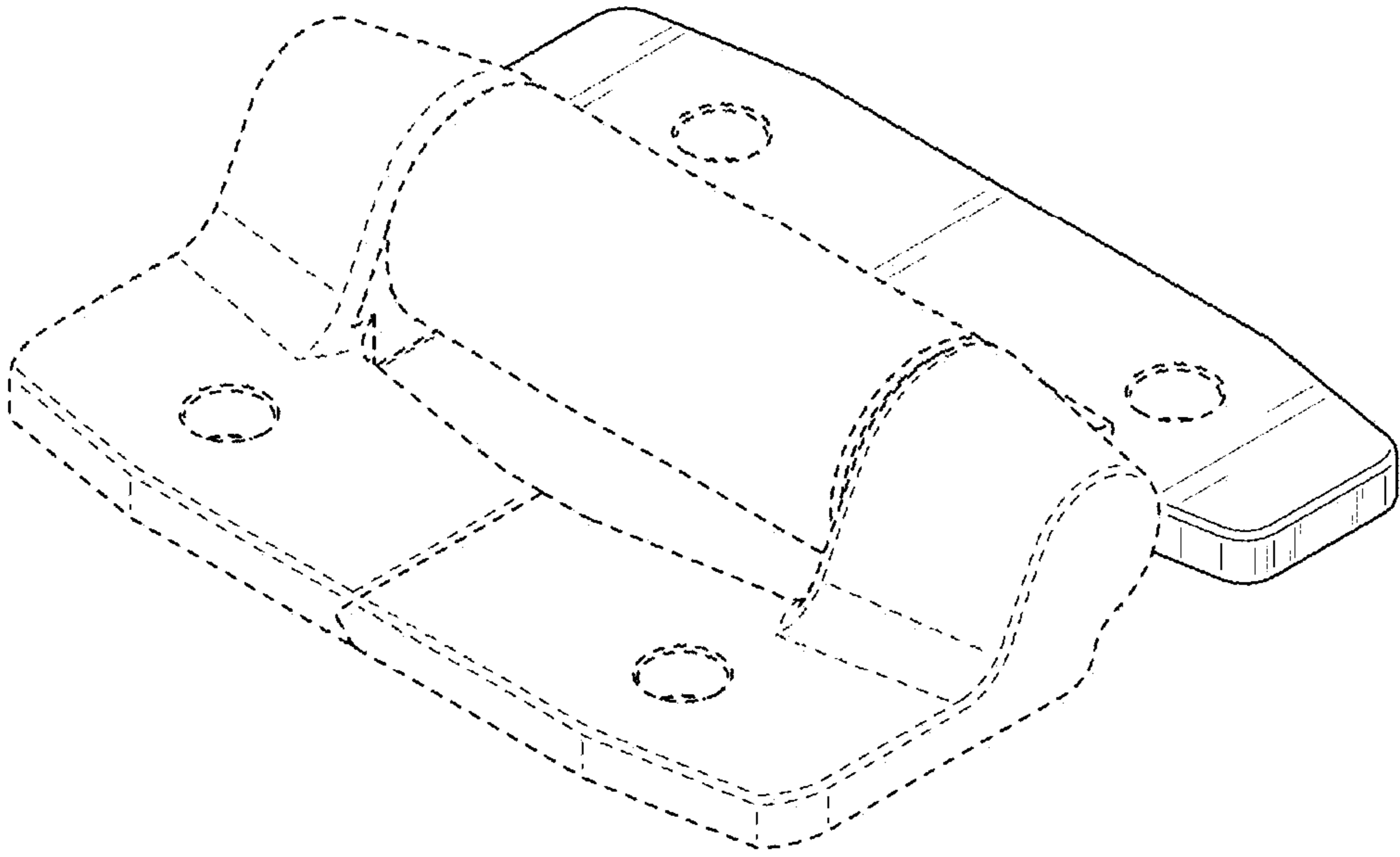


FIG. 1

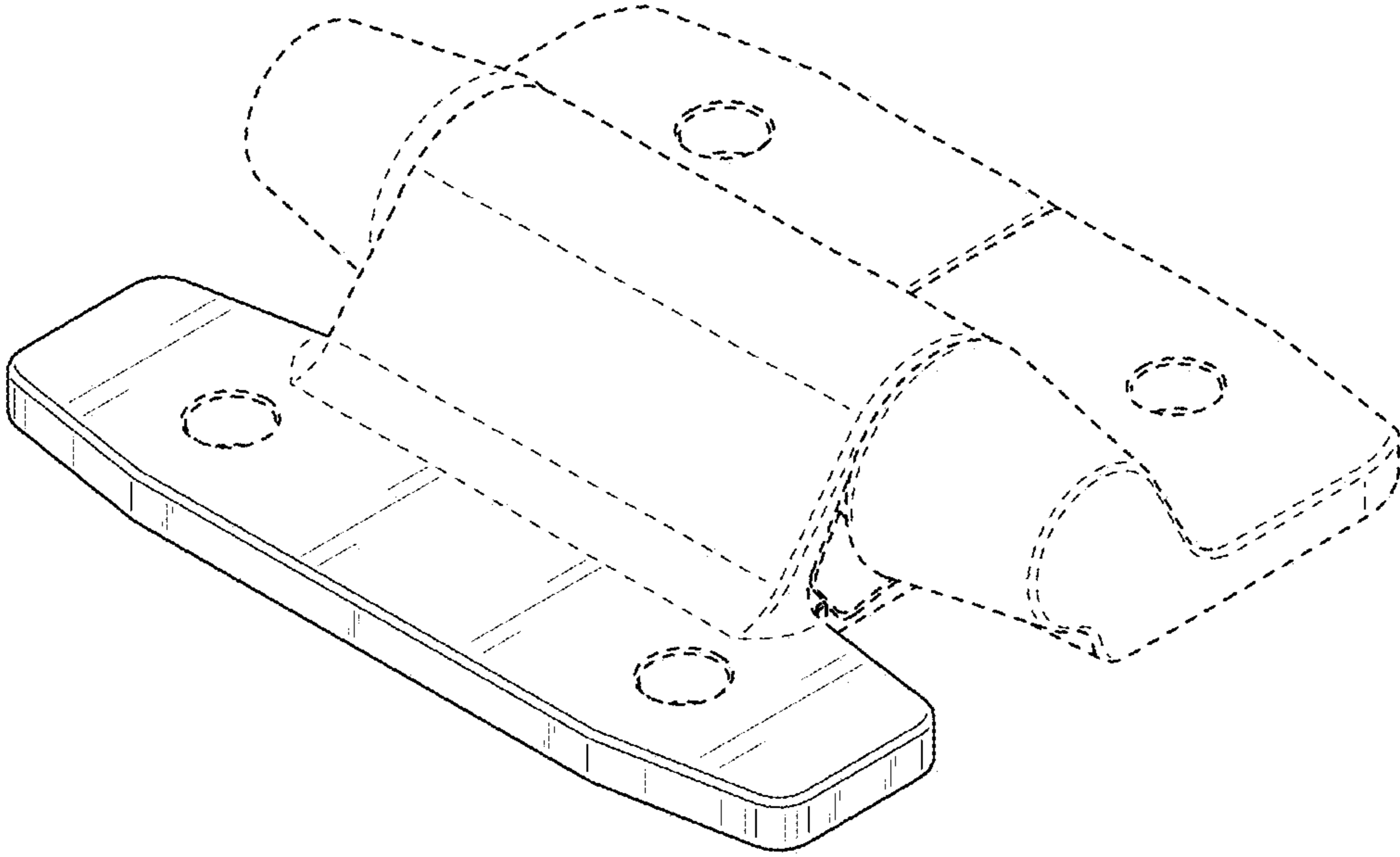


FIG. 2

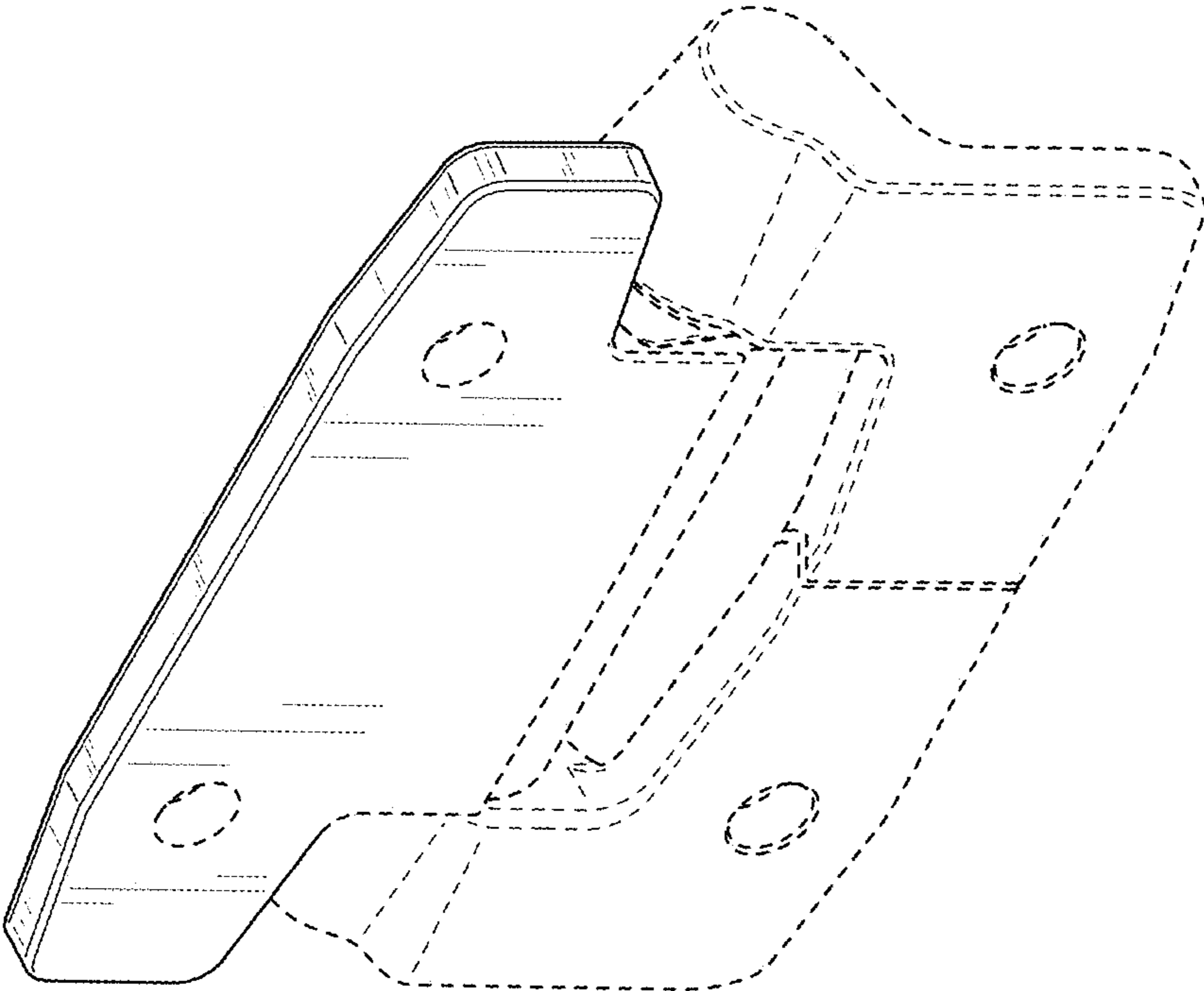


FIG. 3

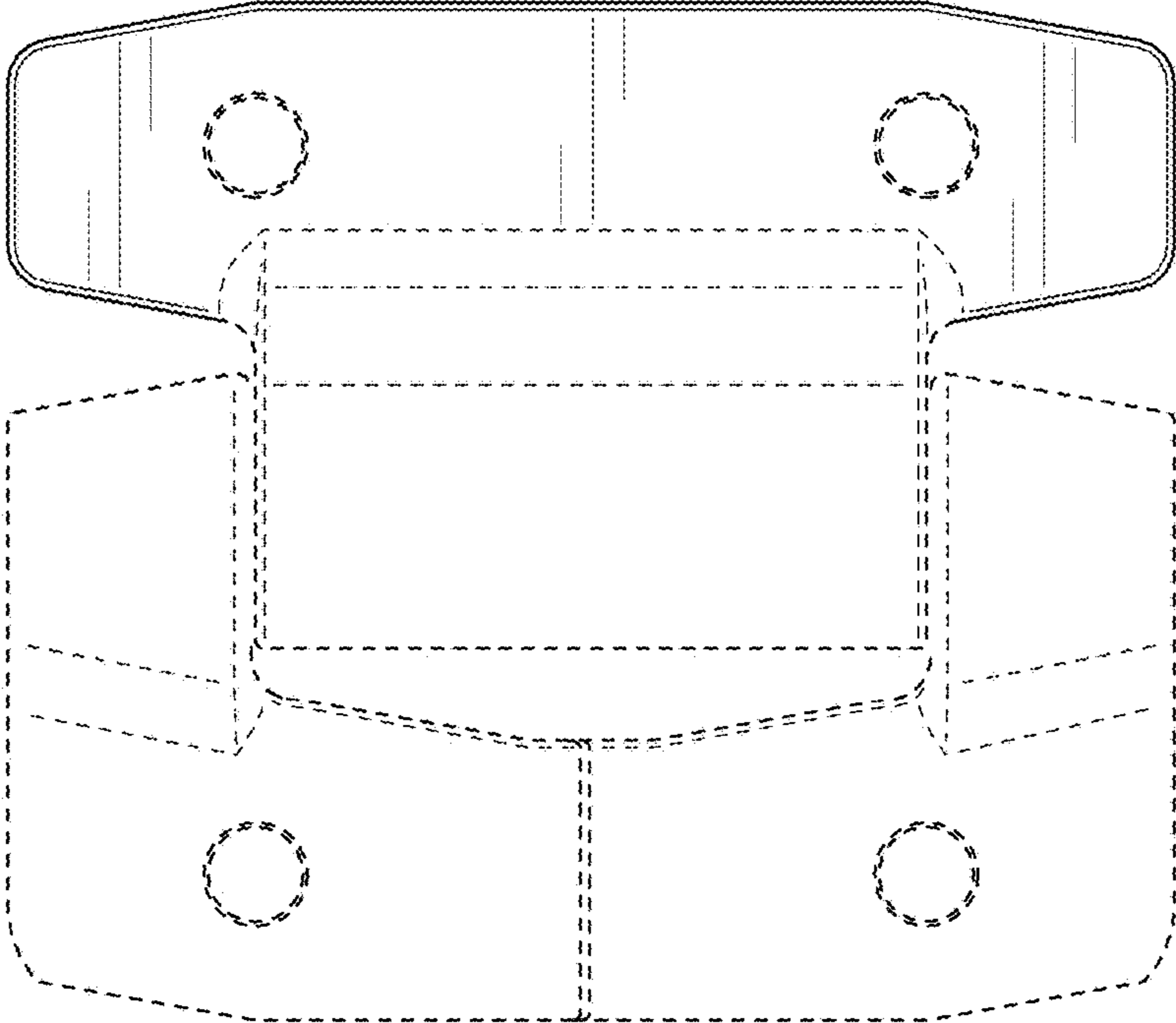


FIG. 4

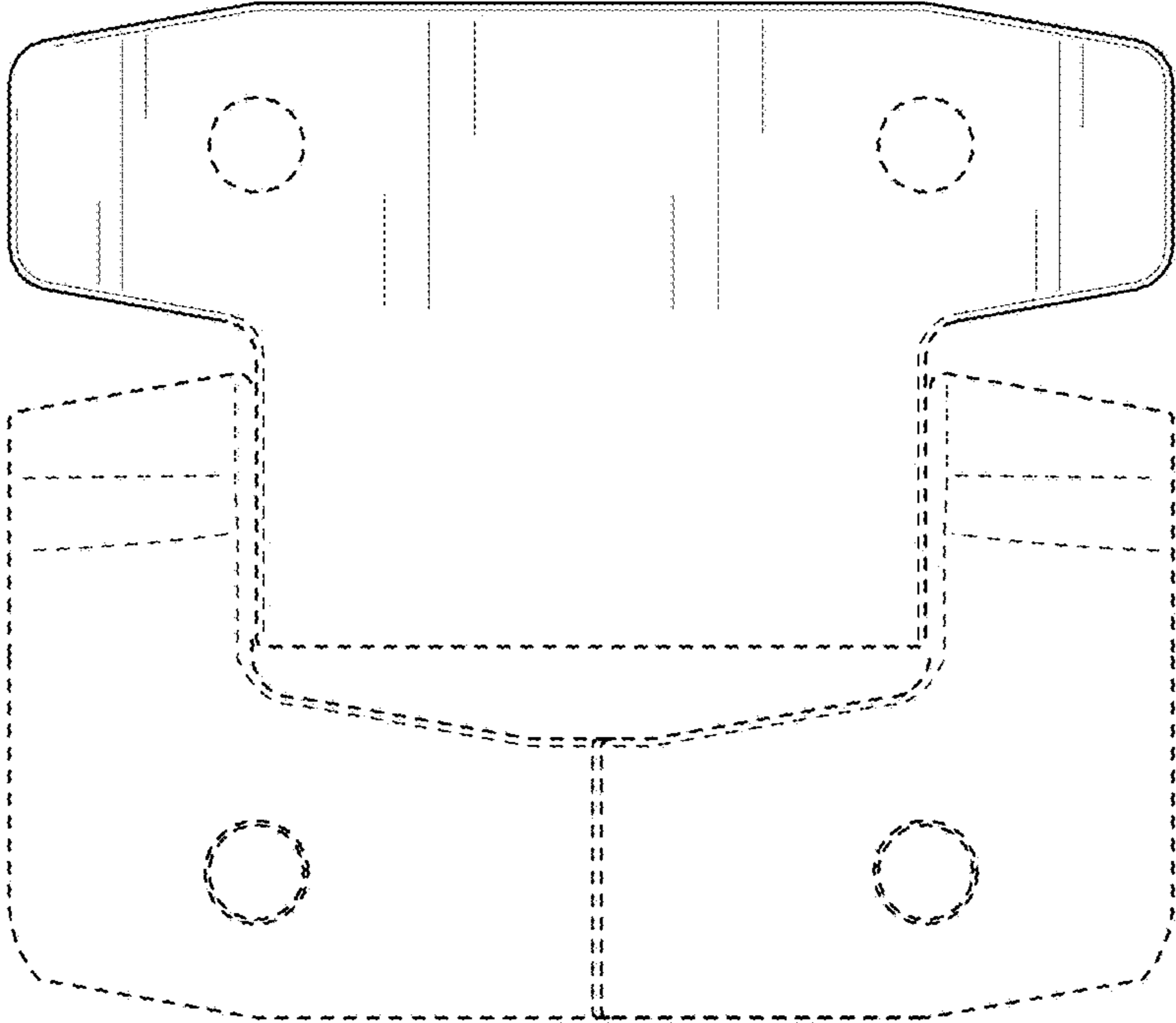


FIG. 5

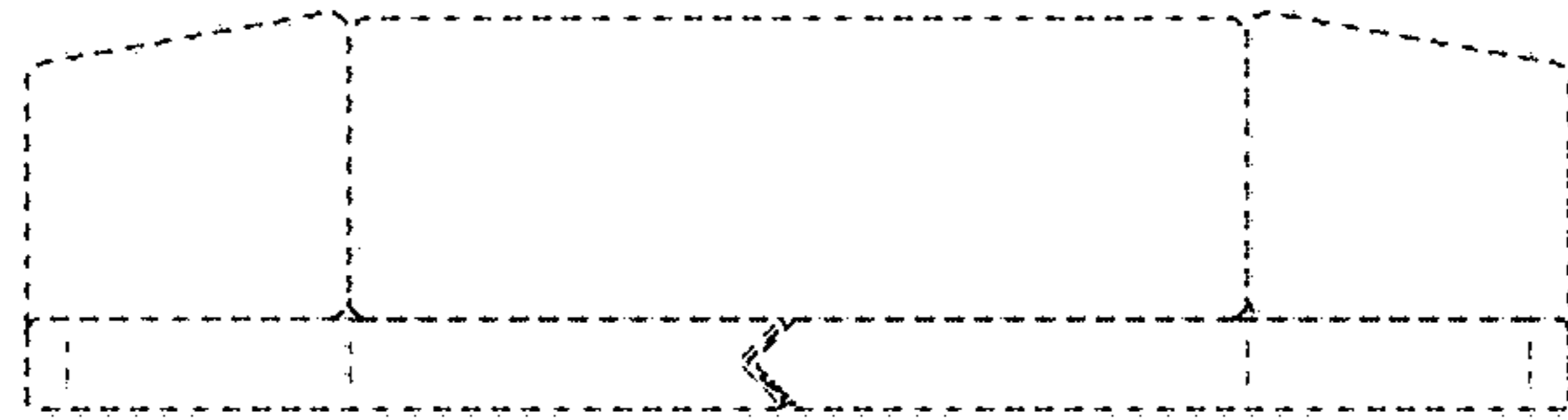


FIG. 6

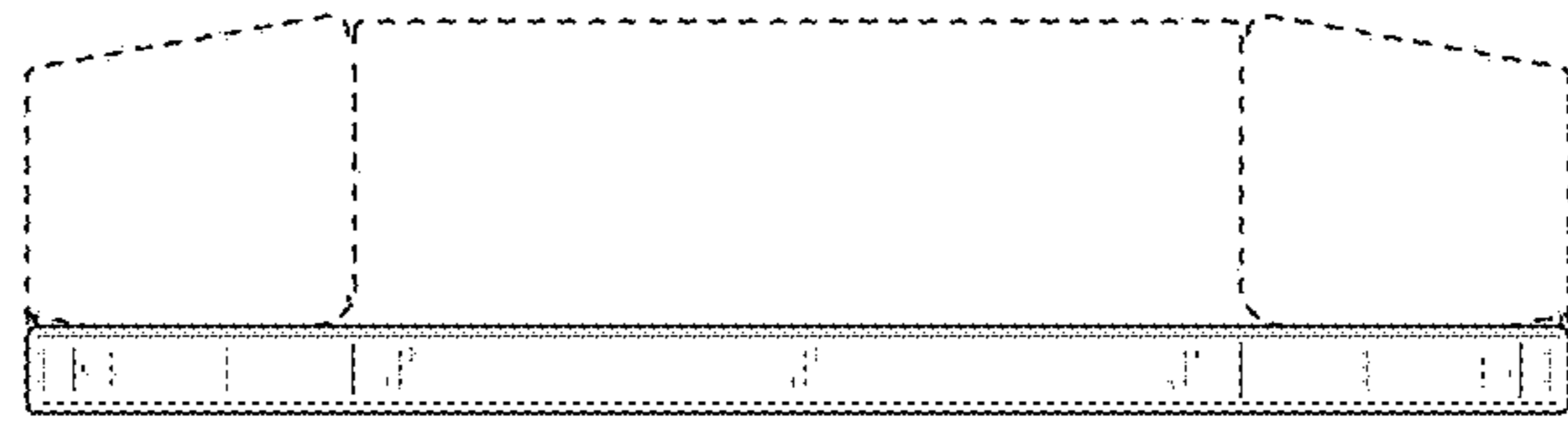


FIG. 7

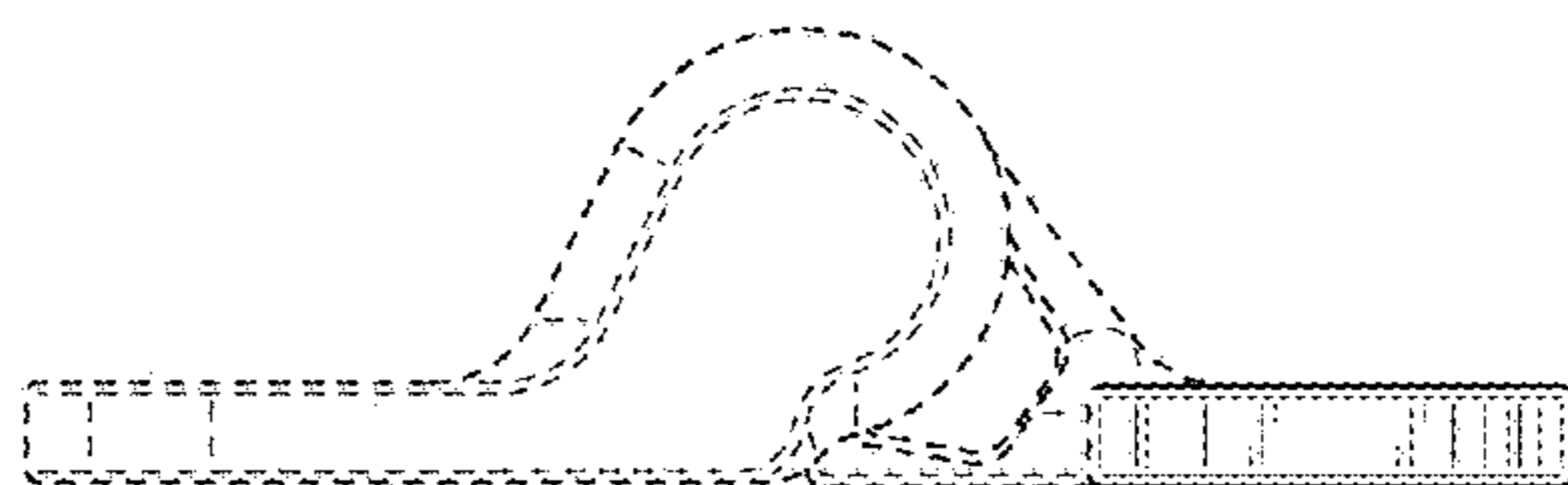


FIG. 8