



US00D789763S

(12) **United States Design Patent**
Squiers et al.

(10) **Patent No.:** **US D789,763 S**

(45) **Date of Patent:** **** Jun. 20, 2017**

(54) **FOLDING KNIFE**

(71) Applicant: **Milwaukee Electric Tool Corporation,**
Brookfield, WI (US)

(72) Inventors: **Grant T. Squiers,** Cudahy, WI (US);
Joseph M. DeBaker, Milwaukee, WI (US)

(73) Assignee: **MILWAUKEE ELECTRIC TOOL CORPORATION,** Brookfield, WI (US)

(**) Term: **15 Years**

(21) Appl. No.: **29/548,049**

(22) Filed: **Dec. 10, 2015**

(51) **LOC (10) Cl.** **08-03**

(52) **U.S. Cl.**
USPC **D8/99**

(58) **Field of Classification Search**
USPC D8/98, 99, 100, 105, 107; D22/118
CPC B26B 5/001; B26B 5/003; B26B 11/00;
B26B 1/08; B26B 1/02; B26B 1/10;
B26B 1/04
See application file for complete search history.

(56) **References Cited**

U.S. PATENT DOCUMENTS

551,052 A	12/1895	Shonnard et al.
1,743,022 A	1/1930	Carmen
1,996,501 A	4/1935	Baer
2,032,281 A	2/1936	Haywood
3,977,077 A	8/1976	Rebold
4,274,200 A	6/1981	Coder
4,451,982 A	6/1984	Collins
4,535,539 A	8/1985	Friedman et al.
4,612,706 A	9/1986	Yunes
4,730,394 A	3/1988	Sonner, Jr.
5,093,995 A	3/1992	Jan
5,095,624 A	3/1992	Ennis
5,111,581 A	5/1992	Collins

5,515,610 A	5/1996	Levin et al.
5,596,808 A	1/1997	Lake et al.
5,628,116 A	5/1997	Kohno
5,699,615 A	12/1997	Chen
5,737,841 A	4/1998	McHenry et al.
5,802,722 A	9/1998	Maxey et al.
5,815,927 A	10/1998	Collins

(Continued)

Primary Examiner — Phillip S Hyder

(74) *Attorney, Agent, or Firm* — Michael Best & Friedrich LLP

(57) **CLAIM**

We claim the ornamental design for a folding knife, as shown and described.

DESCRIPTION

FIG. 1 is a perspective view of a folding knife according to an embodiment of the invention.

FIG. 2 is a left side elevation view of the folding knife shown in FIG. 1.

FIG. 3 is a right side elevation view of the folding knife shown in FIG. 1.

FIG. 4 is a top plan view of the folding knife shown in FIG. 1.

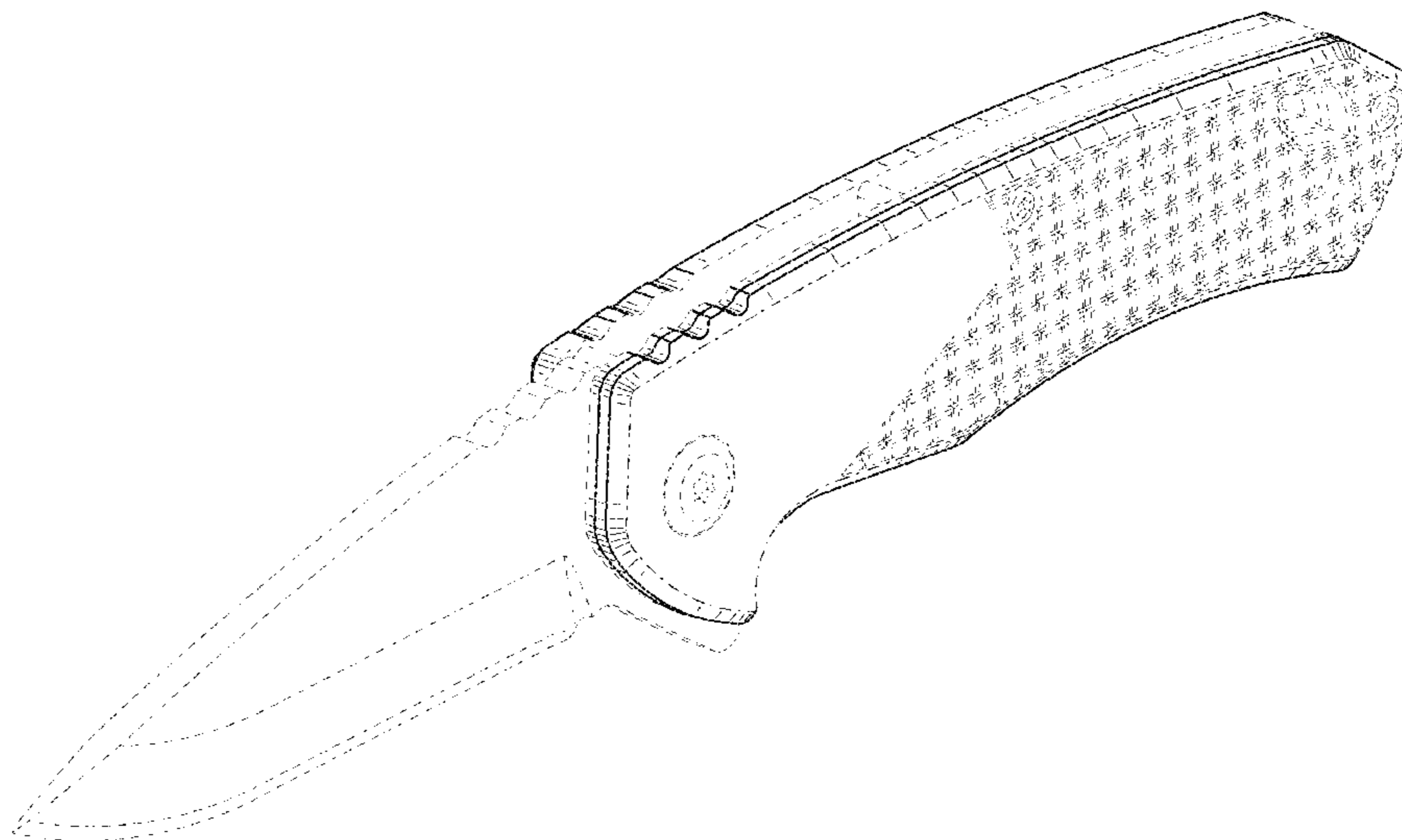
FIG. 5 is a bottom plan view of the folding knife shown in FIG. 1.

FIG. 6 is a front plan view of the folding knife shown in FIG. 1; and,

FIG. 7 is a rear plan view of the folding knife shown in FIG. 1.

The broken lines depict portions of the folding knife in which the design is embodied that are not considered part of the claimed design. For example, the asterisk-like elements on the sides of the handle are a result of drawing a grip pattern in broken lines. These asterisk-like elements are not part of the claimed design. The broken lines having unequal line segments illustrate boundaries of the claimed design.

1 Claim, 4 Drawing Sheets



(56)

References Cited

U.S. PATENT DOCUMENTS

5,896,665 A	4/1999	Harris		7,543,386 B2	6/2009	Sullivan	
D422,479 S *	4/2000	Pardue	D8/99	7,555,839 B2	7/2009	Koelewyn	
D422,871 S *	4/2000	Terzuola	D8/99	7,562,455 B2	7/2009	McHenry et al.	
6,145,202 A	11/2000	Onion		7,581,321 B2	9/2009	Kain	
6,154,965 A	12/2000	Sakai		7,676,931 B2	3/2010	Knight et al.	
D438,443 S *	3/2001	Keating	D8/99	7,676,932 B2	3/2010	Grice	
6,308,420 B1	10/2001	Moser		7,681,316 B2	3/2010	Hawk et al.	
6,338,431 B1	1/2002	Onion		7,827,697 B2	11/2010	Lake	
6,354,007 B1	3/2002	Scarla		7,854,067 B2	12/2010	Lake	
6,360,443 B1	3/2002	Remus		7,886,444 B2	2/2011	Kao	
6,378,214 B1	4/2002	Onion		7,905,022 B2	3/2011	Hawk et al.	
6,397,476 B1	6/2002	Onion		7,905,023 B2	3/2011	Westerfield	
6,397,477 B1	6/2002	Collins		7,979,990 B2 *	7/2011	Hawk	B26B 1/048 30/155
6,427,334 B2	8/2002	Onion		8,001,693 B2	8/2011	Onion	
6,438,848 B1	8/2002	McHenry et al.		RE42,906 E	11/2011	Onion	
6,490,797 B1	12/2002	Lake et al.		D653,520 S *	2/2012	Chang	D8/99
6,516,525 B2	2/2003	Liu		8,261,633 B2	9/2012	Maxey	
6,523,265 B2	2/2003	Eickhorn		8,307,555 B2	11/2012	Onion	
D473,917 S *	4/2003	Carter, III	D22/118	8,359,753 B1	1/2013	Frazer	
D474,669 S	5/2003	Onion		8,375,589 B2	2/2013	Bremer et al.	
6,591,504 B2	7/2003	Onion		D677,551 S *	3/2013	Pelton	B26B 11/006 D8/99
6,594,906 B1	7/2003	Sakai et al.		8,413,338 B2	4/2013	Freeman	
6,688,003 B2	2/2004	Scarla		8,511,208 B1	8/2013	Frazer	
6,915,577 B2	7/2005	Scala		8,528,215 B2	9/2013	Elsener	
6,941,661 B2	9/2005	Frazer		D703,510 S *	4/2014	Hyma	D8/99
6,959,494 B2	11/2005	Taylor		8,813,368 B2	8/2014	VanHoy	
7,051,441 B2	5/2006	Carter, III		8,939,053 B2	1/2015	Pardue	
7,059,053 B2	6/2006	Sakai		8,939,054 B2	1/2015	Hawk et al.	
7,080,457 B2	7/2006	Sullivan		8,966,768 B2	3/2015	Onion	
7,086,157 B2	8/2006	Vallotton		D754,515 S *	4/2016	Harsey	D8/99
7,107,686 B2	9/2006	Linn et al.		D769,692 S *	10/2016	Squiers	D8/99
7,124,509 B1	10/2006	Hawk		2004/0134075 A1 *	7/2004	Chu	B26B 1/048 30/161
7,140,110 B2	11/2006	Lake		2005/0055833 A1	3/2005	Scarla	
7,249,417 B2	7/2007	Chu		2005/0194238 A1	9/2005	Frazer	
7,305,768 B2	12/2007	Hinderer		2006/0021230 A1	2/2006	Mikami	
7,305,769 B2	12/2007	McHenry et al.		2006/0168822 A1	8/2006	Kaye	
7,313,866 B2	1/2008	Linn et al.		2006/0248728 A1	11/2006	Gibbs	
D560,996 S	2/2008	Onion		2007/0234574 A1	10/2007	Constantine et al.	
7,340,838 B2	3/2008	Onion		2010/0212163 A1	8/2010	Liu	
7,370,421 B2	5/2008	Onion et al.		2012/0180321 A1	7/2012	Macnair et al.	
D570,180 S	6/2008	Onion		2013/0160300 A1	6/2013	Liu	
7,395,599 B2	7/2008	Onion		2013/0318798 A1	12/2013	Elsener	
D579,299 S *	10/2008	Ping	D8/99	2014/0115900 A1	5/2014	Ikoma	
7,437,822 B2	10/2008	Flagg et al.		2014/0196218 A1	7/2014	Frazer	
7,458,159 B2	12/2008	Galyean et al.		2014/0208595 A1	7/2014	Frazer	
7,506,446 B2	3/2009	Onion		2014/0259687 A1	9/2014	Griffey	
7,513,044 B2	4/2009	Lake					
7,533,466 B2	5/2009	Steigerwalt					

* cited by examiner

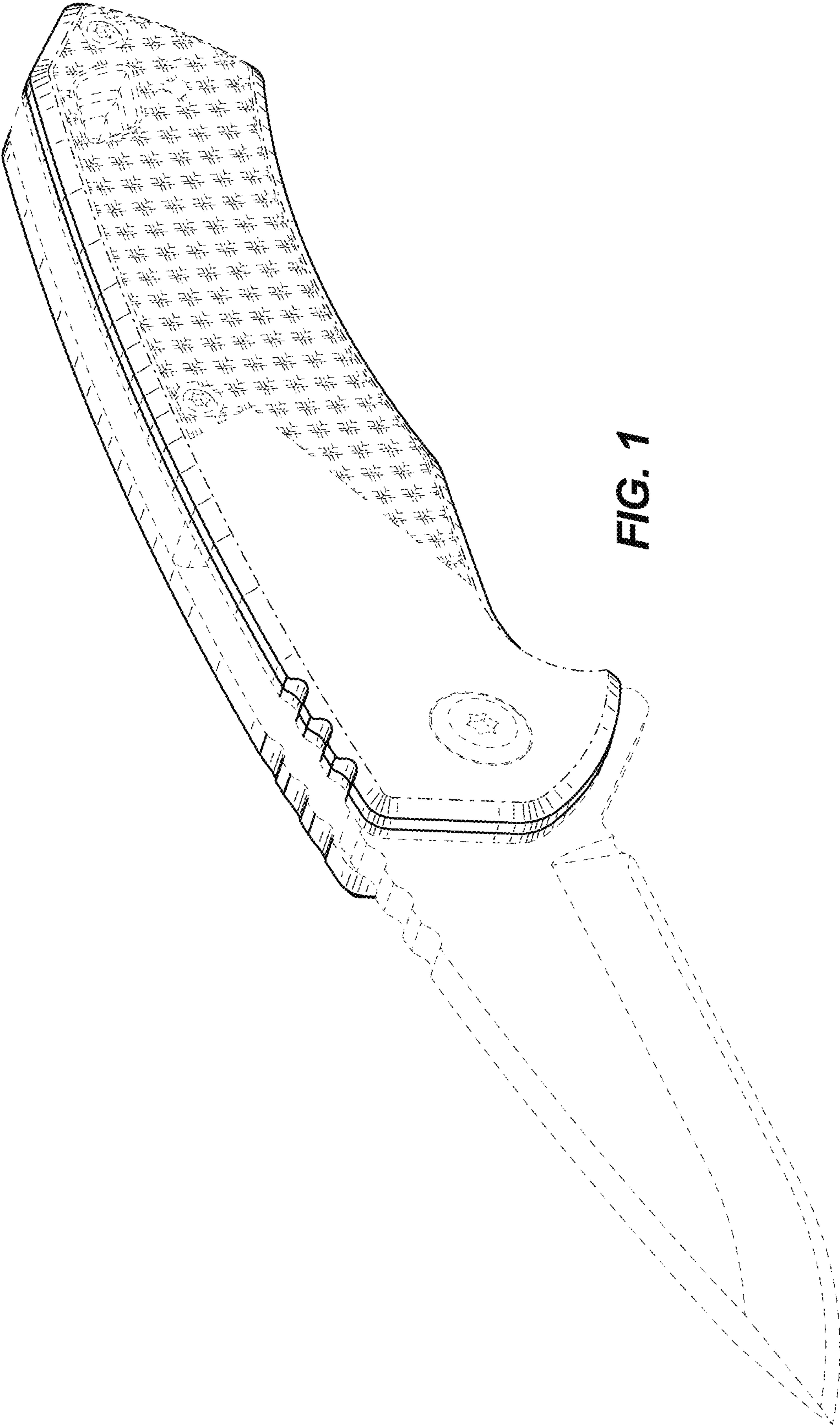


FIG. 1

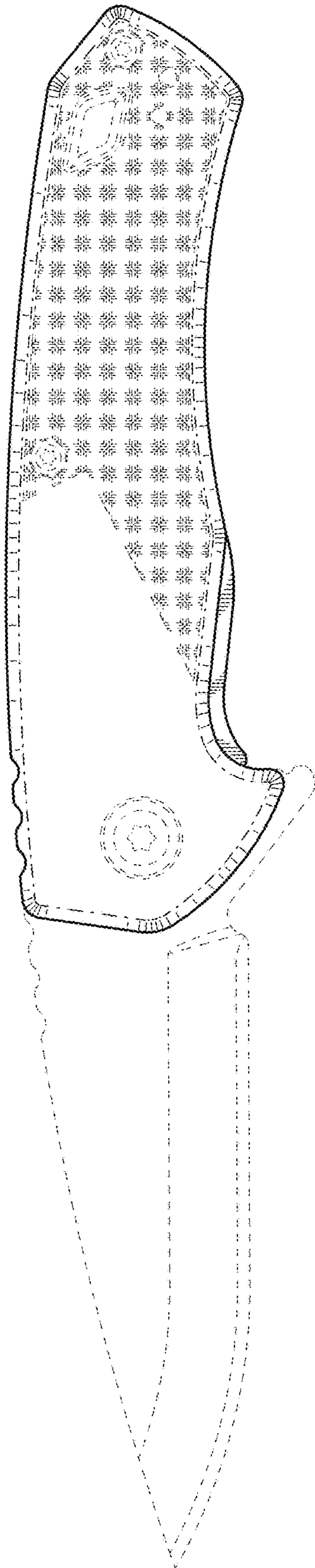


FIG. 2

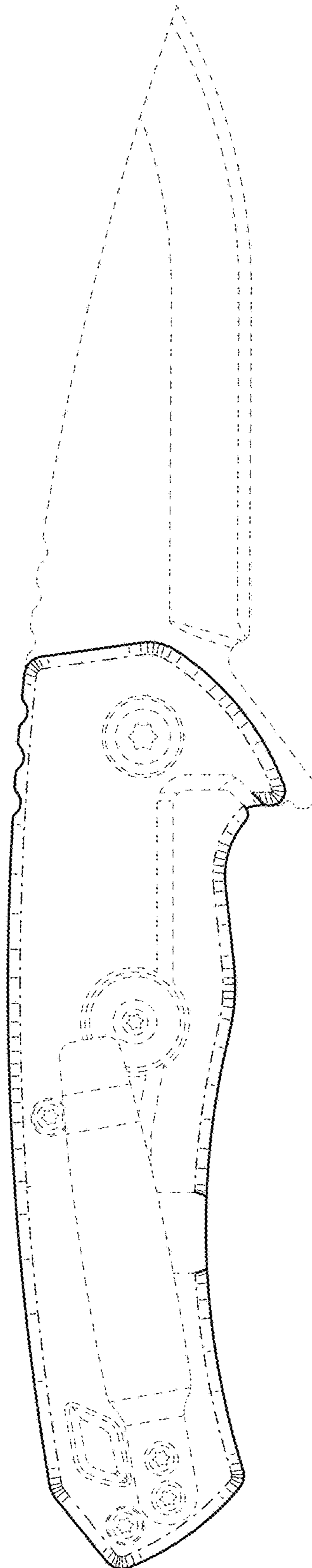


FIG. 3

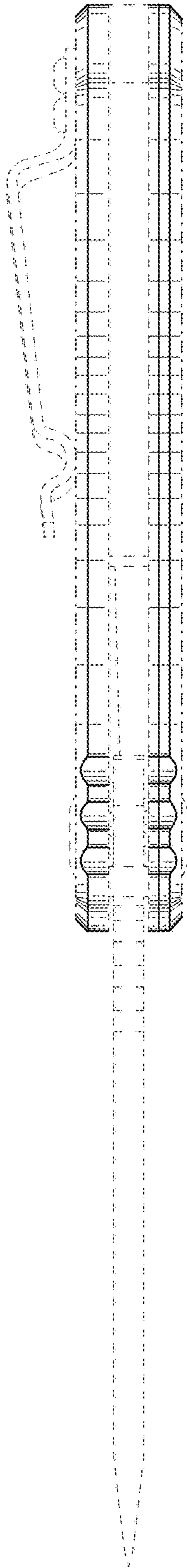


FIG. 4

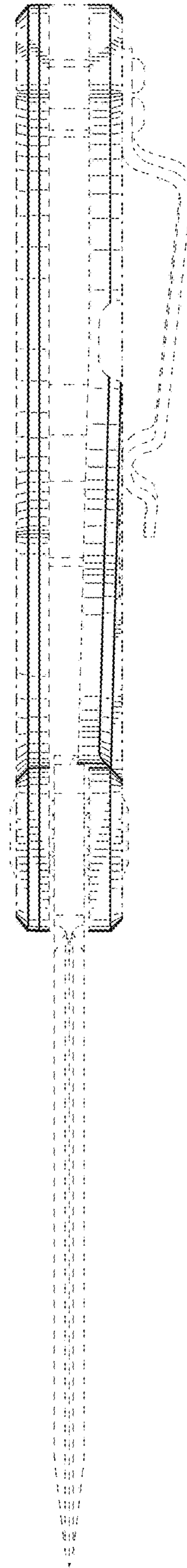


FIG. 5

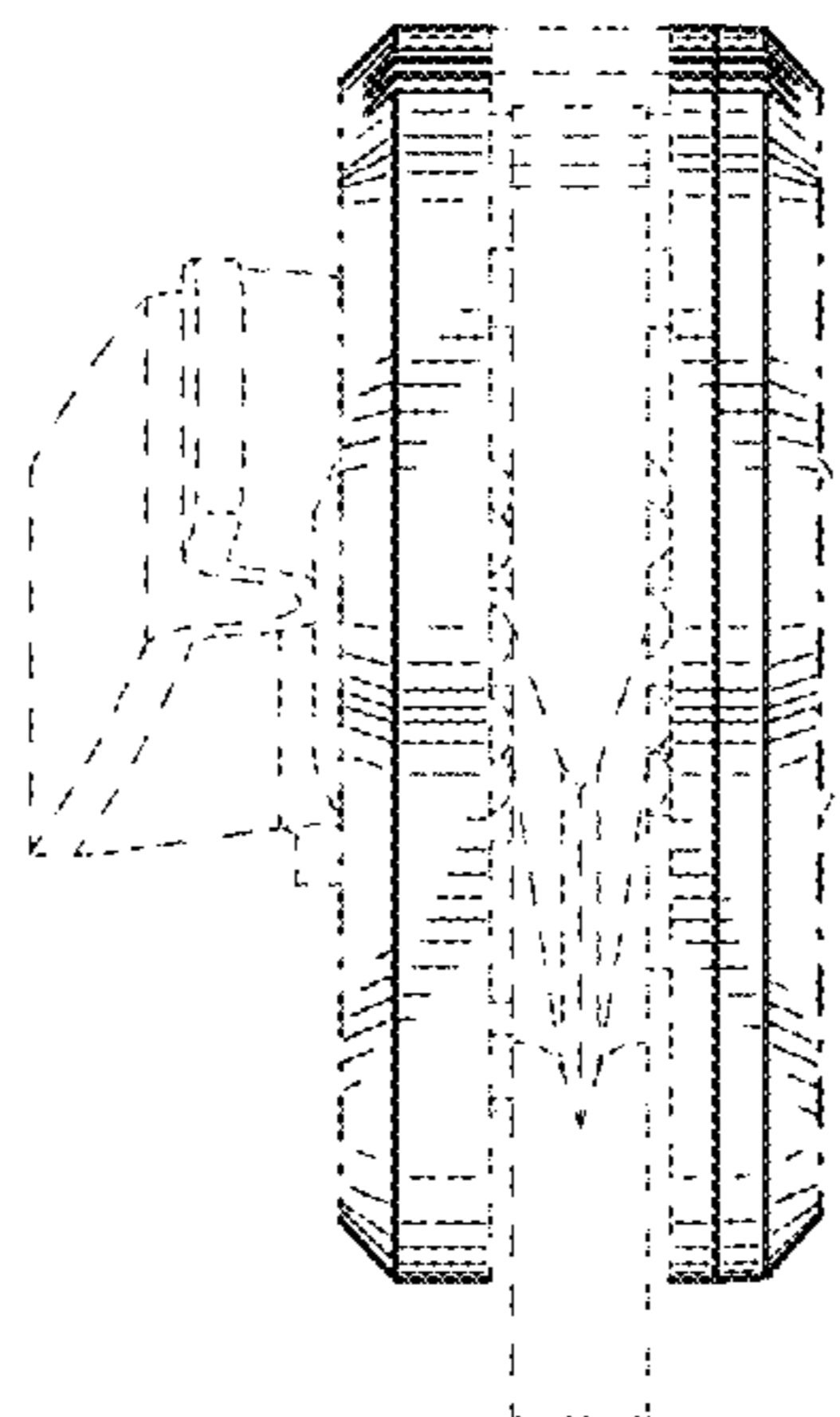


FIG. 6

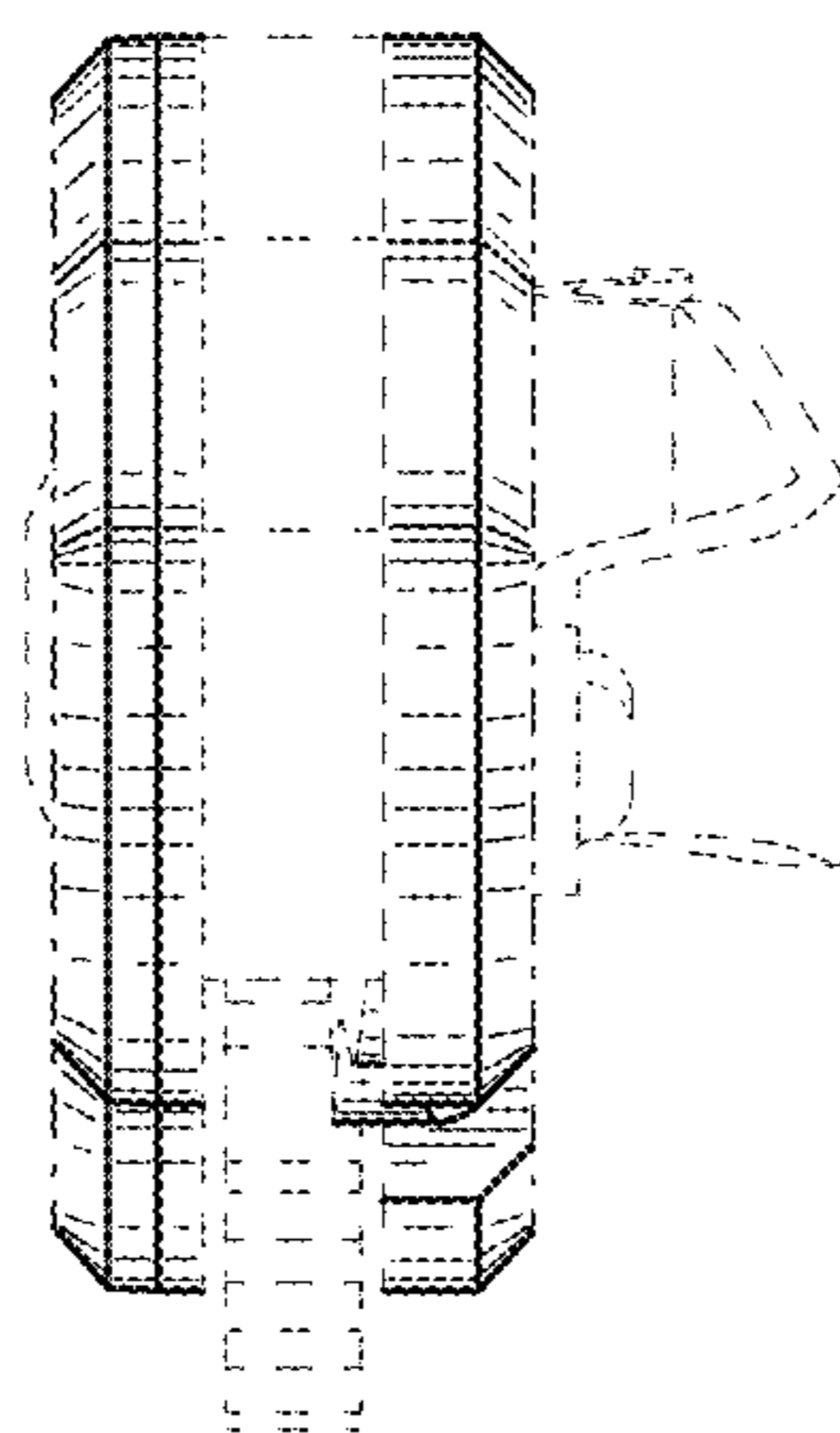


FIG. 7