



US00D789762S

(12) **United States Design Patent**
Hamman

(10) **Patent No.:** **US D789,762 S**
(45) **Date of Patent:** **** Jun. 20, 2017**

(54) **RAZOR SHARPENER**
(71) Applicant: **Glenn Hamman**, Jacksonville, FL (US)
(72) Inventor: **Glenn Hamman**, Jacksonville, FL (US)
(**) Term: **15 Years**
(21) Appl. No.: **29/568,374**
(22) Filed: **Jun. 17, 2016**
(51) **LOC (10) Cl.** **08-05**
(52) **U.S. Cl.**
USPC **D8/92**
(58) **Field of Classification Search**
USPC D8/14, 63, 71, 90-94
CPC B23Q 3/00; B24B 3/36; B24B 3/48; B24D
15/06; B24D 15/065; B24D 15/08; B24D
15/085; B24D 15/088
See application file for complete search history.

3,889,809 A 6/1975 McNair
4,025,319 A 5/1977 Smith
D246,756 S * 12/1977 Smyth D8/91
4,229,910 A 10/1980 McRae
4,231,194 A 11/1980 Glesser
4,611,437 A * 9/1986 Cohen B24D 15/06
451/461
D288,169 S * 2/1987 Cohen D8/93
4,719,722 A 1/1988 Washburn
D328,161 S * 7/1992 Welch D22/112
D333,965 S * 3/1993 Wood D8/92
5,700,189 A * 12/1997 Farris B24D 15/08
451/555
D405,992 S * 2/1999 Lee D6/522
D470,382 S * 2/2003 Kurz D8/91
6,726,552 B2 4/2004 Wilczynski
7,229,345 B2 * 6/2007 Fierus B24D 15/08
451/523
D633,317 S 3/2011 Walters
(Continued)

FOREIGN PATENT DOCUMENTS

WO WO2007109053 9/2007
Primary Examiner — Philip S Hyder
Assistant Examiner — Roselynn Cody

(56) **References Cited**

U.S. PATENT DOCUMENTS

769,723 A * 9/1904 Wilkins B24D 15/08
451/555
1,223,127 A 4/1917 Walker
1,500,241 A * 7/1924 Gum B24D 15/08
451/552
1,803,364 A * 5/1931 Stephens B24D 15/085
451/321
2,284,535 A * 5/1942 Park B24D 15/088
451/557
D181,108 S * 10/1957 Rosenberg D8/93
3,011,366 A * 12/1961 Sandven B23Q 3/00
451/367
3,034,264 A 5/1962 McMaster
3,854,251 A * 12/1974 Paule B24B 3/48
451/321
D235,160 S * 5/1975 Levin D15/130
3,882,642 A * 5/1975 Sykes B24D 15/08
451/320

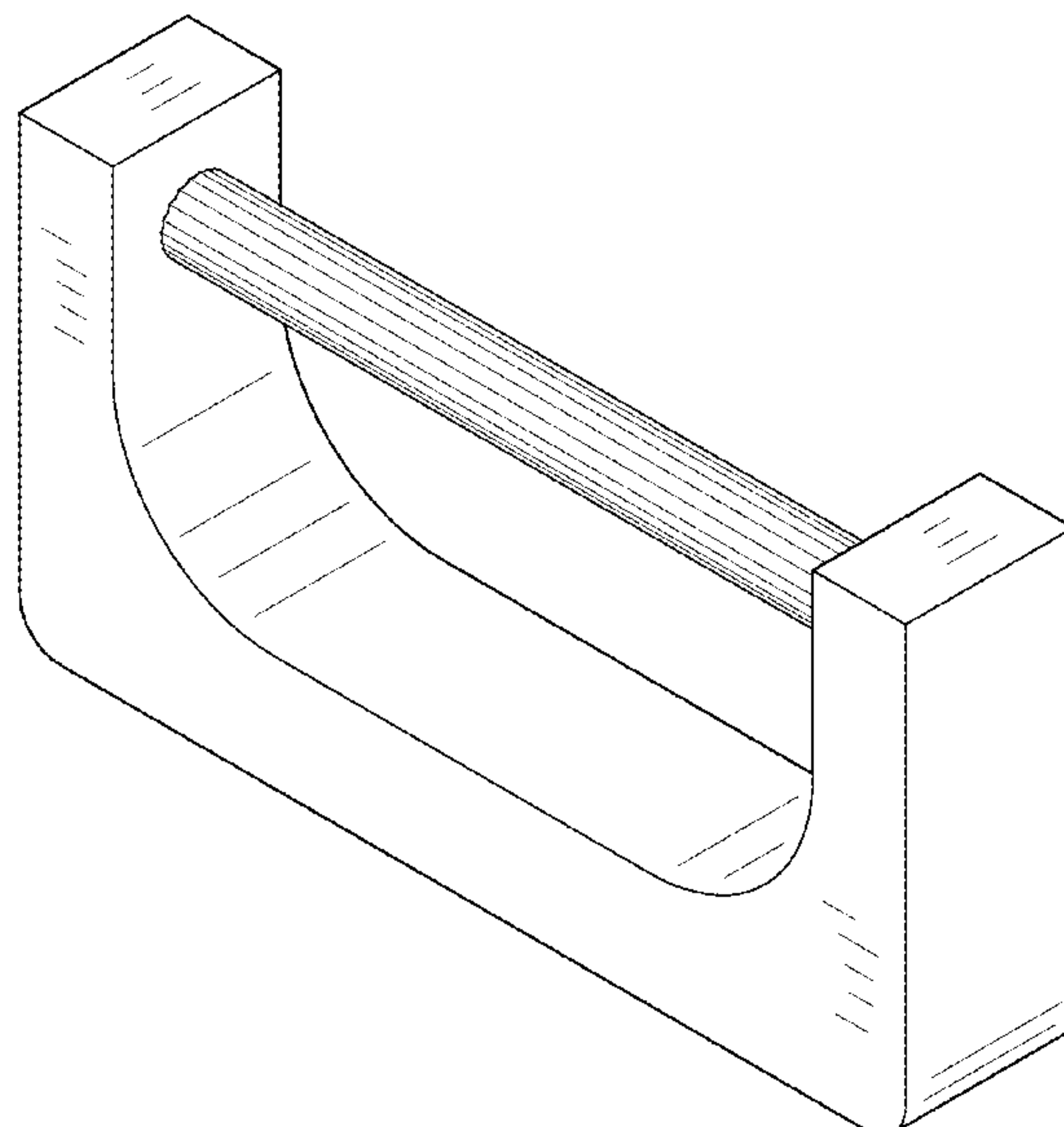
(57) **CLAIM**

The ornamental design for a razor sharpener, as shown and described.

DESCRIPTION

FIG. 1 is a front view of a razor sharpener showing my new design, a rear view being identical;
FIG. 2 is a left side view of the razor sharpener, a right side view being identical;
FIG. 3 is a top view of the razor sharpener;
FIG. 4 is a bottom view of the razor sharpener; and,
FIG. 5 is a top front side perspective view of the razor sharpener.

1 Claim, 3 Drawing Sheets



(56)

References Cited

U.S. PATENT DOCUMENTS

D732,366 S * 6/2015 Villegas Gomez D8/92
2011/0254212 A1* 10/2011 Collins B25B 11/005
269/3

* cited by examiner

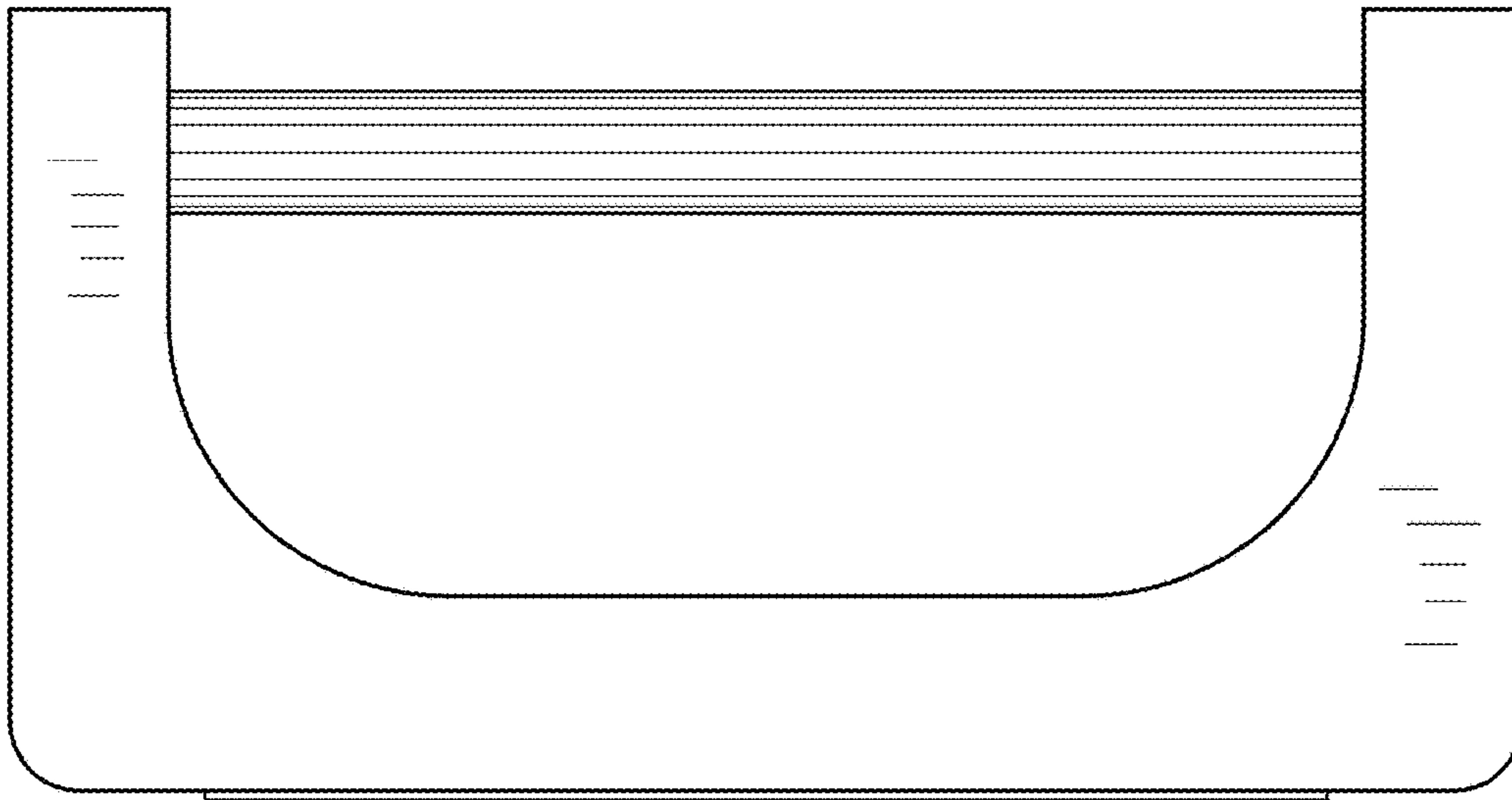


FIG. 1

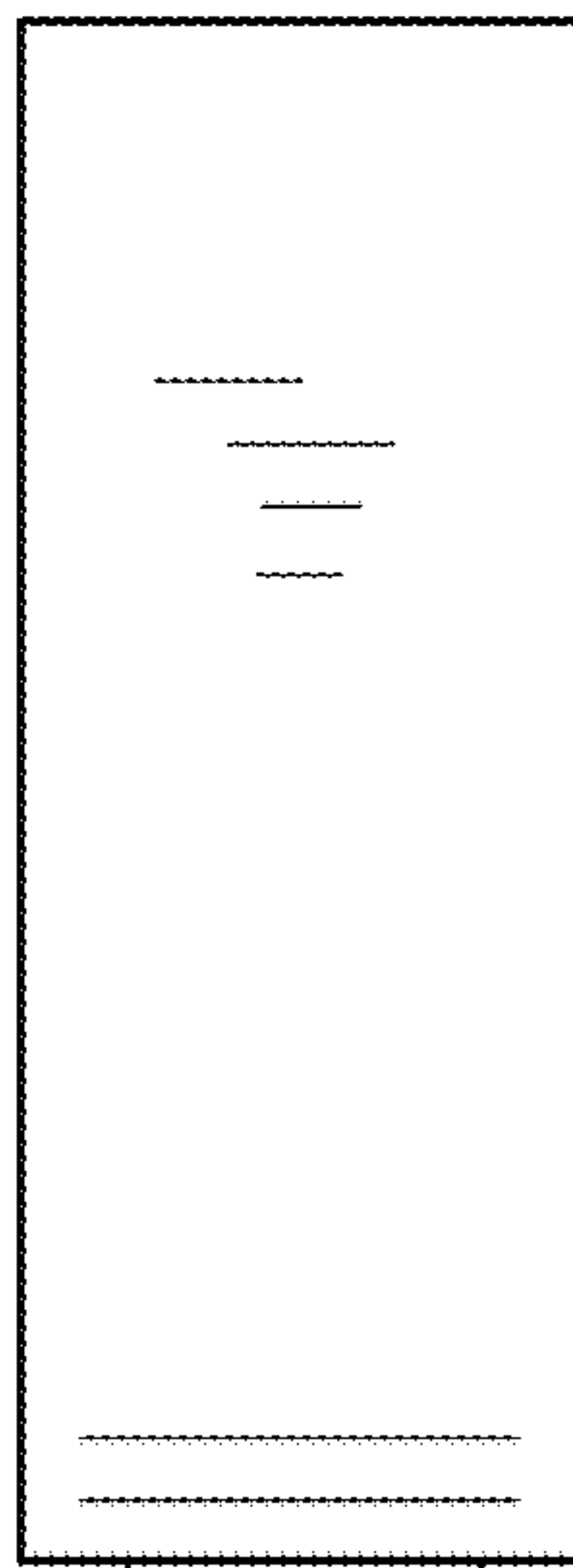


FIG. 2

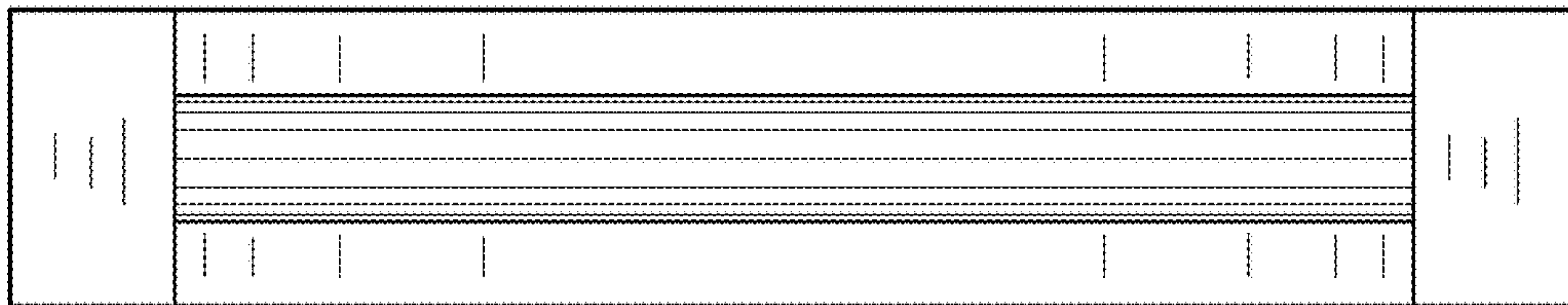


FIG. 3

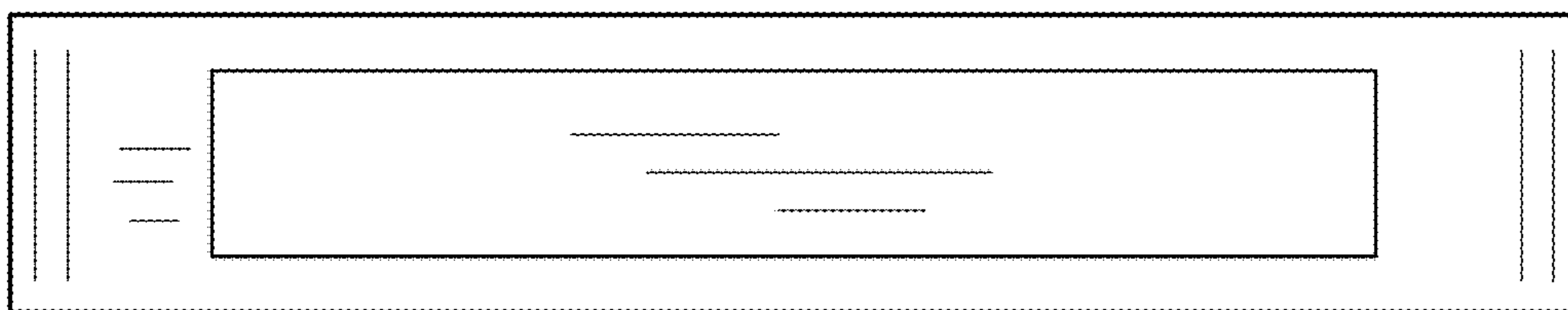


FIG. 4

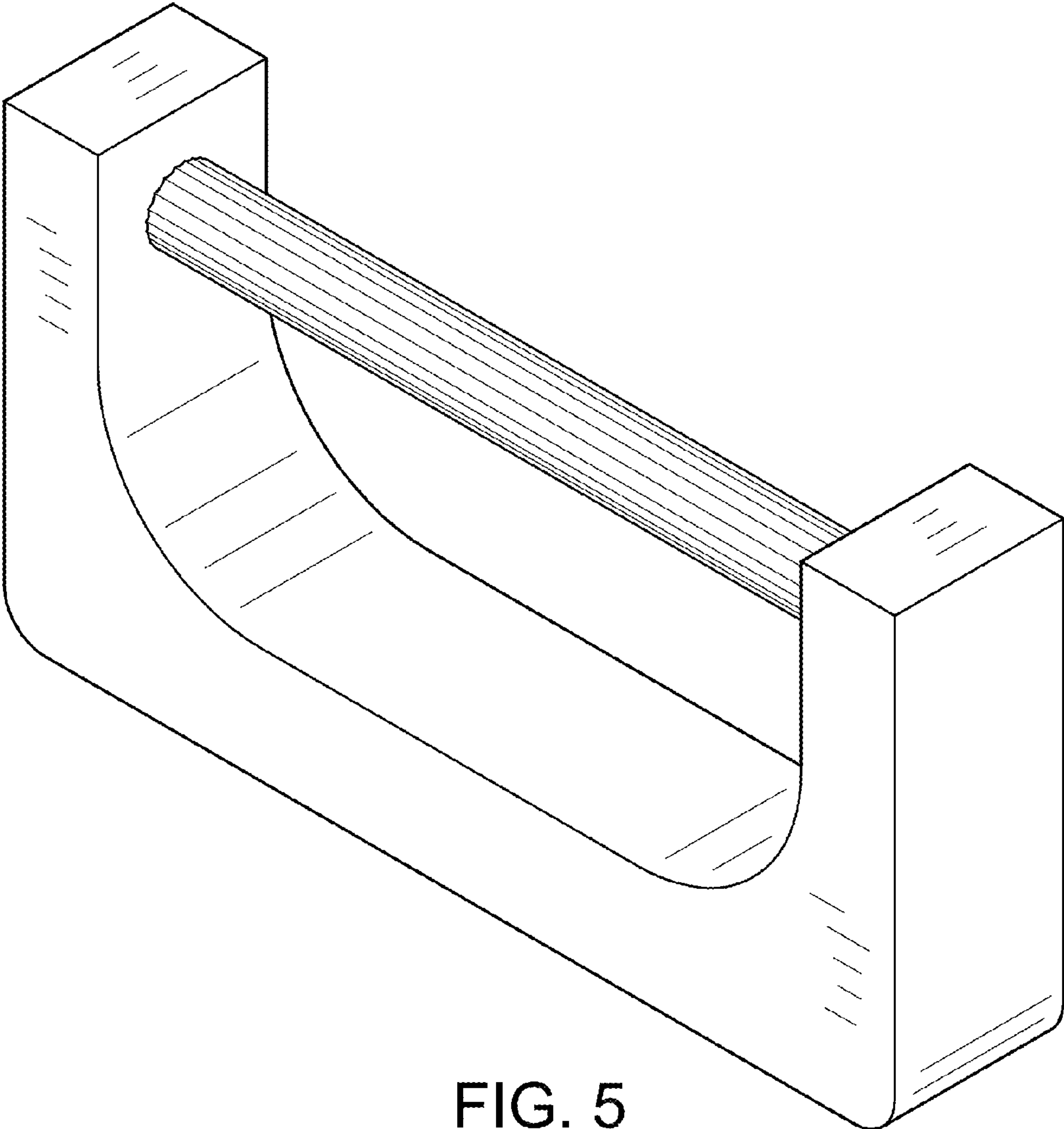


FIG. 5