



US00D789759S

(12) **United States Design Patent** (10) **Patent No.:** **US D789,759 S**  
**Fellmann et al.** (45) **Date of Patent:** **\*\* Jun. 20, 2017**

(54) **SAW BLADE**

D713,231 S \* 9/2014 Boozic ..... D8/70  
D734,649 S \* 7/2015 Wackwitz ..... D8/70  
D741,137 S \* 10/2015 Yang ..... D8/70  
D746,655 S \* 1/2016 Wackwitz ..... D8/70

(71) Applicant: **Robert Bosch GmbH**, Stuttgart (DE)

(72) Inventors: **Willi Fellmann**, Solothurn/Schweiz (CH); **Milan Bozic**, Solothurn (CH)

(73) Assignee: **Robert Bosch GmbH**, Stuttgart (DE)

(\*\*) Term: **15 Years**

(21) Appl. No.: **29/555,203**

(22) Filed: **Feb. 19, 2016**

(30) **Foreign Application Priority Data**

Aug. 21, 2015 (EM) ..... 002758342

(51) **LOC (10) Cl.** ..... **08-03**

(52) **U.S. Cl.**  
USPC ..... **D8/70**

(58) **Field of Classification Search**  
USPC ..... D8/70; D15/140  
CPC ..... B23D 61/006; B23D 65/00; B26D 7/086;  
B26D 7/2614  
See application file for complete search history.

(56) **References Cited**

**U.S. PATENT DOCUMENTS**

4,730,952 A \* 3/1988 Wiley ..... B24B 45/006  
30/388  
D402,738 S 12/1998 Oswaks et al.  
D424,076 S \* 5/2000 Dibbern ..... D15/140  
D435,571 S \* 12/2000 Dibbern ..... D15/140  
6,340,022 B1 \* 1/2002 Schroer ..... B27B 5/32  
125/12  
D528,407 S \* 9/2006 Schwab ..... D8/399  
D692,958 S 11/2013 Barret et al.  
D697,776 S \* 1/2014 Bozic ..... D8/70  
D697,777 S \* 1/2014 Bozic ..... D8/70  
D711,993 S 8/2014 Mirafior, III et al.

\* cited by examiner

*Primary Examiner* — Darlington Ly

(74) *Attorney, Agent, or Firm* — Maginot, Moore & Beck LLP

(57) **CLAIM**

The ornamental design for a saw blade, as shown and described.

**DESCRIPTION**

FIG. 1 is a perspective view of a saw blade showing our new design;

FIG. 2 is a front elevational view showing the design for the saw blade of FIG. 1;

FIG. 3 is a rear elevational view showing the design for the saw blade of FIG. 1;

FIG. 4 is a right side elevational view showing the design for the saw blade of FIG. 1;

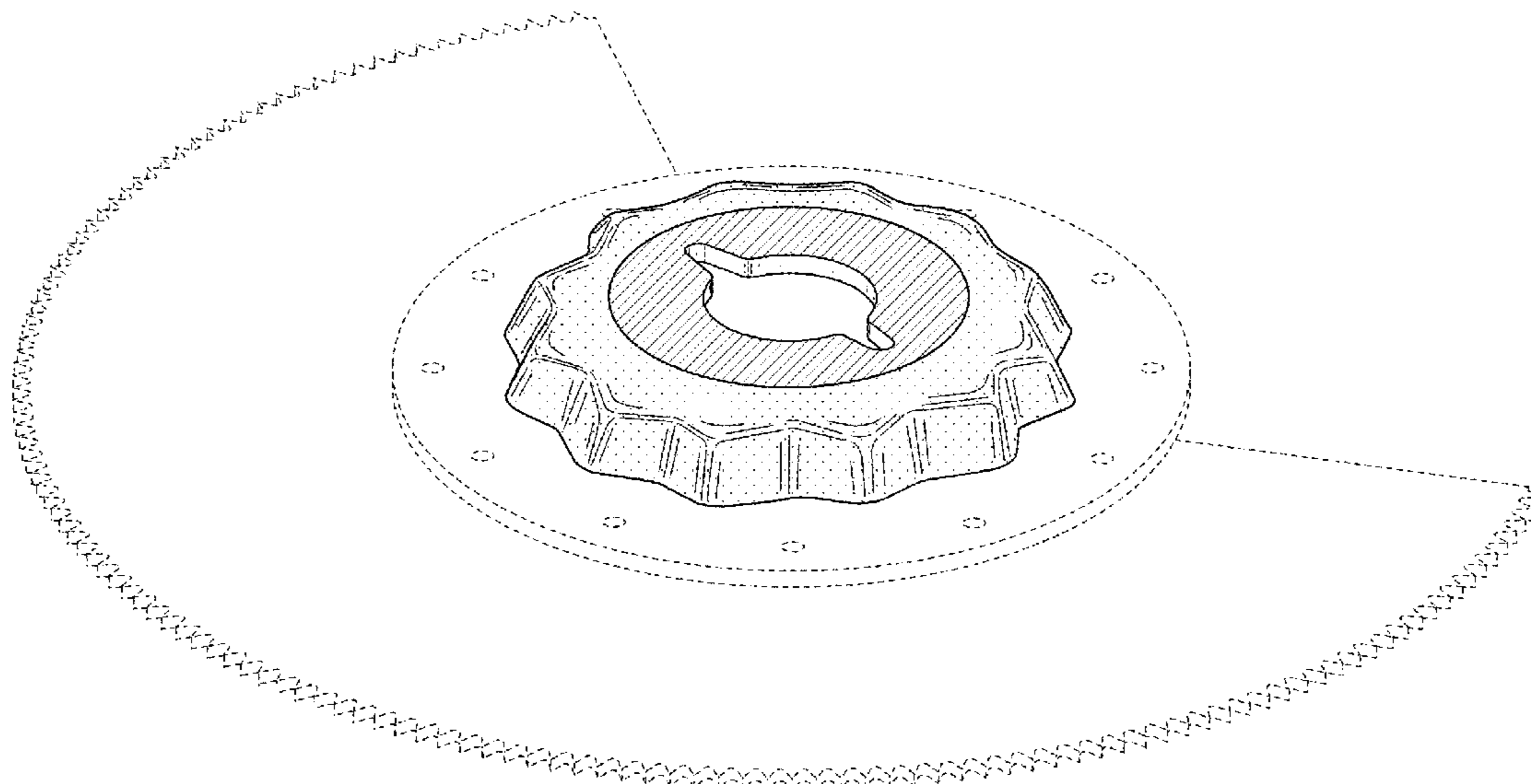
FIG. 5 is a left side elevational view showing the design for the saw blade of FIG. 1;

FIG. 6 is a top plan view showing the design for the saw blade of FIG. 1; and,

FIG. 7 is a bottom plan view showing the design for the saw blade of FIG. 1.

The broken lines in the drawings illustrate portions of the saw blade that form no part of the claimed design. Furthermore, the showing of the diagonally-lined area surrounding the center keyed opening and the dotted areas beyond are provided for the purposes of graphically indicating a contrast in color between the aforementioned areas. No particular colors form part of the claimed design.

**1 Claim, 5 Drawing Sheets**



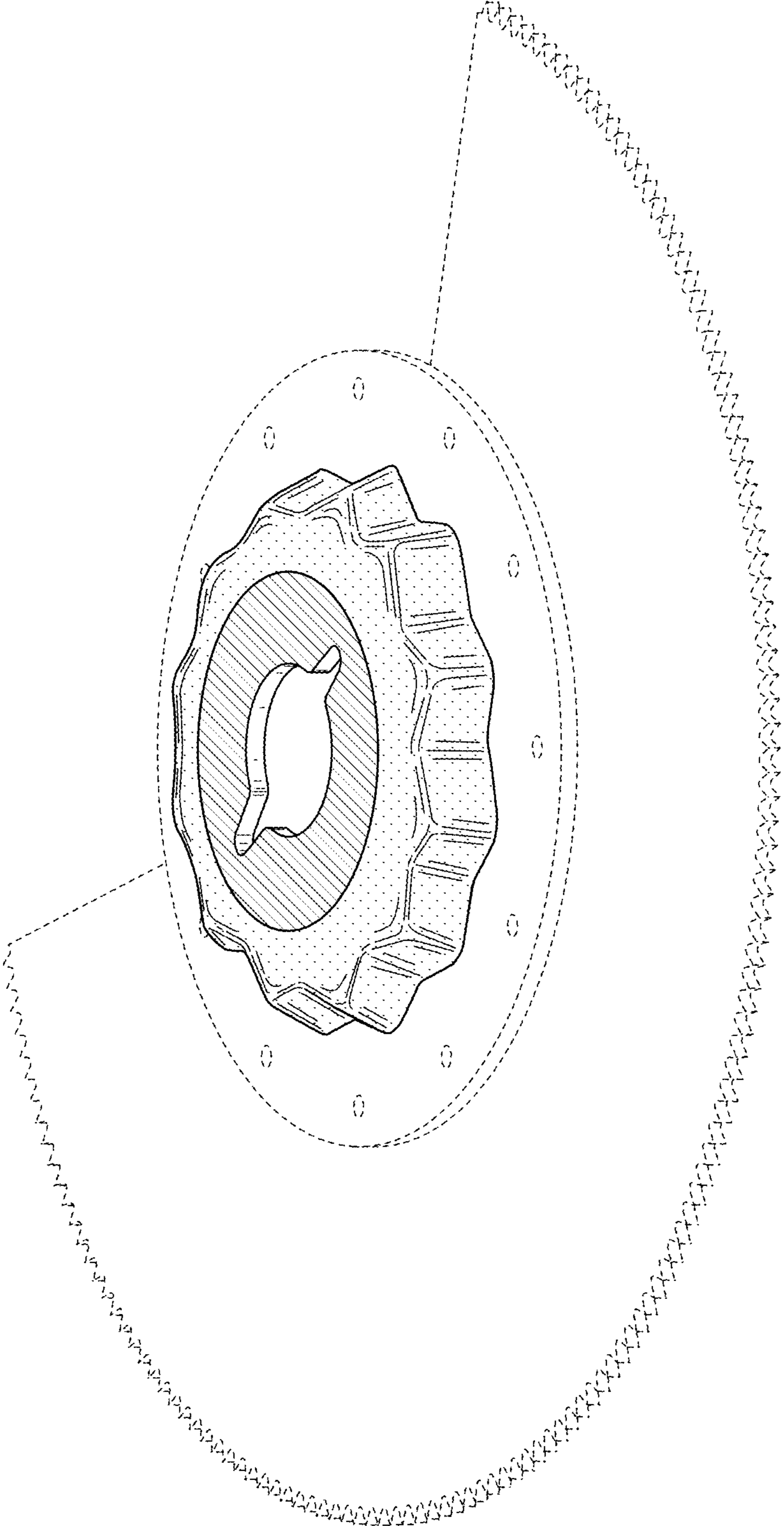
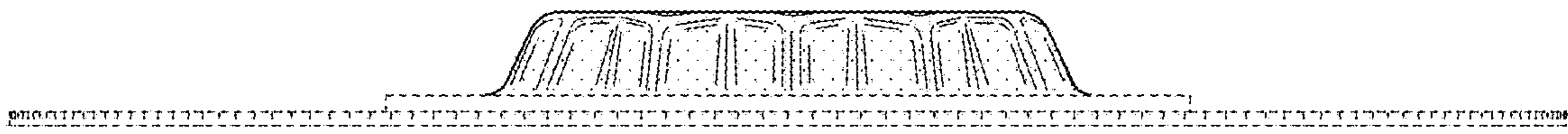
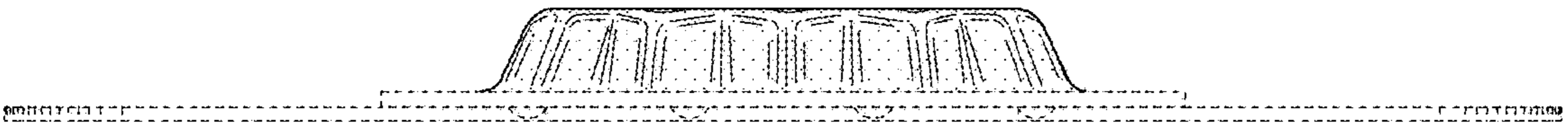


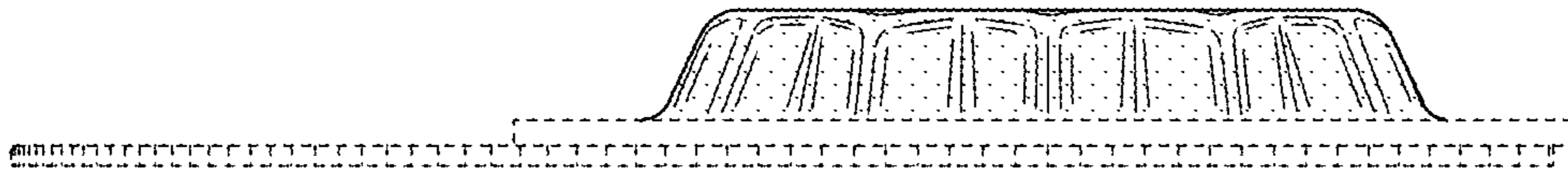
FIG. 1



**FIG. 2**



**FIG. 3**



**FIG. 4**



**FIG. 5**

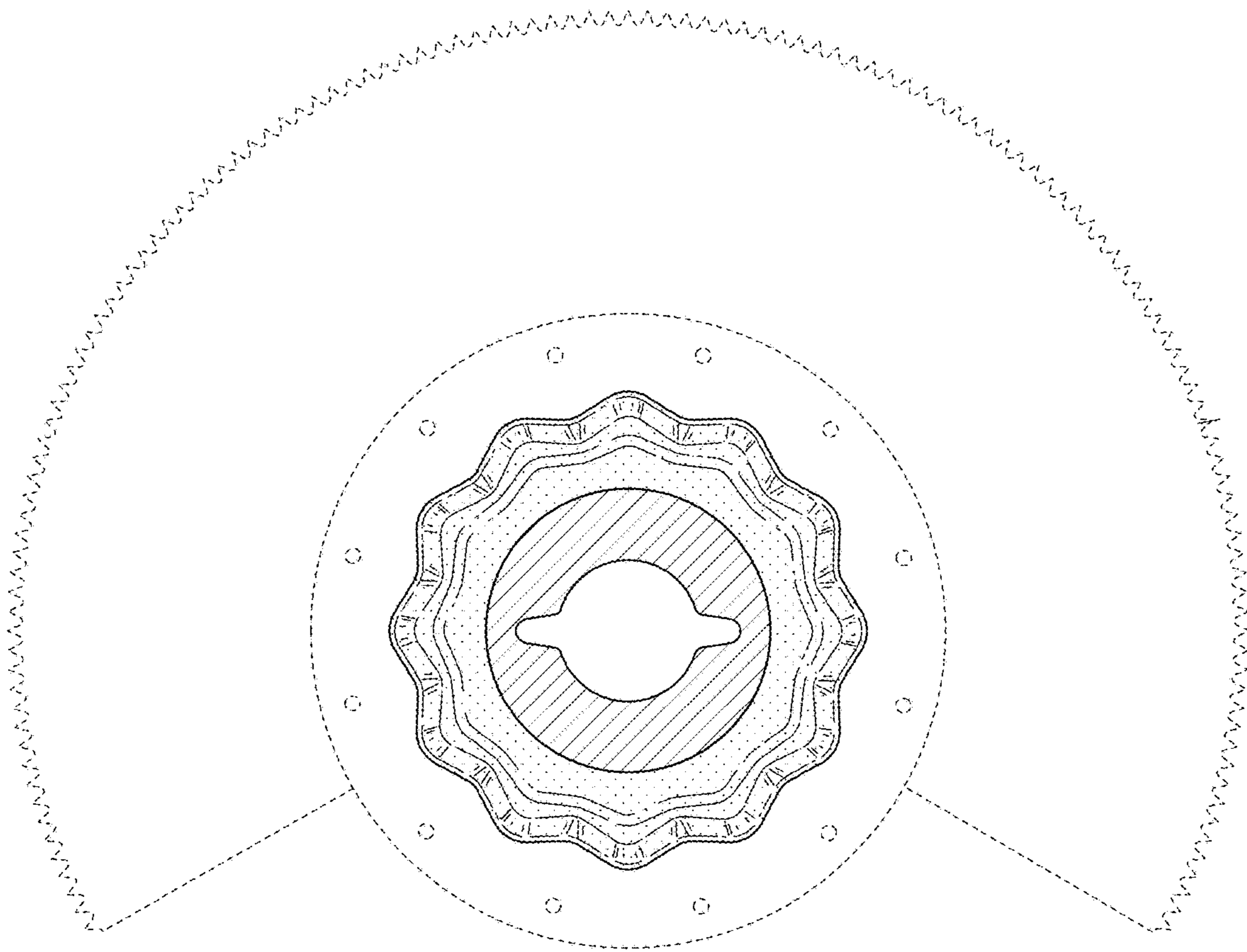


FIG. 6

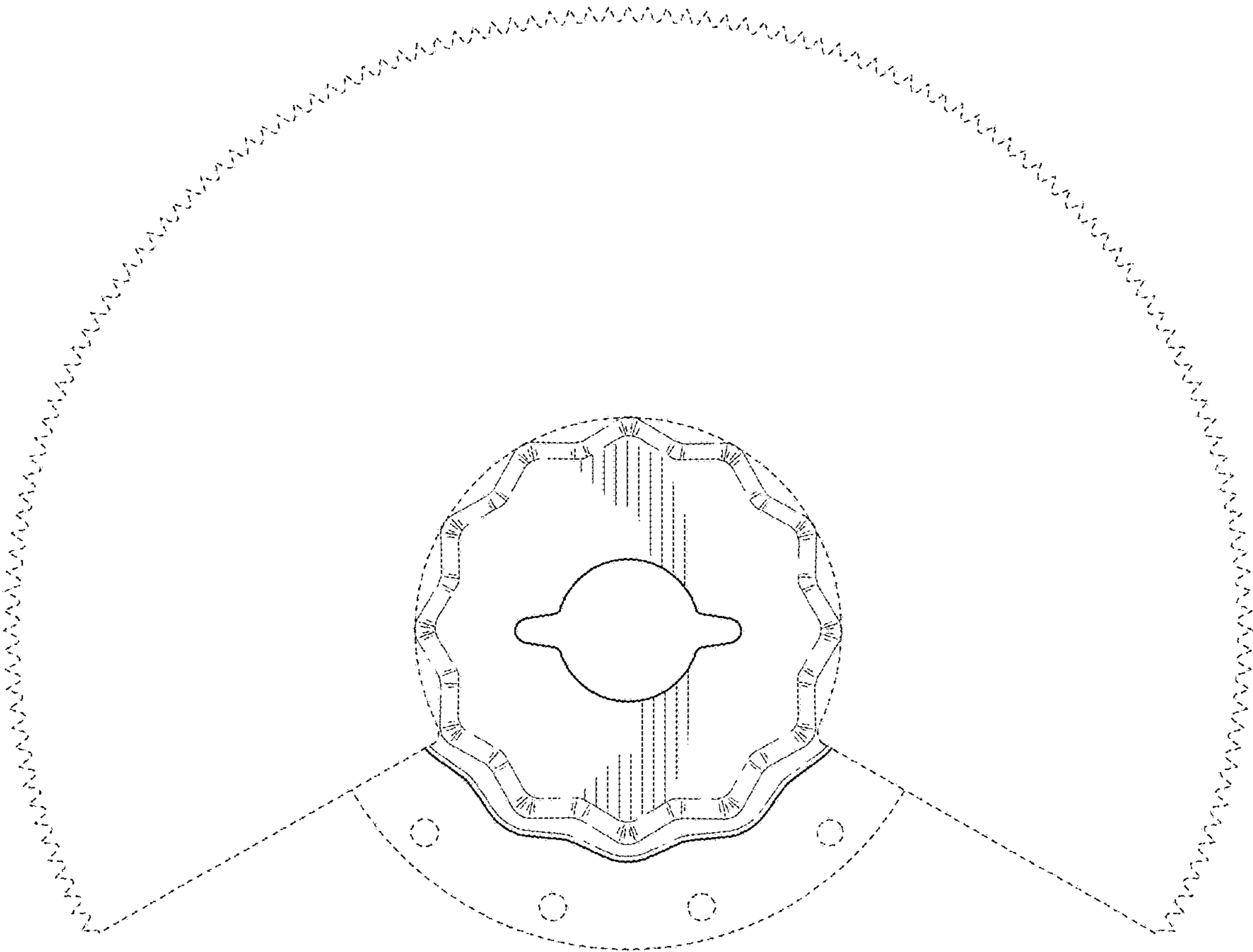


FIG. 7