



US00D789757S

(12) **United States Design Patent**
Phillips

(10) **Patent No.:** **US D789,757 S**
(45) **Date of Patent:** **** Jun. 20, 2017**

(54) **WINE RACK**

(71) Applicant: **Kevin Phillips**, Richfield Springs, NY (US)

(72) Inventor: **Kevin Phillips**, Richfield Springs, NY (US)

(**) Term: **15 Years**

(21) Appl. No.: **29/559,672**

(22) Filed: **Mar. 30, 2016**

(51) **LOC (10) Cl.** **07-06**

(52) **U.S. Cl.**
USPC **D7/704**

(58) **Field of Classification Search**

USPC D3/306; D6/514, 553, 566, 569;
D7/619.1, 620, 622, 701, 704, 705, 706,
D7/707, 708, 708.1, 709; D8/370, 373;
D9/434, 455, 457; D24/228
CPC A47B 73/002; A47B 73/006; A47B 73/00;
B01L 9/06

See application file for complete search history.

(56) **References Cited**

U.S. PATENT DOCUMENTS

3,746,179 A	7/1973	Paumgardhen	
D232,284 S	8/1974	Shuck	
D260,463 S	9/1981	Imus	
D263,021 S *	2/1982	Siegfried D11/5
4,421,238 A *	12/1983	Patton B68C 1/002
			211/106
D332,888 S *	2/1993	Cook D6/674
D351,535 S	10/1994	Renegar	
D378,888 S	4/1997	Bertilsson	
D391,122 S *	2/1998	Wu D6/678.4
D464,871 S *	10/2002	Kalat D8/372

(Continued)

OTHER PUBLICATIONS

Ever After Guide. Iron seven bottle wall mounted wine rack by Cranville Wine Racks. Nov. 25, 2016 [earliest online date], [site visited Mar. 17, 2017]. Available from Internet, <URL:https://www.

everafterguide.com/iron-seven-bottle-wall-mounted-wine-rack-by-cranville-wine-racks-1124b141fdac9431.html>.*

(Continued)

Primary Examiner — Robert M Spear

Assistant Examiner — Darcey E Heflin

(74) *Attorney, Agent, or Firm* — Kevin Phillips; Hoffman Warnick LLC

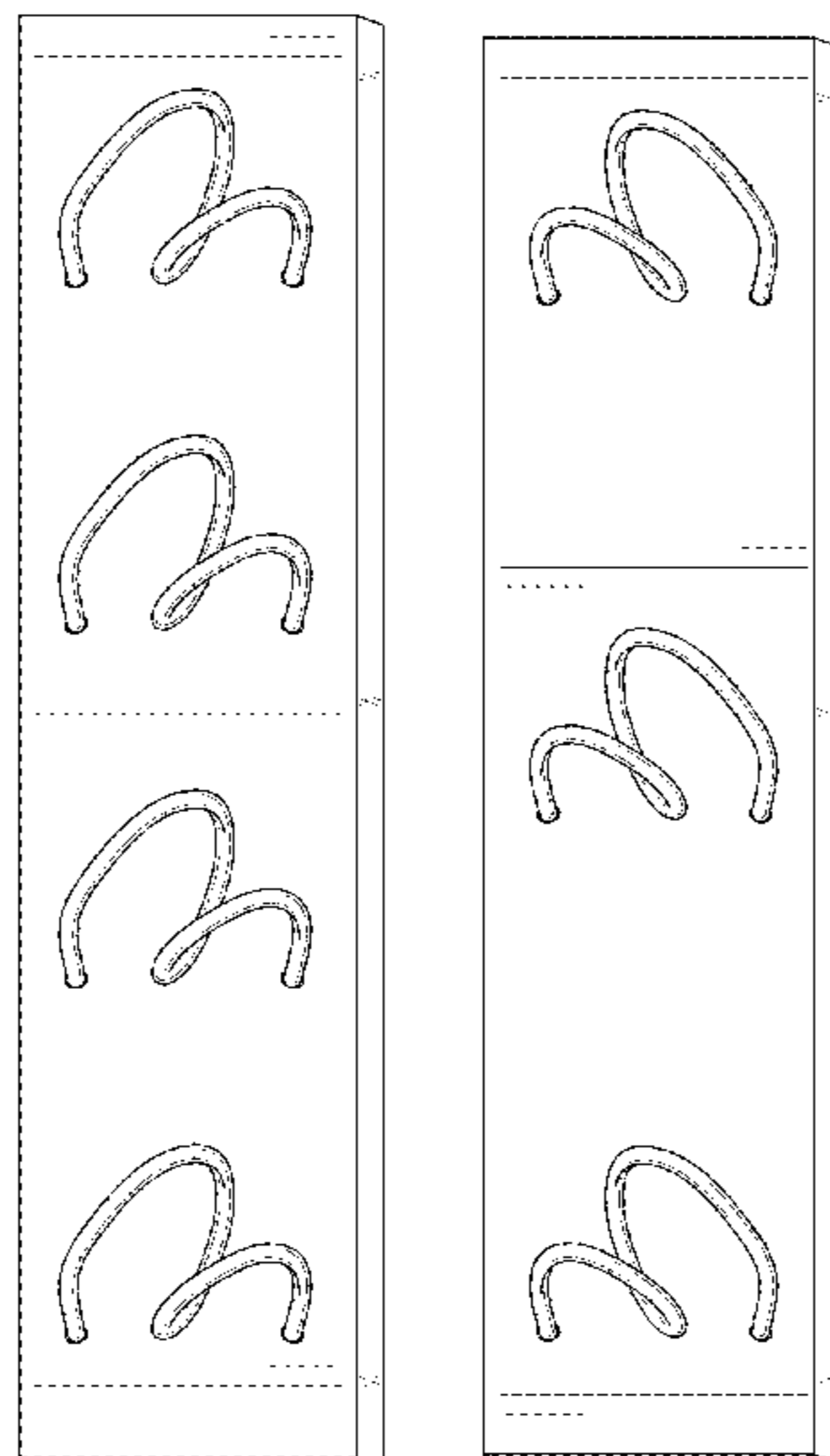
(57) **CLAIM**

The ornamental design for a wine rack, as shown and described.

DESCRIPTION

FIG. 1 is a front perspective view of a four bottle form of the wine rack showing my new design;
FIG. 2 is a left side perspective view of the form of the wine rack in FIG. 1;
FIG. 3 is a front perspective view of the form of the wine rack in FIG. 1 shown in a horizontal orientation;
FIG. 4 is a front perspective view of a three bottle form of the wine rack showing my new design;
FIG. 5 is a left side perspective view of the form of the wine rack in FIG. 3;
FIG. 6 is a front perspective view of the form of the wine rack in FIG. 3 shown in a horizontal orientation;
FIG. 7 is a front perspective view of a five bottle form of the wine rack showing my new design;
FIG. 8 is a left side perspective view of the form of the wine rack in FIG. 7;
FIG. 9 is a front perspective view of a two bottle form of the wine rack showing my new design;
FIG. 10 is a left side perspective view of the form of the wine rack in FIG. 9;
FIG. 11 is a front perspective view of an alternate three bottle form of the wine rack showing my new design; and,
FIG. 12 is a top side perspective view of the form of the wine rack in FIG. 11.

1 Claim, 12 Drawing Sheets



(56)

References Cited

U.S. PATENT DOCUMENTS

D487,862	S	*	3/2004	Tincher	D7/620
D498,963	S	*	11/2004	Sung-Feng	D6/553
D515,418	S	*	2/2006	Sandler	D9/434
D543,078	S		5/2007	Davalos		
D588,880	S		3/2009	Chou		
D628,451	S	*	12/2010	Nodolf	D6/300
D631,714	S	*	2/2011	Chen	D7/704
D659,905	S	*	5/2012	Fingerson	D28/73
D661,526	S	*	6/2012	Evans	D6/514
8,231,015	B2		7/2012	McCain		
D666,859	S	*	9/2012	Goodman	D6/566
D692,683	S	*	11/2013	Coraluzzo	D6/514
D748,335	S	*	1/2016	Goodman	D28/38
2004/0104187	A1	*	6/2004	McCain	A47B 73/002 211/75
2009/0152221	A1		6/2009	Hynes		

OTHER PUBLICATIONS

Hayneedle. Oenophilia Climbing Tendril 6-Bottle Wine Rack. Jan. 10, 2007 [earliest online date], [site visited Apr. 6, 2017]. Available from Internet, <URL:http://www.hayneedle.com/product/climbingtendrilmetalwinerack.cfm>.*

Wayfair. 4 Bottle Wall Mounted Wine Rack. Feb. 17, 2016 [earliest online date], [site visited Apr. 6, 2017]. Available from Internet, <URL:https://www.wayfair.com/4-Bottle-Wall-Mounted-Wine-Rack-JOZ3564.html>.*

Wayfair. 7 Bottle Wall Mounted Wine Rack Oct. 26, 2016 [earliest online date], [site visited Apr. 6, 2017]. Available from Internet, <URL:https://www.wayfair.com/J-and-J-Wire-7-Bottle-Wall-Mounted-Wine-Rack-VVP1021.html>.*

Wayfair. 2 Bottle Wall Mounted Wine Rack Mar. 1, 2016 [earliest online date], [site visited Apr. 6, 2017]. Available from Internet, <URL:https://www.wayfair.com/J-and-J-Wire-2-Bottle-Wall-Mounted-Wine-Rack-VVP1066.html>.*

* cited by examiner

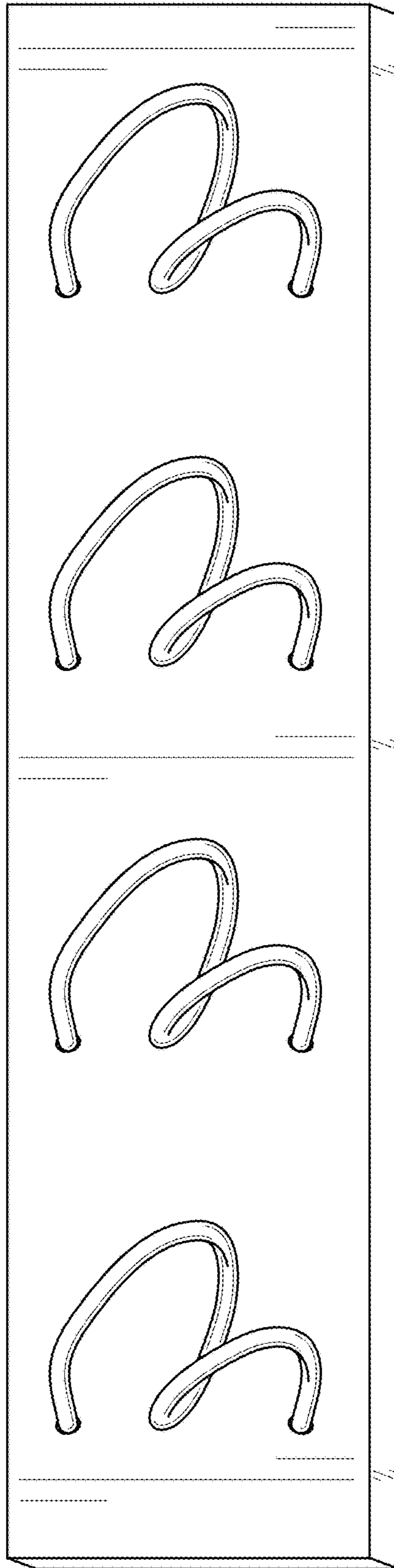


FIG. 1

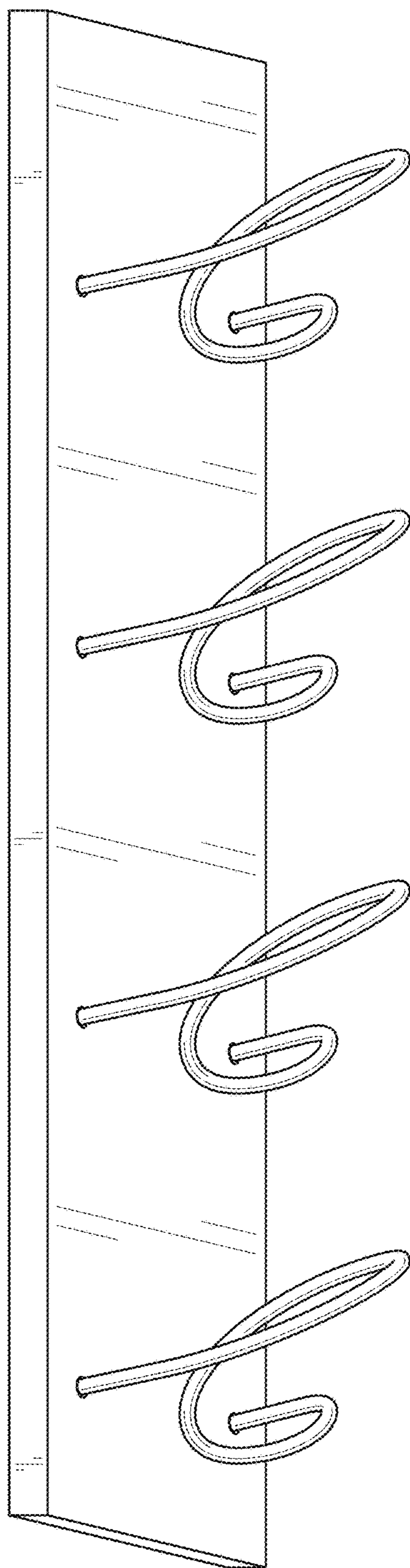


FIG. 2

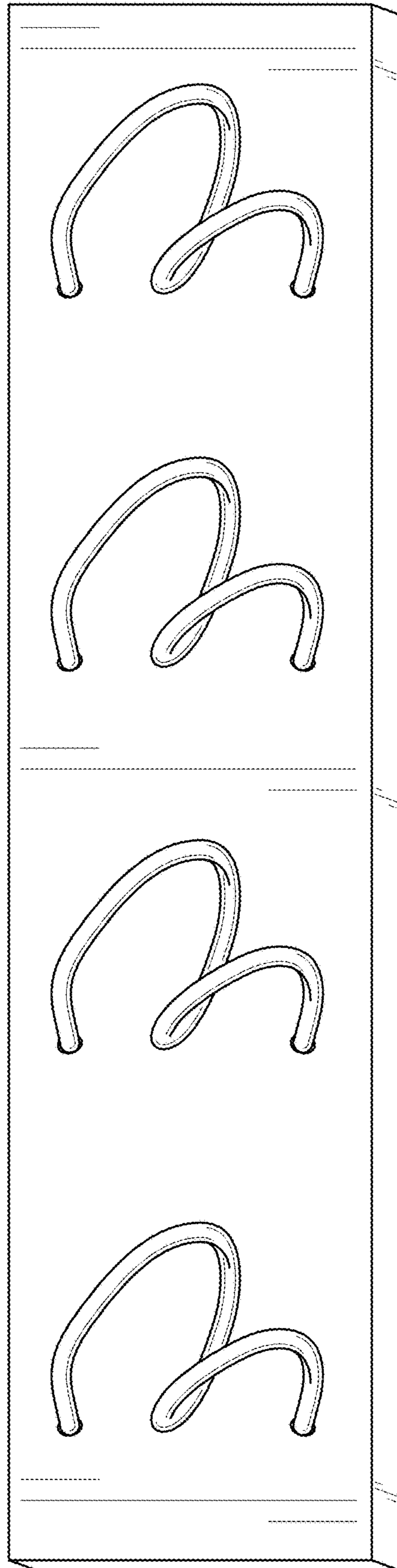


FIG. 3

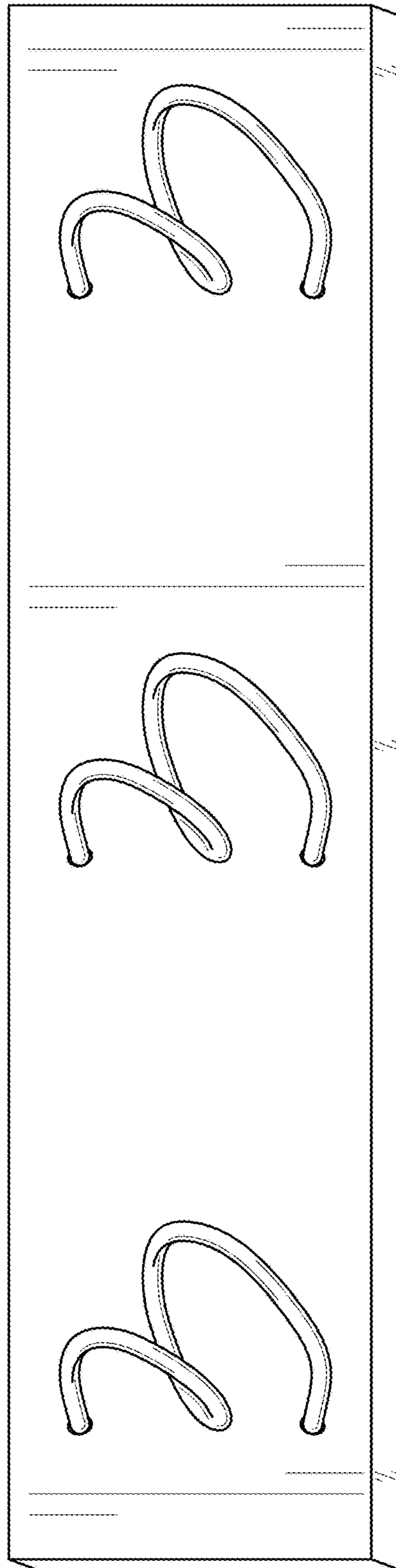


FIG. 4

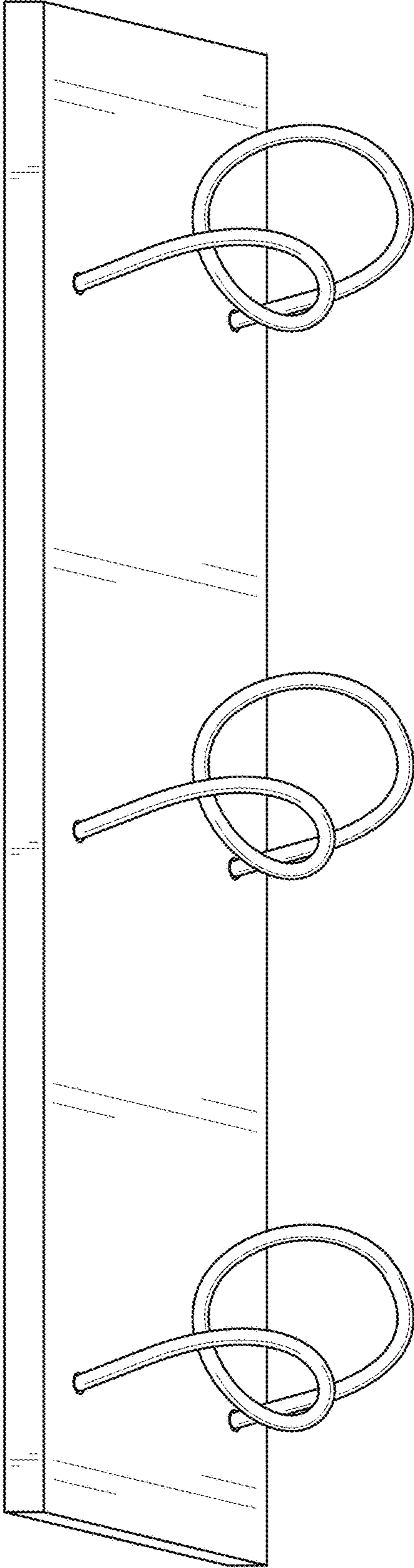


FIG. 5

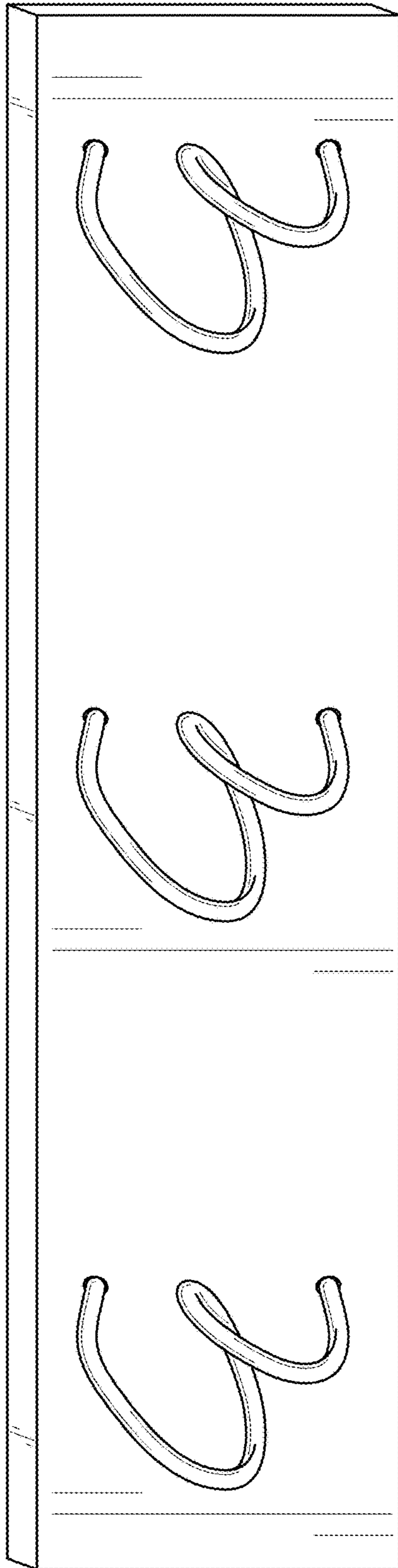


FIG. 6

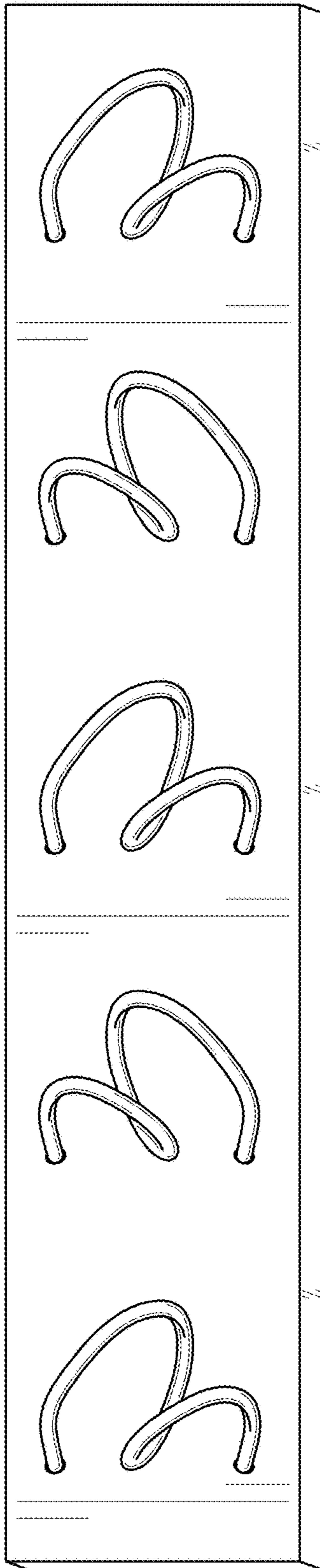


FIG. 7

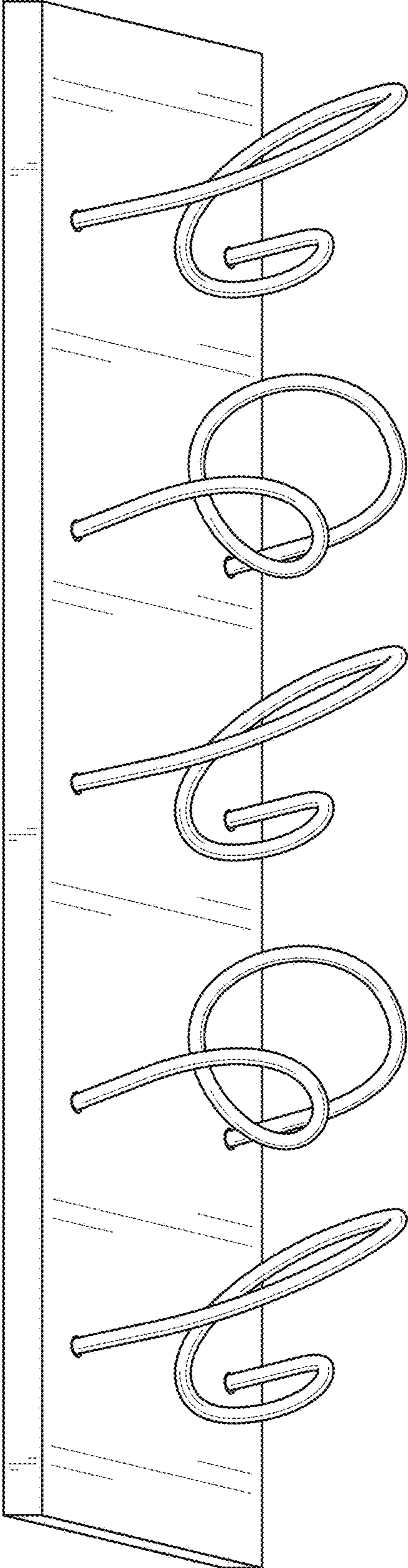


FIG. 8

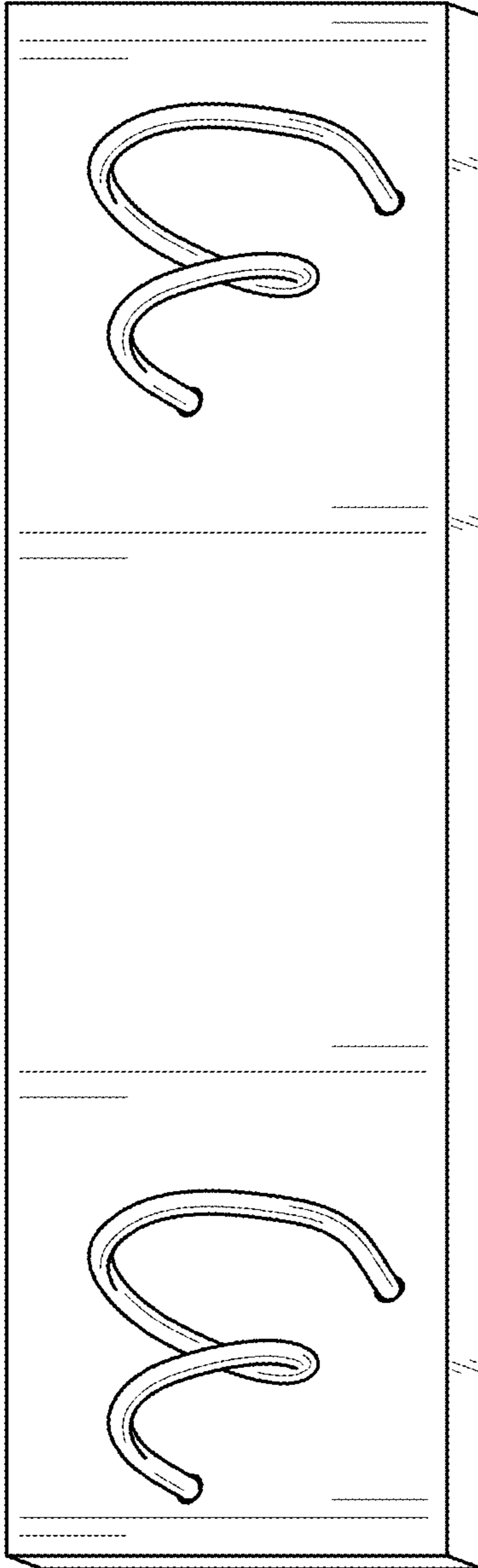


FIG. 9

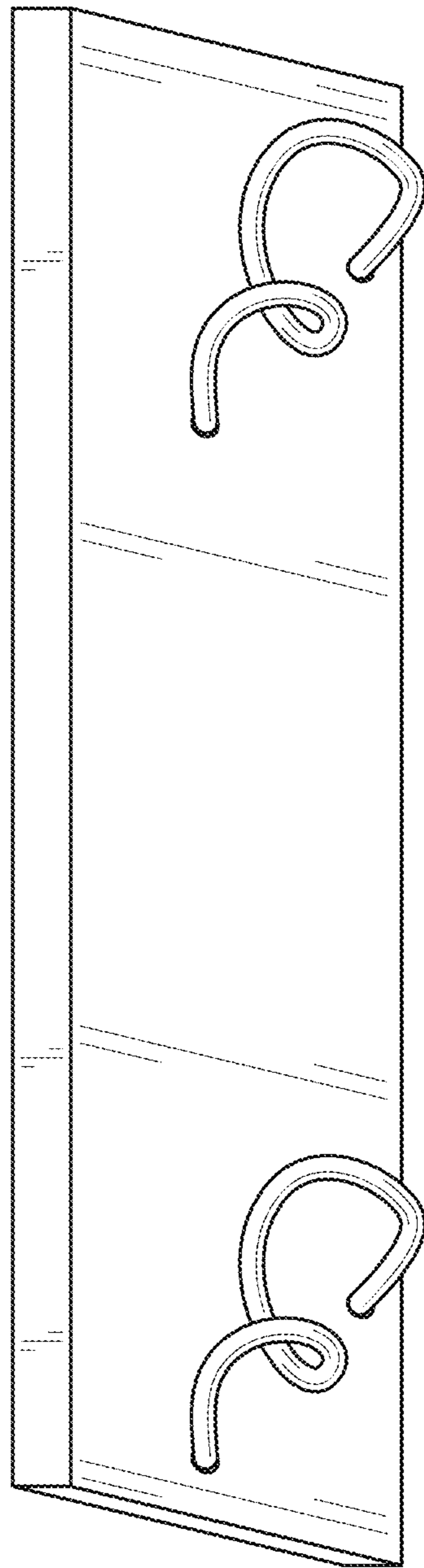


FIG. 10

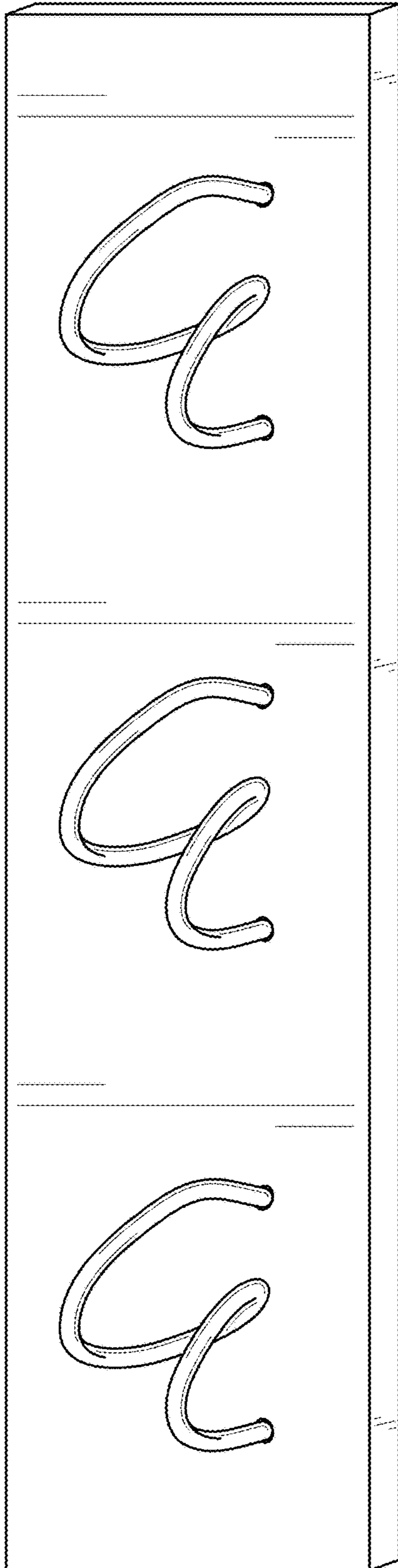


FIG. 11

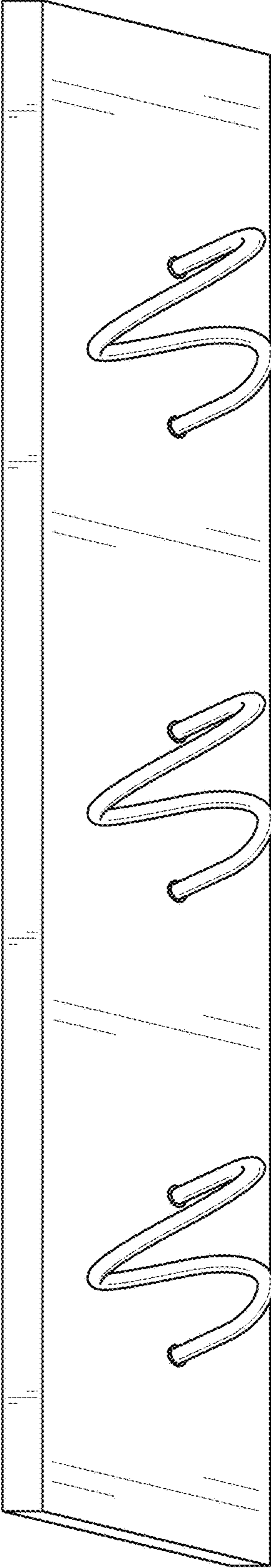


FIG. 12