



US00D789755S

(12) **United States Design Patent**
Morrow, Sr.

(10) **Patent No.:** **US D789,755 S**

(45) **Date of Patent:** **** Jun. 20, 2017**

(54) **TURKEY LEG STORAGE CONTAINER**

(58) **Field of Classification Search**
USPC D7/628, 506, 571; D9/643, 601-603
See application file for complete search history.

(71) Applicant: **Kennedy L. Morrow, Sr.**, Missouri
City, TX (US)

(56) **References Cited**

U.S. PATENT DOCUMENTS

(72) Inventor: **Kennedy L. Morrow, Sr.**, Missouri
City, TX (US)

D479,953 S * 9/2003 Stremple D7/628
D604,116 S * 11/2009 Braidotti D7/628
D666,459 S * 9/2012 Kolano D7/628
D672,207 S * 12/2012 Ehrenhaus D7/628

* cited by examiner

(73) Assignee: **Kennedy L. Morrow, Sr.**, Missouri
City, TX (US)

Primary Examiner — Terry Wallace

(**) Term: **15 Years**

(57) **CLAIM**

The ornamental design for a turkey leg storage container, as shown.

(21) Appl. No.: **29/536,971**

DESCRIPTION

(22) Filed: **Aug. 20, 2015**

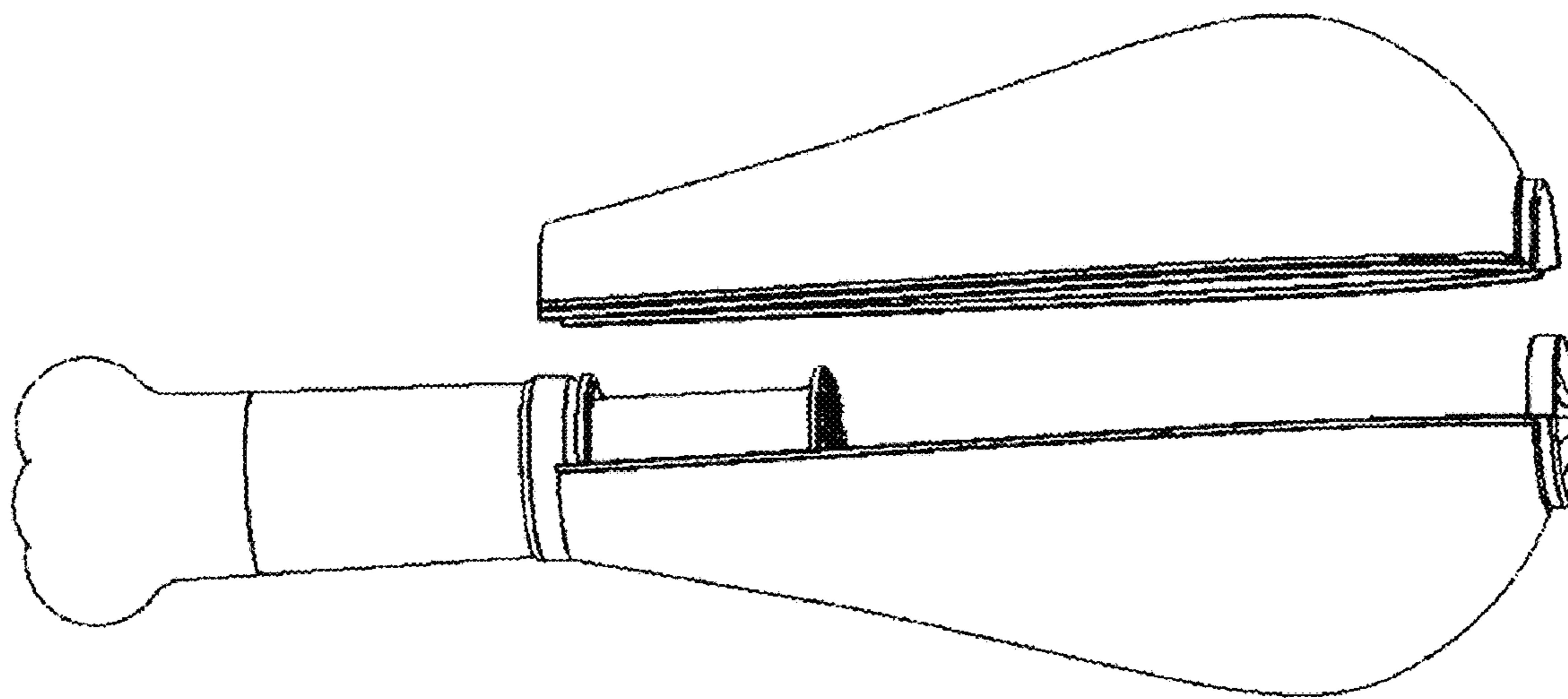
FIG. 1 is an exploded perspective view of a turkey leg storage container showing my new design.
FIG. 2 is a perspective view thereof.
FIG. 3 is a side view thereof.
FIG. 4 is an alternate side view thereof.
FIG. 5 is a front view thereof.
FIG. 6 is a left side view thereof; and,
FIG. 7 is a perspective view thereof.

(51) **LOC (10) Cl.** **07-07**

(52) **U.S. Cl.**

USPC **D7/628**

1 Claim, 4 Drawing Sheets



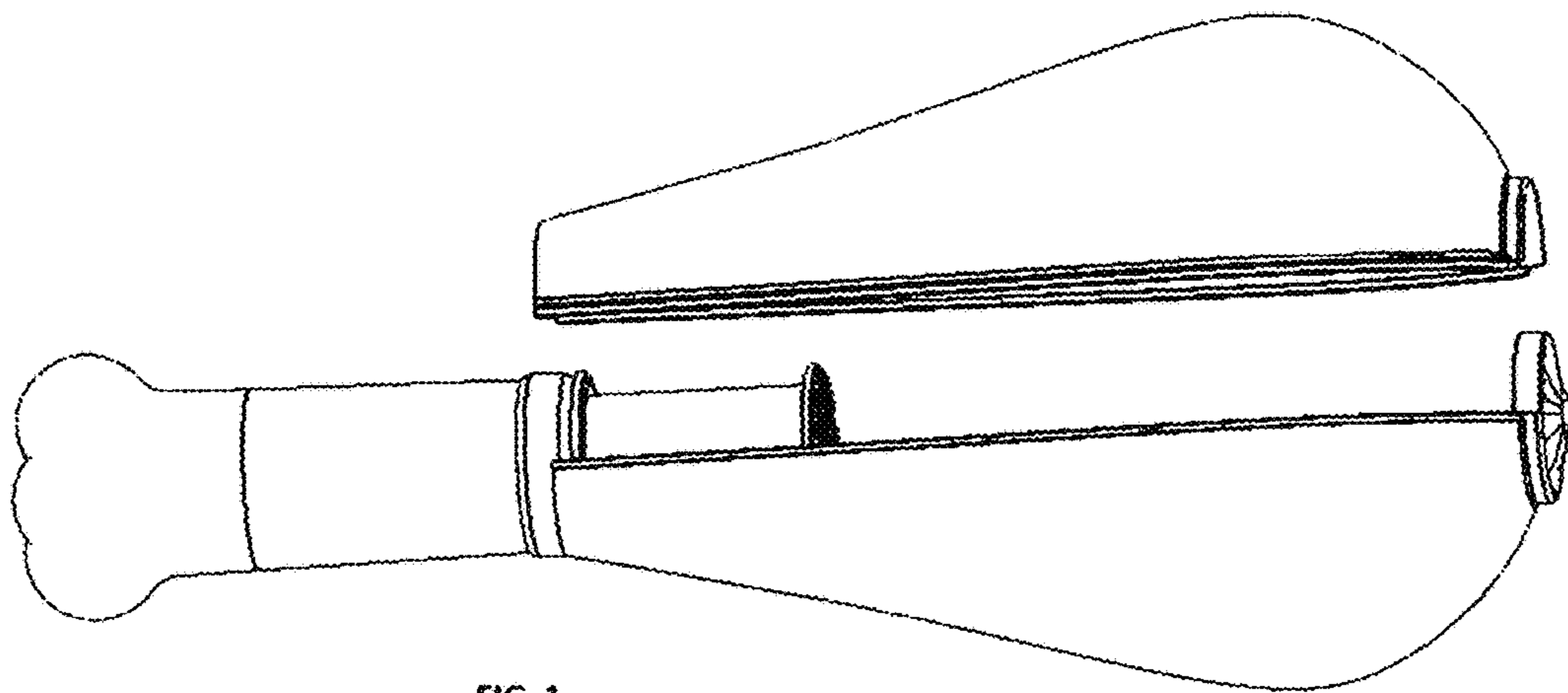


FIG. 1

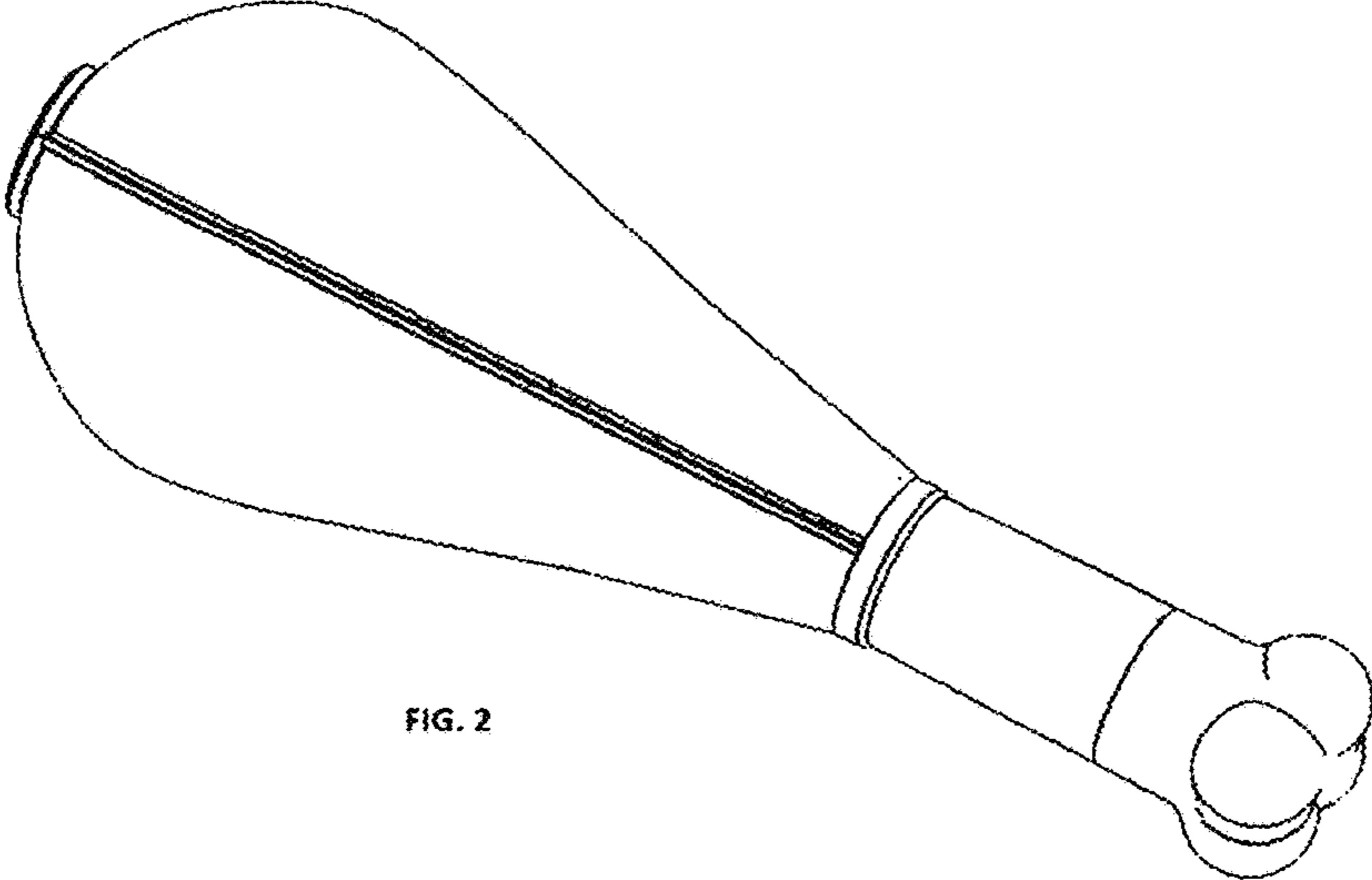


FIG. 2

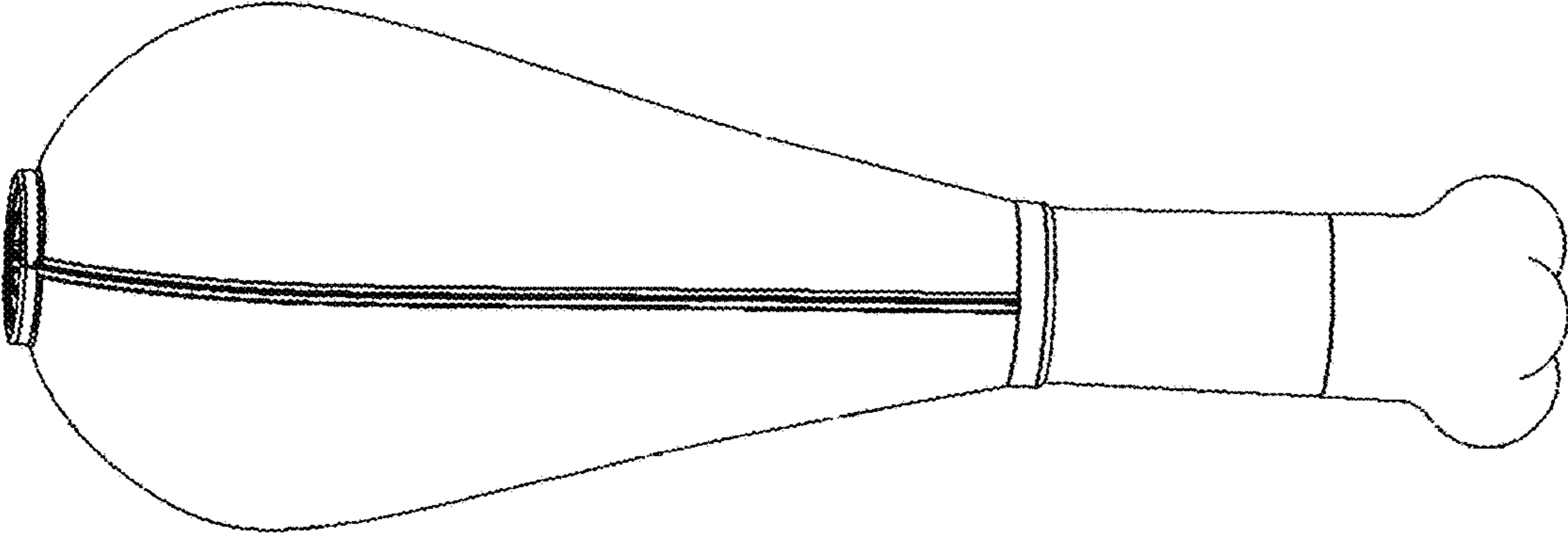


FIG. 3

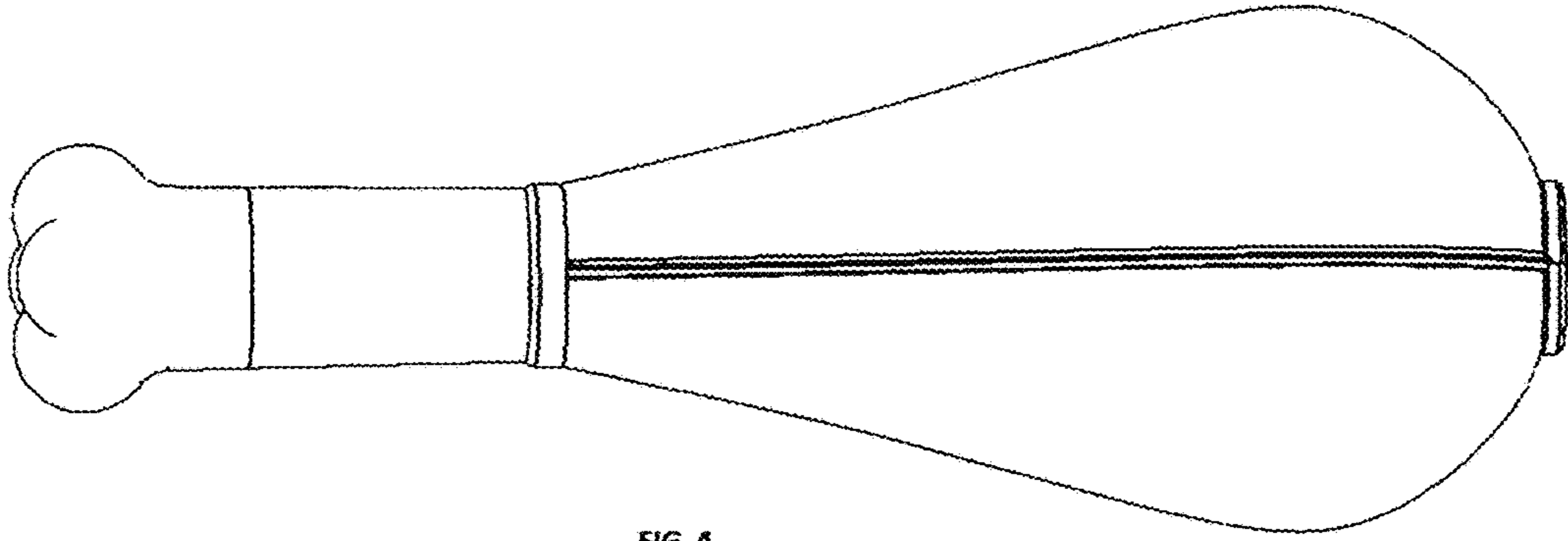


FIG. 4

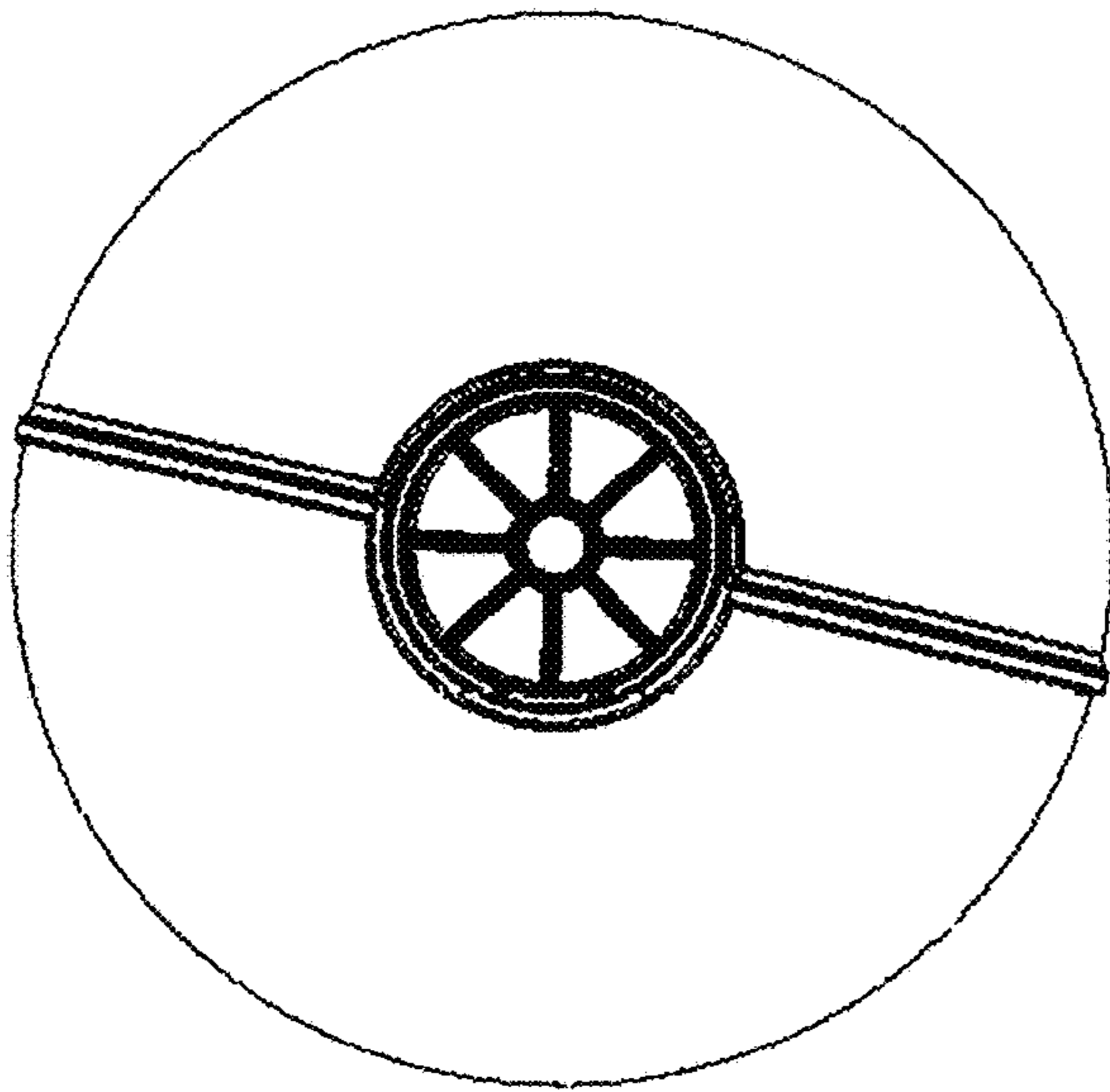


FIG. 5

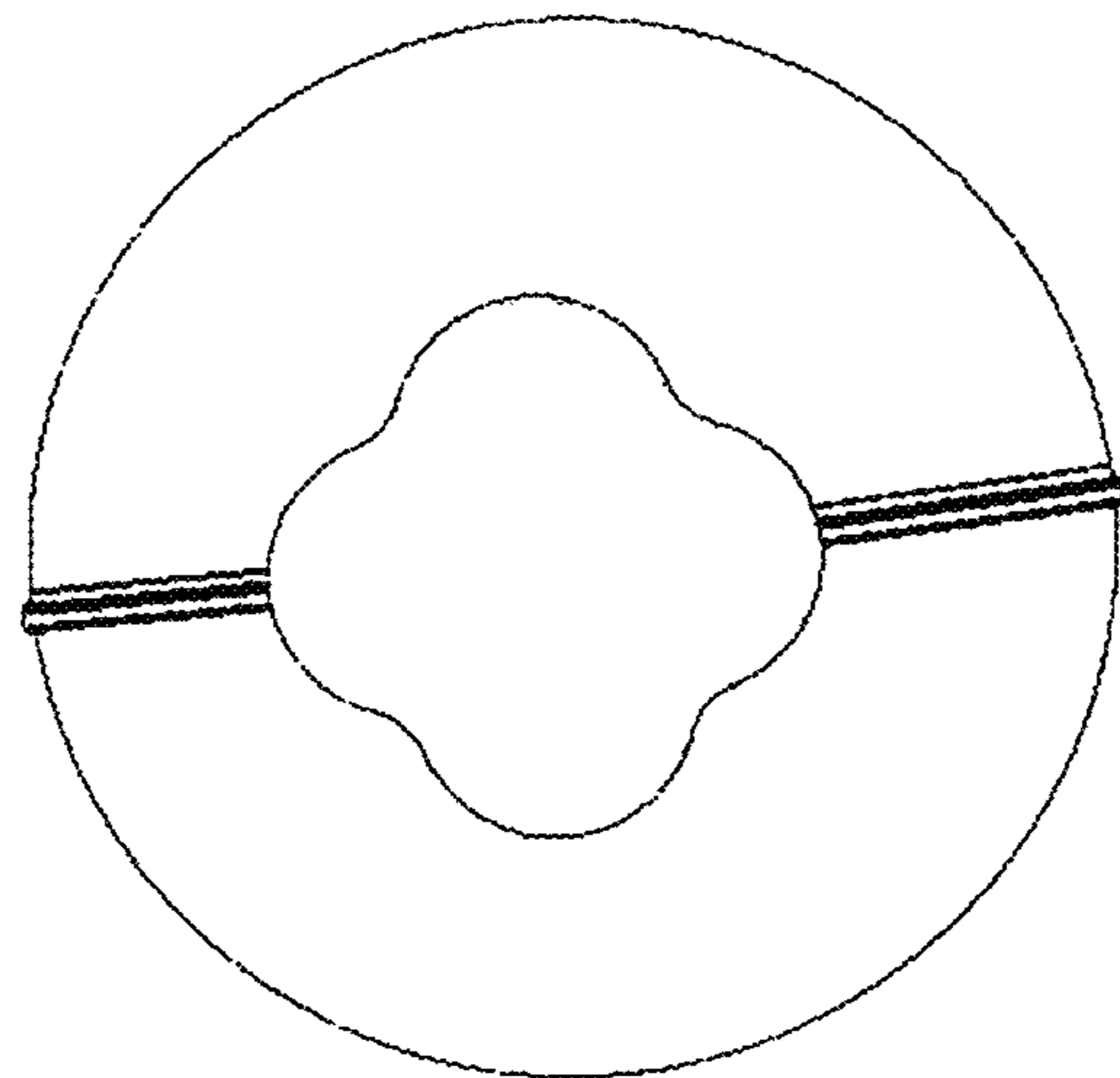


FIG. 6

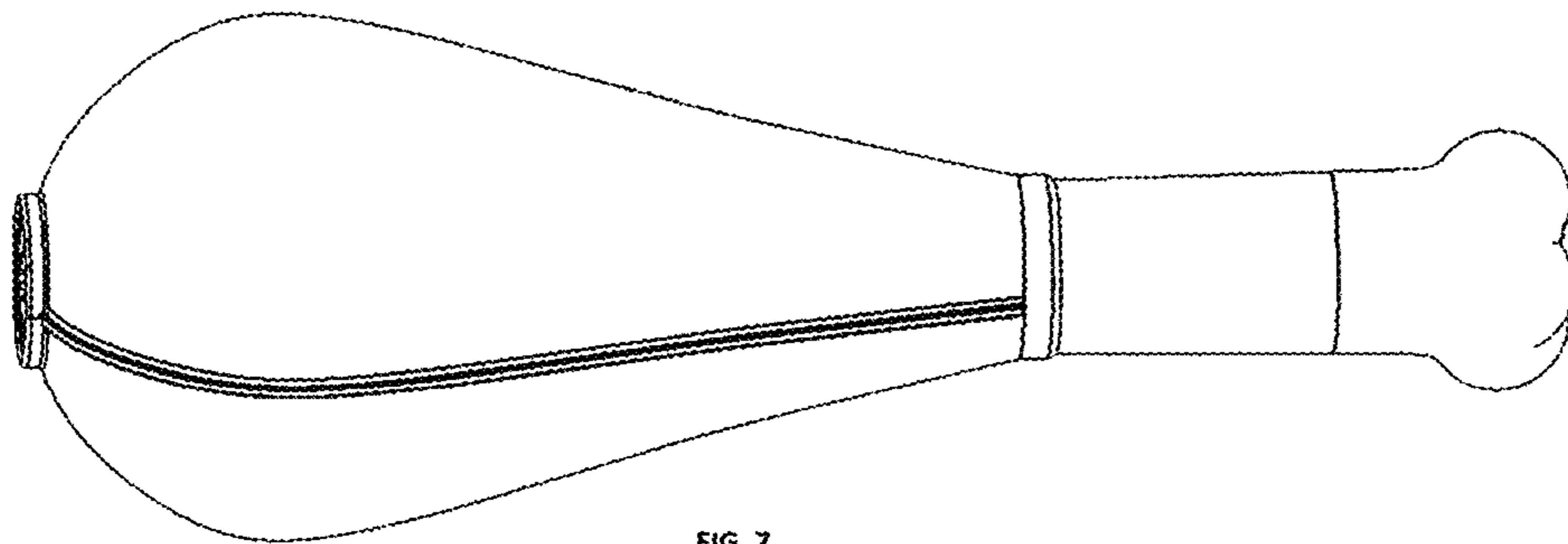


FIG. 7