



US00D789754S

(12) **United States Design Patent**
Allan

(10) **Patent No.:** **US D789,754 S**
(45) **Date of Patent:** **** Jun. 20, 2017**

(54) **DRINK HOLDER**

(71) Applicant: **Kenneth Allan**, Menomonee Falls, WI
(US)

(72) Inventor: **Kenneth Allan**, Menomonee Falls, WI
(US)

(**) Term: **15 Years**

(21) Appl. No.: **29/543,018**

(22) Filed: **Oct. 20, 2015**

(51) **LOC (10) Cl.** **07-06**

(52) **U.S. Cl.**
USPC **D7/619.1**

(58) **Field of Classification Search**
USPC D7/507, 601, 602, 607, 608, 619.1,
D7/624.1-624.3, 701, 703, 708; D3/202;
211/41.2, 57.1, 59.2, 66, 74, 94.01, 181.1,
211/189; 248/220.41, 303, 312.1;
D9/711
CPC A47B 55/00; A47B 55/02; A47B 73/00;
A47B 73/002; A47B 73/004; A47B
73/006; A47B 73/008; A47B 69/00;
A47G 23/0266; A47J 47/16
See application file for complete search history.

(56) **References Cited**

U.S. PATENT DOCUMENTS

5,419,455 A * 5/1995 Russeau A47G 19/06
206/562
D392,514 S * 3/1998 Steinfels D7/624.1

D514,896 S * 2/2006 Wickenhauser D7/619.1
D645,308 S * 9/2011 Palmby D7/624.1
D730,700 S * 6/2015 Gunal D7/624.1
D734,993 S * 7/2015 Marina D7/624.1

* cited by examiner

Primary Examiner — Keli L Hill

(74) *Attorney, Agent, or Firm* — Ziolkowski Patent
Solutions Group, SC

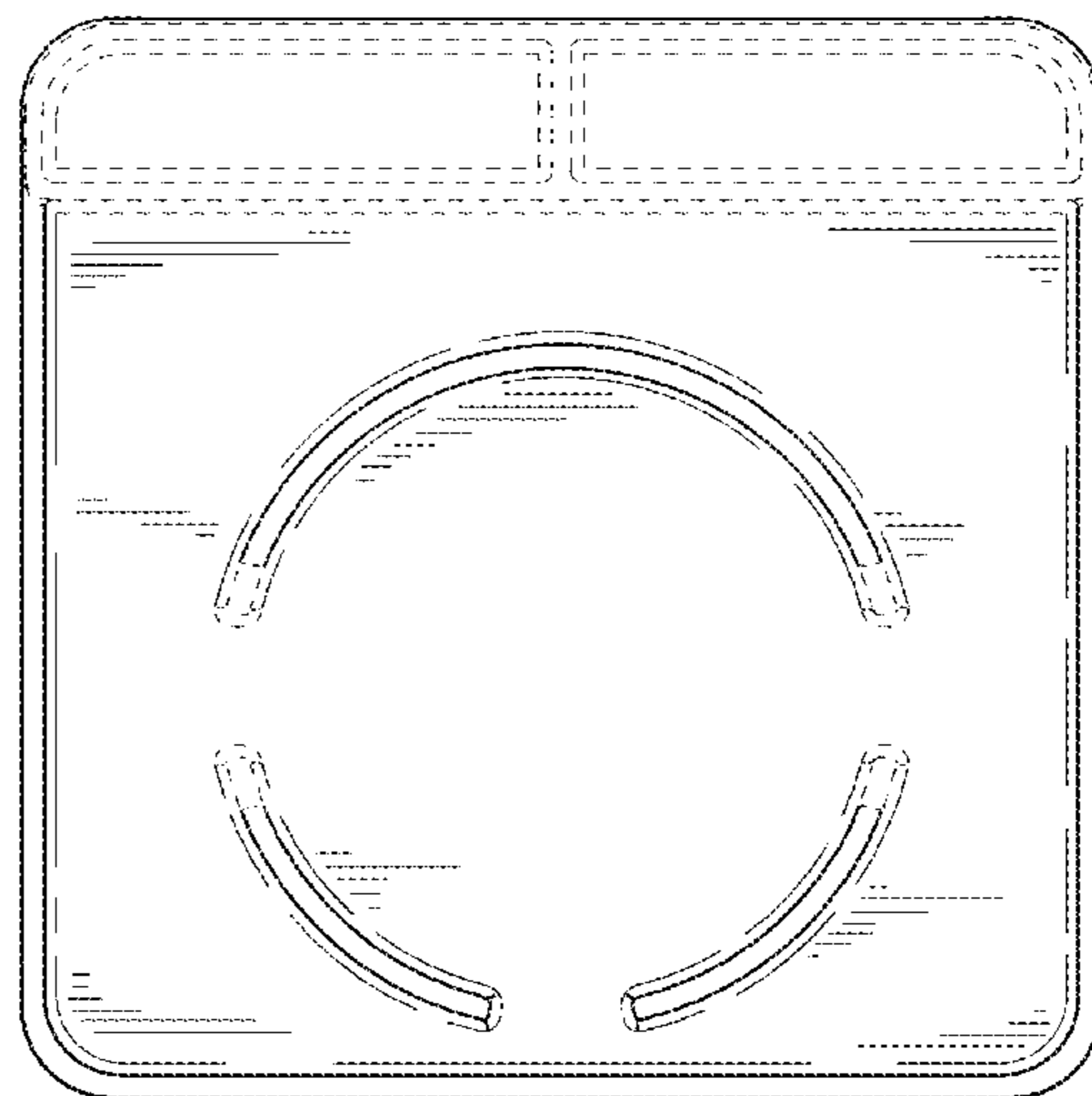
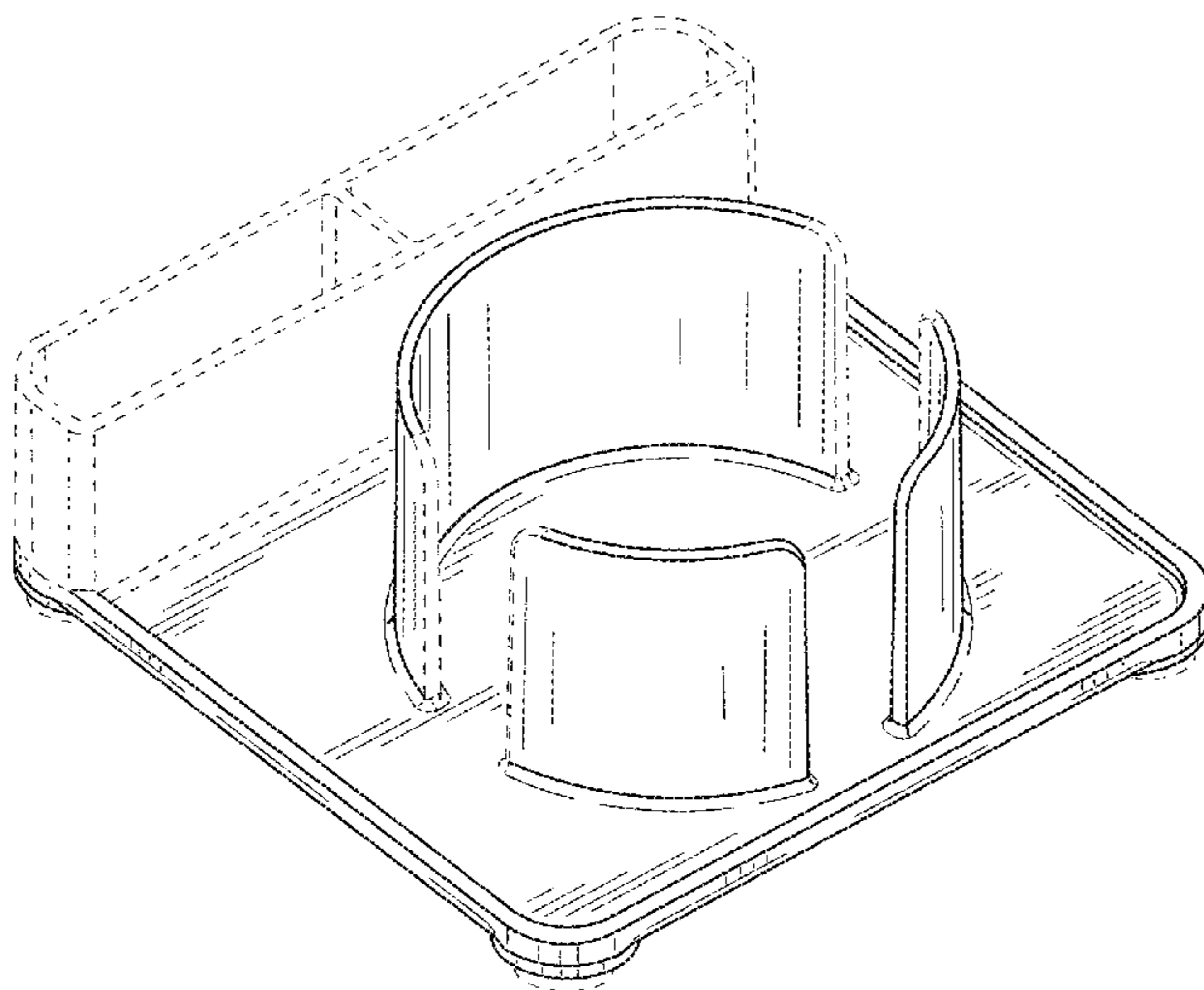
(57) **CLAIM**

The ornamental design for a drink holder, as shown and
described.

DESCRIPTION

FIG. 1 is a perspective view of a drink holder in accordance
with an embodiment of the present invention.
FIG. 2 is a top view thereof;
FIG. 3 is a bottom view thereof;
FIG. 4 is a front elevational view thereof;
FIG. 5 is a side elevational view thereof; and,
FIG. 6 is a rear elevational view thereof.
The broken lines shown are included for the purpose of
illustrating portions of the drink holder that form no part of
the claim.

1 Claim, 4 Drawing Sheets



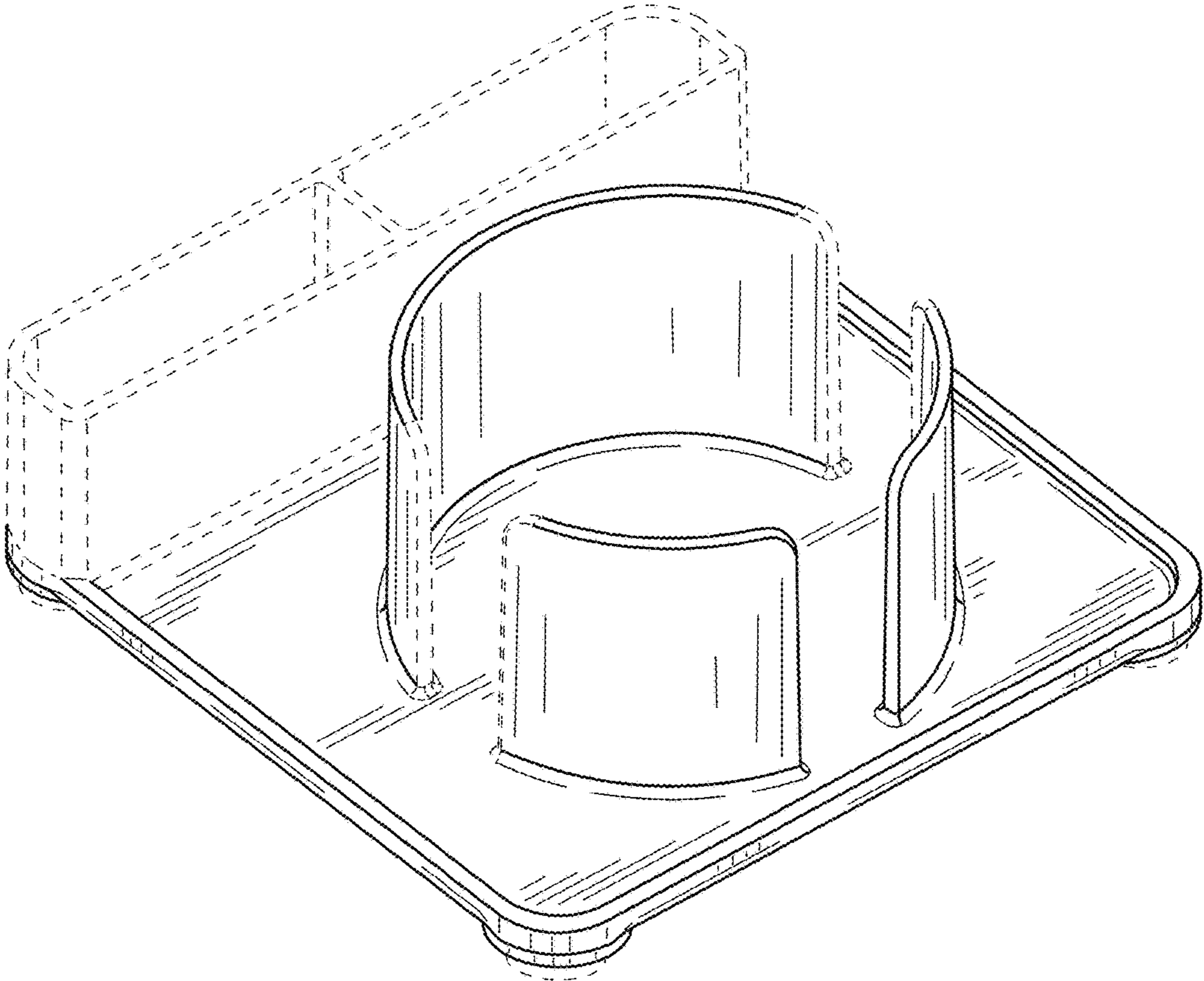


FIG. 1

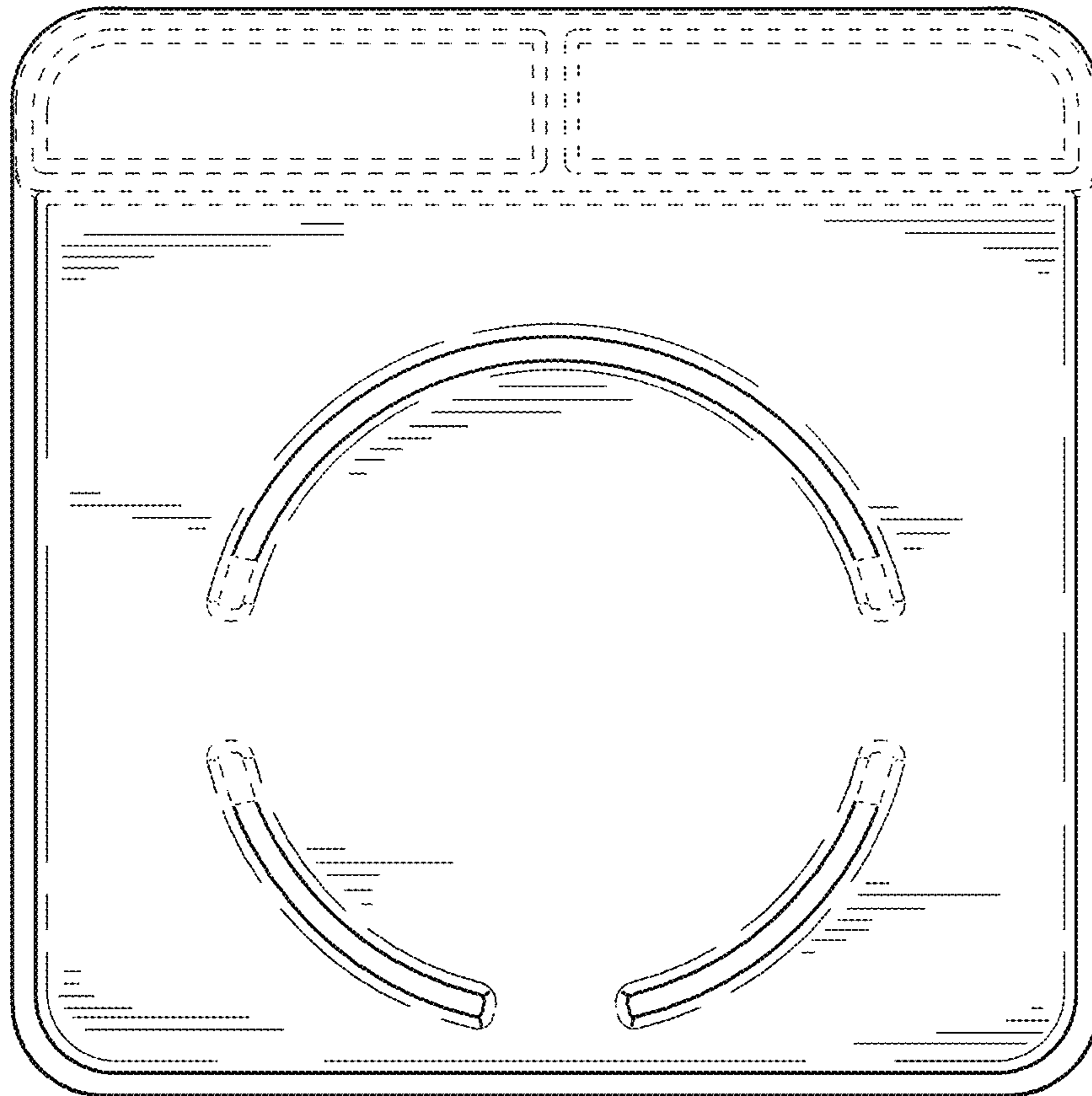


FIG. 2

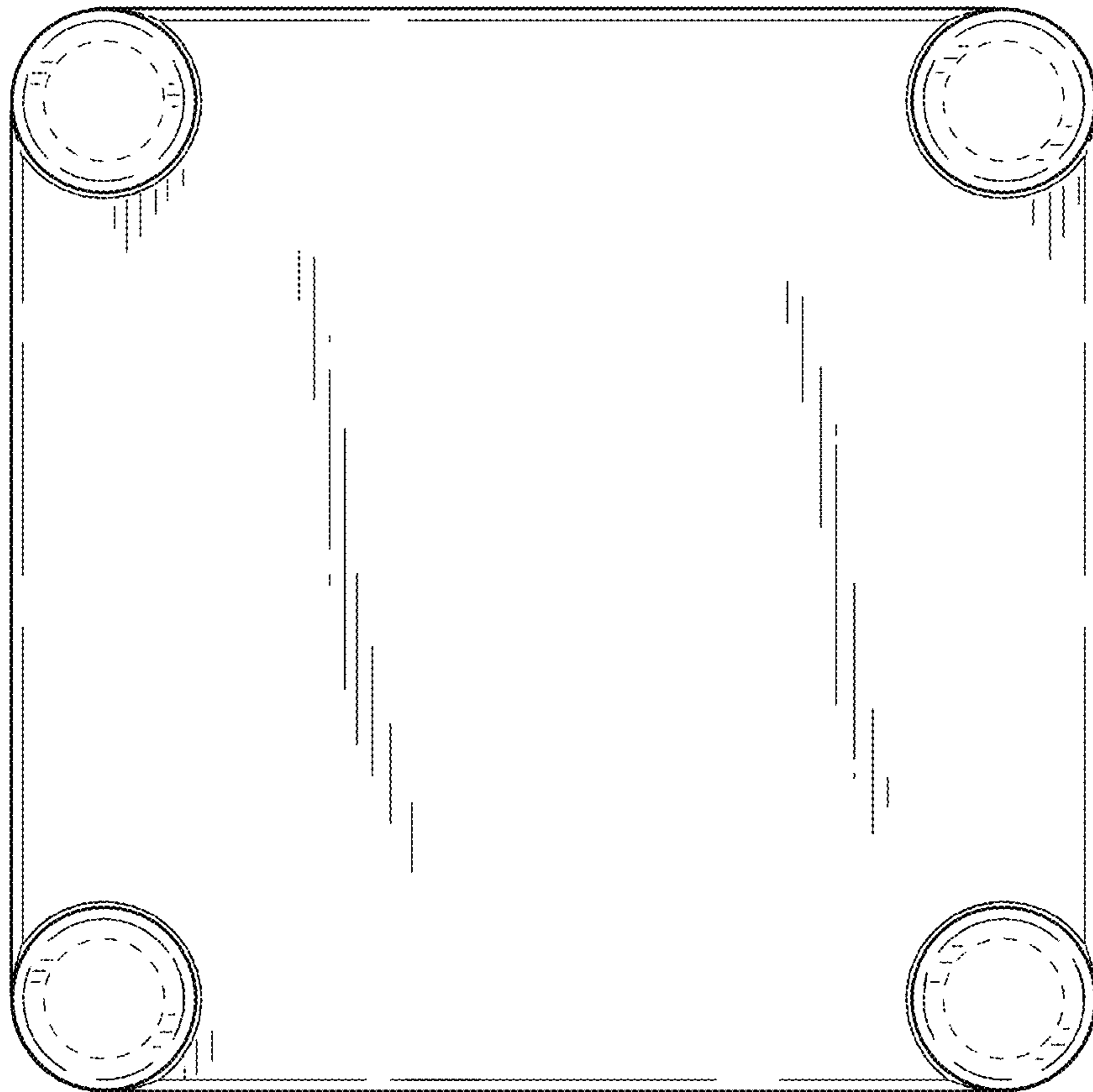


FIG. 3

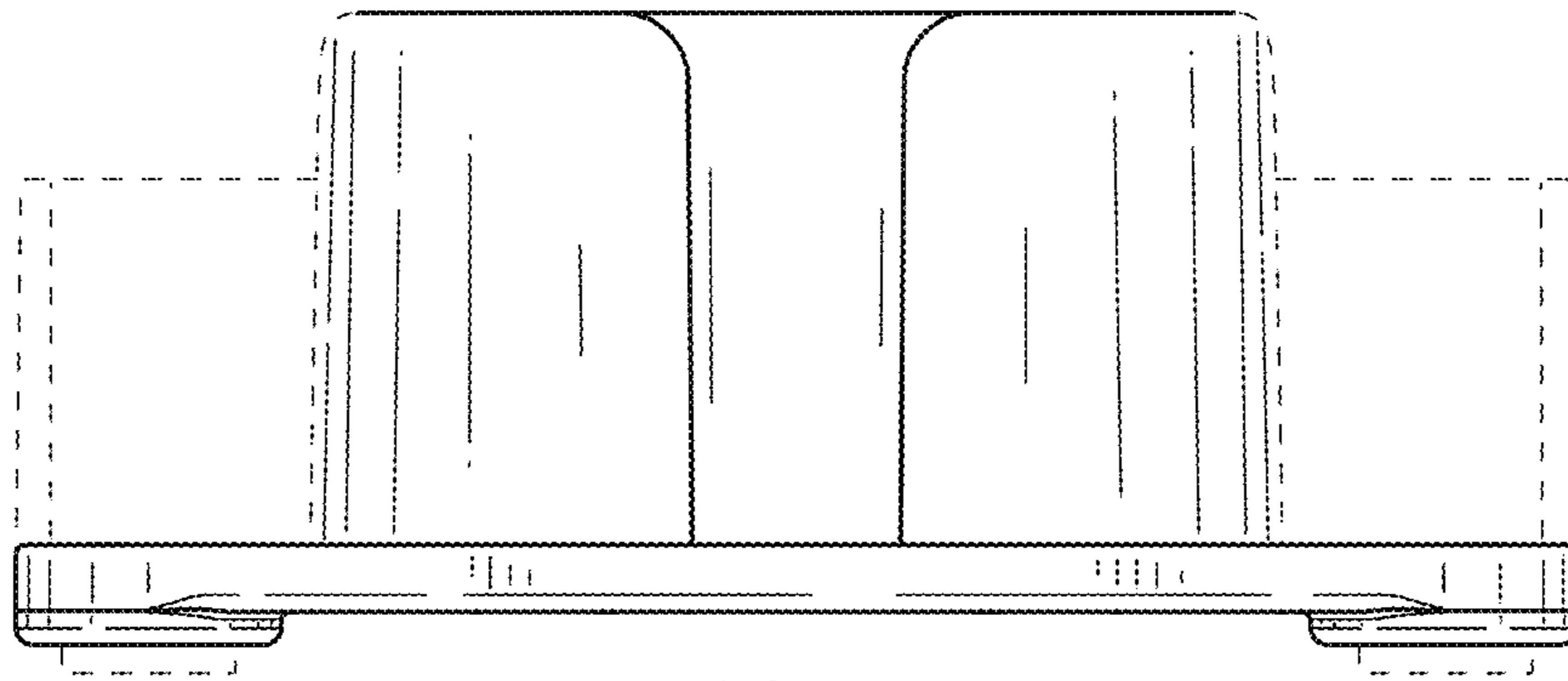


FIG. 4

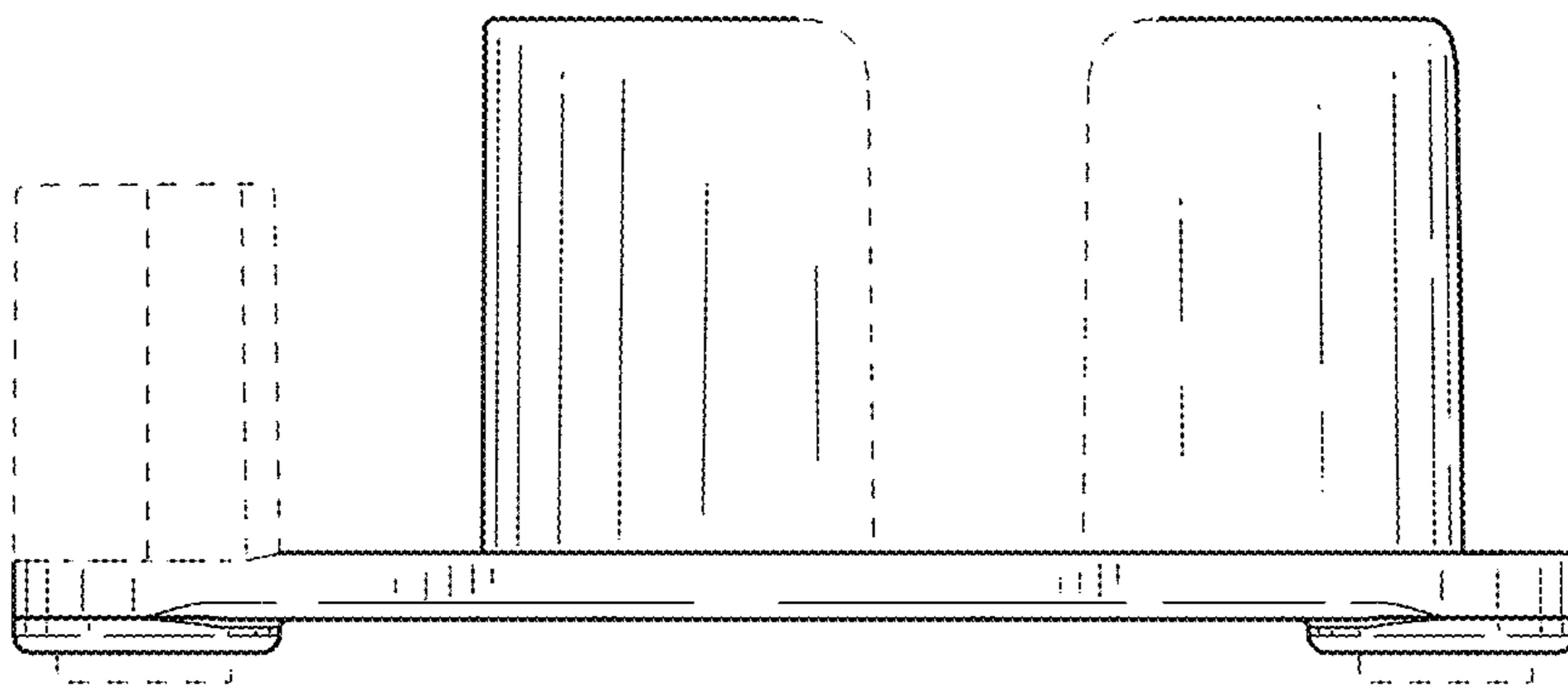


FIG. 5

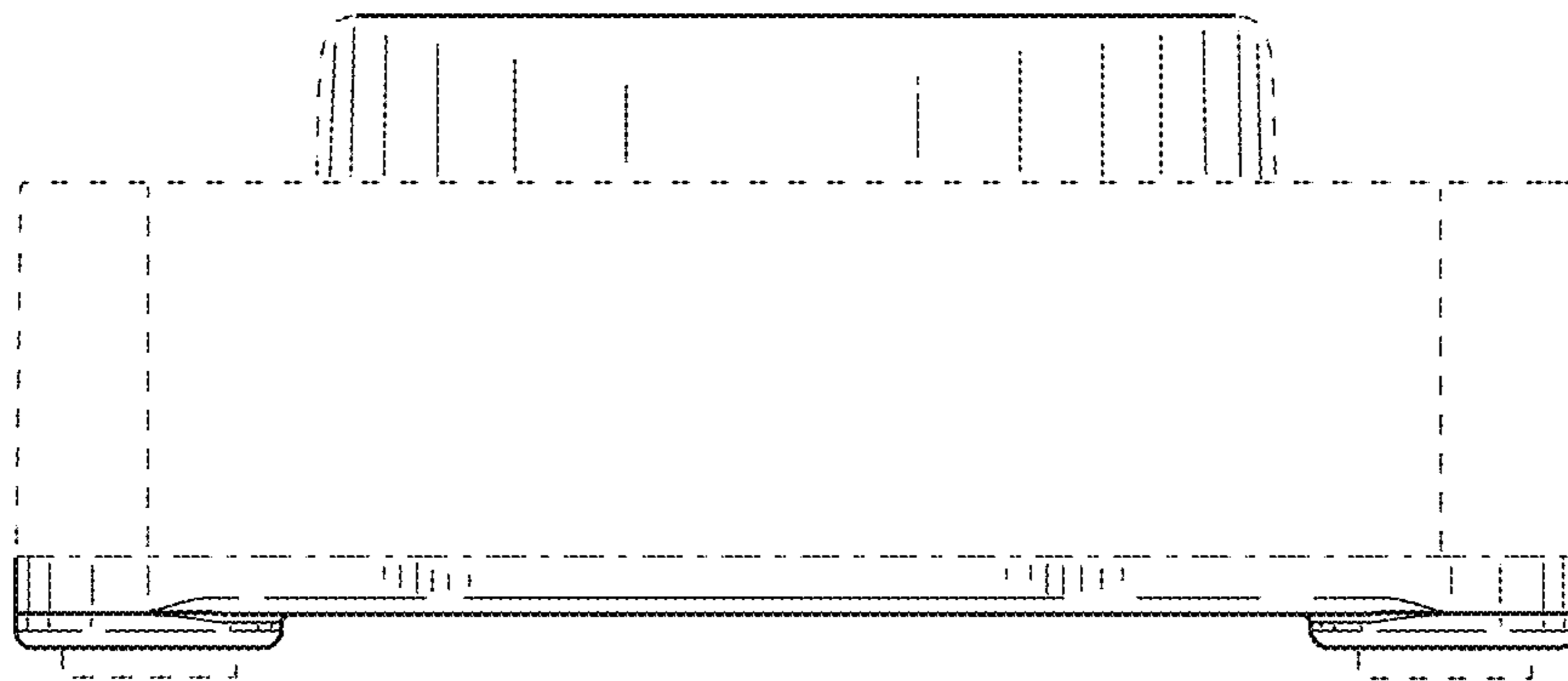


FIG. 6