



US00D789752S

(12) **United States Design Patent** (10) **Patent No.:** **US D789,752 S**
Zmrhal et al. (45) **Date of Patent:** **** Jun. 20, 2017**

(54) **WARMING SLEEVE**
(71) Applicant: **Columbia Insurance Company,**
Omaha, NE (US)
(72) Inventors: **Jill Dora Zmrhal,** Elmhurst, IL (US);
Yvonne Lee VanderHorst-Busdeker,
Woodridge, IL (US)
(73) Assignee: **COLUMBIA INSURANCE**
COMPANY, Omaha, NE (US)
(**) Term: **15 Years**
(21) Appl. No.: **29/532,211**
(22) Filed: **Jul. 2, 2015**
(51) **LOC (10) Cl.** **07-01**
(52) **U.S. Cl.**
USPC **D7/607; D7/601**
(58) **Field of Classification Search**
USPC **D7/607, 601, 387, 392.1, 391; D6/610;**
D29/118, 119
CPC **A45C 7/0077; A45C 11/20; A45C 13/02;**
A45C 7/0059; A47J 45/10; A47J 47/16
See application file for complete search history.

(56) **References Cited**
U.S. PATENT DOCUMENTS
3,507,312 A * 4/1970 Petersen A47J 45/10
206/457
D262,177 S * 12/1981 Swan D7/607
4,413,851 A 11/1983 Ritter
4,510,665 A 4/1985 Scheurer
D370,599 S * 6/1996 Christopher D3/287
D388,663 S 1/1998 Rausch
(Continued)

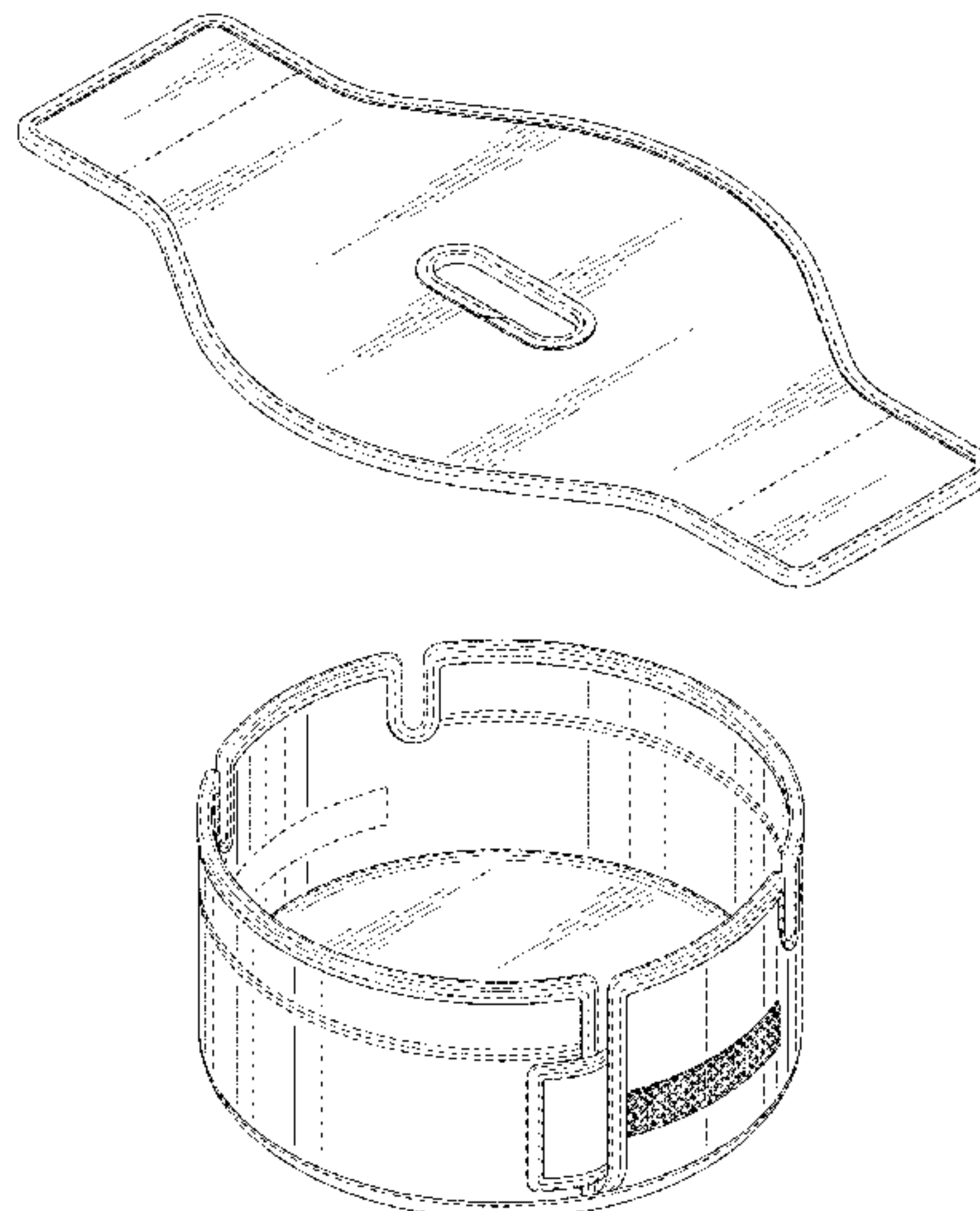
OTHER PUBLICATIONS
U.S. Appl. No. 29/532,216, filed Jul. 2, 2015; title: Warming Sleeve;
Inventor(s): Zmrhal et al.

Primary Examiner — Terry Wallace
(74) *Attorney, Agent, or Firm* — Thompson Coburn LLP;
Matthew Himich

(57) **CLAIM**
The ornamental design for a warming sleeve, as shown and described.

DESCRIPTION
FIG. 1 is a front, right side perspective of the warming sleeve showing our new design, with the upper portion secured to the lower portion, and shown as used with an exemplary pan;
FIG. 2 is an exploded front, right side perspective of the warming sleeve showing the upper portion and the lower portion thereof;
FIG. 3 is a top view of the lower portion of the warming sleeve;
FIG. 4 is a bottom view of the lower portion of the warming sleeve;
FIG. 5 is a right side elevational view of the lower portion of the warming sleeve;
FIG. 6 is a left side elevational view of the lower portion of the warming sleeve;
FIG. 7 is a front side elevational view of the lower portion of the warming sleeve;
FIG. 8 is a back side elevational view of the lower portion of the warming sleeve;
FIG. 9 is a bottom plan view of the upper portion of the warming sleeve;
FIG. 10 is a top plan view of the upper portion of the warming sleeve;
FIG. 11 is a first side elevational view of the upper portion of the warming sleeve, the opposite side being identical thereto; and,
FIG. 12 is an end elevational view of the upper portion of the warming sleeve, the opposite end view being identical thereto.
The broken lines are for the purpose of illustrating environment, and form no part of the claimed design.

1 Claim, 11 Drawing Sheets



(56)

References Cited

U.S. PATENT DOCUMENTS

D415,390 S 10/1999 Winnington-Ingram
D466,373 S 12/2002 Haskins et al.
D477,178 S 7/2003 Cornfield
7,103,944 B2 9/2006 Johnson
7,153,025 B1 * 12/2006 Jackson A45C 7/0059
224/246
7,395,943 B2 7/2008 Karlsson
D583,629 S * 12/2008 Sgrillo D7/607
D605,900 S * 12/2009 Bodum D7/387
D649,395 S 11/2011 Gehring
D676,281 S * 2/2013 Mullen D7/601
D677,985 S * 3/2013 Lucas D7/392.1
D679,542 S 4/2013 Lion et al.
D708,472 S 7/2014 Landers
2007/0053618 A1 * 3/2007 Schoening A47J 47/16
383/110
2007/0221693 A1 9/2007 Moore
2012/0181211 A1 * 7/2012 Charlebois A45C 11/20
206/549
2014/0023295 A1 * 1/2014 Wagner A45C 7/0077
383/4
2014/0339240 A1 11/2014 Moore

* cited by examiner

FIG. 1

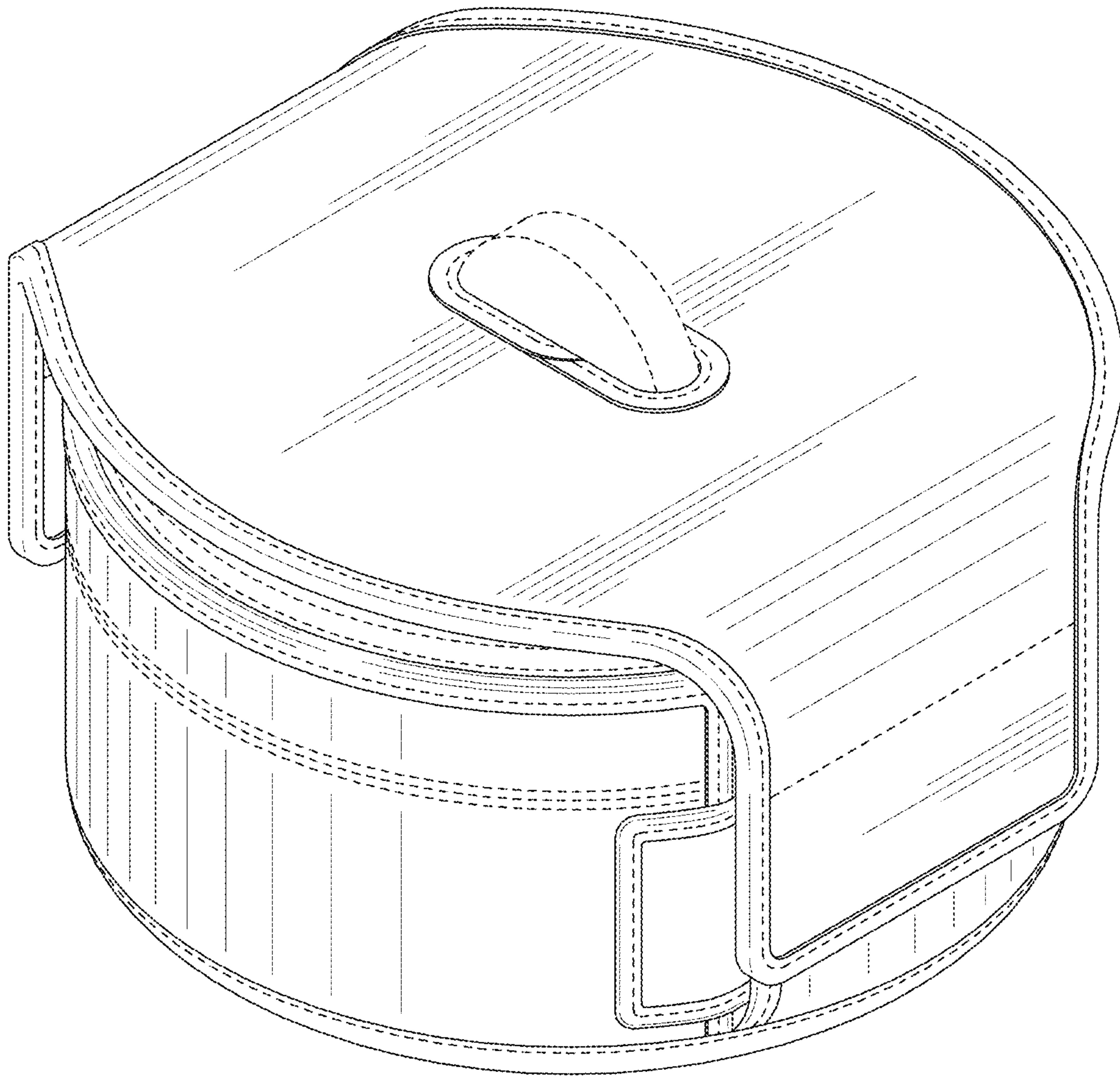
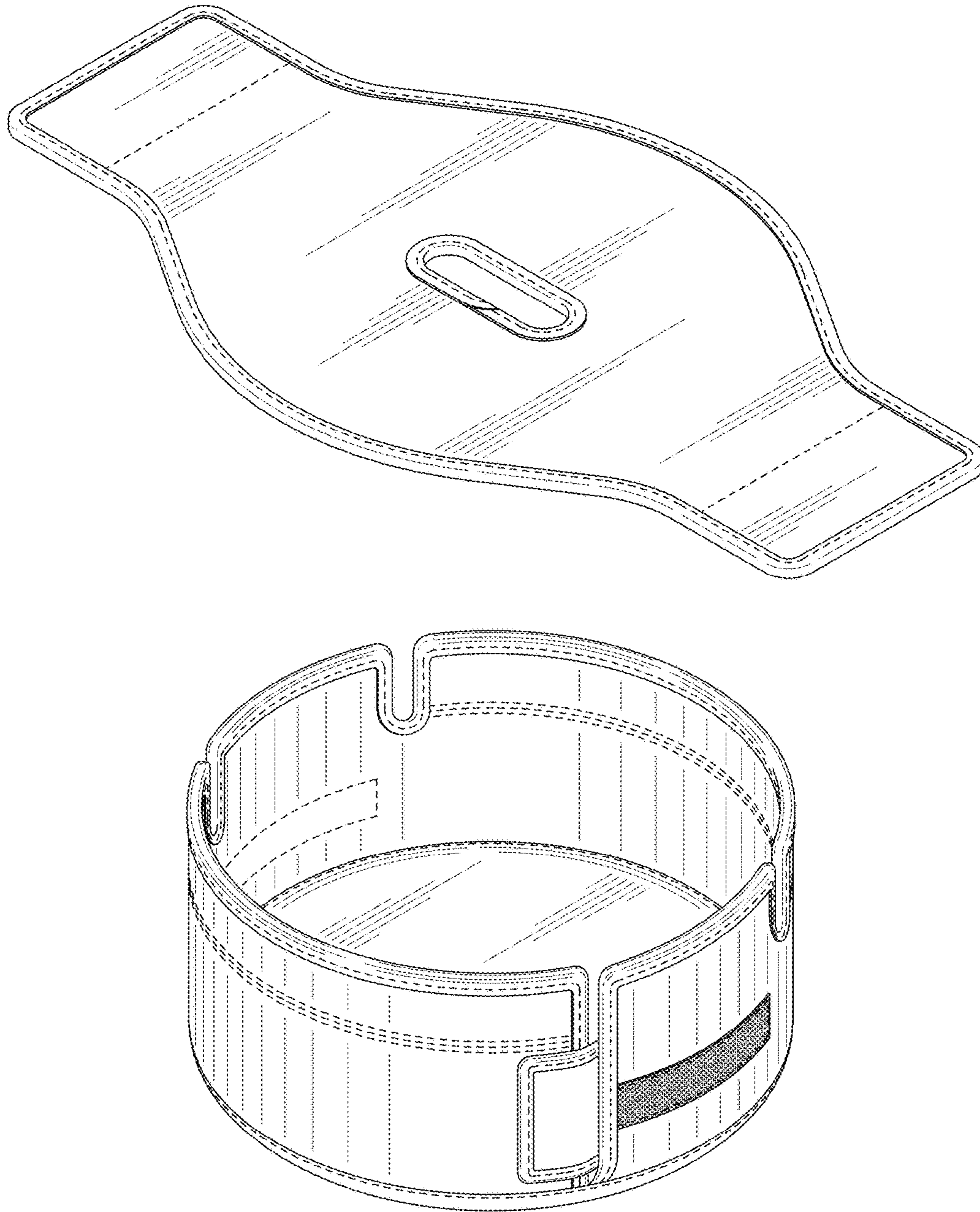


FIG. 2



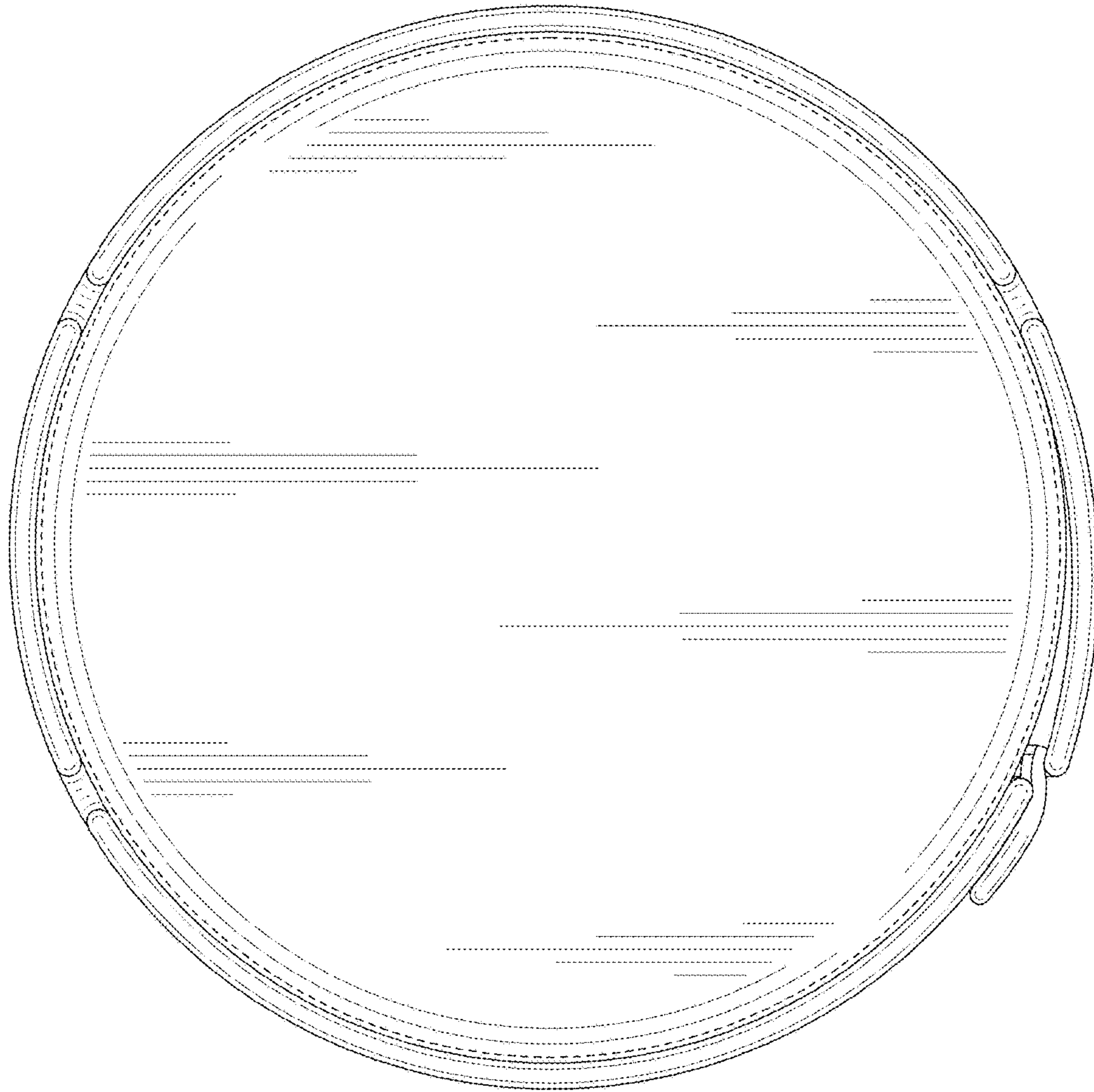


FIG. 3

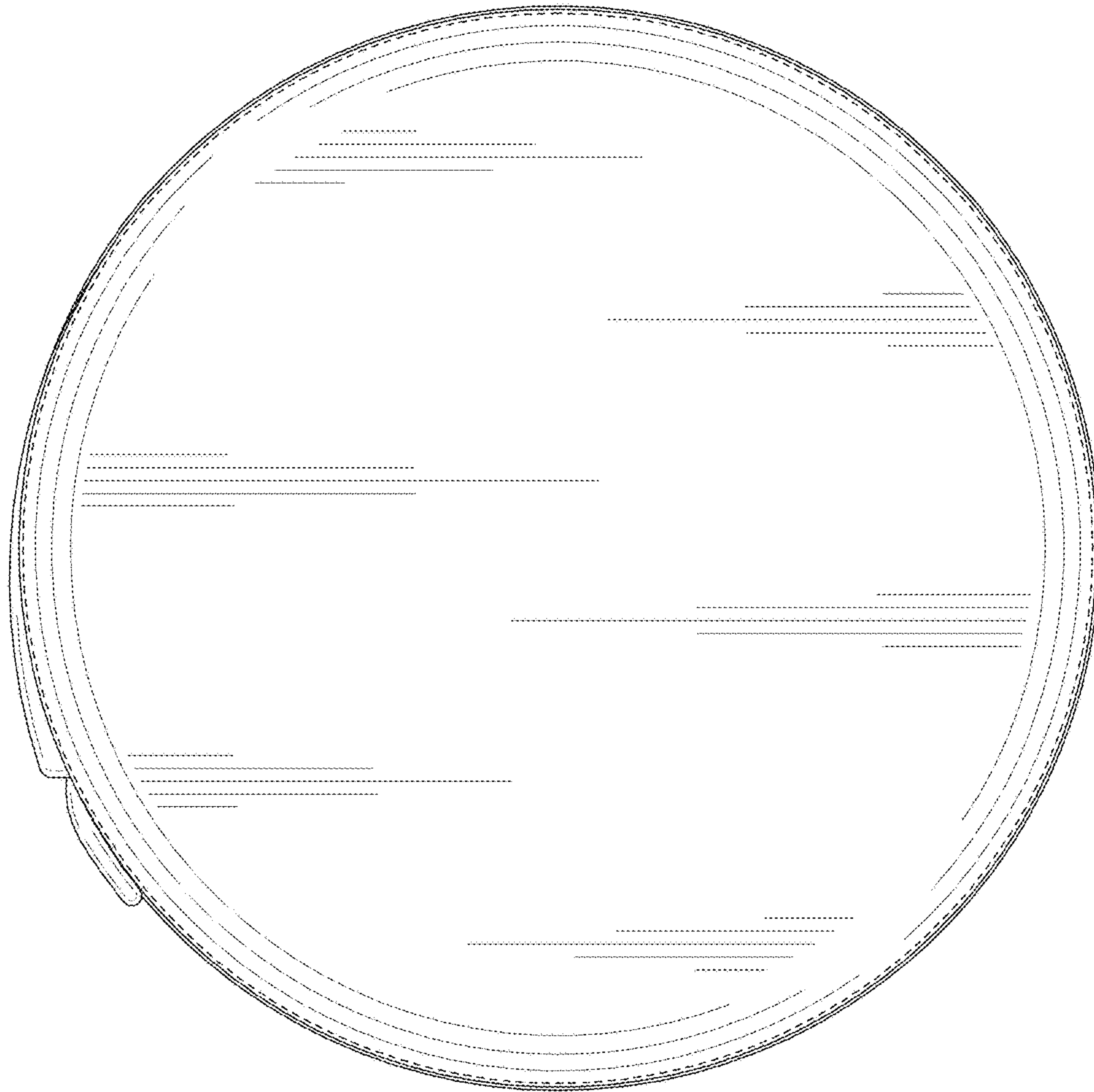


FIG. 4

FIG. 5

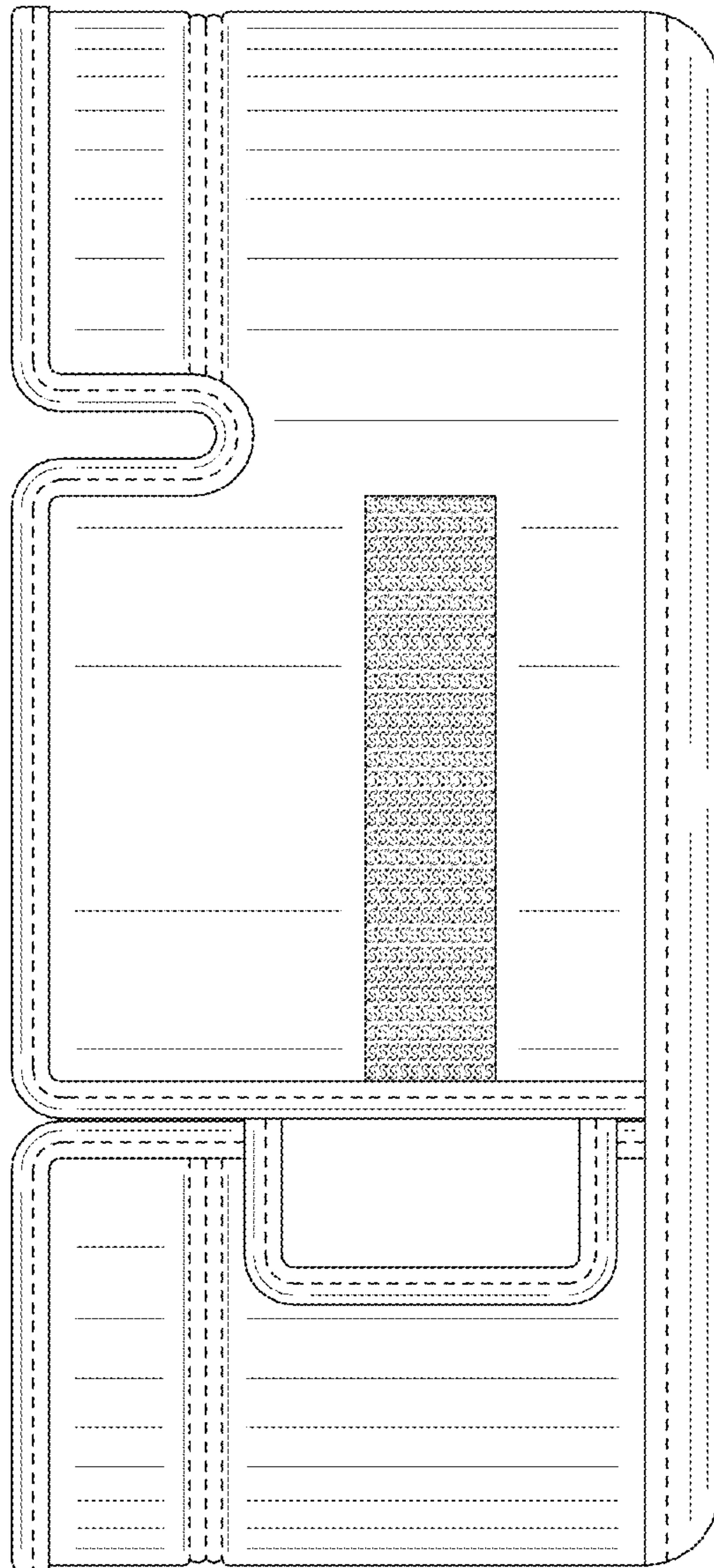


FIG. 6

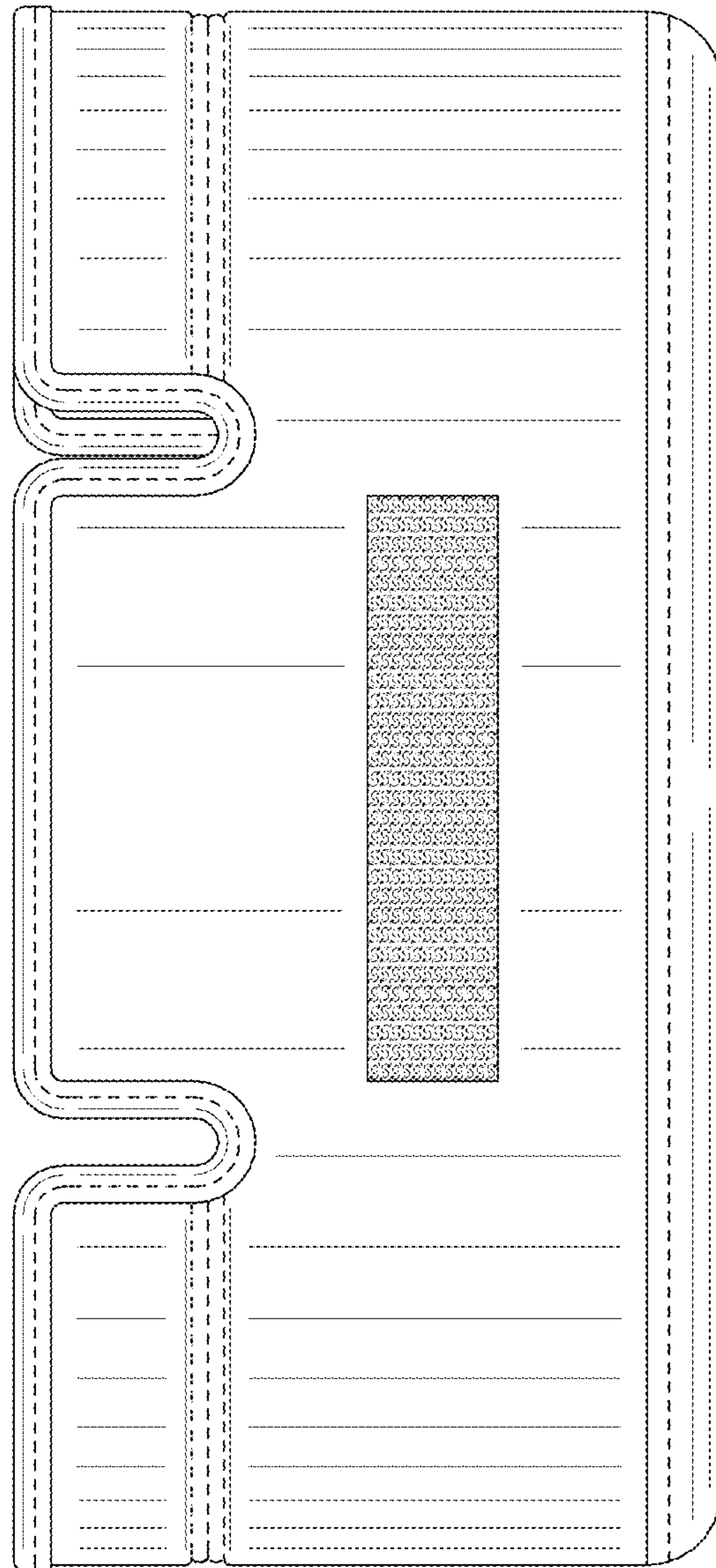


FIG. 7

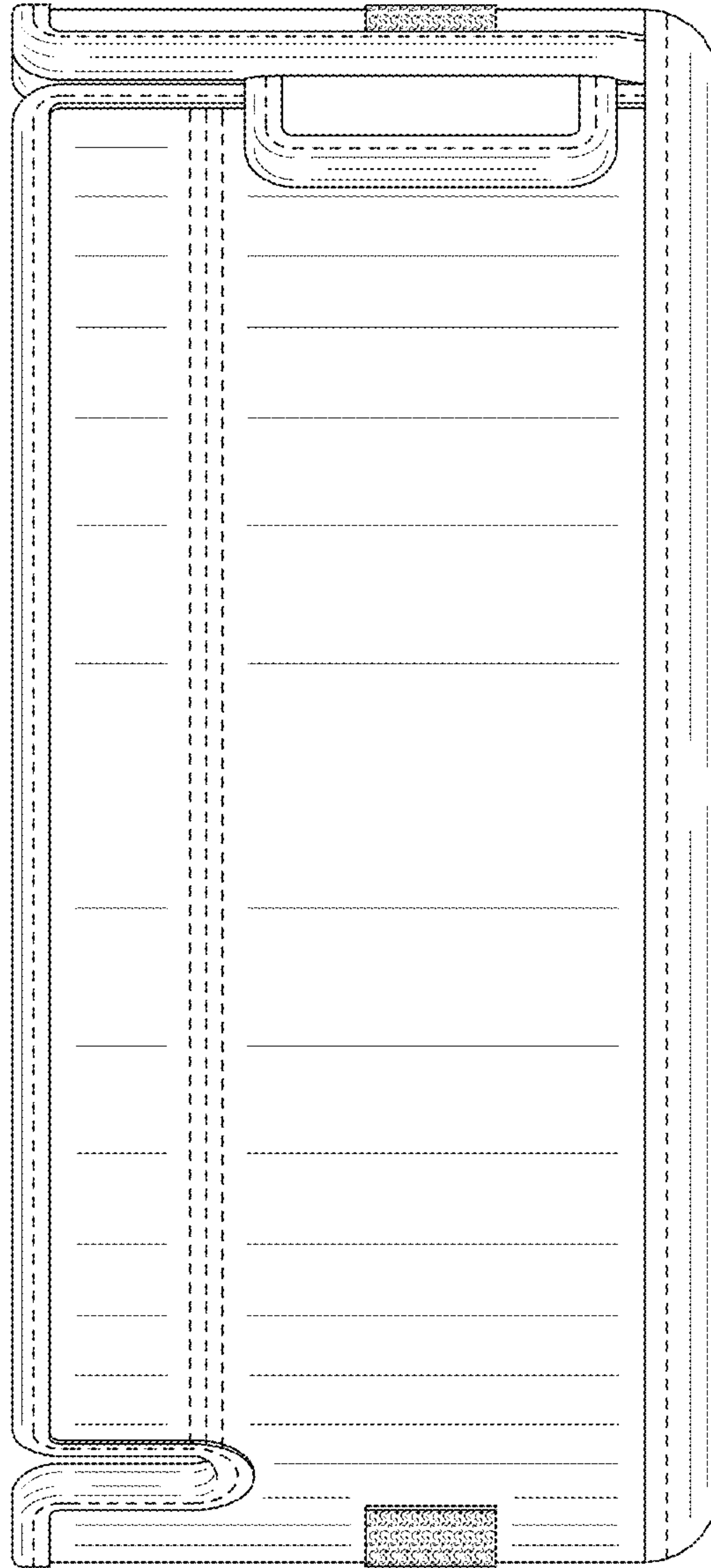
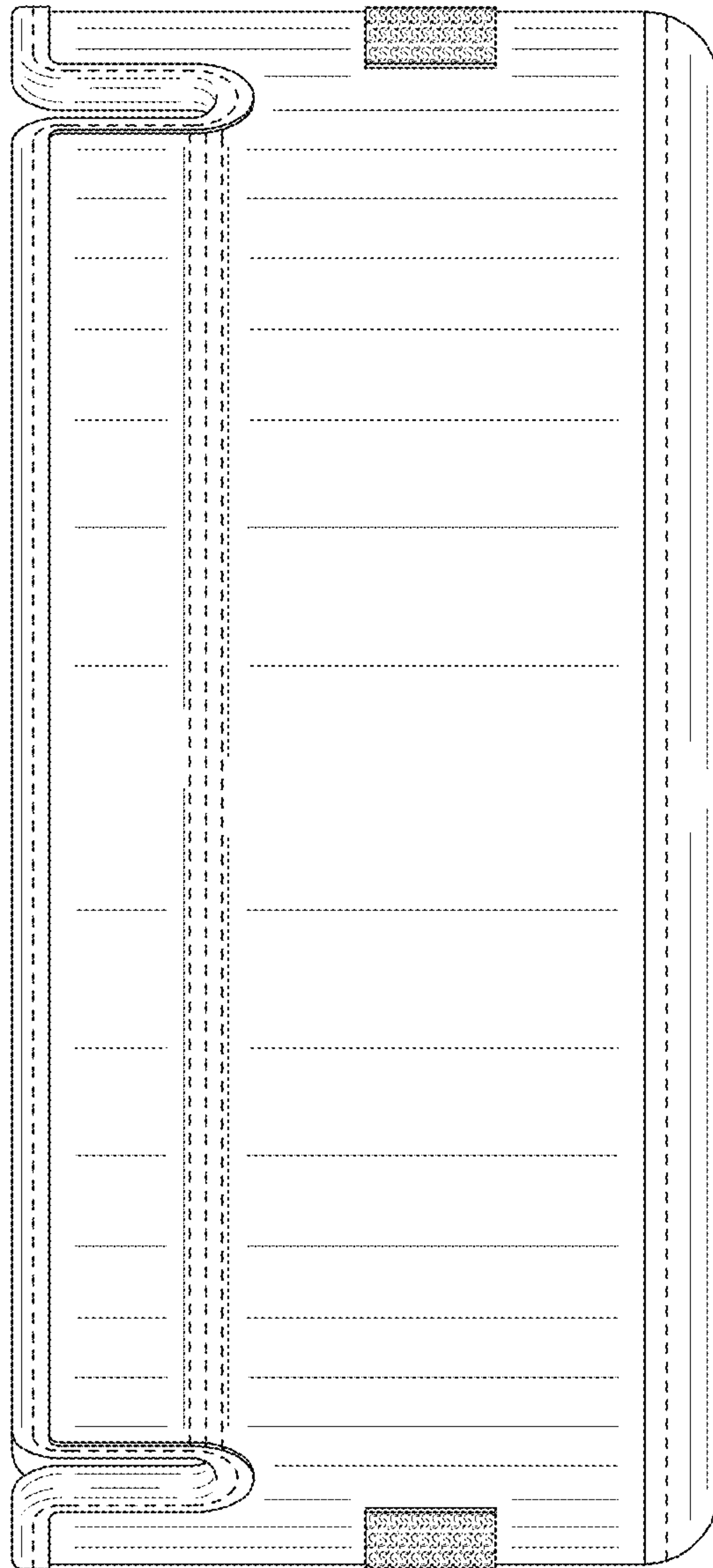


FIG. 8



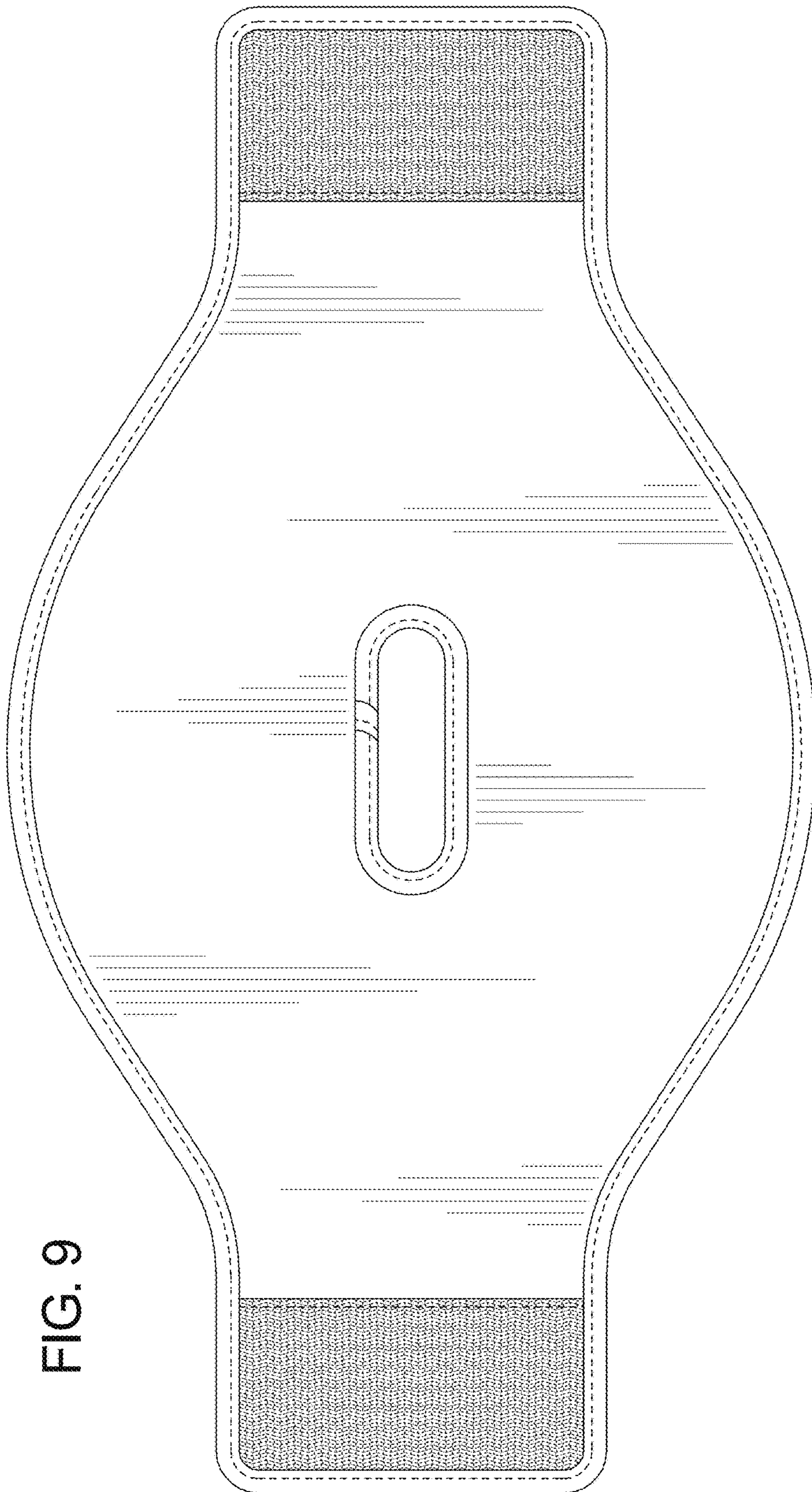


FIG. 9

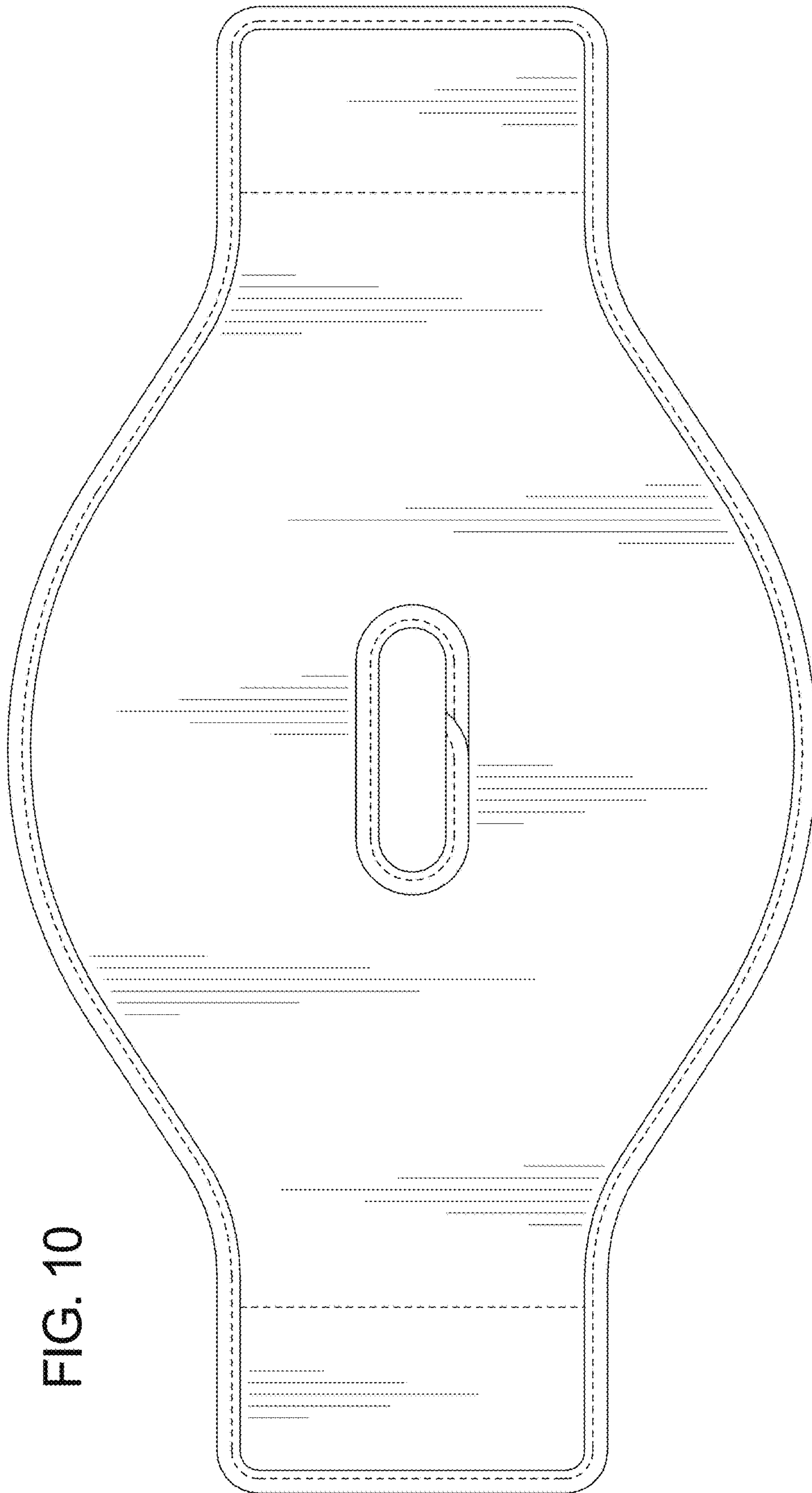


FIG. 10

FIG. 11

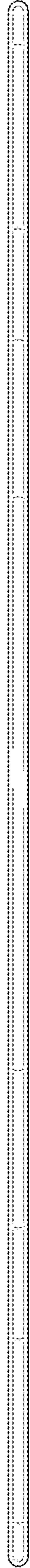


FIG. 12

