



US00D789748S

(12) **United States Design Patent**
Peters et al.

(10) **Patent No.:** **US D789,748 S**
(45) **Date of Patent:** **** Jun. 20, 2017**

(54) **FOOTBALL-SHAPED CONTAINER**
(71) Applicant: **Cool Ideas LLC**, Fairhaven, MA (US)
(72) Inventors: **Kristopher J. Peters**, Fairhaven, MA (US); **Paul E. Jewett**, Fairhaven, MA (US)
(73) Assignee: **Cool Ideas, LLC**, Fairhaven, MA (US)
(**) Term: **15 Years**
(21) Appl. No.: **29/538,545**

D411,715 S * 6/1999 Hansen D7/606
D424,375 S * 5/2000 D'Arrigo D7/510
D424,876 S * 5/2000 McPartland D7/510
D425,706 S * 5/2000 Calderone D3/200
D425,757 S * 5/2000 Printz D7/510
D511,212 S * 11/2005 Whalen D24/197
D518,596 S * 4/2006 Angeletta D28/7
D541,552 S * 5/2007 Weldon D3/271.9
D565,288 S * 4/2008 Hickman D3/201
D575,079 S * 8/2008 Hirsh D6/665
D587,968 S * 3/2009 Campbell D7/510
D604,086 S * 11/2009 Lipinski D7/301
D611,777 S * 3/2010 Yung D7/613

(Continued)

(22) Filed: **Sep. 4, 2015**
(51) **LOC (10) Cl.** **07-01**
(52) **U.S. Cl.**
USPC **D7/564**; D7/901; D7/613; D9/668
(58) **Field of Classification Search**
USPC D7/558, 559, 599, 514, 515, 518, 521,
D7/901, 606, 613, 601, 602, 556, 564;
D11/149; D6/512, 665; D9/668;
206/233; 220/630
CPC B65D 23/001; B65D 81/261; B65D 43/18;
B65D 81/365
See application file for complete search history.

OTHER PUBLICATIONS

Industrial design collection, (c) Questel, downloaded from www.orbit.com on May 29, 2015.

(Continued)

Primary Examiner — Marianne Pandozzi
(74) *Attorney, Agent, or Firm* — Burns & Levinson LLP;
Orlando Lopez; Marlo Schepper Grolnic

(56) **References Cited**

U.S. PATENT DOCUMENTS

3,624,939 A * 12/1971 Gossard A47G 1/12
206/84
D228,328 S * 9/1973 Schley D21/712
4,164,284 A * 8/1979 Witt B65D 81/3846
206/217
D266,436 S * 10/1982 Smith D10/2
D275,922 S * 10/1984 Weil D7/564
D323,602 S * 2/1992 Katz D7/316
D340,078 S * 10/1993 Turner D11/149
D370,154 S * 5/1996 Gruneisen, III D7/301
D371,934 S * 7/1996 Cwirko D7/511
5,662,241 A * 9/1997 Sorensen B65D 23/001
220/630

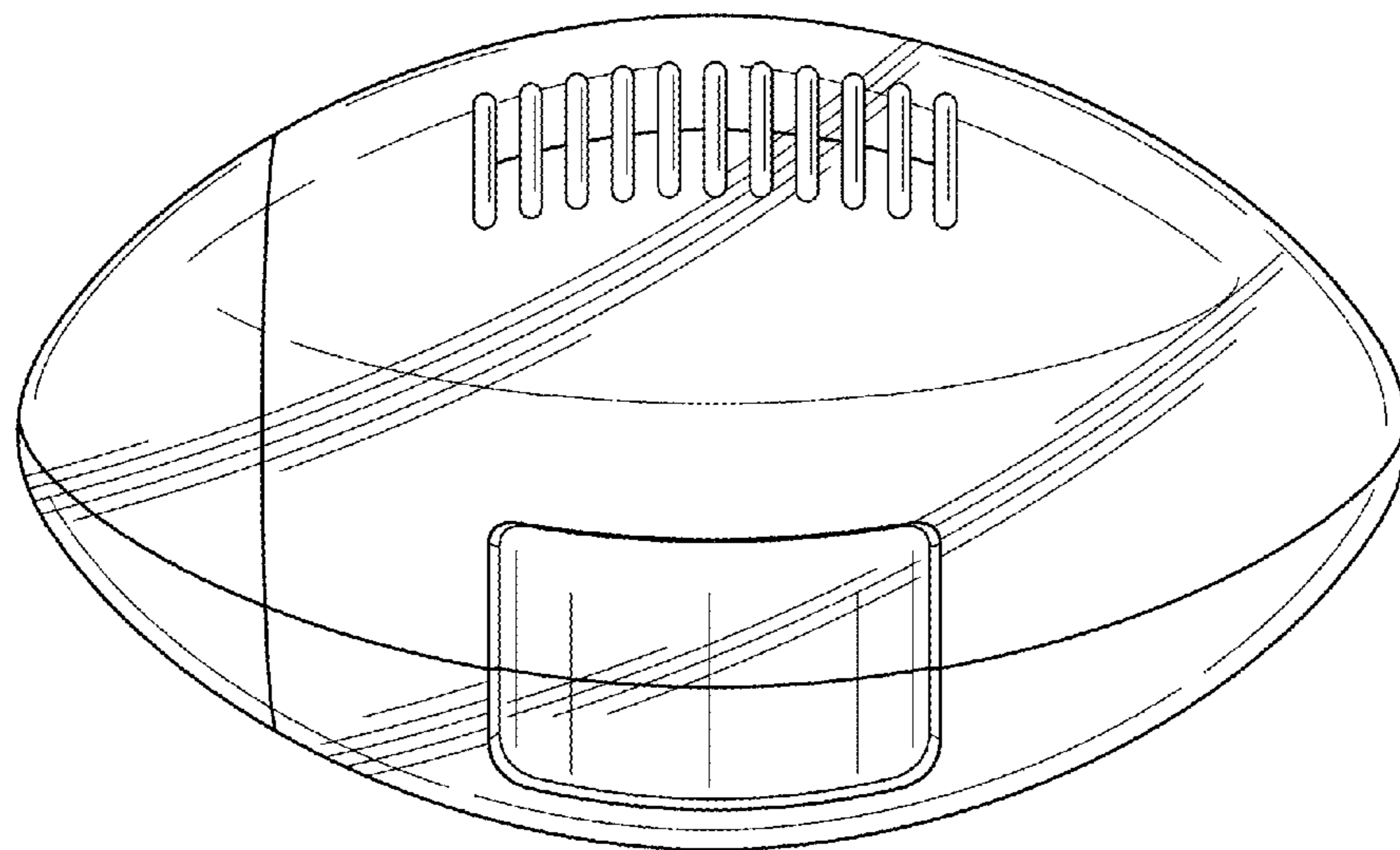
(57) **CLAIM**

The ornamental design for a football-shaped container, as shown and described.

DESCRIPTION

FIG. 1 is a perspective view of the football-shaped container;
FIG. 2 is a front view of the football-shaped container;
FIG. 3 is a rear view of the football-shaped container;
FIG. 4 is a side view of the football-shaped container;
FIG. 5 is a top view of the football-shaped container;
FIG. 6 is a bottom view the foot-ball shaped container; and,
FIG. 7 is an exploded, perspective view of the football-shaped container.

1 Claim, 7 Drawing Sheets



(56)

References Cited

U.S. PATENT DOCUMENTS

D621,657	S *	8/2010	Quinn	D7/507
D623,905	S *	9/2010	Paslowski	D7/606
D627,233	S *	11/2010	Blakeman	D9/668
D629,696	S *	12/2010	Pedmo	D9/541
7,954,634	B2 *	6/2011	Blakeman	B65D 43/18 206/233
D666,048	S *	8/2012	Kasswran	D7/301
D666,919	S *	9/2012	Gelin	D9/668
8,684,397	B2 *	4/2014	Blakeman	A45C 5/08 280/30
D710,152	S *	8/2014	Marini	D7/515
D710,154	S *	8/2014	Marini	D7/515
D711,690	S *	8/2014	Sutton	D7/625
D714,868	S *	10/2014	Nash	D19/86
D720,926	S *	1/2015	Kroupa	D3/264
D724,901	S *	3/2015	Sherron	D7/624.2
D724,902	S *	3/2015	Dickerson	D7/625
9,408,779	B2 *	8/2016	Stewart	A61J 9/0607
D775,913	S *	1/2017	Knirr	D8/38

OTHER PUBLICATIONS

San Francisco 49ers Football Snack Dispenser, downloaded from www.amazon.com on May 29, 2015.

Football Shaped Snack Dispenser, downloaded from www.oempromo.com on May 29, 2015.

Post-it® Pop-up Notes Dispenser for 3 in × 3 in Notes, Football Shape, Dallas Cowboys design, downloaded from www.postit.com on May 29, 2015.

Football Shaped Plastic Candy/Snack Dispenser—Clear Football—Blue & Red Base, downloaded from www.ebay.com on May 29, 2015.

* cited by examiner

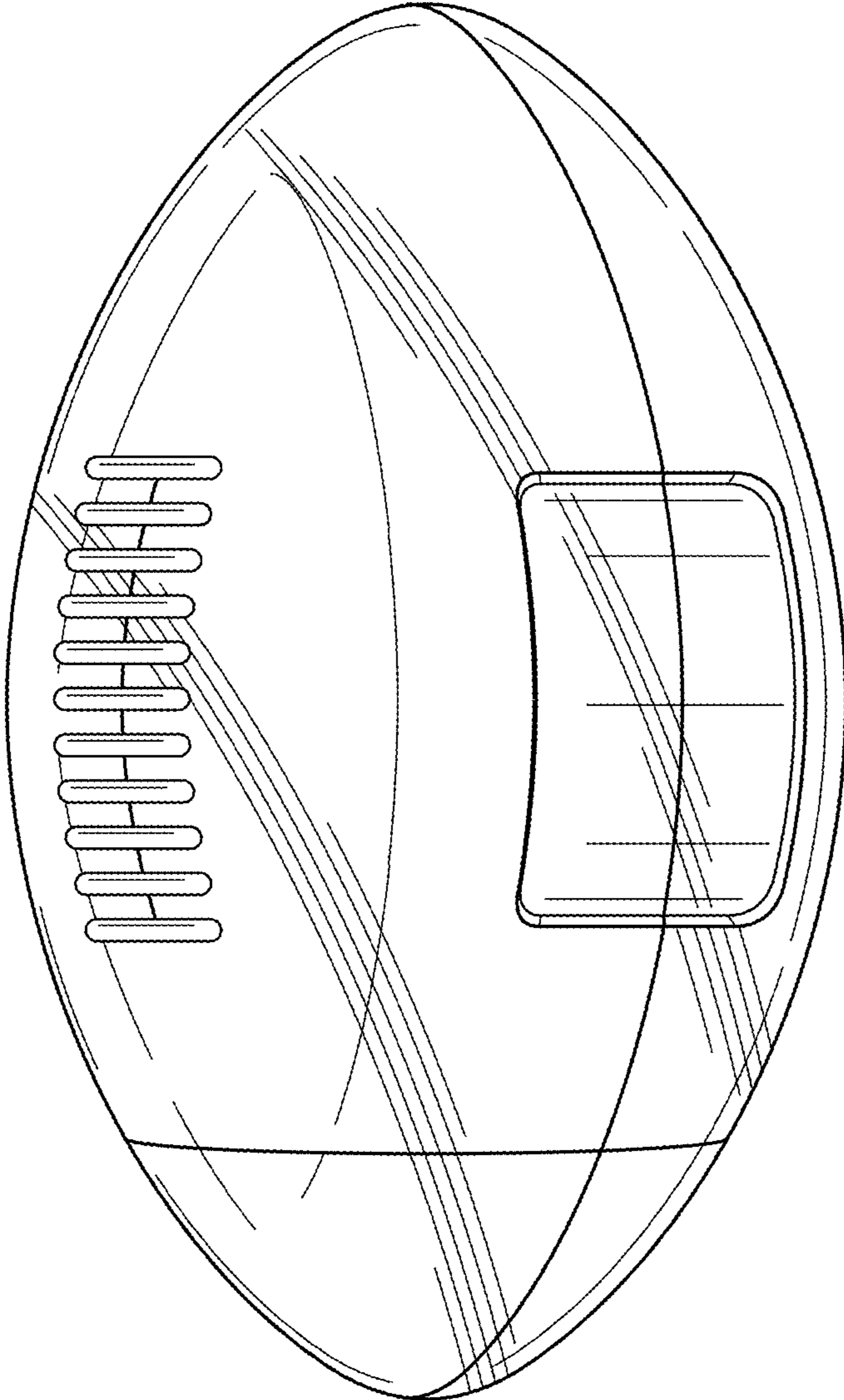


FIG. 1

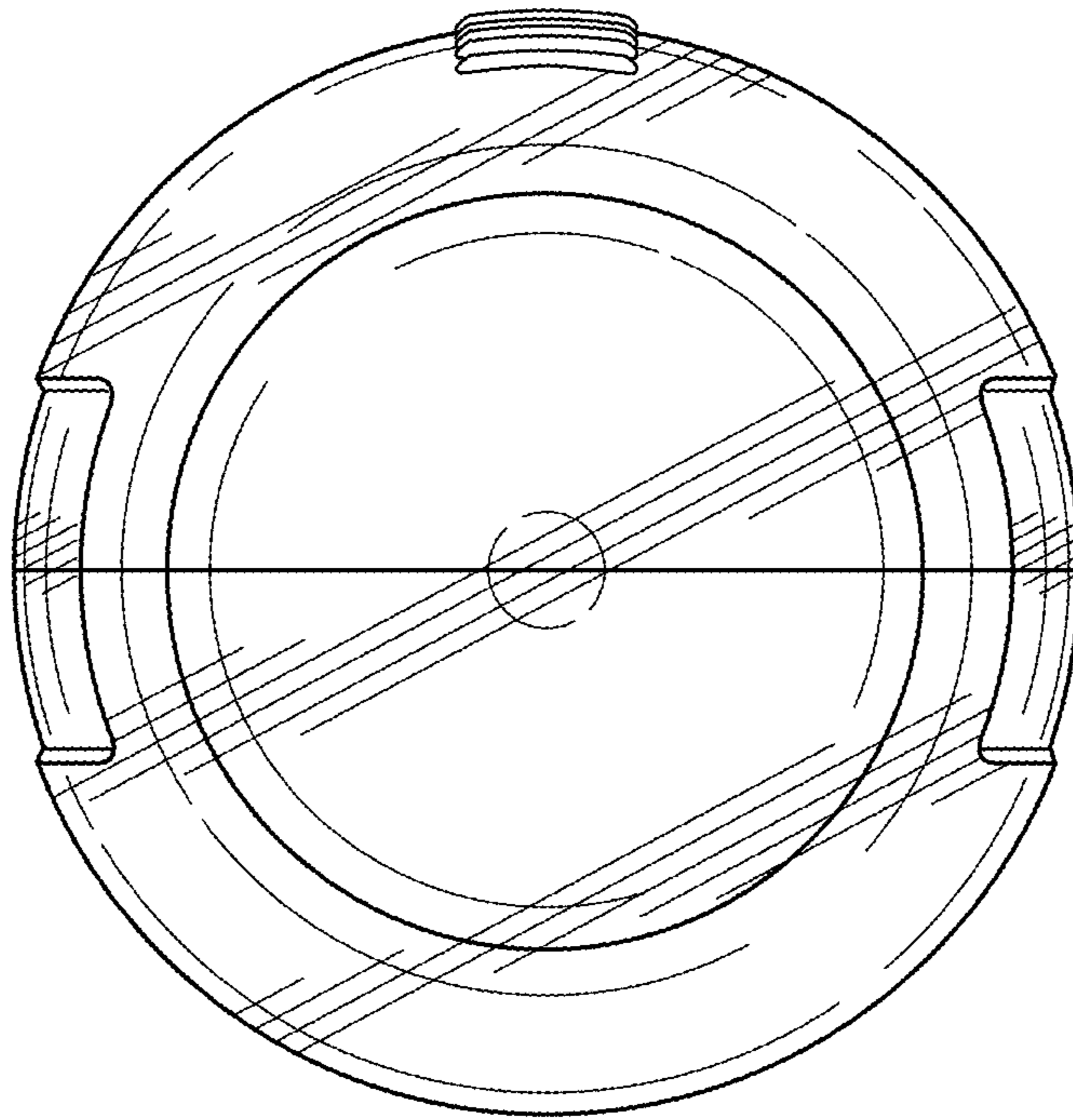


FIG. 2

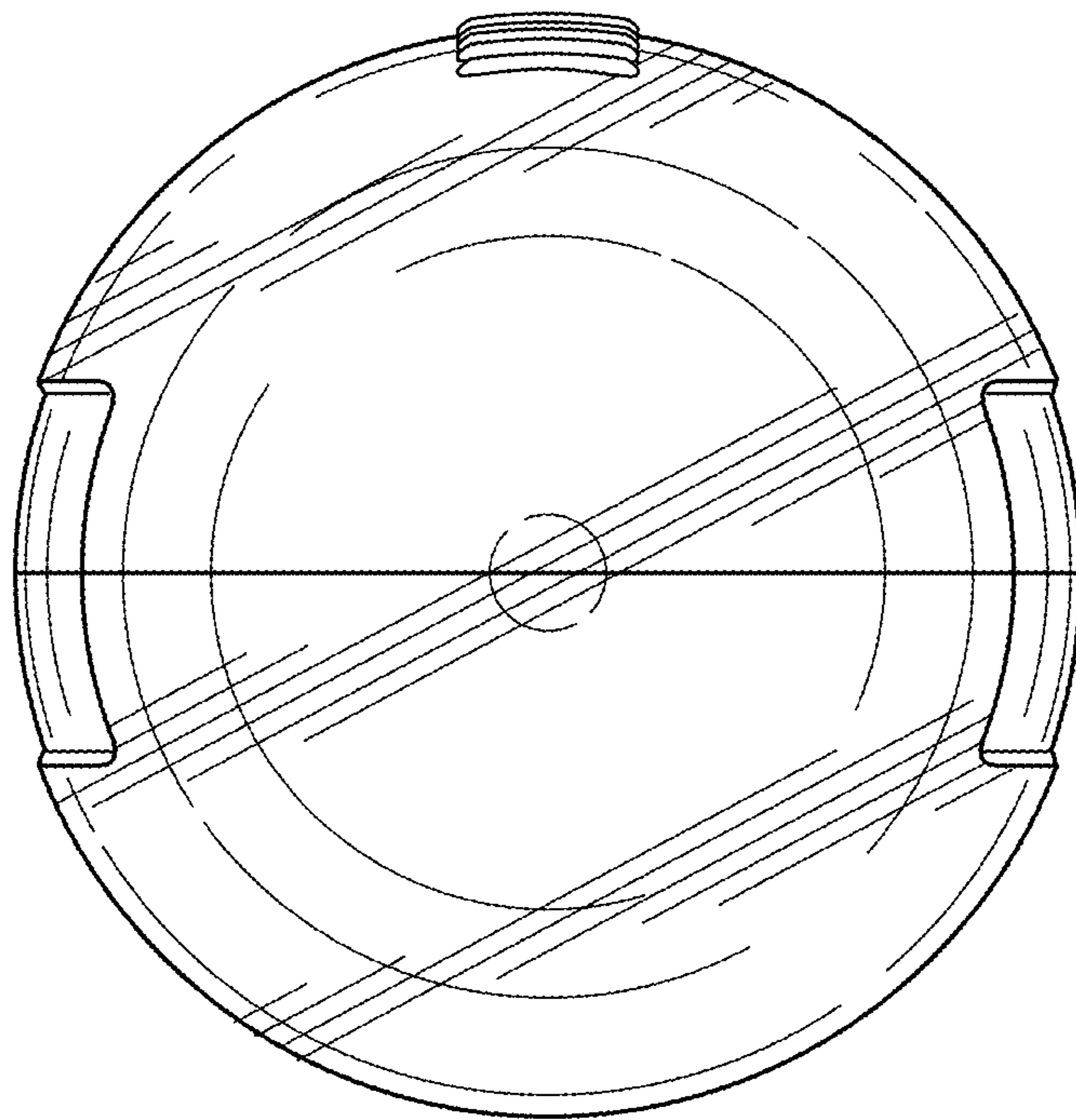


FIG. 3

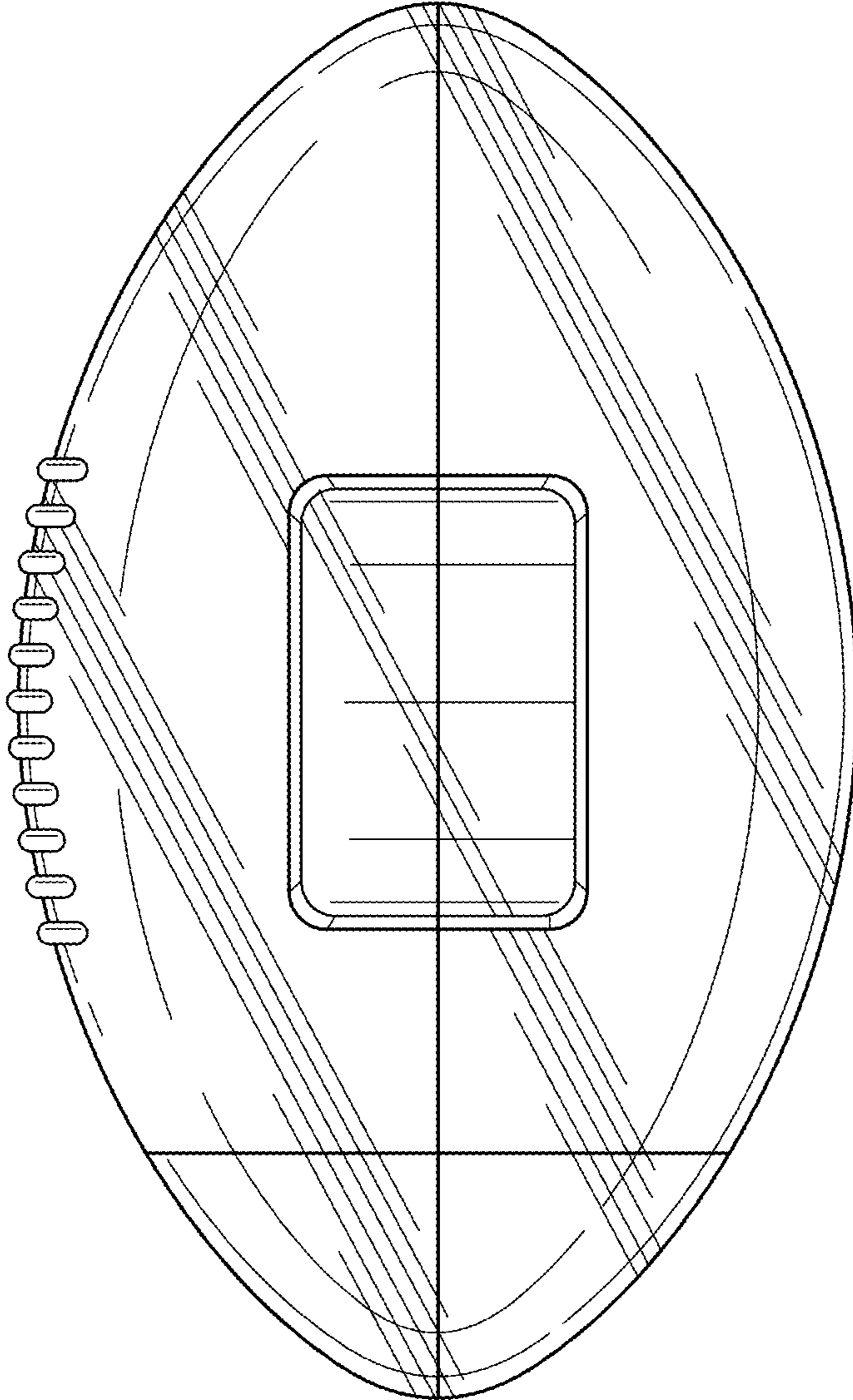


FIG. 4

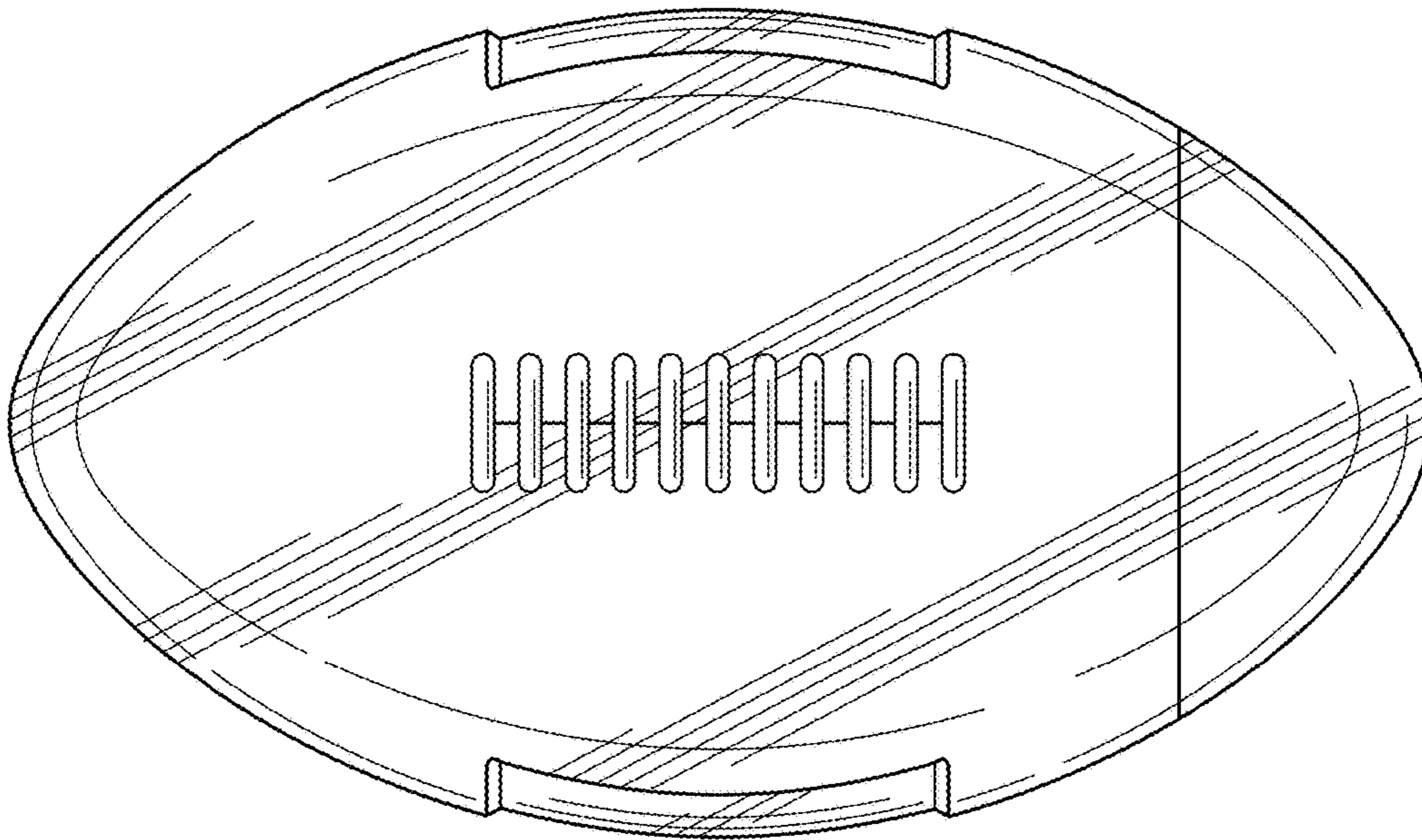


FIG. 5

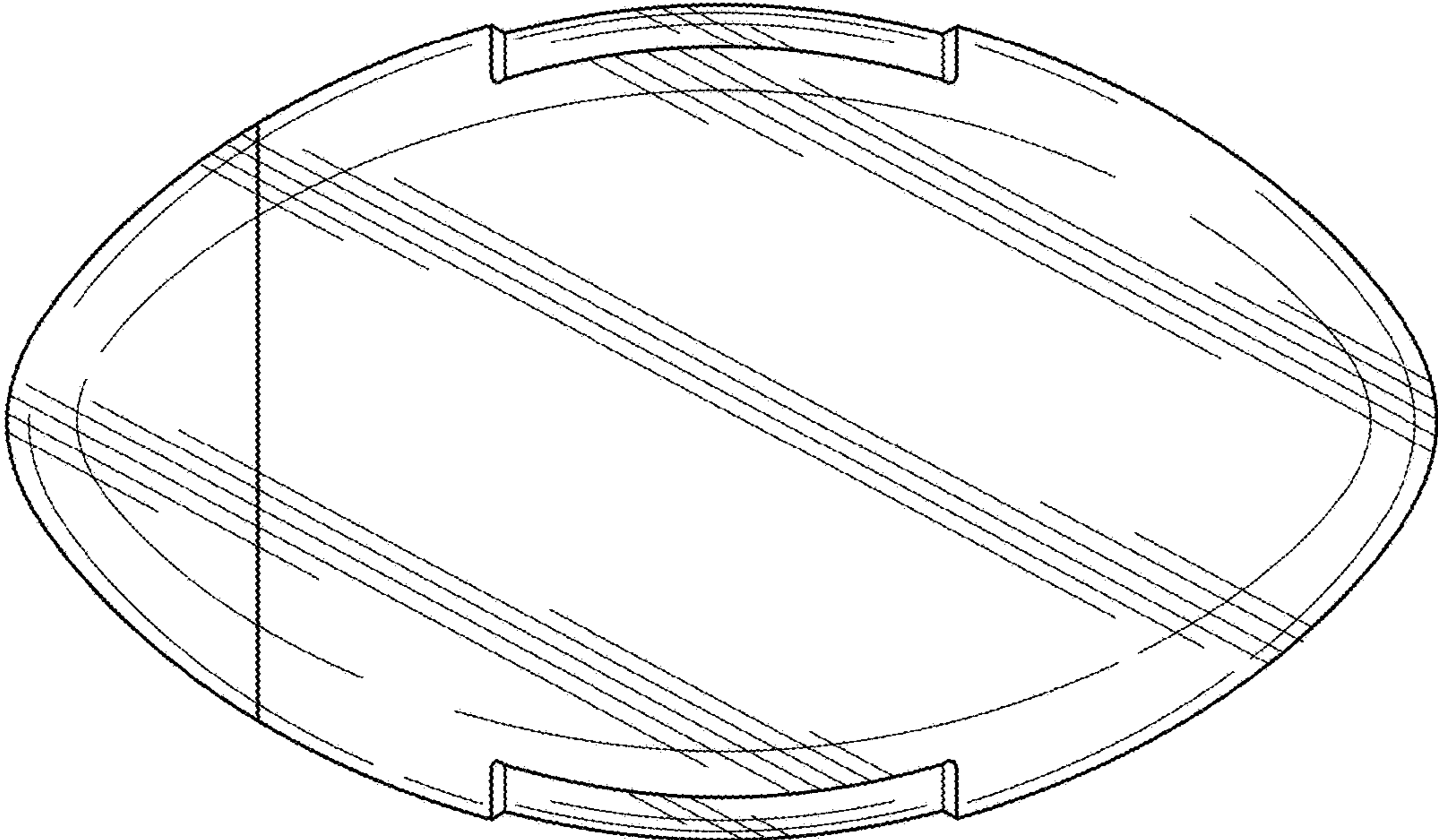


FIG. 6

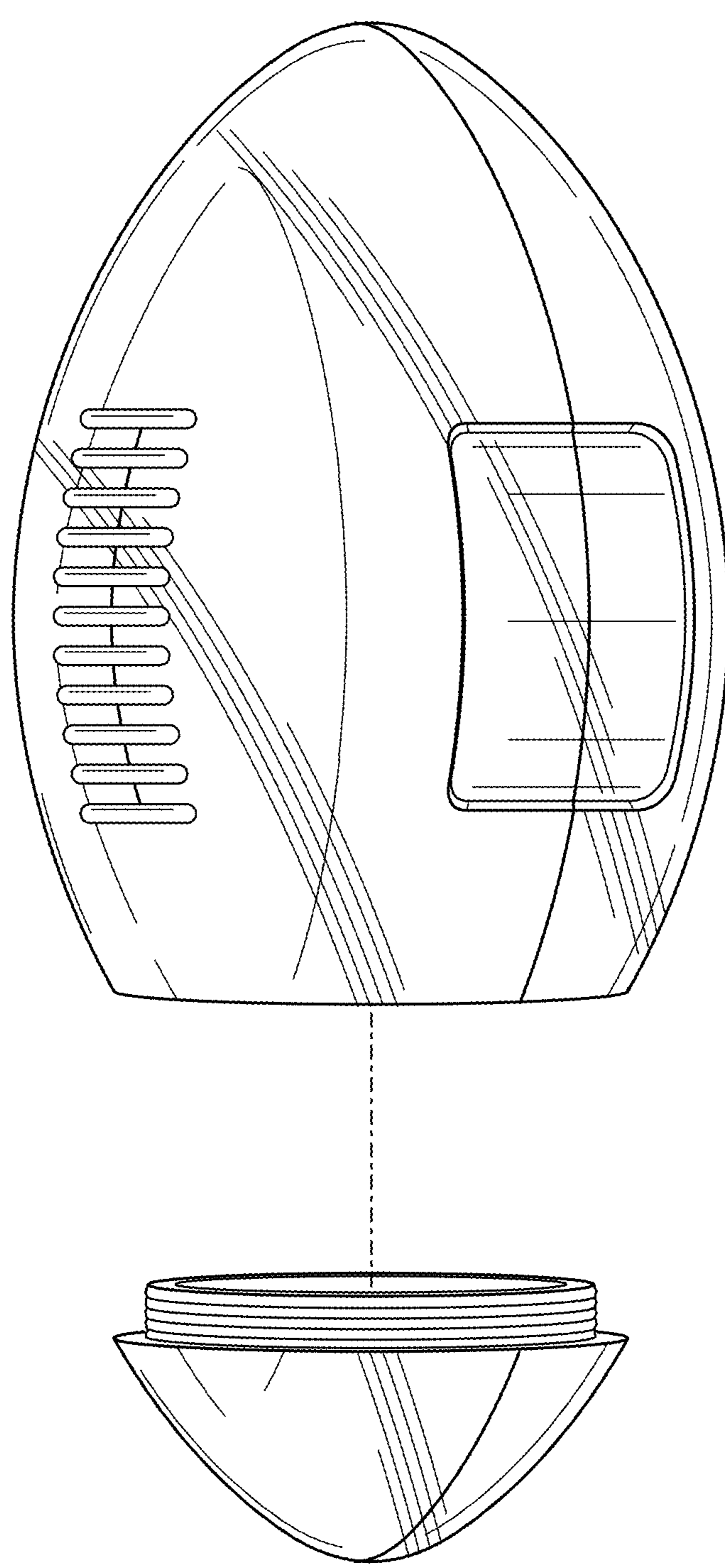


FIG. 7