



US00D789743S

(12) **United States Design Patent**  
**Washburn et al.**

(10) **Patent No.:** **US D789,743 S**  
(45) **Date of Patent:** **\*\* Jun. 20, 2017**

- (54) **TUMBLER**
- (71) Applicant: **Ignite USA, LLC**, Chicago, IL (US)
- (72) Inventors: **Bryan Washburn**, Buffalo Grove, IL (US); **Robert Coon**, Chicago, IL (US); **Angelina Lullie**, Chicago, IL (US)
- (73) Assignee: **Ignite USA, LLC**, Chicago, IL (US)
- (\*\*) Term: **15 Years**
- (21) Appl. No.: **29/546,600**
- (22) Filed: **Nov. 24, 2015**
- (51) **LOC (10) Cl.** ..... **07-01**
- (52) **U.S. Cl.**  
USPC ..... **D7/507; D7/510; D7/511; D7/532**
- (58) **Field of Classification Search**  
USPC ..... D7/507, 509, 510, 511, 523, 529, 531, D7/532, 533, 534, 608, 300.2, 591, 598, D7/601, 602, 387, 392.1, 396.2, 396.1, D7/398, 399, 397, 400, 516, 518, 519, D7/513; D9/435, 436, 519, 549, 552, D9/556, 559, 439, 440, 434; D21/386; D24/196, 197; 220/592.16, 292.17, 705, 220/710, 495.03  
CPC A47G 19/22; A47G 19/2211; A47G 19/2216; A47G 19/2222; A47G 19/2233  
See application file for complete search history.

(56) **References Cited**  
U.S. PATENT DOCUMENTS

- D258,484 S \* 3/1981 Slepicka ..... D7/511
- 6,427,864 B1 \* 8/2002 Asselin ..... B65D 21/0224  
206/217

- 8,381,935 B1 \* 2/2013 Buck ..... A47G 19/2205  
220/212
- D723,871 S \* 3/2015 Khubani ..... D7/505
- 8,973,776 B1 \* 3/2015 Buck ..... A47G 19/2272  
220/521
- D732,894 S \* 6/2015 Peterson ..... D7/510
- D755,013 S \* 5/2016 Khubani ..... D7/507
- D767,335 S \* 9/2016 Khubani ..... D7/507
- D772,632 S \* 11/2016 Buck ..... D7/300.2
- D773,895 S \* 12/2016 Dai ..... D7/507
- D773,896 S \* 12/2016 Dai ..... D7/507
- 2004/0089662 A1 \* 5/2004 Smith ..... B65D 43/0212  
220/253
- 2016/0051071 A1 \* 2/2016 Buck ..... A47G 21/187  
239/33

\* cited by examiner

*Primary Examiner* — Marianne Pandozzi  
*Assistant Examiner* — Jae Liang

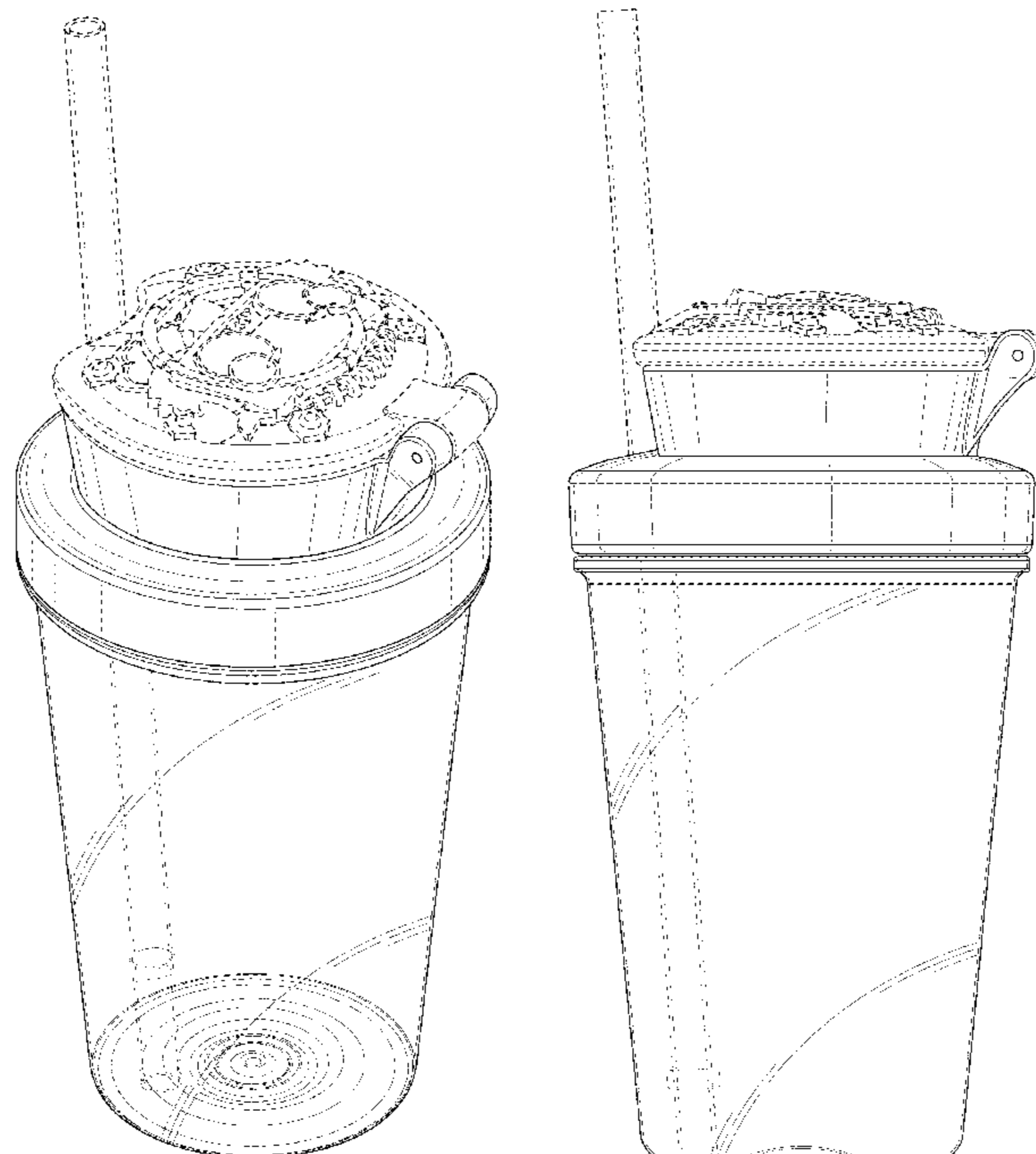
(57) **CLAIM**

The ornamental design for a “tumbler,” as shown and described.

**DESCRIPTION**

FIG. 1 is a perspective view of a tumbler showing our new design;  
FIG. 2 is a right side view thereof;  
FIG. 3 is a left side view thereof;  
FIG. 4 is a rear view thereof;  
FIG. 5 is a front view thereof;  
FIG. 6 is a top view thereof; and,  
FIG. 7 is a bottom view thereof.  
The broken lines in the drawing depict portions of the tumbler that form no part of the claimed design.

**1 Claim, 7 Drawing Sheets**



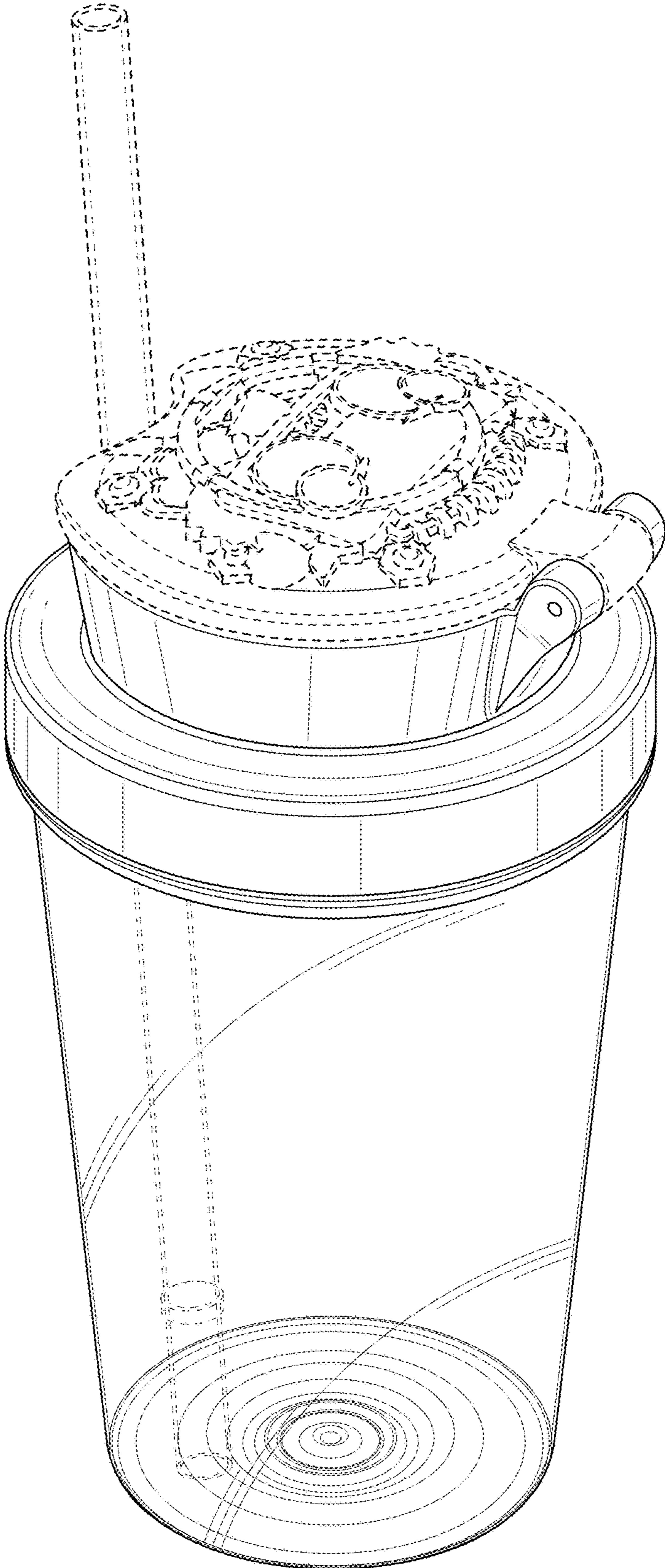


FIG. 1

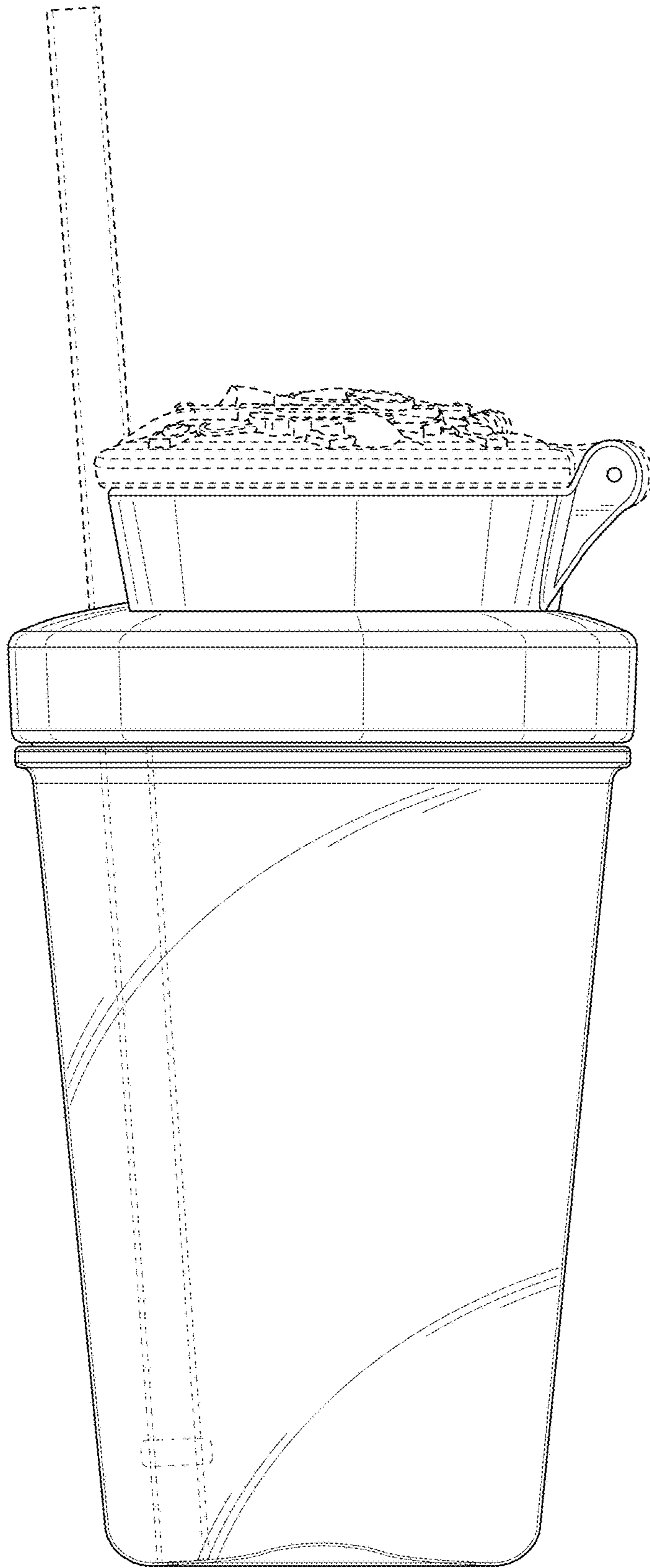


FIG. 2

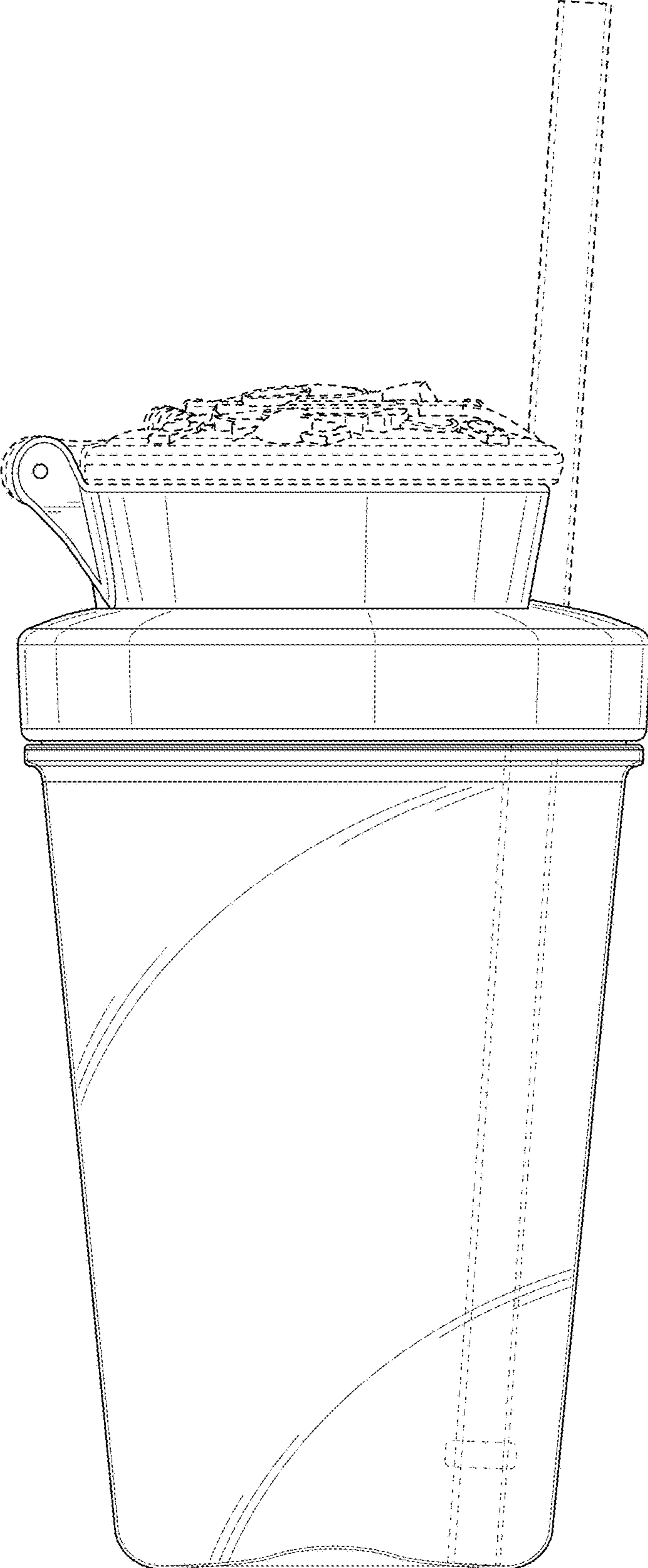


FIG. 3

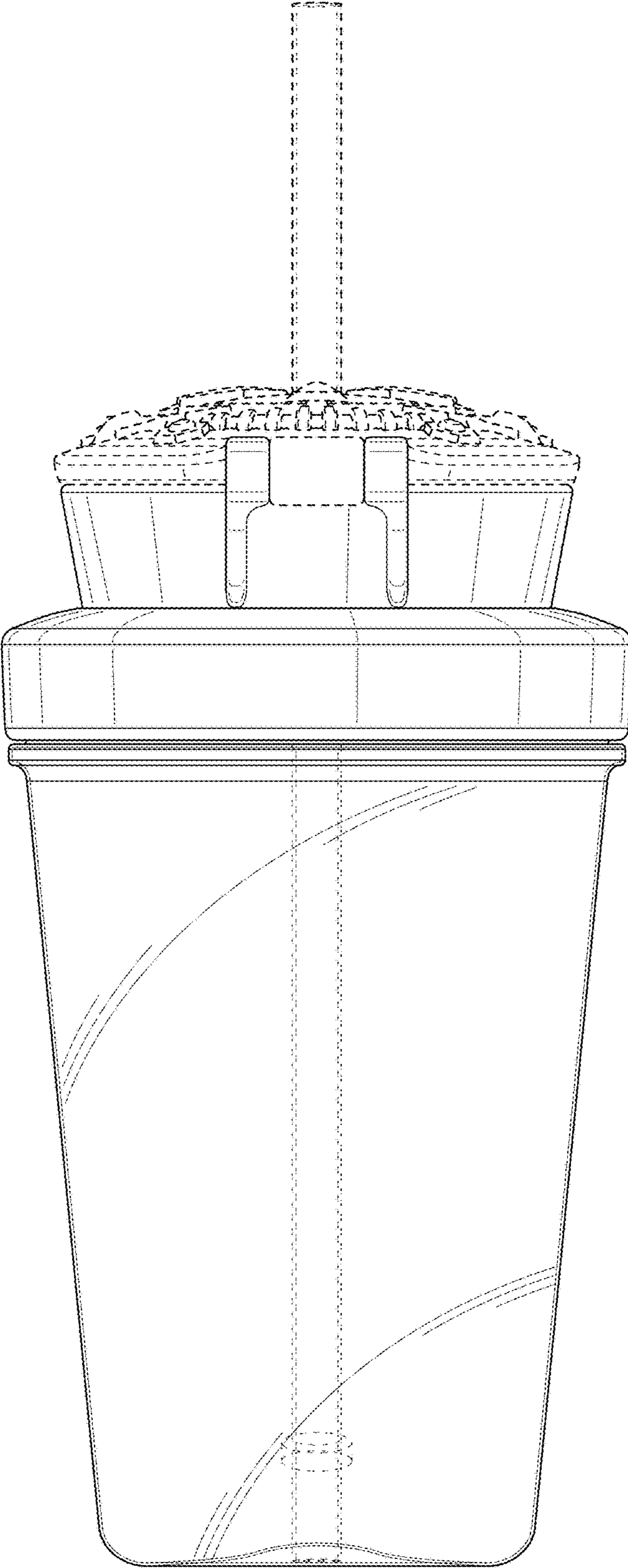


FIG. 4

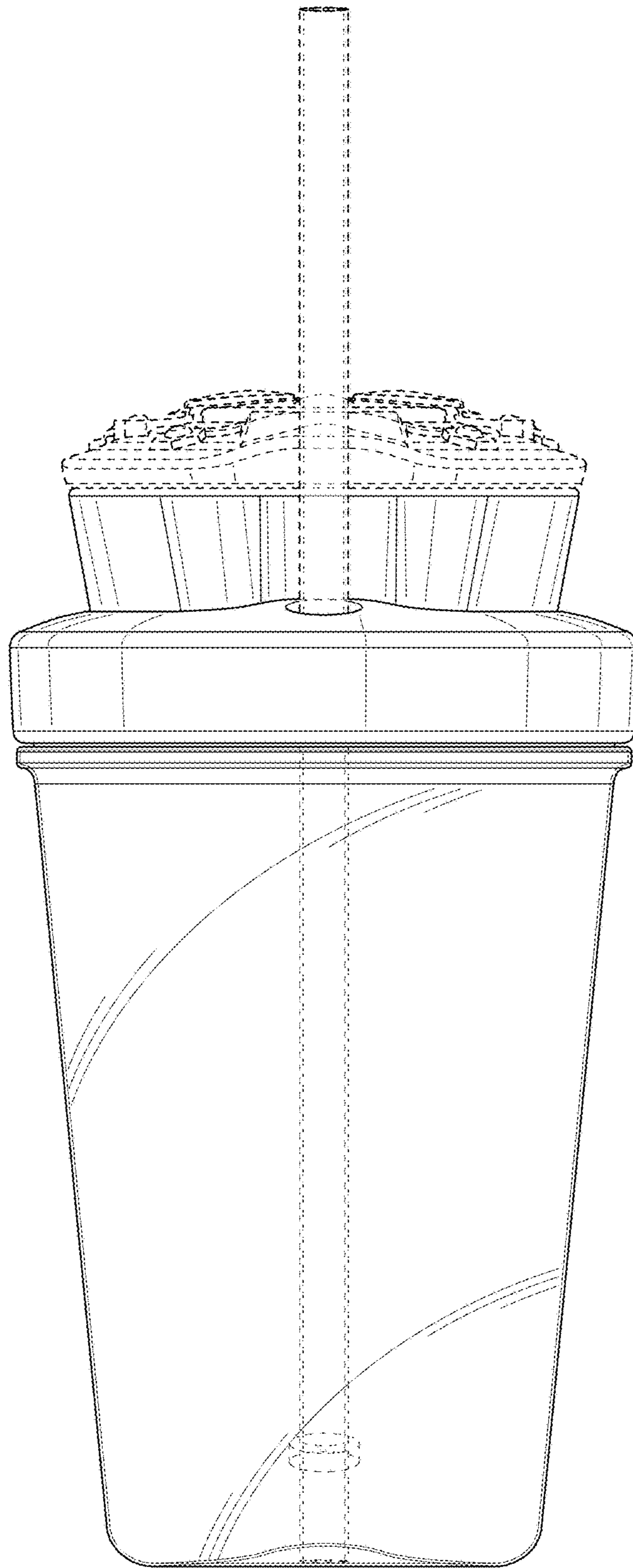


FIG. 5

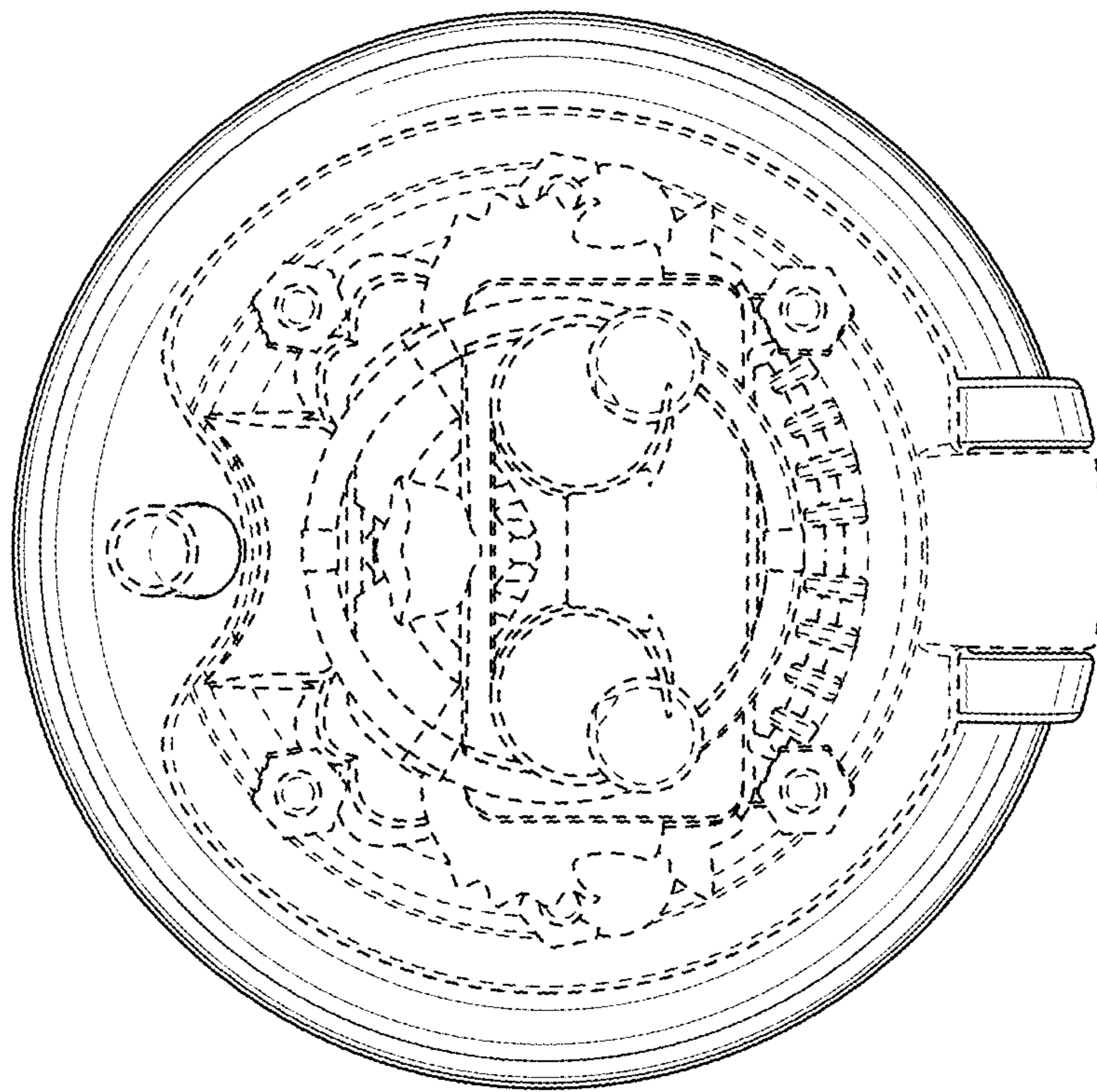


FIG. 6

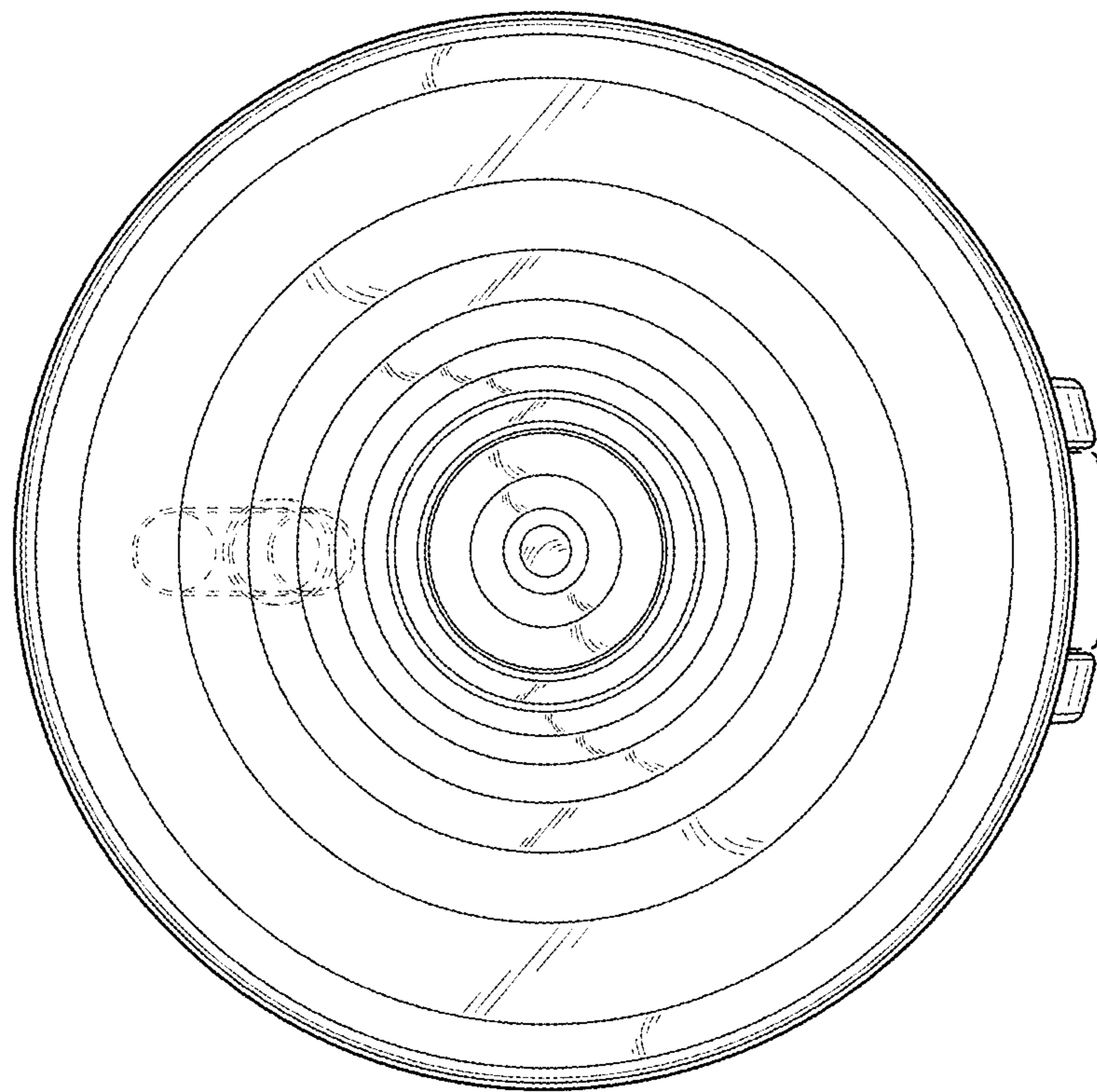


FIG. 7