



US00D789741S

(12) **United States Design Patent** (10) **Patent No.:** **US D789,741 S**
Parrish et al. (45) **Date of Patent:** **** Jun. 20, 2017**

- (54) **KETTLE GRILL ACCESSORY**
- (71) Applicant: **ADRENALINE BARBECUE COMPANY, LLC**, Concord, NC (US)
- (72) Inventors: **Michael David Parrish**, Concord, NC (US); **Aaron Michael Lyons**, Farwell, MI (US)
- (73) Assignee: **Adrenaline Barbecue Company**, Concord, NC (US)
- (**) Term: **15 Years**
- (21) Appl. No.: **29/563,558**
- (22) Filed: **May 5, 2016**

Related U.S. Application Data

- (63) Continuation of application No. 14/996,982, filed on Jan. 15, 2016.
 - (51) **LOC (10) Cl.** **07-02**
 - (52) **U.S. Cl.**
USPC **D7/409; D7/354; D7/363**
 - (58) **Field of Classification Search**
USPC D7/323, 332, 335-337, 354-355, D7/359-364, 387-388, 402, 407-409, D7/587, 698; D34/27
CPC A21B 2/00; A21B 3/00; A21B 3/13; A21B 3/15; A21B 5/00; A21B 5/02; A23N 12/06; A23N 12/08; A23N 12/10; A47J 37/00; A47J 37/04; A47J 37/041; A47J 37/042; A47J 37/06; A47J 37/0688; A47J 37/0694; A47J 37/07; A47J 37/0704; A47J 37/0786; A47J 37/10; A47J 47/20; A47J 2037/00; A47J 2037/06; A47J 2037/0611; A47J 2037/07; A47J 2037/0786; A47J 2037/0795; F24C 15/10; F24C 15/12; F24C 15/14; F24C 15/16; F24C 15/164; F24C 15/18
- See application file for complete search history.

- (56) **References Cited**
- U.S. PATENT DOCUMENTS
- D257,108 S * 9/1980 Daenen D7/587
- 4,966,125 A 10/1990 Stephen et al.
- 5,558,008 A * 9/1996 Jenkins A47J 37/0786
126/25 R
- 5,678,531 A * 10/1997 Byers A47J 37/0704
126/25 R
- 6,065,464 A * 5/2000 Zajec A47J 37/0786
126/25 B
- 6,155,248 A 12/2000 Schlosser et al.
- (Continued)

OTHER PUBLICATIONS

<http://vortexbbq.com>; Vortex by ThunderDome BBQ; Casa Grande, AZ; Cooking/Smoking Device; Published Prior to Jan. 15, 2016.

Primary Examiner — Ricky Pham

(74) *Attorney, Agent, or Firm* — Schwartz Law Firm, P.C.

(57) **CLAIM**

We claim the ornamental design for an kettle grill accessory, as shown and described.

DESCRIPTION

FIG. 1 is an environmental perspective view of the kettle grill accessory, the broken lines representing a kettle grill forming no part of the claimed design;

FIG. 2 is a top perspective view of the kettle grill accessory;

FIG. 3 is a bottom perspective view of the kettle grill accessory;

FIG. 4 is a first side view of the kettle grill accessory;

FIG. 5 is a top view of the kettle grill accessory;

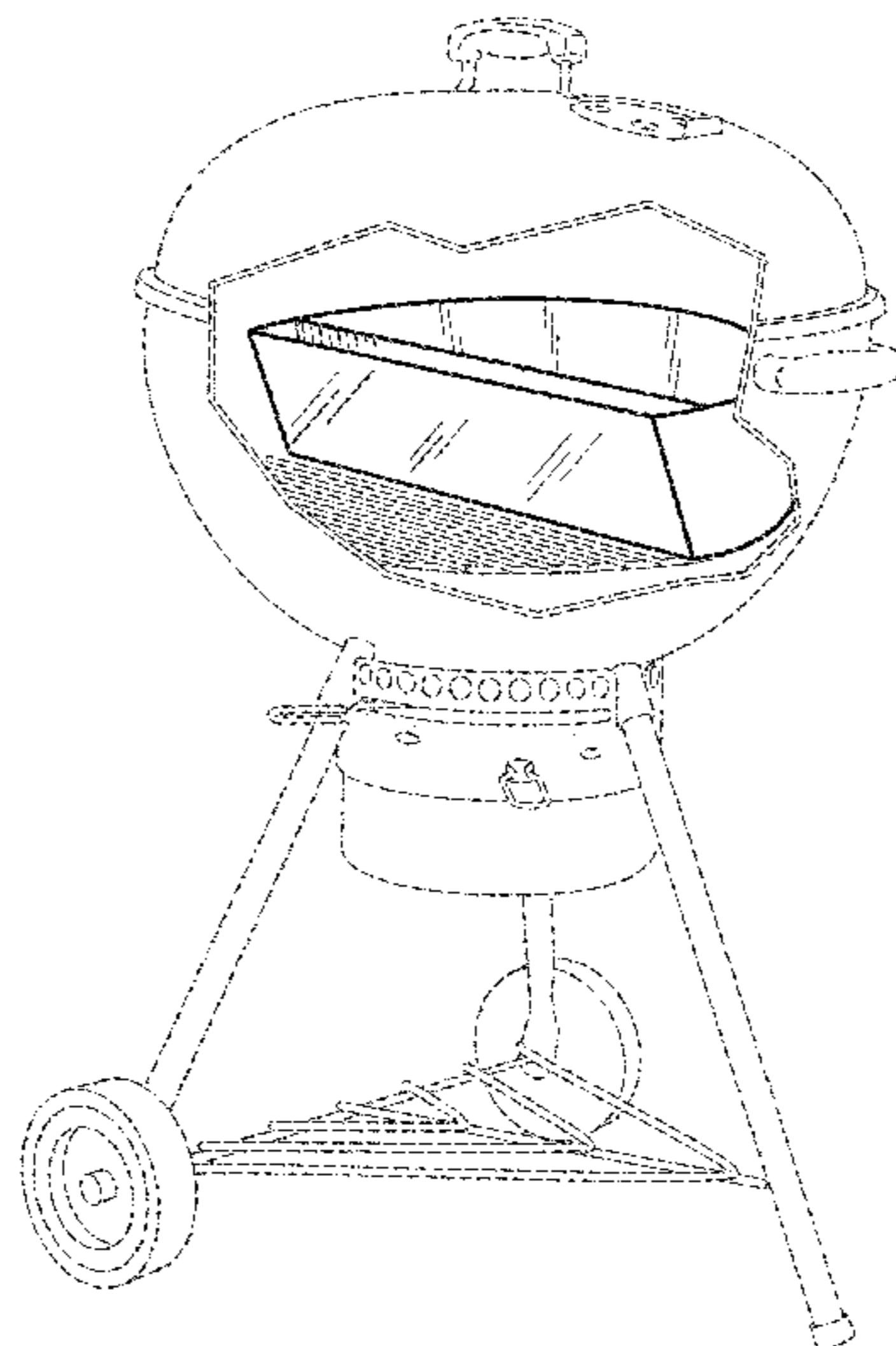
FIG. 6 is a second side view of the kettle grill accessory;

FIG. 7 is a bottom view of the kettle grill accessory;

FIG. 8 is an end view of the kettle grill accessory; and,

FIG. 9 is a cross-sectional view of the kettle grill accessory taken at line 9-9 in FIG. 6.

1 Claim, 6 Drawing Sheets



(56)

References Cited

U.S. PATENT DOCUMENTS

D467,698 S * 12/2002 Holbrook D34/27
6,688,301 B1 * 2/2004 McNeill A47J 37/0786
126/25 B
D614,915 S * 5/2010 Schnitman D7/409
D623,006 S * 9/2010 Alden D7/354
7,832,330 B1 * 11/2010 Thompson A47J 37/0704
126/163 R
D640,500 S * 6/2011 Button D7/362
D645,295 S * 9/2011 Klesath D7/354
D671,806 S * 12/2012 Kaufmann D7/698
D717,597 S * 11/2014 Henry D7/363

* cited by examiner

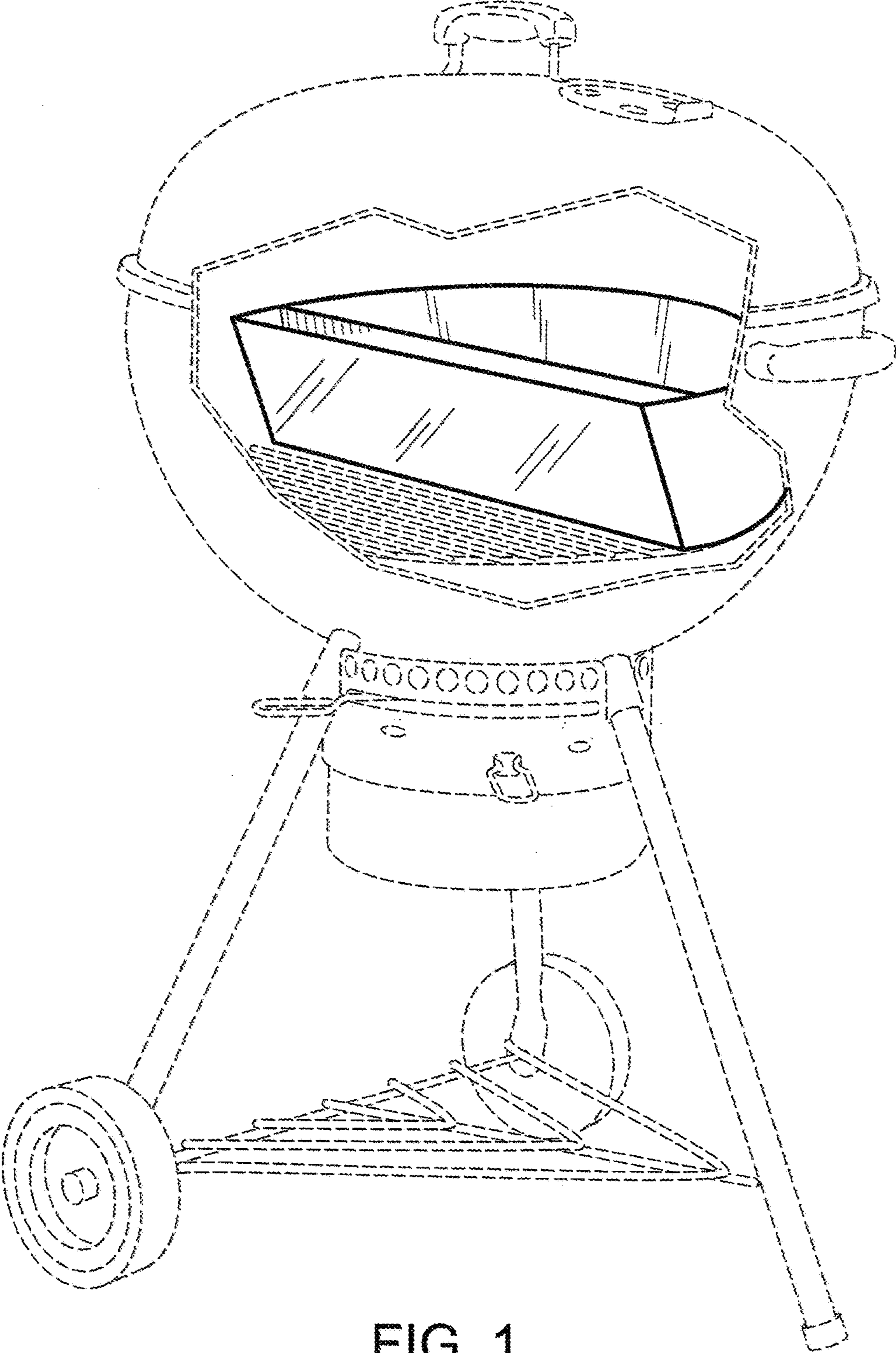


FIG. 1

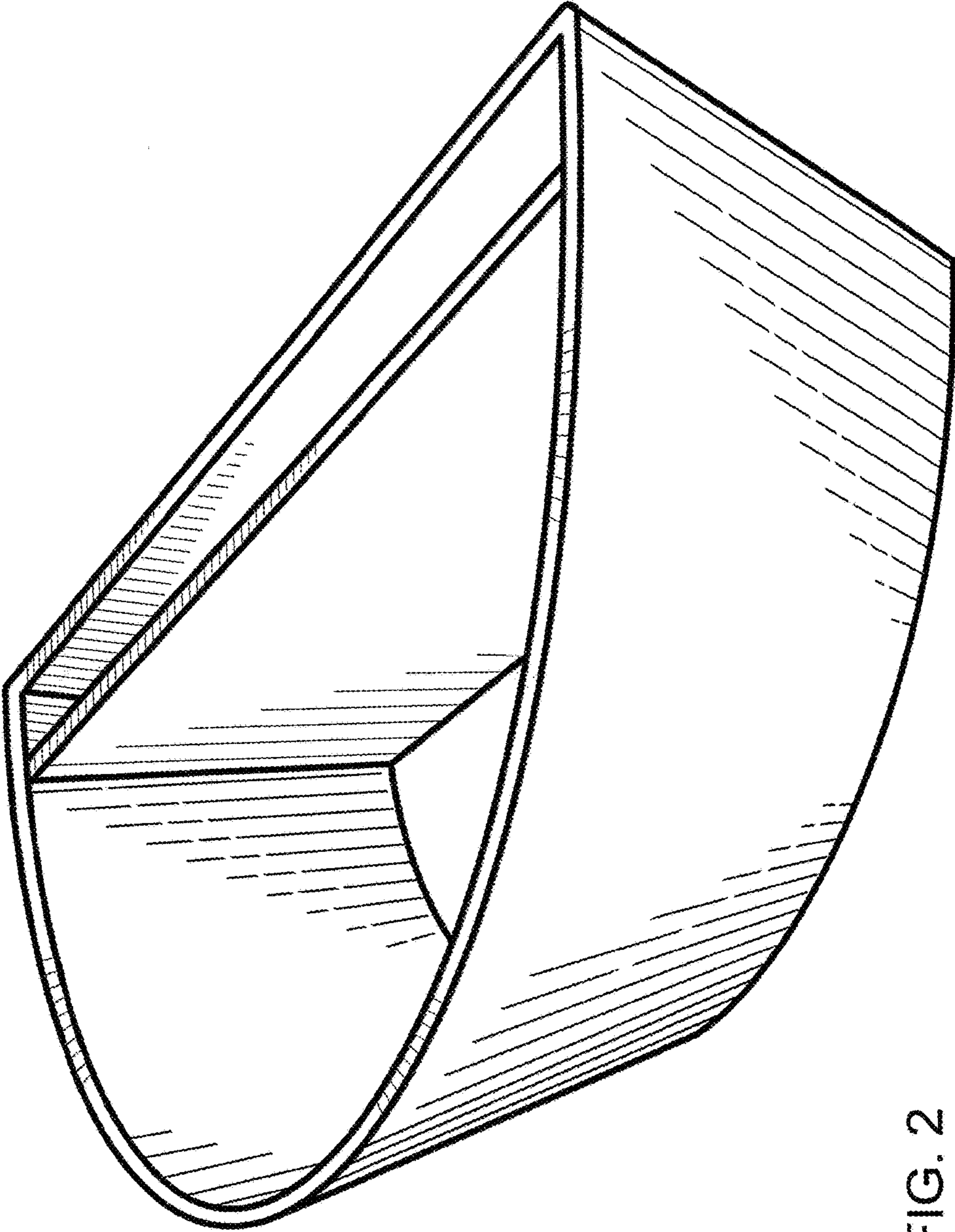


FIG. 2

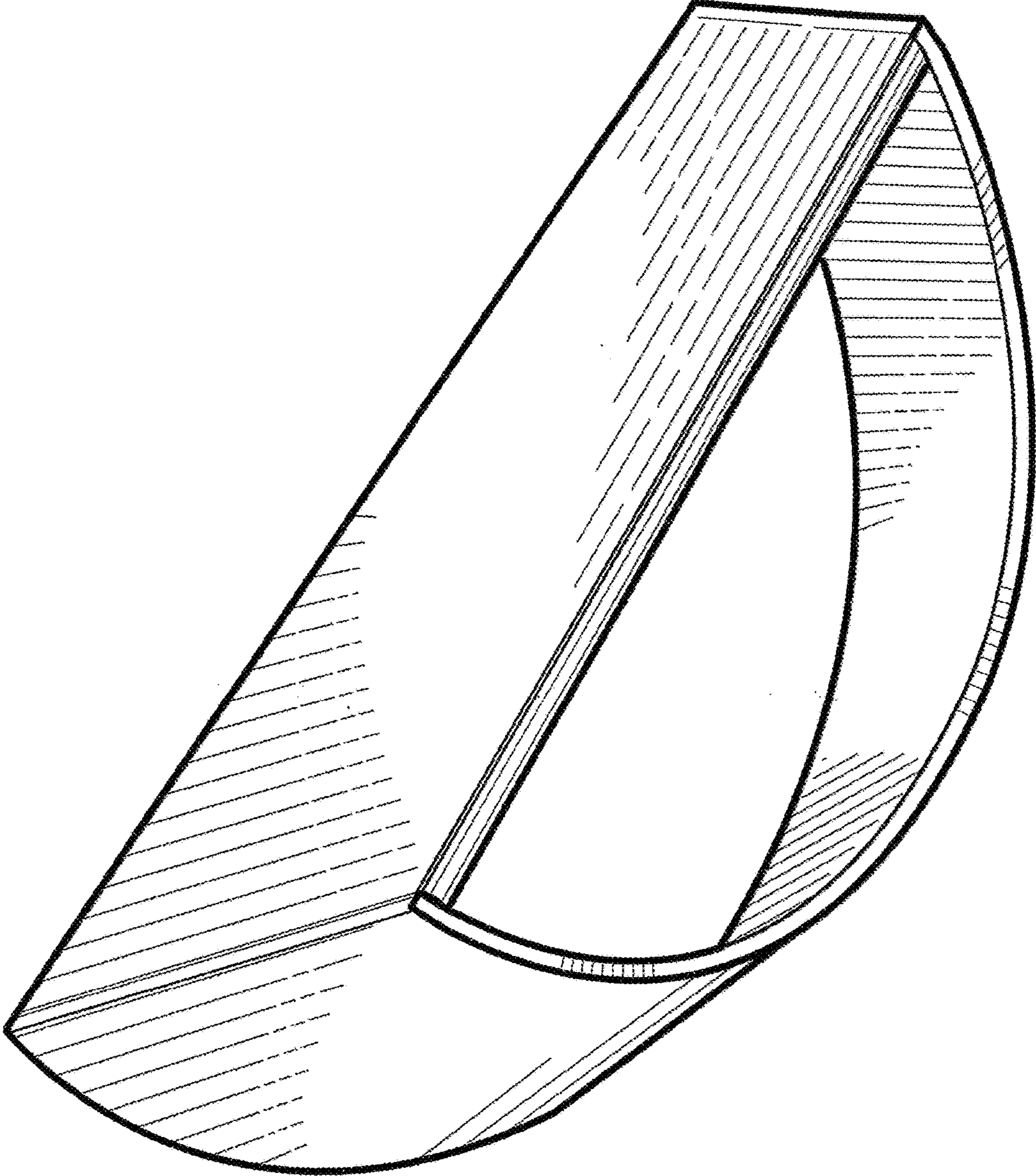


FIG. 3

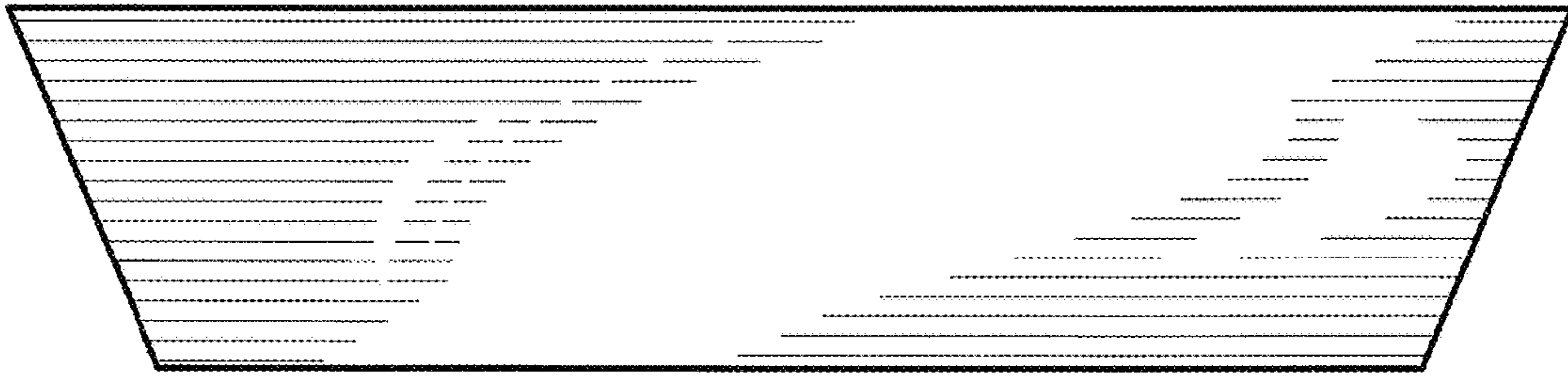


FIG. 4

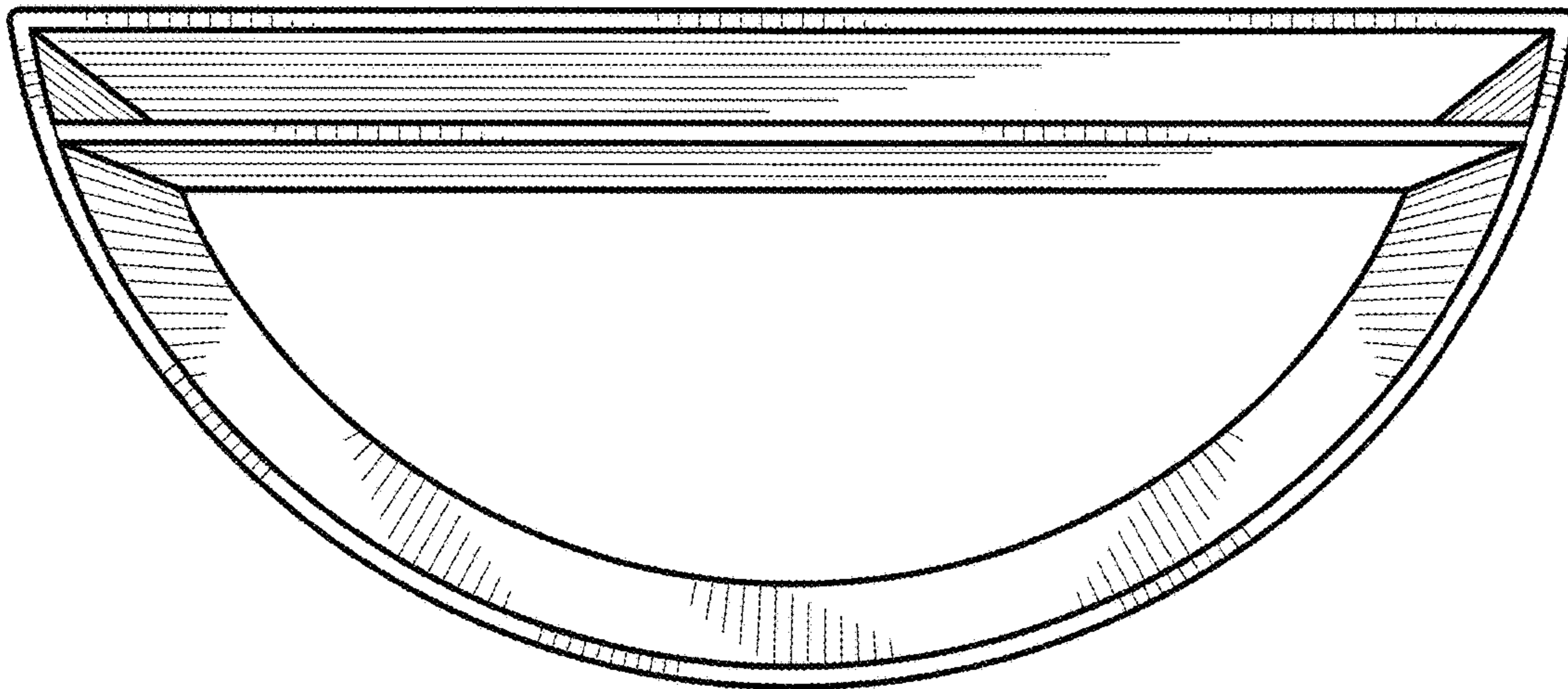


FIG. 5

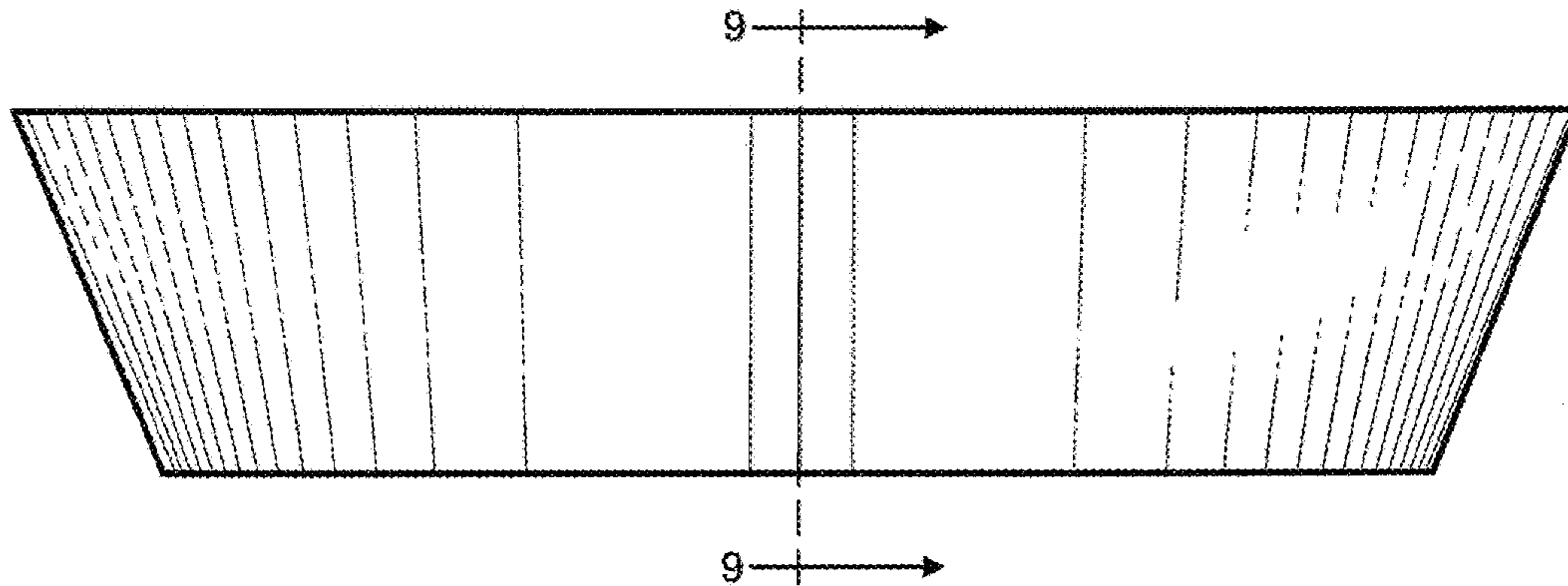


FIG. 6

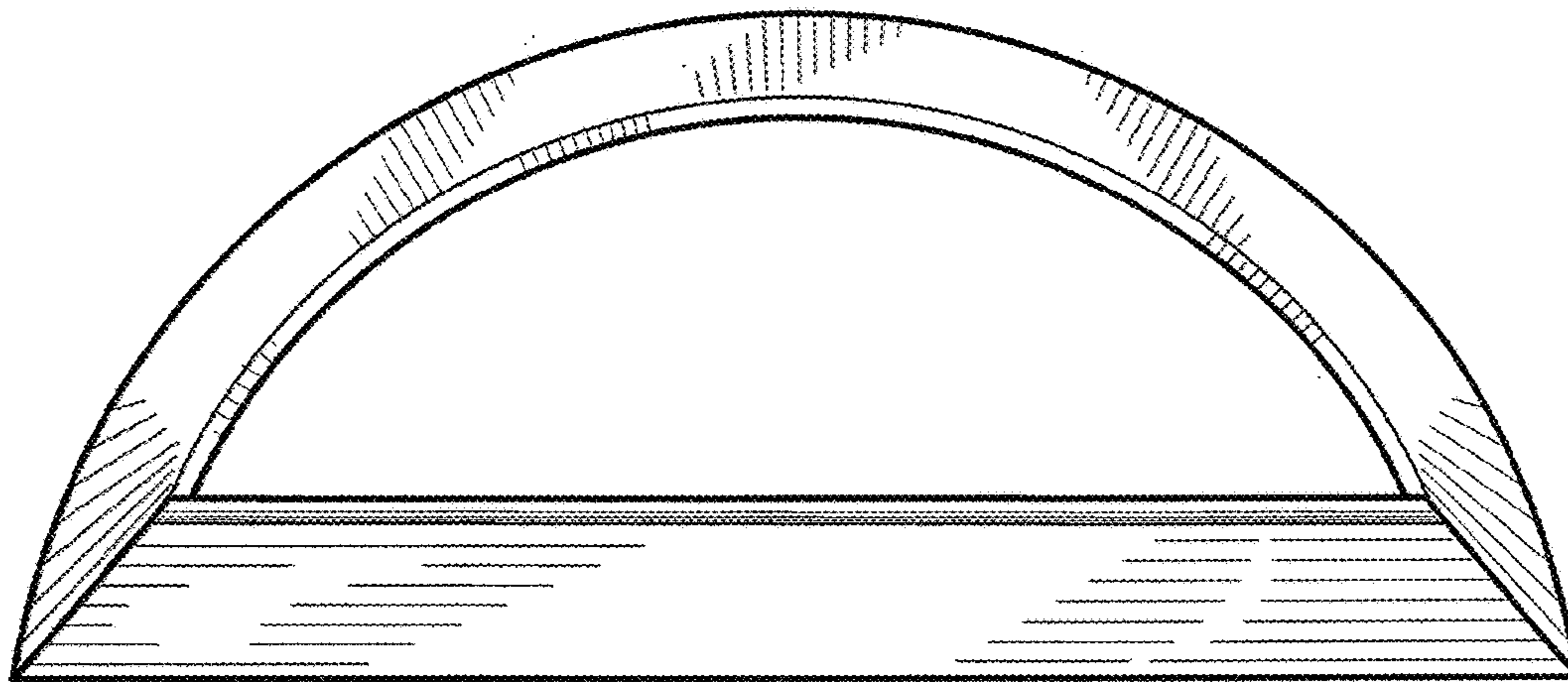


FIG. 7

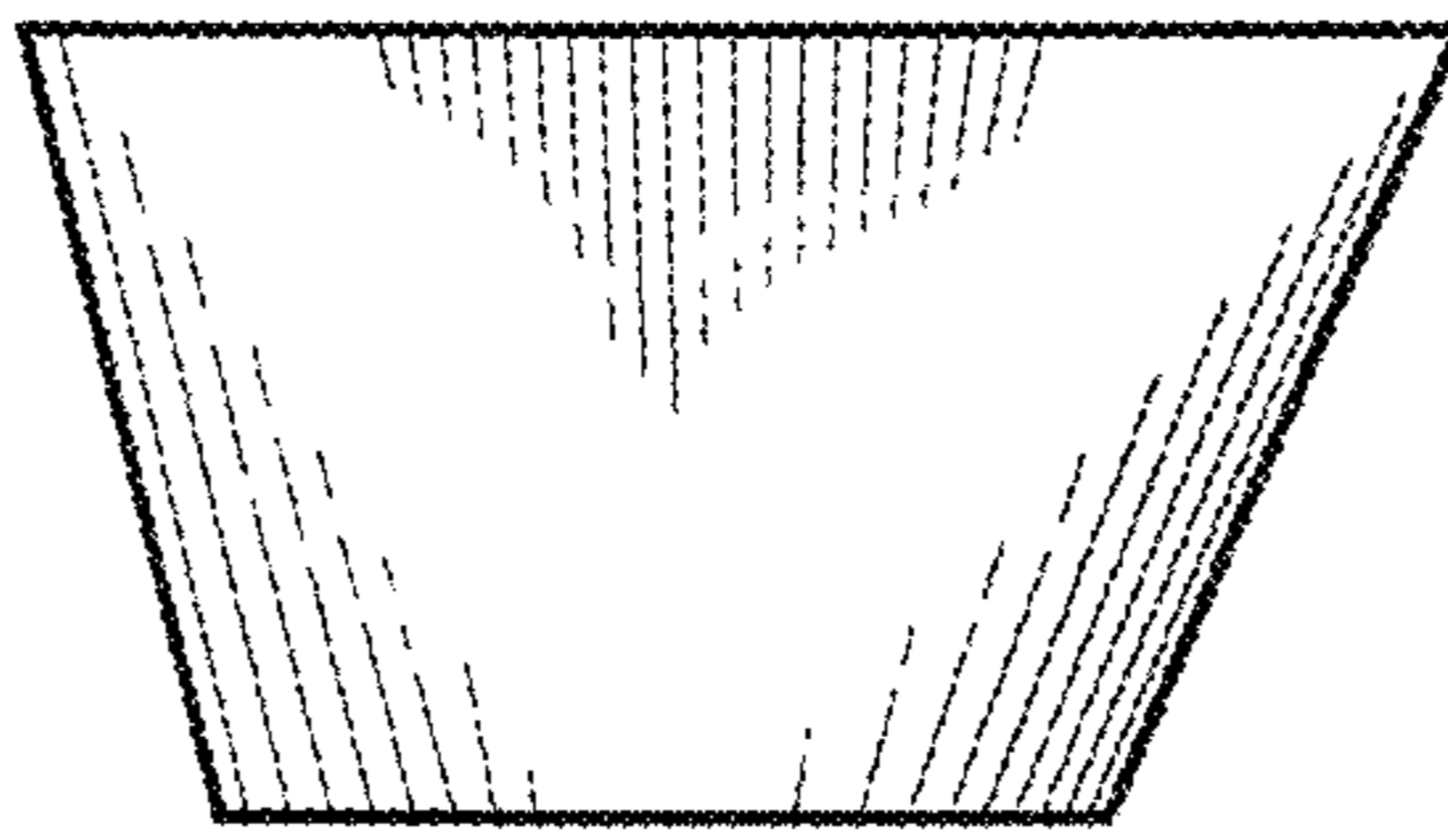


FIG. 8

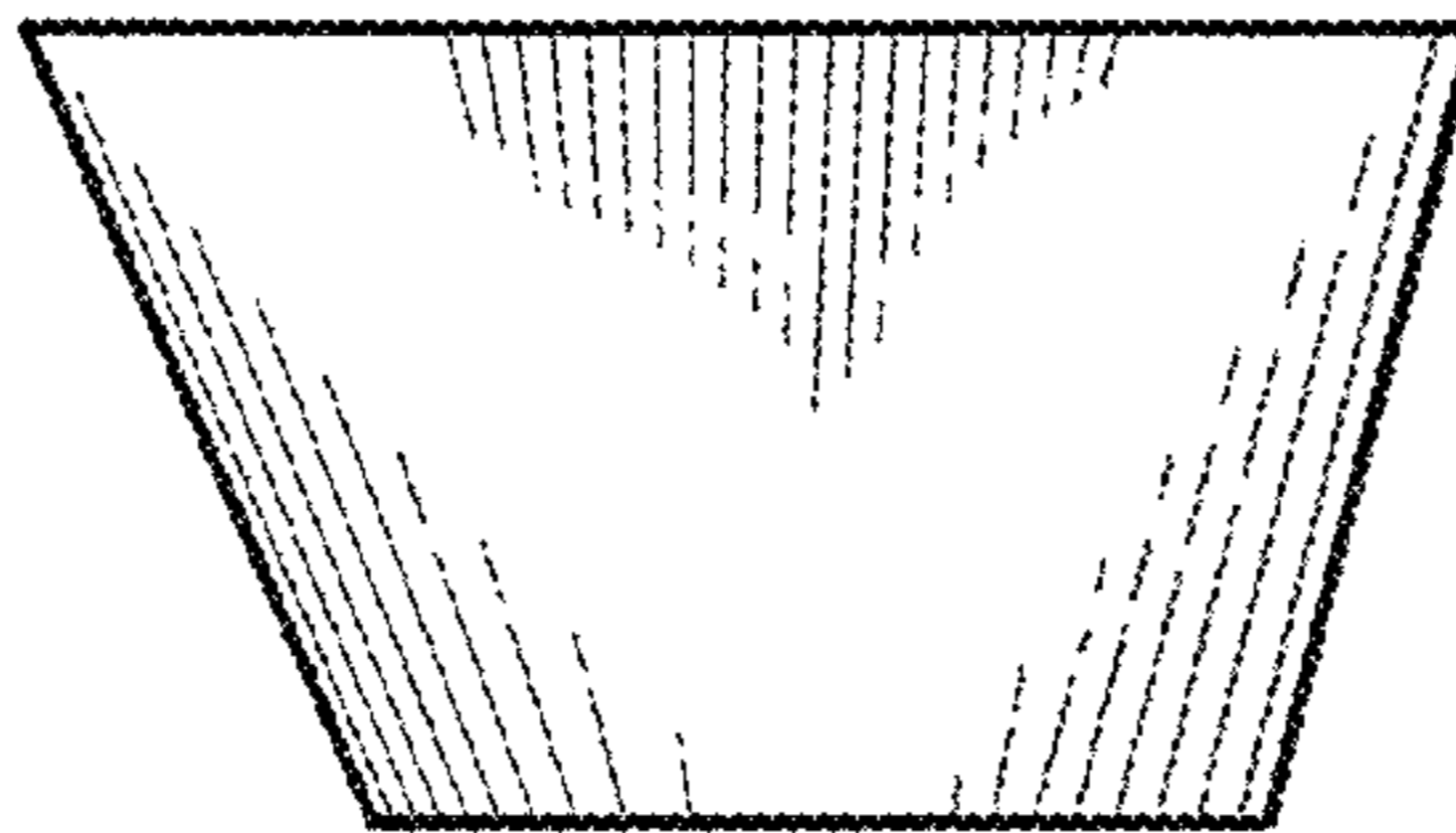


FIG. 9