



US00D789740S

(12) **United States Design Patent**
Shoemaker et al.

(10) **Patent No.:** **US D789,740 S**

(45) **Date of Patent:** **** Jun. 20, 2017**

(54) **OVEN CONTROL PANEL**

(71) Applicant: **Sears Brands, L.L.C.**, Hoffman Estates, IL (US)

(72) Inventors: **Anthony Shoemaker**, Bartlett, IL (US); **Jason Silverstein**, Hoffman Estates, IL (US); **Daniel Green**, Charlotte, NC (US); **Roddy Burgess**, Charlotte, NC (US)

(73) Assignee: **SEARS BRANDS, L.L.C.**, Hoffman Estates, IL (US)

(**) Term: **15 Years**

(21) Appl. No.: **29/528,402**

(22) Filed: **May 28, 2015**

(51) **LOC (10) Cl.** **07-02**

(52) **U.S. Cl.**
USPC **D7/406**

(58) **Field of Classification Search**
USPC D7/332-351, 362-367, 402-409;
D23/415

CPC F24C 3/00; F24C 3/08; F24C 3/008; F24C 15/00; F24C 15/0001

See application file for complete search history.

(56) **References Cited**

U.S. PATENT DOCUMENTS

D642,418 S *	8/2011	Kim	D7/340
D645,702 S *	9/2011	Baacke	D7/405
D654,758 S *	2/2012	Thimm	D7/334
D694,056 S *	11/2013	Dahle	D7/334
D696,069 S *	12/2013	Roberson	D7/405
D738,682 S *	9/2015	Roberson	D7/406
D741,104 S *	10/2015	Funnell, II	D7/348
D745,310 S *	12/2015	Funnell, II	D7/349

D745,311 S *	12/2015	Funnell, II	D7/349
D747,912 S *	1/2016	Funnell, II	D7/348
D748,424 S *	2/2016	Funnell, II	D7/348
D750,414 S *	3/2016	Funnell, II	D7/348
D751,854 S *	3/2016	Funnell, II	D7/349
D763,617 S *	8/2016	Kim	D7/339
D770,839 S *	11/2016	Shoemaker	D7/348
2012/0285437 A1 *	11/2012	Kim	F24C 15/04 126/200

* cited by examiner

Primary Examiner — Sheryl Lane

Assistant Examiner — Nicole Shiflet

(74) *Attorney, Agent, or Firm* — McAndrews, Held & Malloy, Ltd.

(57) **CLAIM**

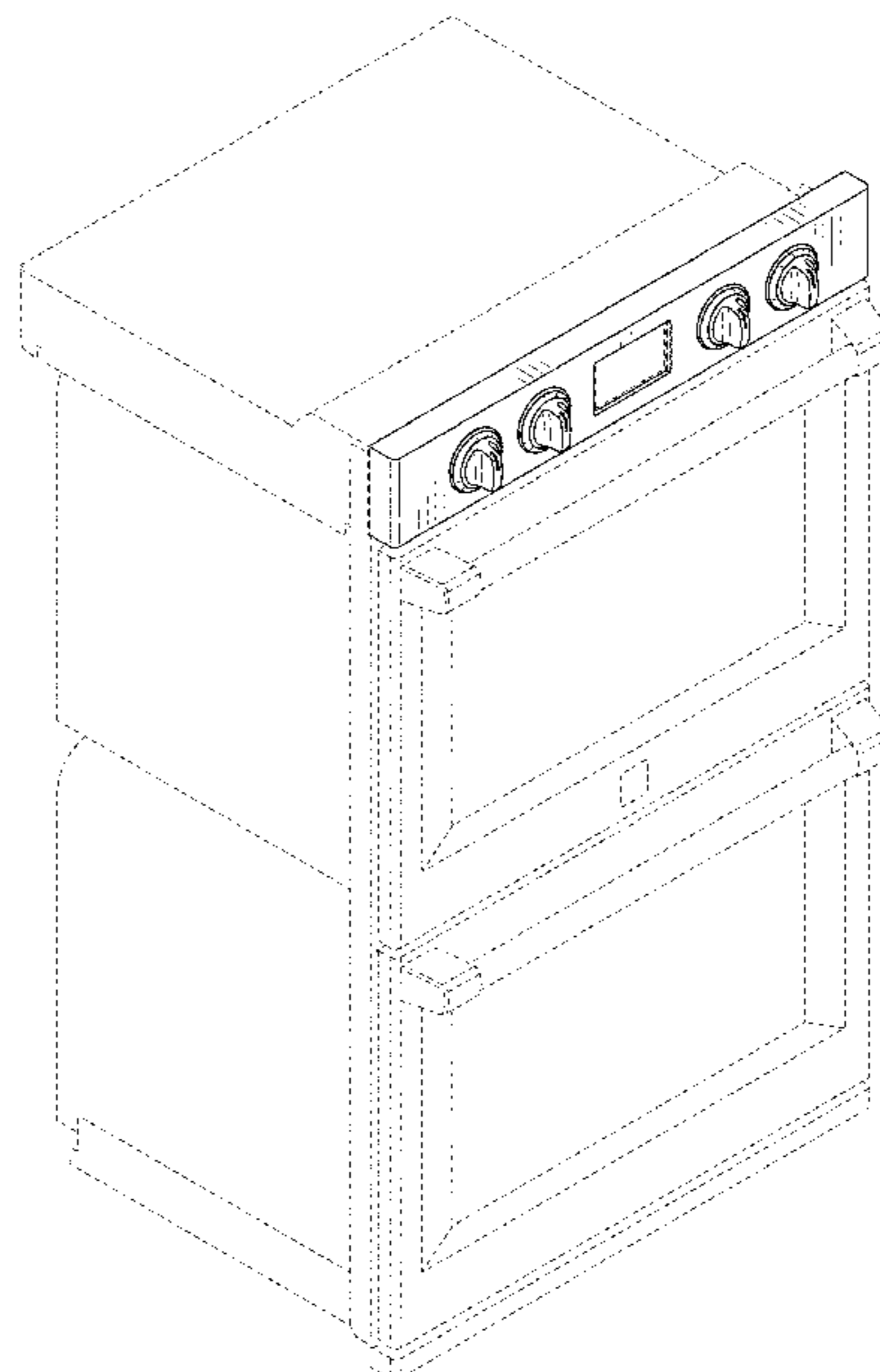
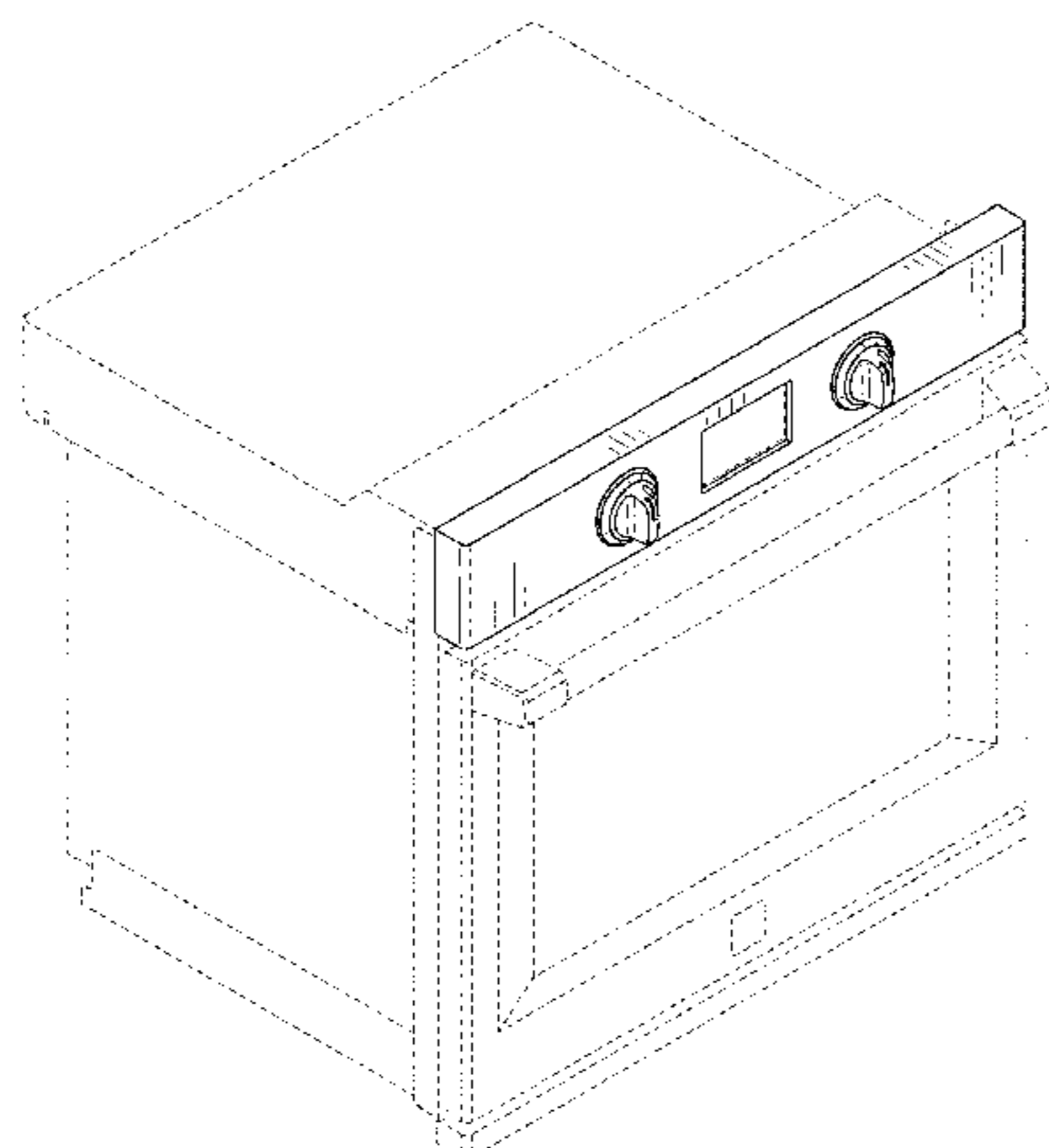
The ornamental design for an oven control panel, as shown and described.

DESCRIPTION

FIG. 1 is a top left front perspective view of a first embodiment of an oven control panel showing our new design; FIG. 2 is a front elevation view thereof; FIG. 3 is a right-side elevation view thereof; FIG. 4 is a left-side elevation view thereof; FIG. 5 is a top plan view thereof; FIG. 6 is a top left front perspective view of a second embodiment of an oven control panel showing our new design; FIG. 7 is a front elevation view thereof; FIG. 8 is a right-side elevation view thereof; FIG. 9 is a left-side elevation view thereof; and, FIG. 10 is a top plan view thereof.

The dashed broken lines in the drawings are for environmental purposes only and form no part of the claimed design.

1 Claim, 8 Drawing Sheets



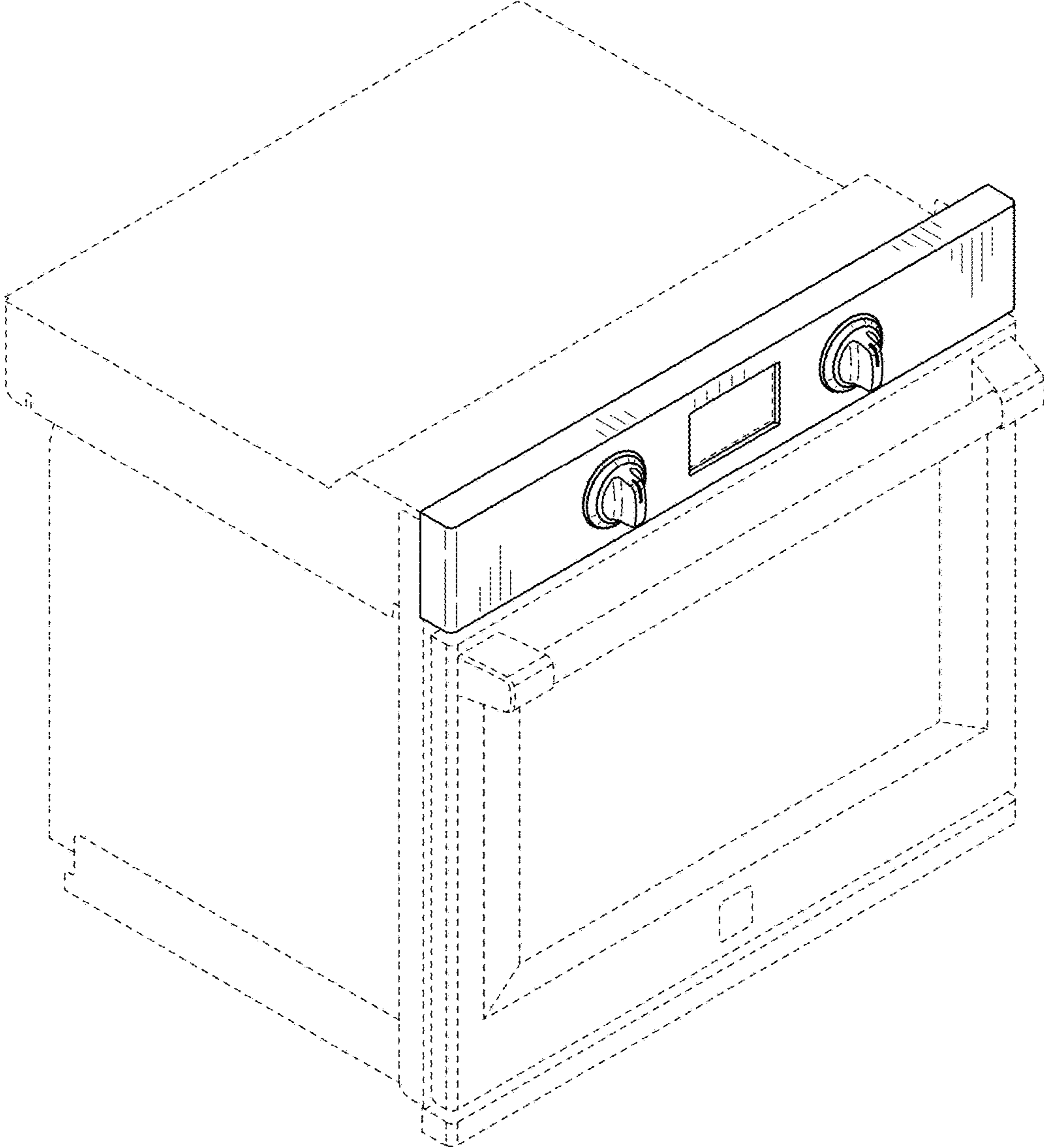


FIG. 1

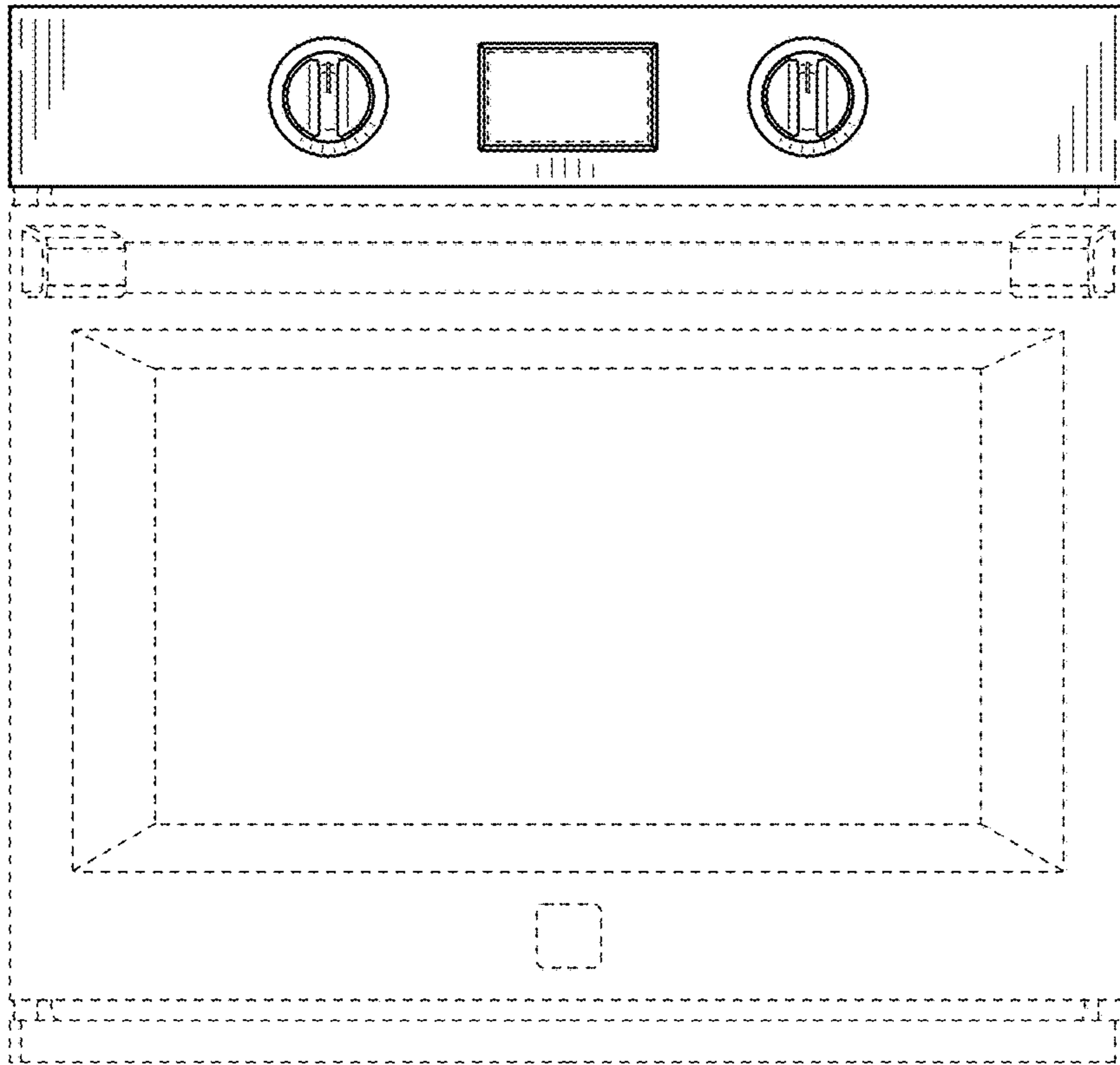


FIG. 2

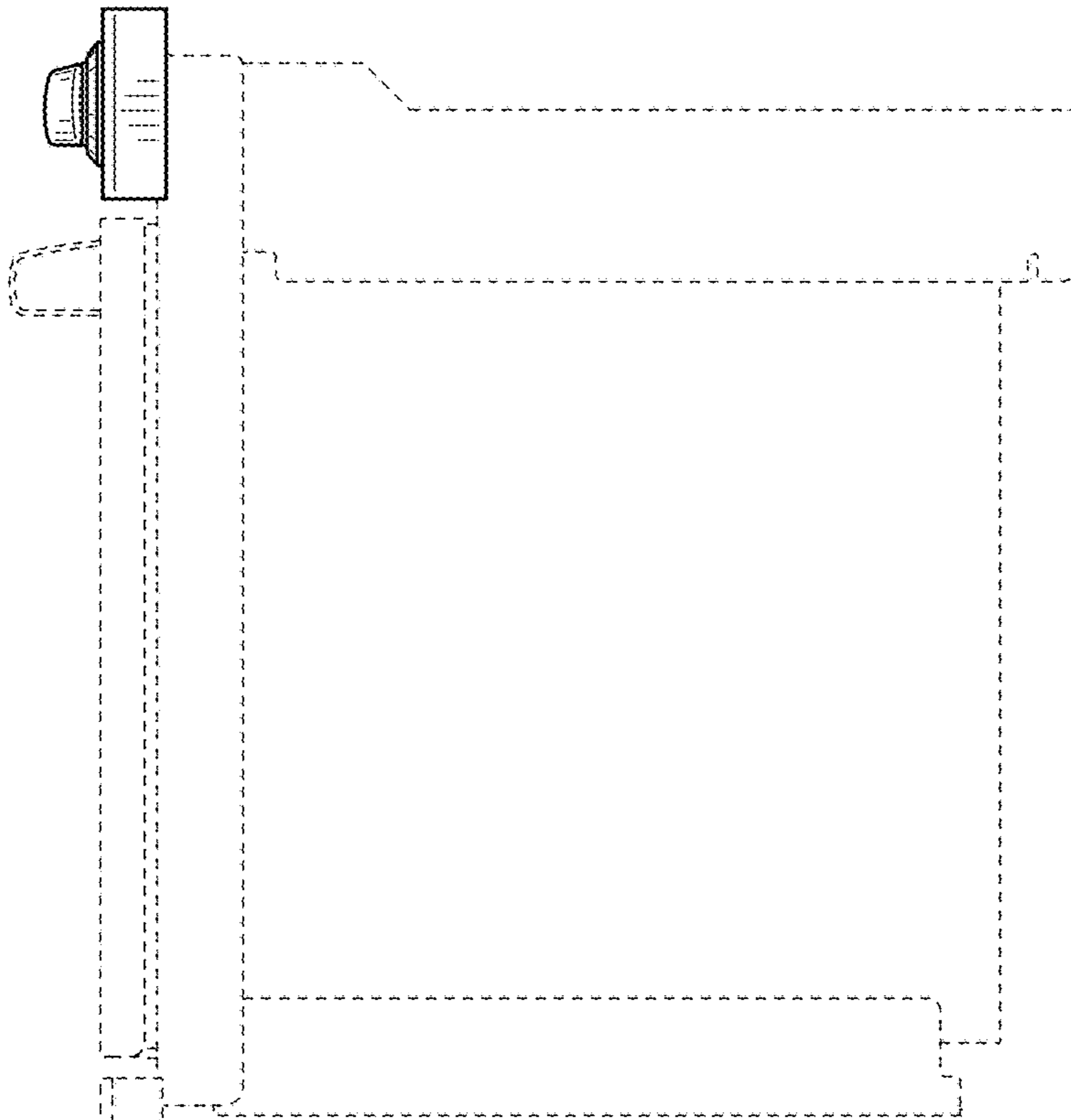


FIG. 3

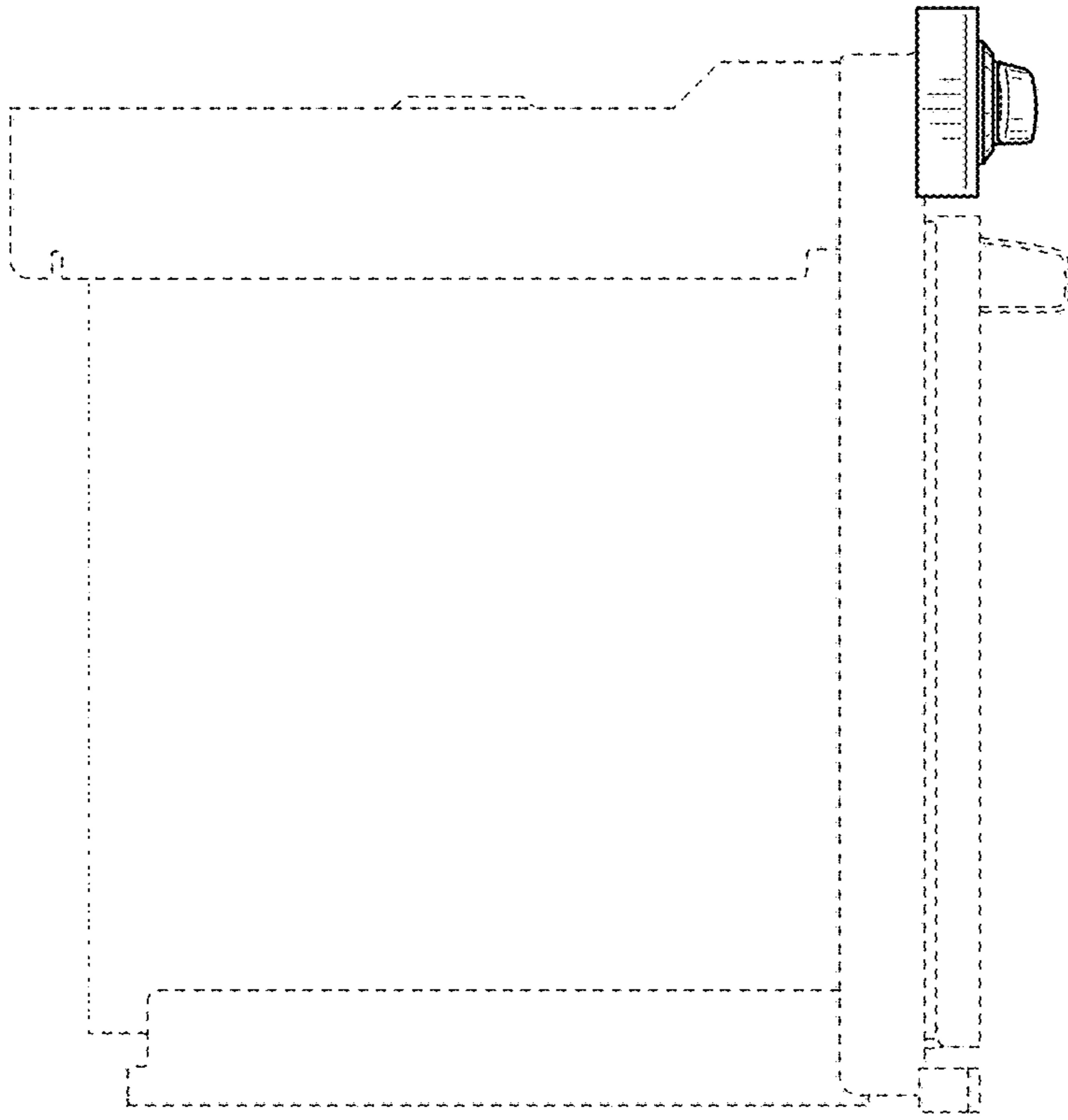


FIG. 4

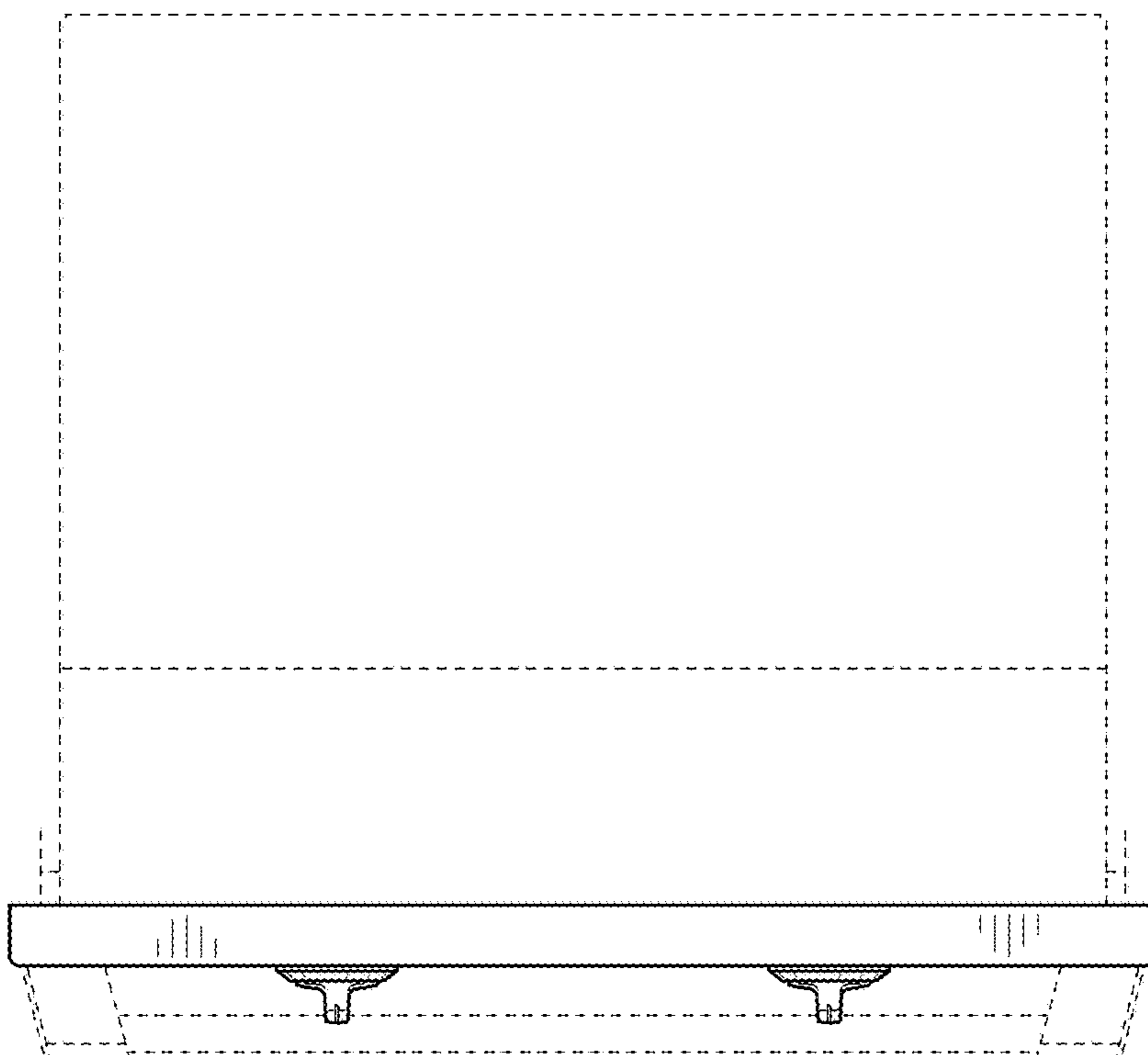


FIG. 5

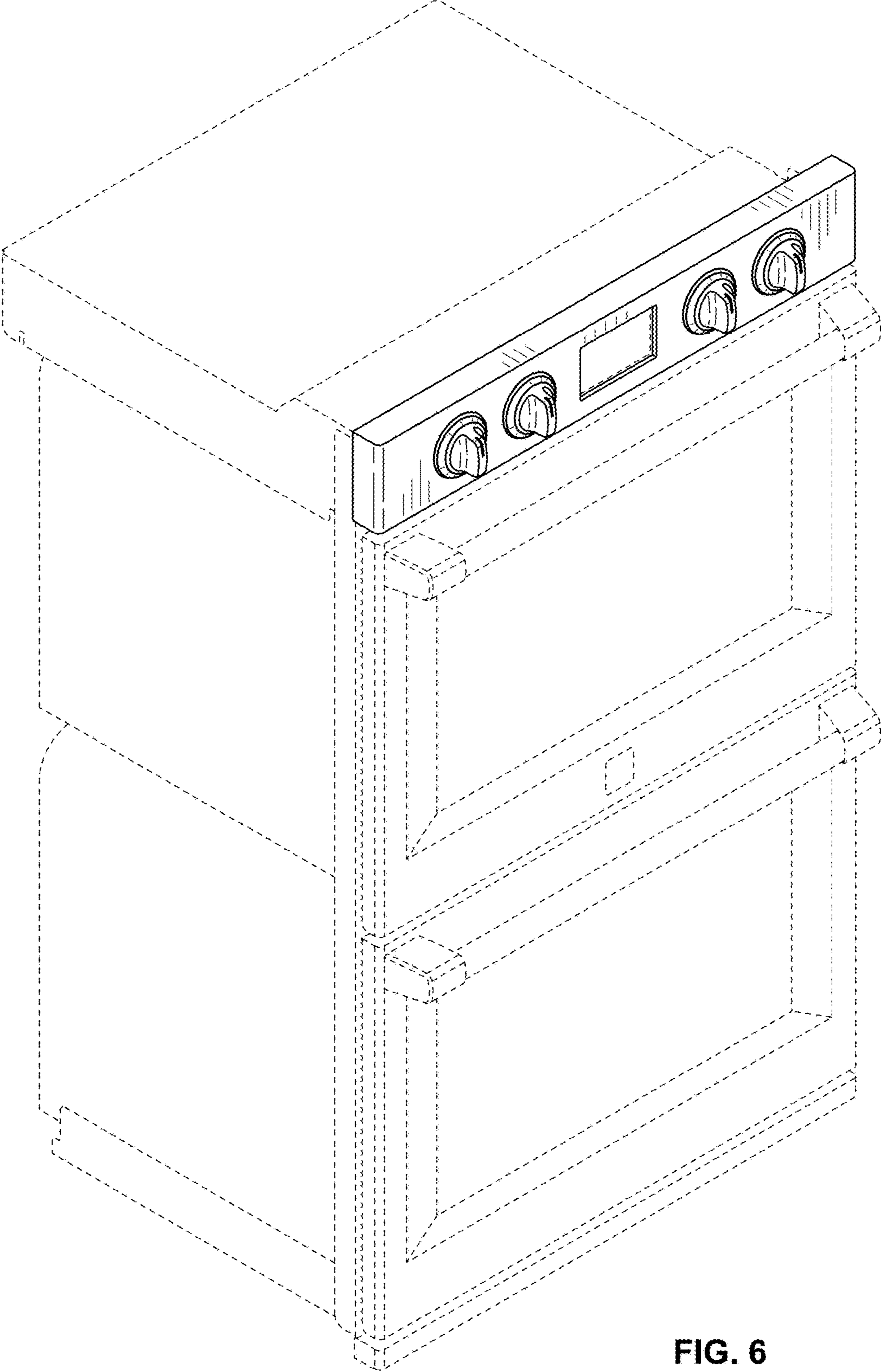


FIG. 6

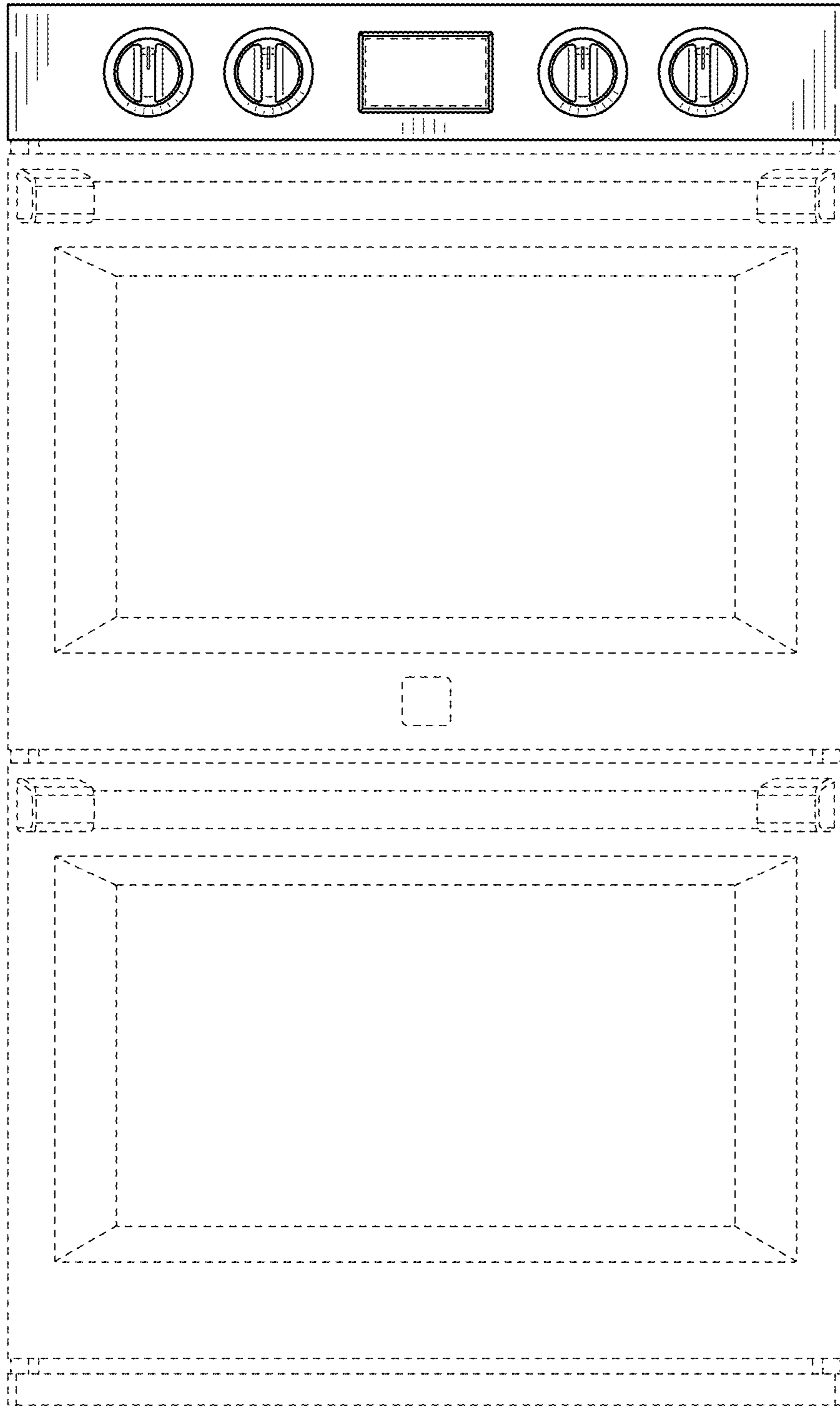


FIG. 7

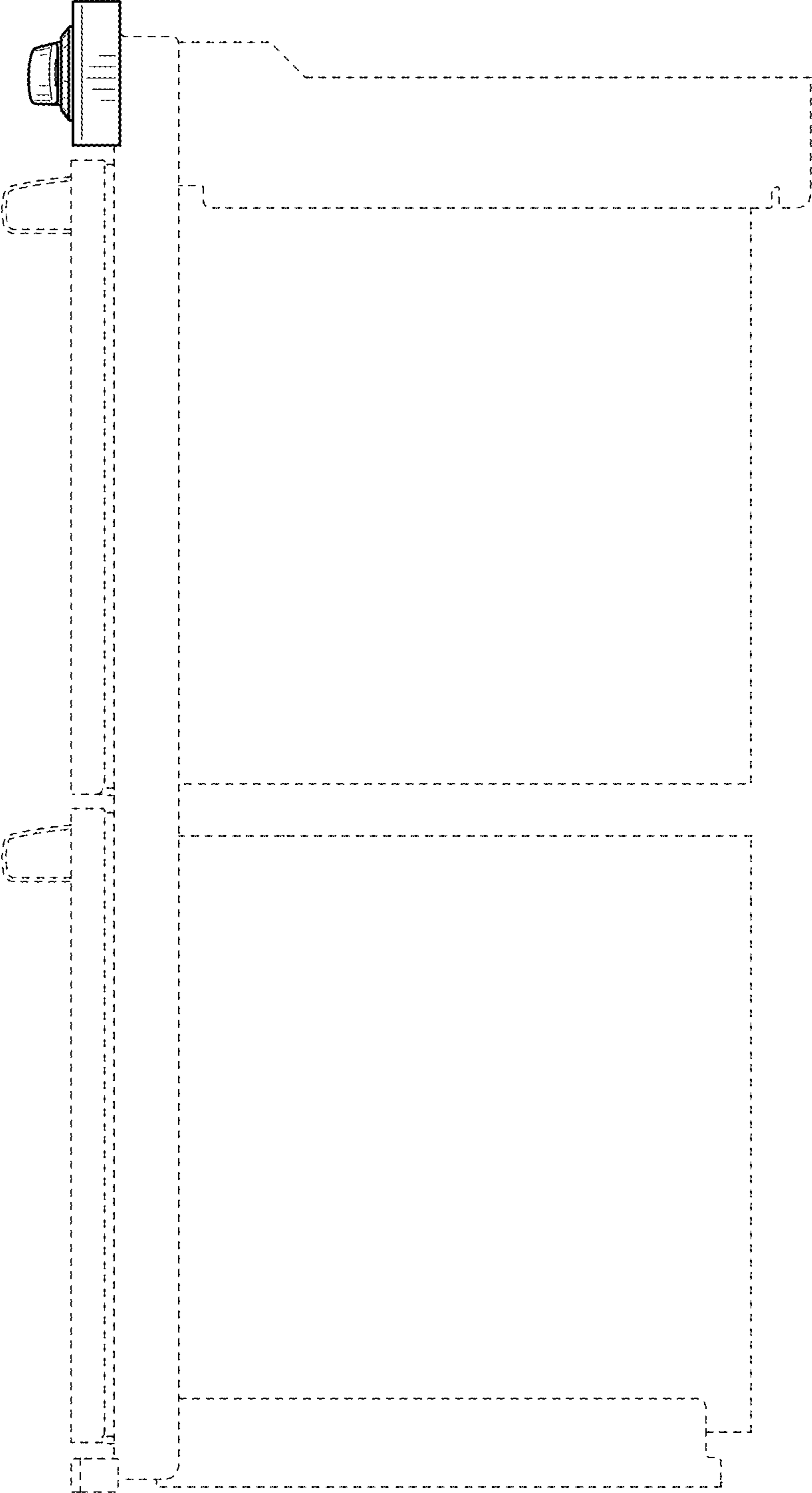


FIG. 8

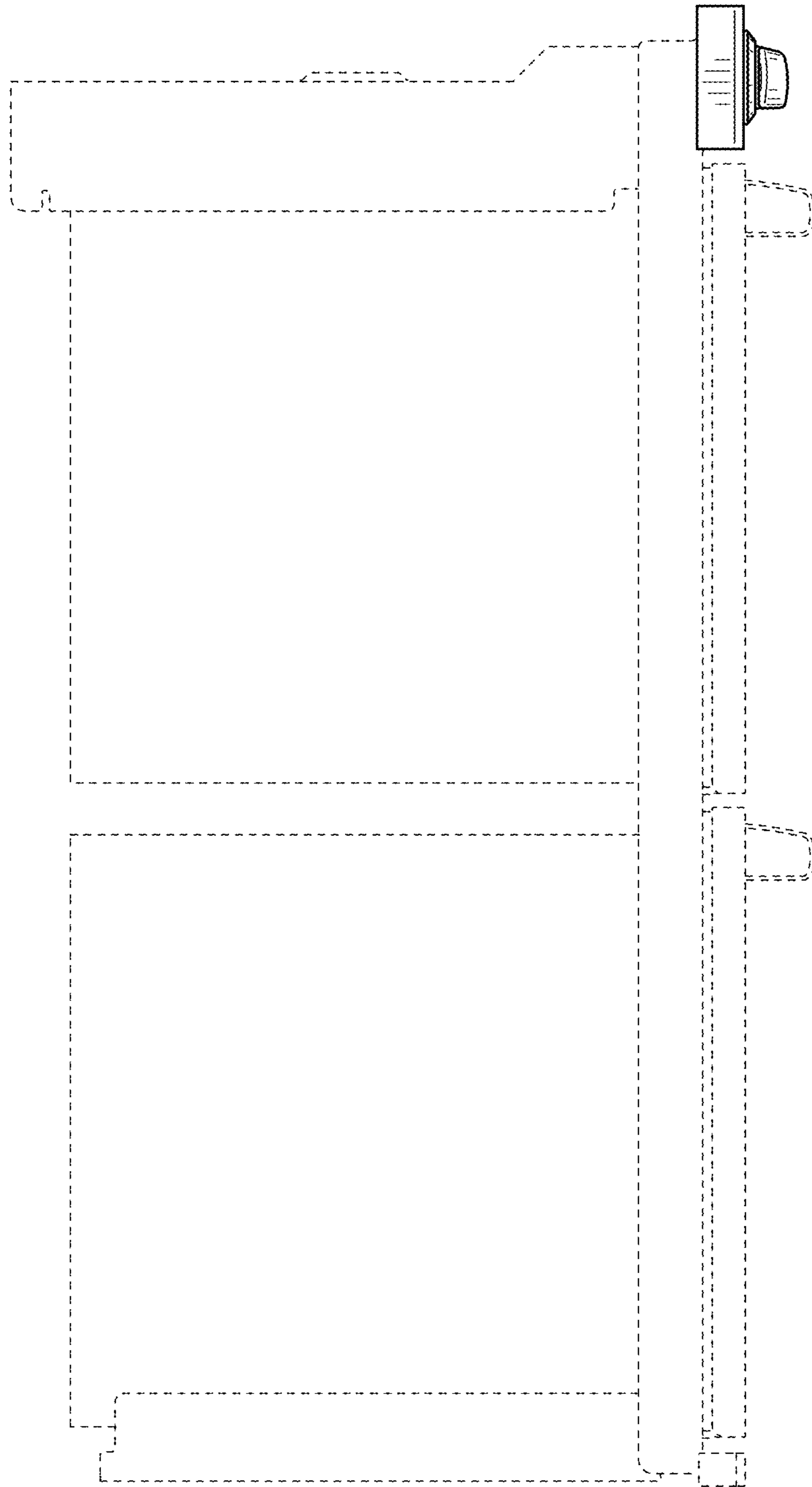


FIG. 9

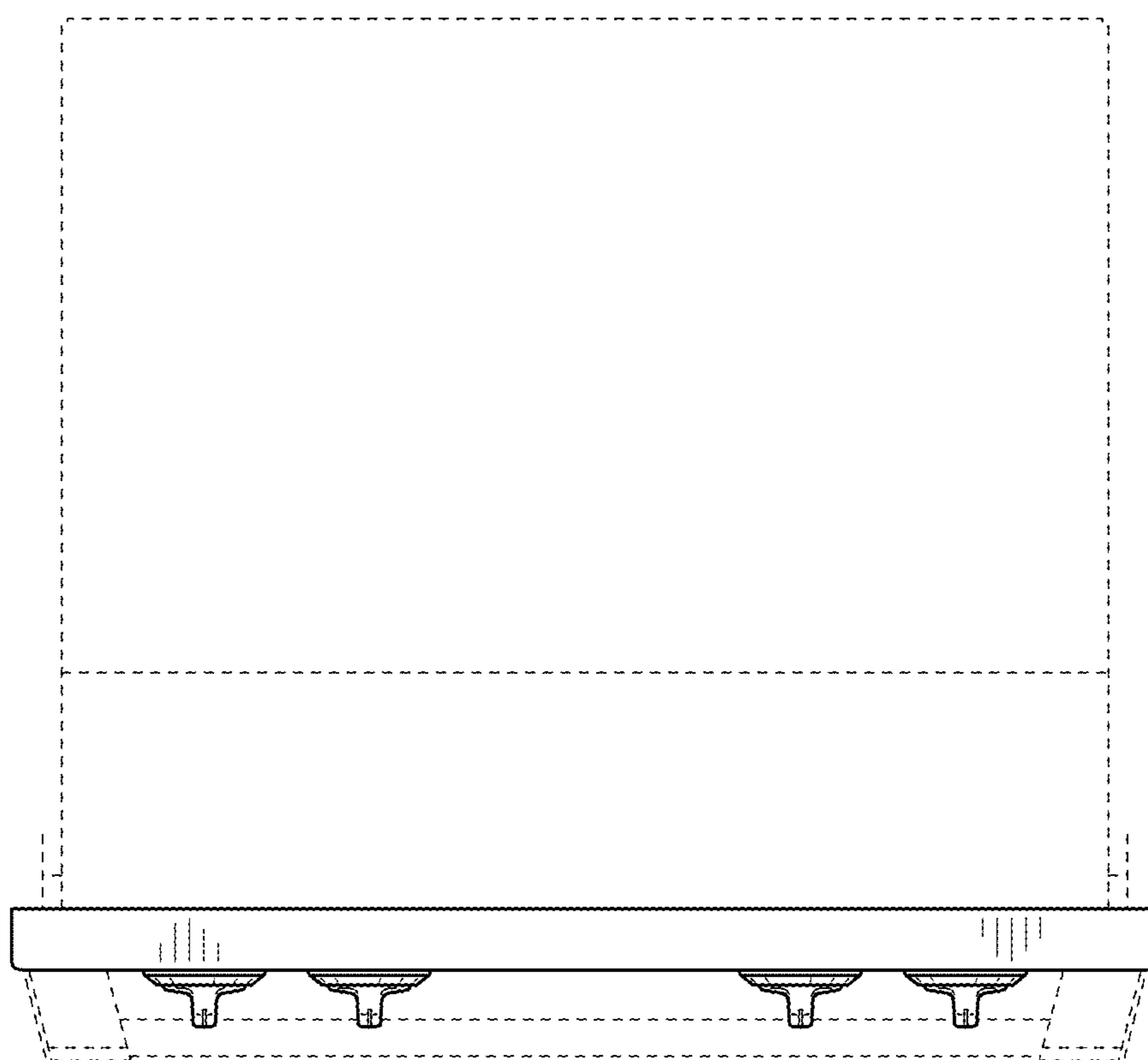


FIG. 10