



US00D789737S

(12) **United States Design Patent** (10) **Patent No.:** **US D789,737 S**
Eyal (45) **Date of Patent:** **** Jun. 20, 2017**

(54) **BEVERAGE CONTAINER LID**
(71) Applicant: **ETS EXPRESS, INC.**, Oxnard, CA (US)
(72) Inventor: **Sharon Eyal**, Oxnard, CA (US)
(73) Assignee: **ETS EXPRESS, INC.**, Oxnard, CA (US)
(**) Term: **15 Years**
(21) Appl. No.: **29/568,112**
(22) Filed: **Jun. 15, 2016**
(51) **LOC (10) Cl.** **07-02**
(52) **U.S. Cl.**
USPC **D7/396.2; D7/300.1**
(58) **Field of Classification Search**
USPC D7/392.1, 396.2, 510, 511; D9/434, 435, D9/438, 447, 449, 453, 520, 549, 726, D9/904, 905; 220/253, 254.3, 254.9, 268, 220/713, 812, 906.1
CPC B65D 43/00; B65D 43/142; B65D 47/08; B65D 41/04; B65D 39/00
See application file for complete search history.

D691,416 S * 10/2013 Eyal D7/396.2
D707,492 S * 6/2014 George D7/510
D721,535 S * 1/2015 Chapman D7/396.2
D721,540 S * 1/2015 Grcic D7/511
D739,174 S * 9/2015 Elsaden D7/392.1
D761,618 S * 7/2016 Lapsker D7/392.1

* cited by examiner

Primary Examiner — Daniel Bui
Assistant Examiner — Andrew Kerr
(74) *Attorney, Agent, or Firm* — Kleinberg & Lerner, LLP; Marvin H. Kleinberg; Marshall A. Lerner

(57) **CLAIM**

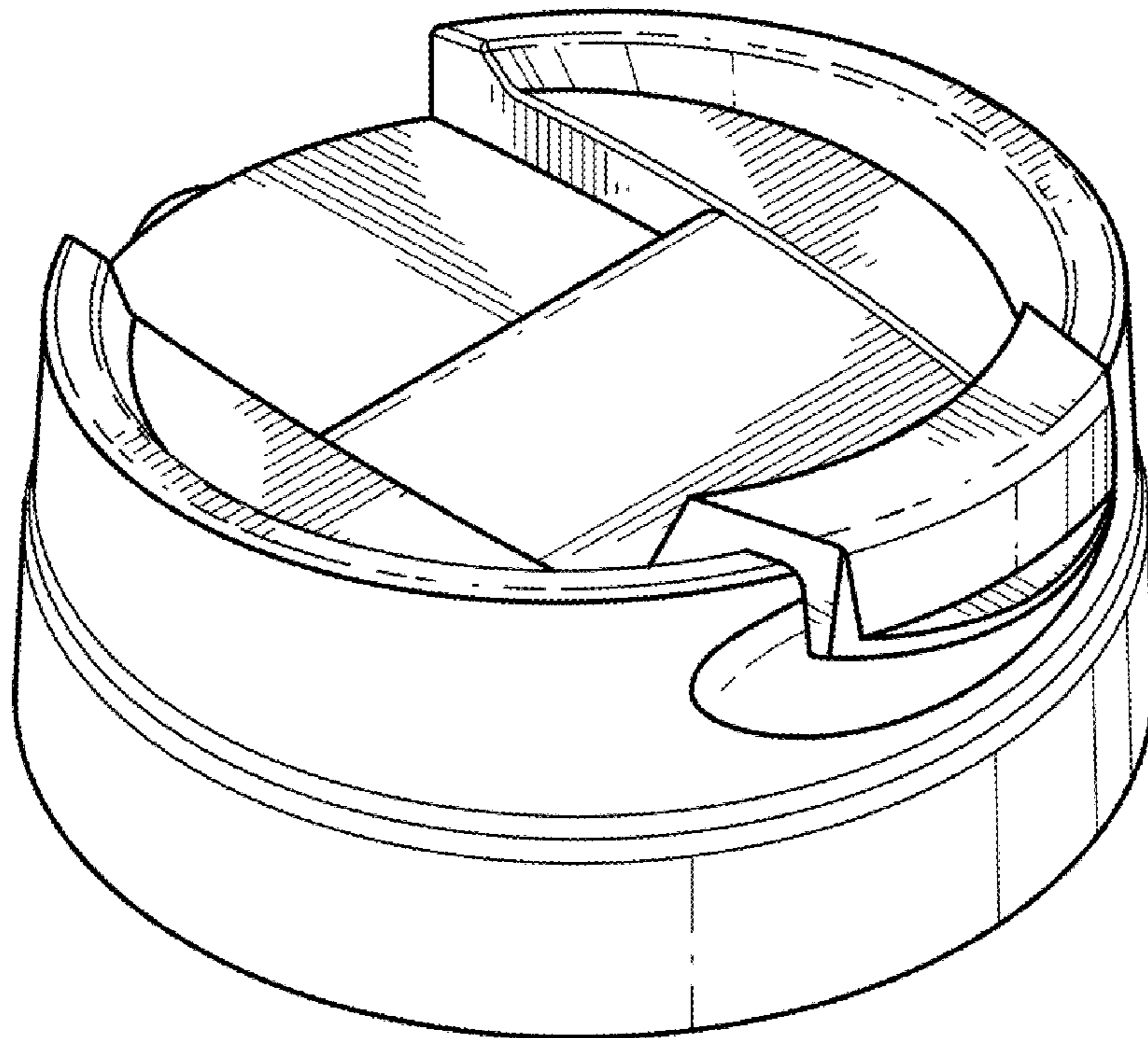
The ornamental design for a beverage container lid, as shown and described.

DESCRIPTION

FIG. 1 is a perspective view of a beverage container lid showing my new design;
FIG. 2 is a left side view thereof;
FIG. 3 is a right side view thereof;
FIG. 4 is a front view of thereof;
FIG. 5 is a rear view thereof;
FIG. 6, is a top view thereof; and,
FIG. 7 is a bottom view thereof.
The broken lines in the drawing views represent unclaimed portions of a beverage container lid, which are included for the purpose of illustrating unclaimed environment only, and form no part of the claimed design.

(56) **References Cited**
U.S. PATENT DOCUMENTS
D504,796 S * 5/2005 Schuler D7/392.1
D644,060 S * 8/2011 Komeiji D7/392.1
D658,431 S * 5/2012 Gilbert D7/392.1

1 Claim, 3 Drawing Sheets



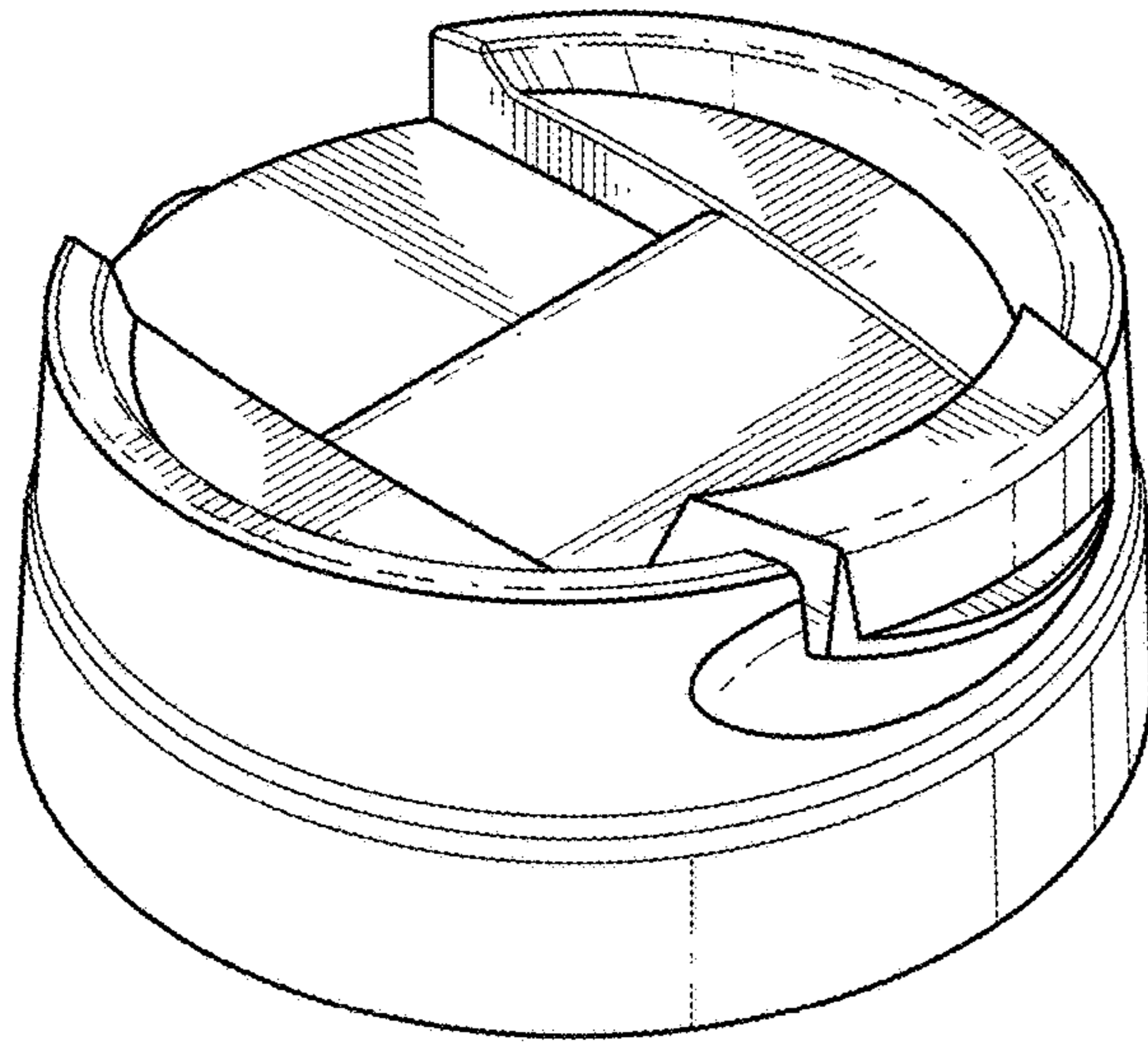


FIG. 1

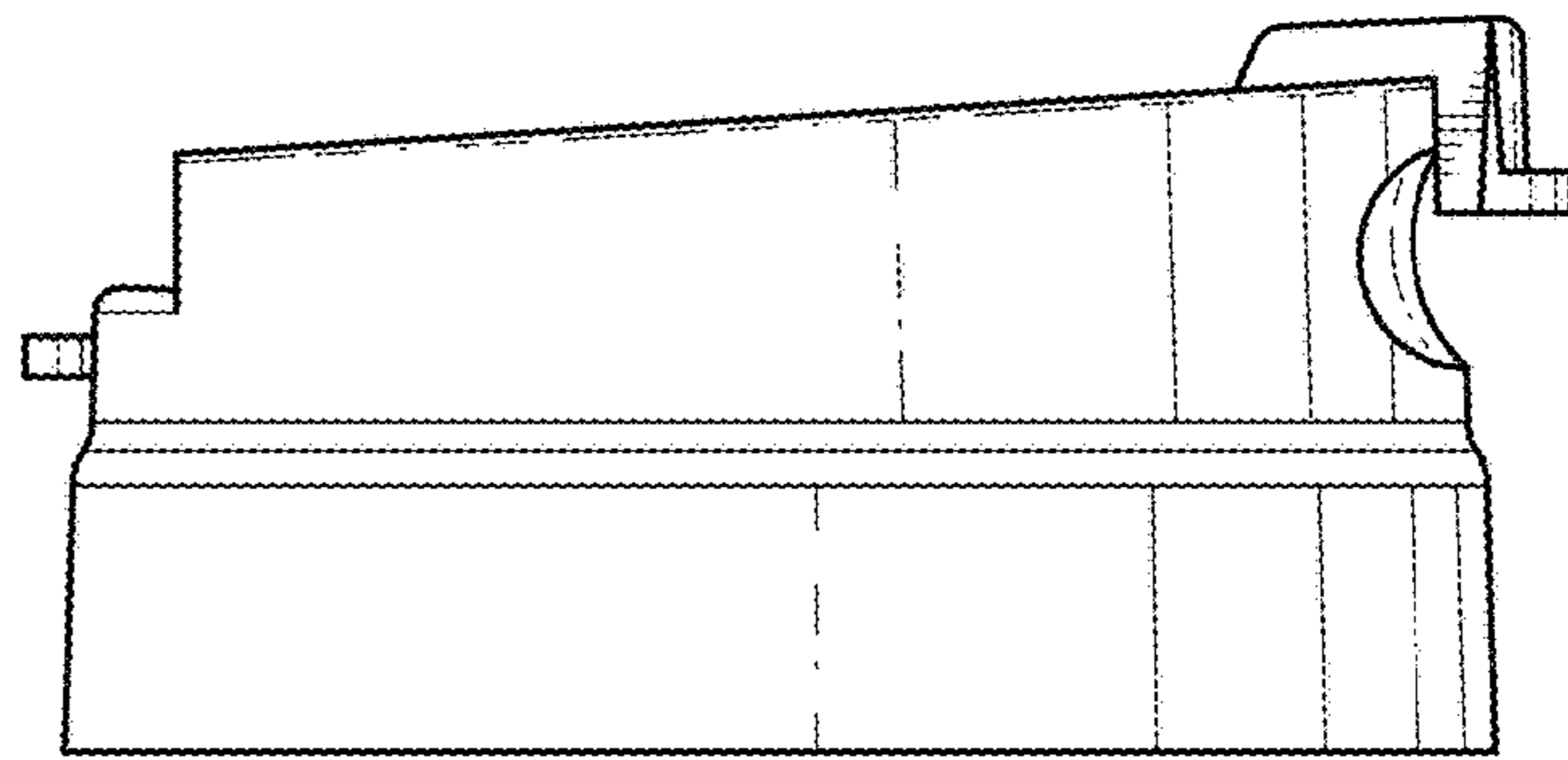


FIG. 2

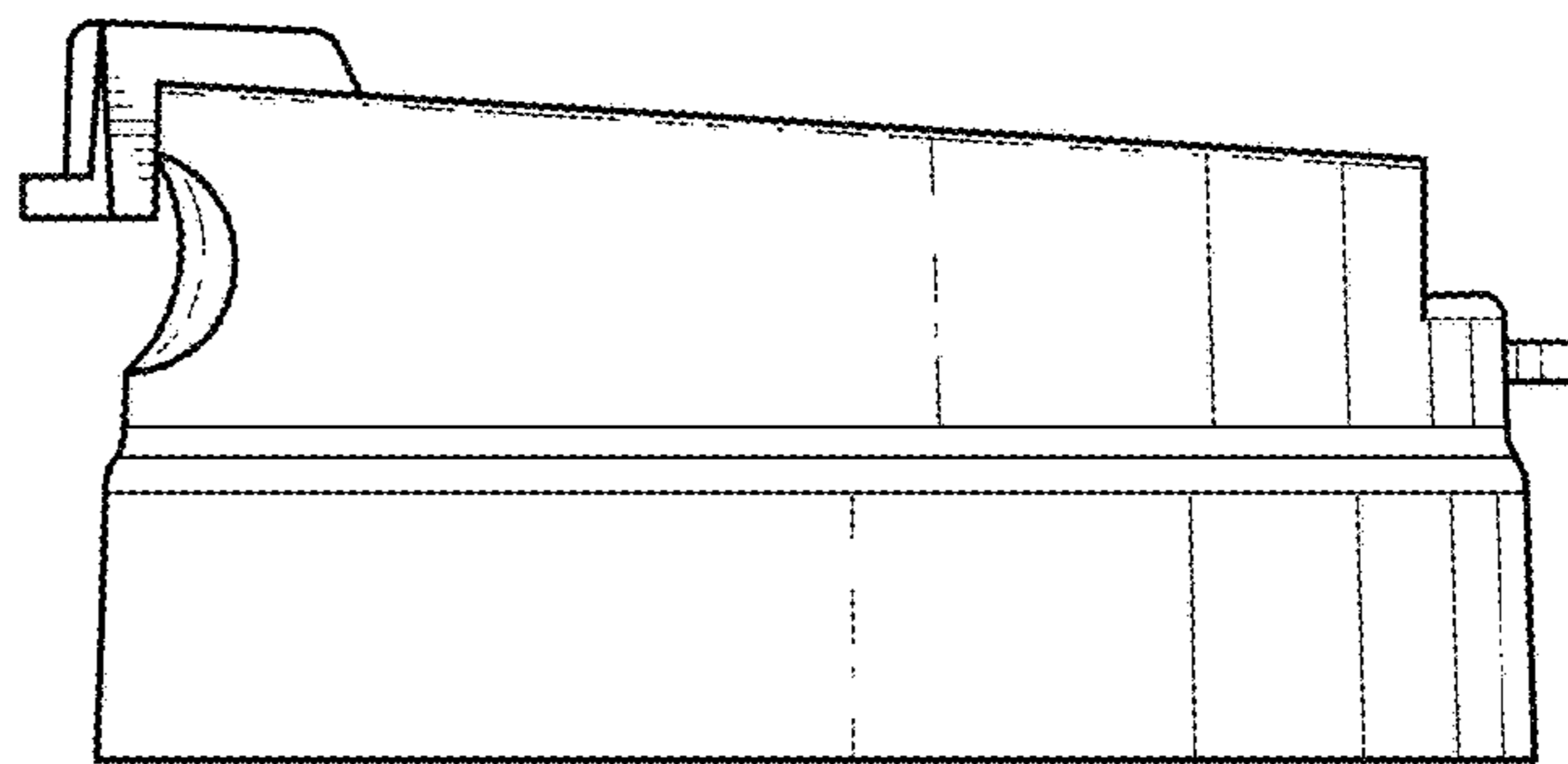


FIG. 3

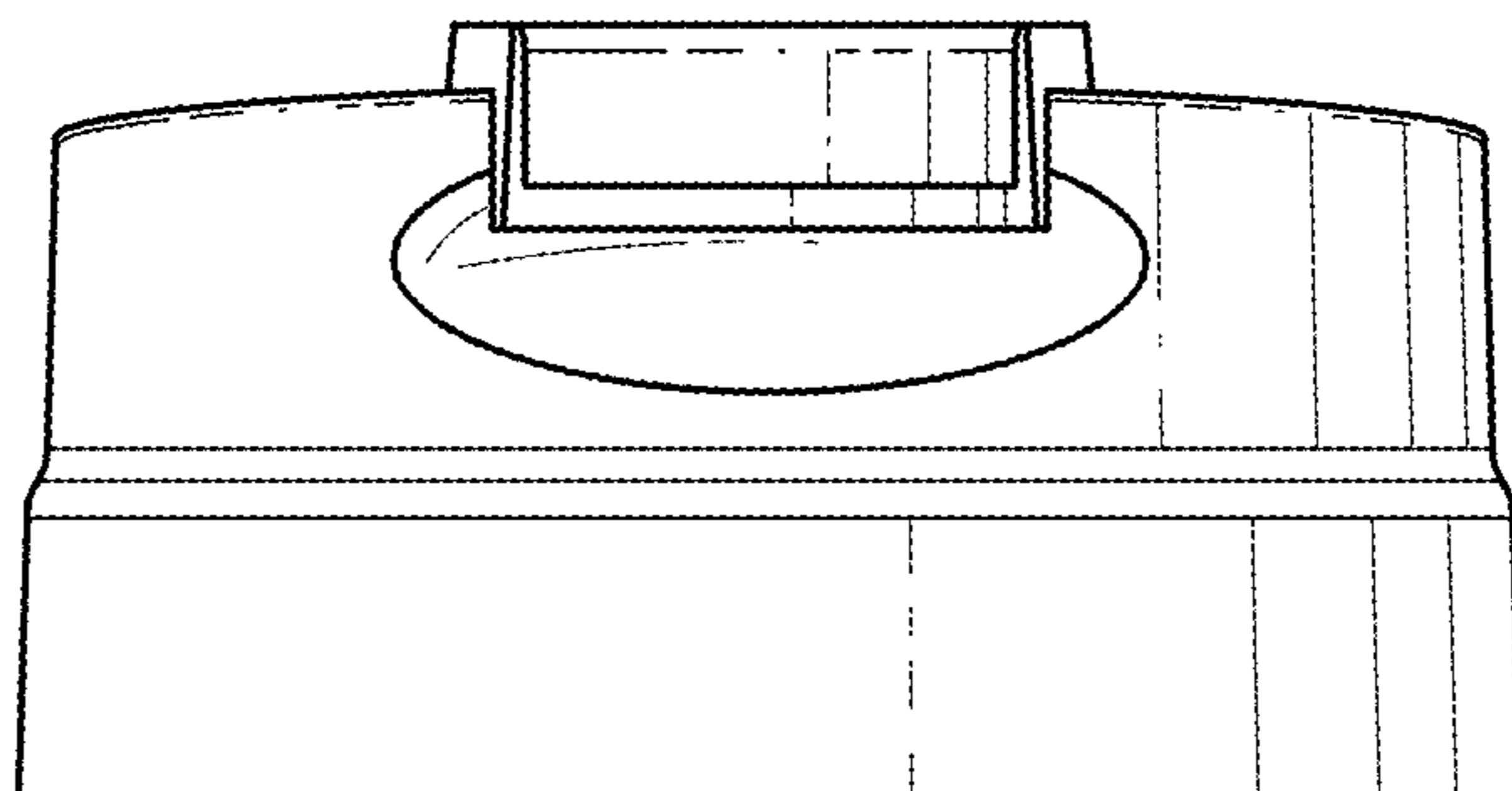


FIG. 4

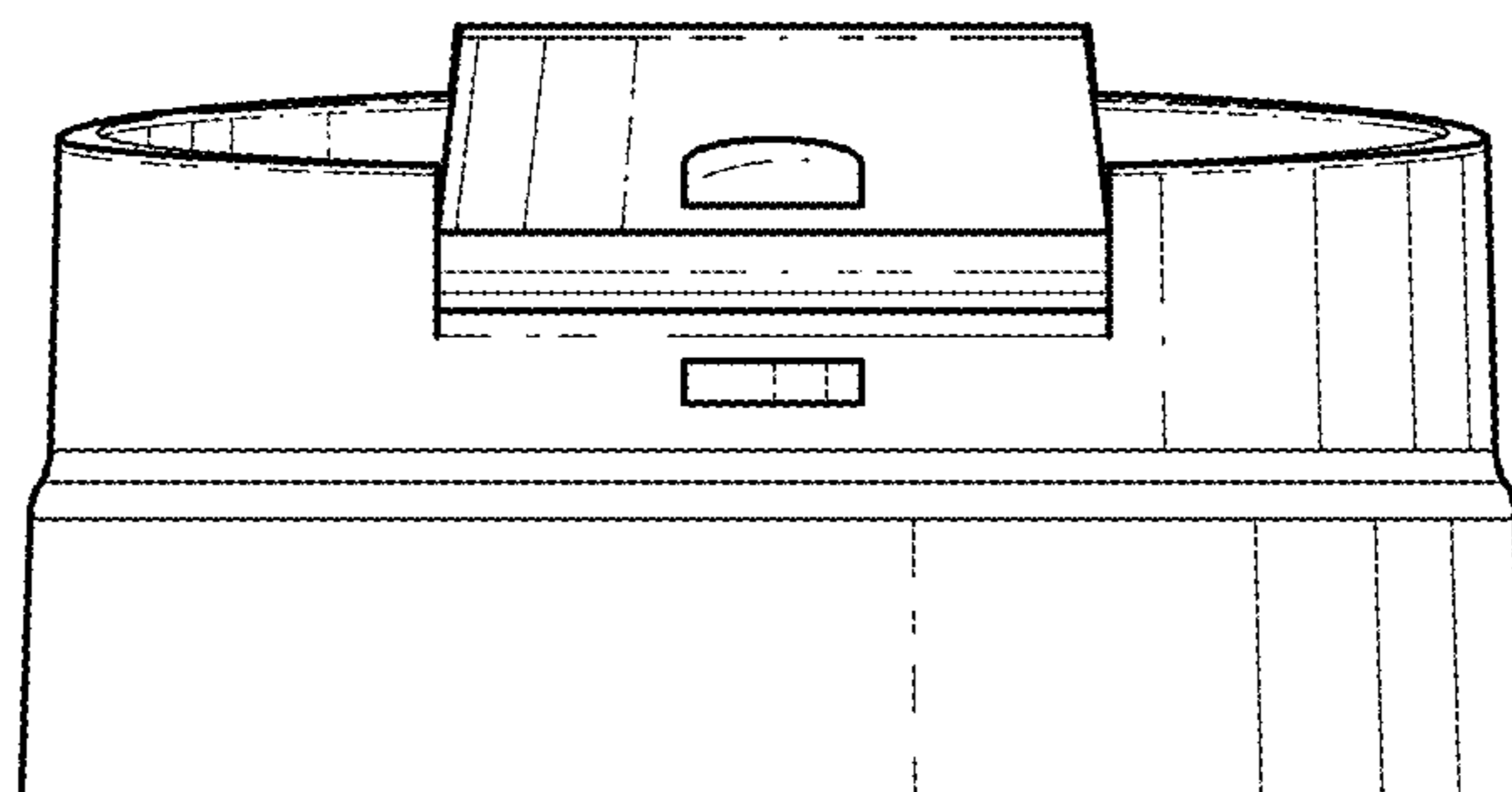


FIG. 5

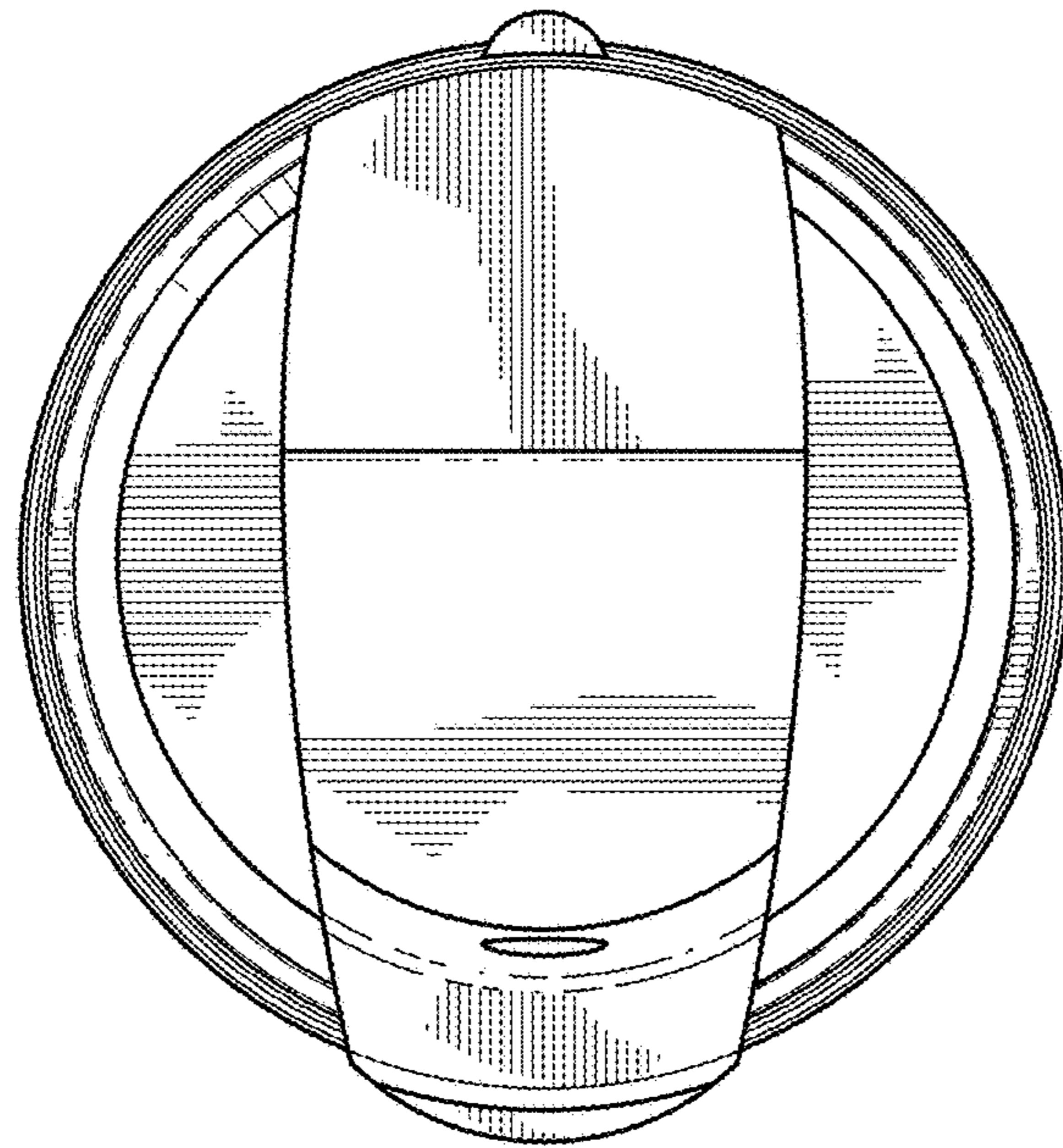


FIG. 6

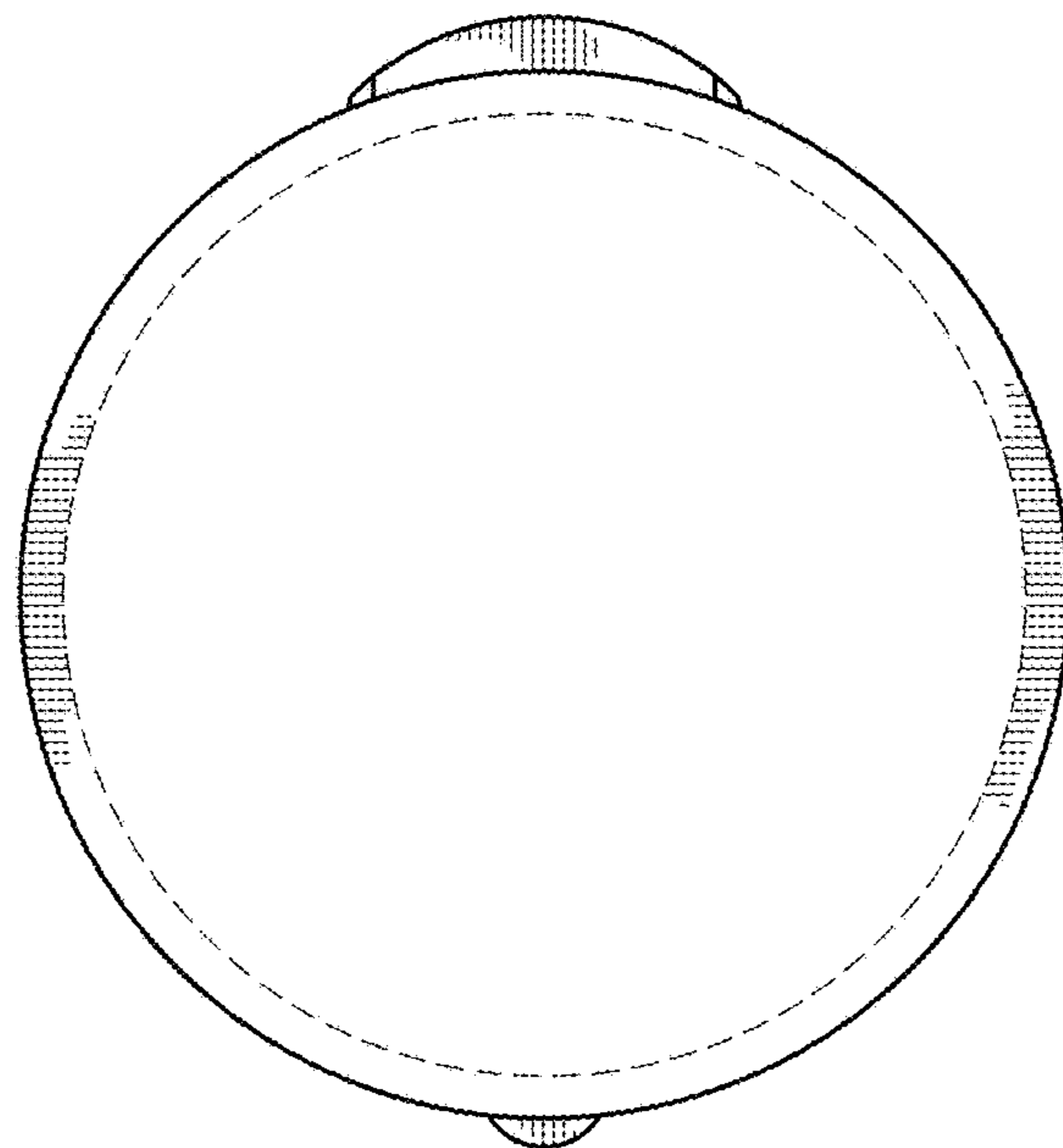


FIG. 7