



US00D789736S

(12) **United States Design Patent**
Palermo et al.

(10) **Patent No.:** **US D789,736 S**
(45) **Date of Patent:** **** Jun. 20, 2017**

(54) **APPLIANCE BASE**

(71) Applicant: **Sunbeam Products, Inc.**, Boca Raton, FL (US)

(72) Inventors: **Joseph Palermo**, Boynton Beach, FL (US); **Scott Henderson**, Brooklyn, NY (US)

(73) Assignee: **Sunbeam Products, Inc.**, Boca Raton, FL (US)

(**) Term: **15 Years**

(21) Appl. No.: **29/569,592**

(22) Filed: **Jun. 29, 2016**

(51) **LOC (10) Cl.** **31-00**

(52) **U.S. Cl.**
USPC **D7/386**; D7/376; D7/378; D7/384

(58) **Field of Classification Search**
CPC .. A21C 1/02; A21C 1/04; A47J 43/044; A47J 43/046; A47J 43/075; A47J 43/0722; A47J 43/0727; A47J 43/07; A23N 1/00; A23N 1/02
See application file for complete search history.

(56) **References Cited**

U.S. PATENT DOCUMENTS

D625,143 S * 10/2010 Moore D7/376
D668,100 S * 10/2012 Palermo D7/376

D669,304 S * 10/2012 Bock D7/376
D677,976 S * 3/2013 Palermo D7/376
D678,726 S * 3/2013 Palermo D7/376
D689,734 S * 9/2013 Bock D7/376
D690,152 S * 9/2013 Palermo D7/376
D704,502 S * 5/2014 Coakley D7/376
D716,602 S * 11/2014 Thai D7/376
D730,683 S * 6/2015 Tu D7/376
D742,172 S * 11/2015 Dickson, Jr. D7/376
D755,003 S * 5/2016 Palermo D7/376
D765,465 S * 9/2016 Du D7/376
D773,247 S * 12/2016 Barquin D7/376

* cited by examiner

Primary Examiner — Caron D Veynar

Assistant Examiner — Mehri Bajoul

(74) *Attorney, Agent, or Firm* — Mike Corrigan

(57) **CLAIM**

The ornamental design for the appliance base, as shown and described.

DESCRIPTION

FIG. 1 is a front perspective view of the appliance base; FIG. 2 is a front view thereof; FIG. 3 is a rear view thereof; FIG. 4 is a left side view thereof; FIG. 5 is a right side view thereof; and, FIG. 6 is a top view thereof. The broken lines depict portions of the appliance base that form no part of the claimed design.

1 Claim, 3 Drawing Sheets

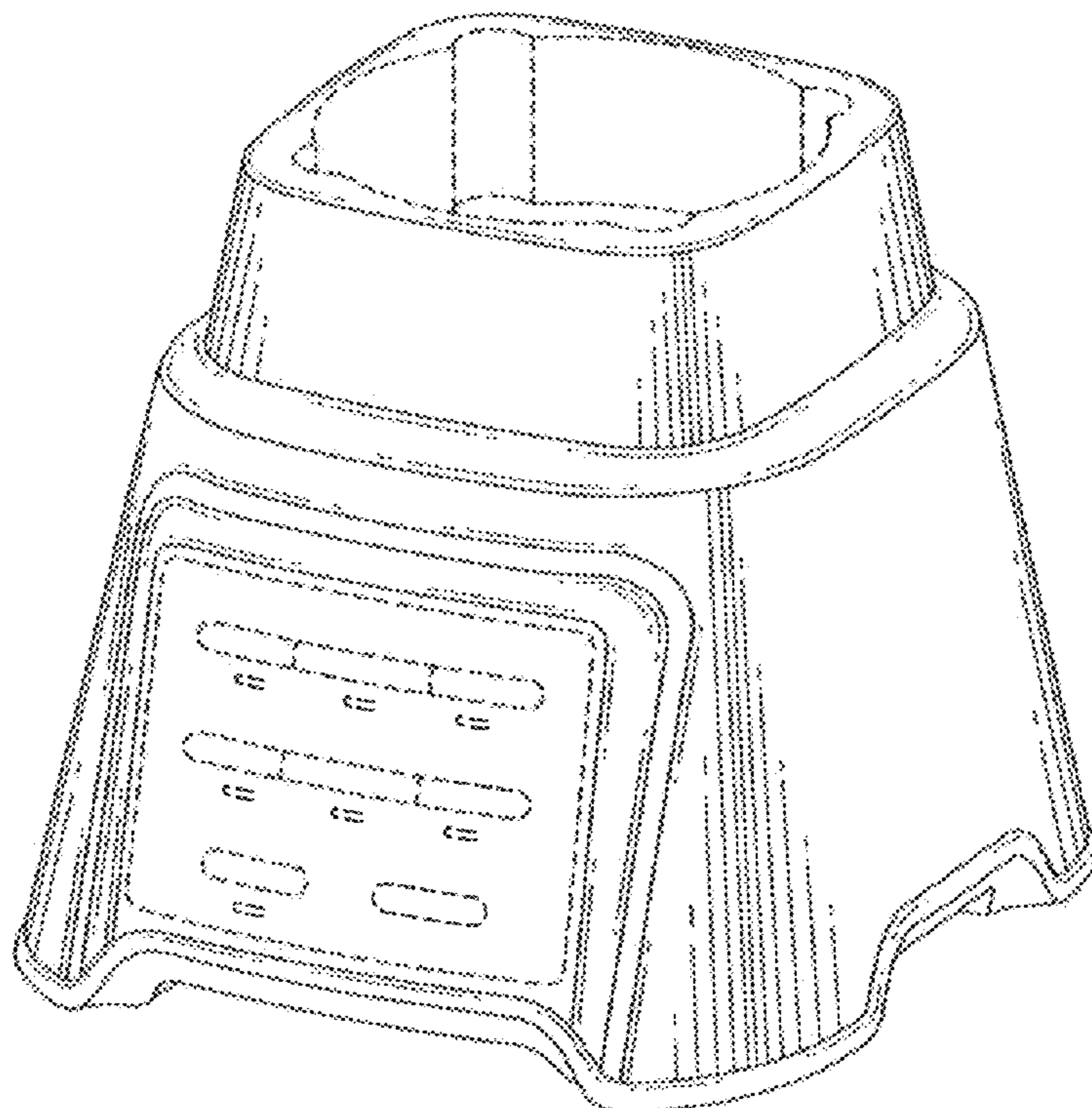


FIG. 1

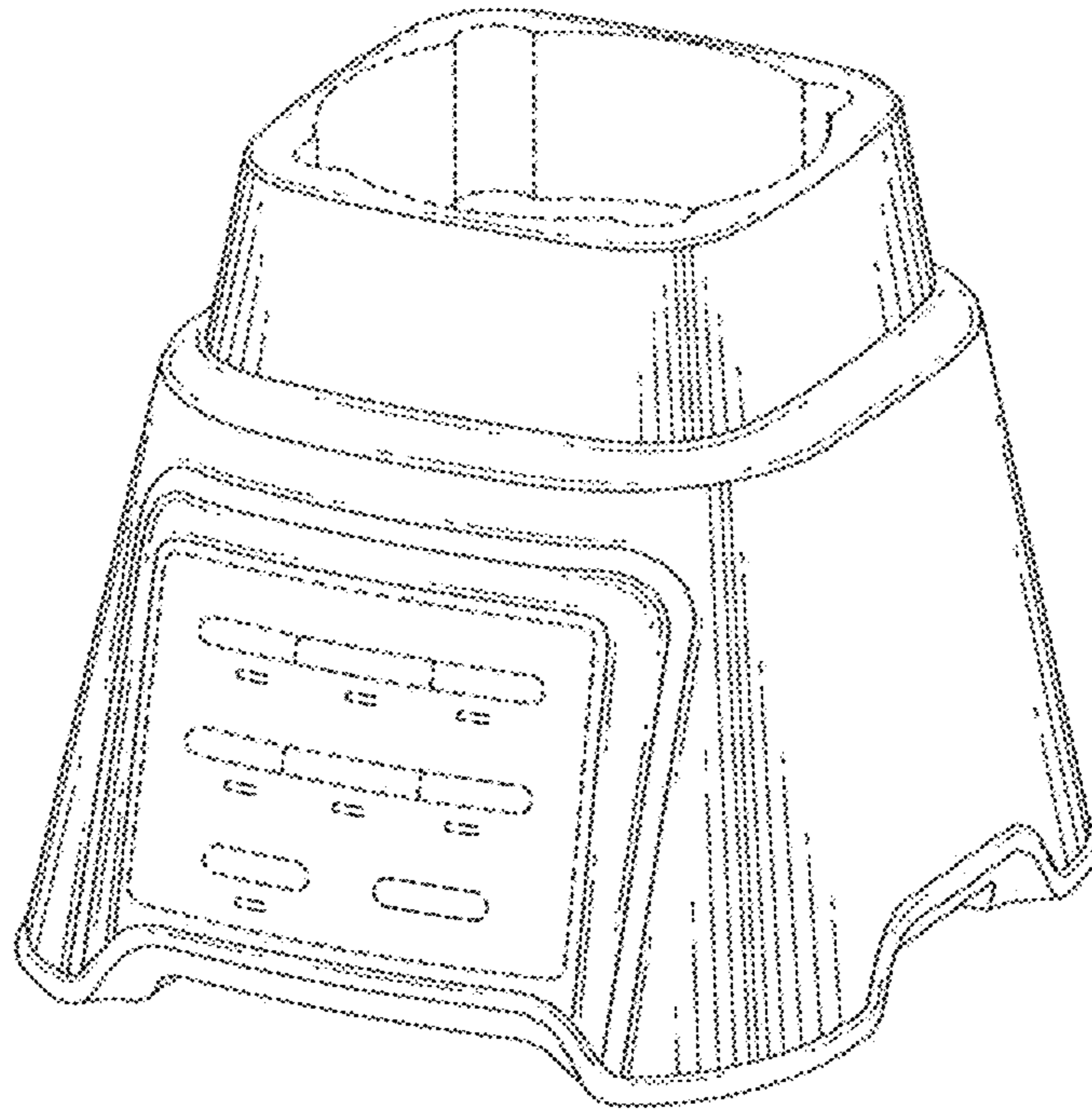


FIG. 2

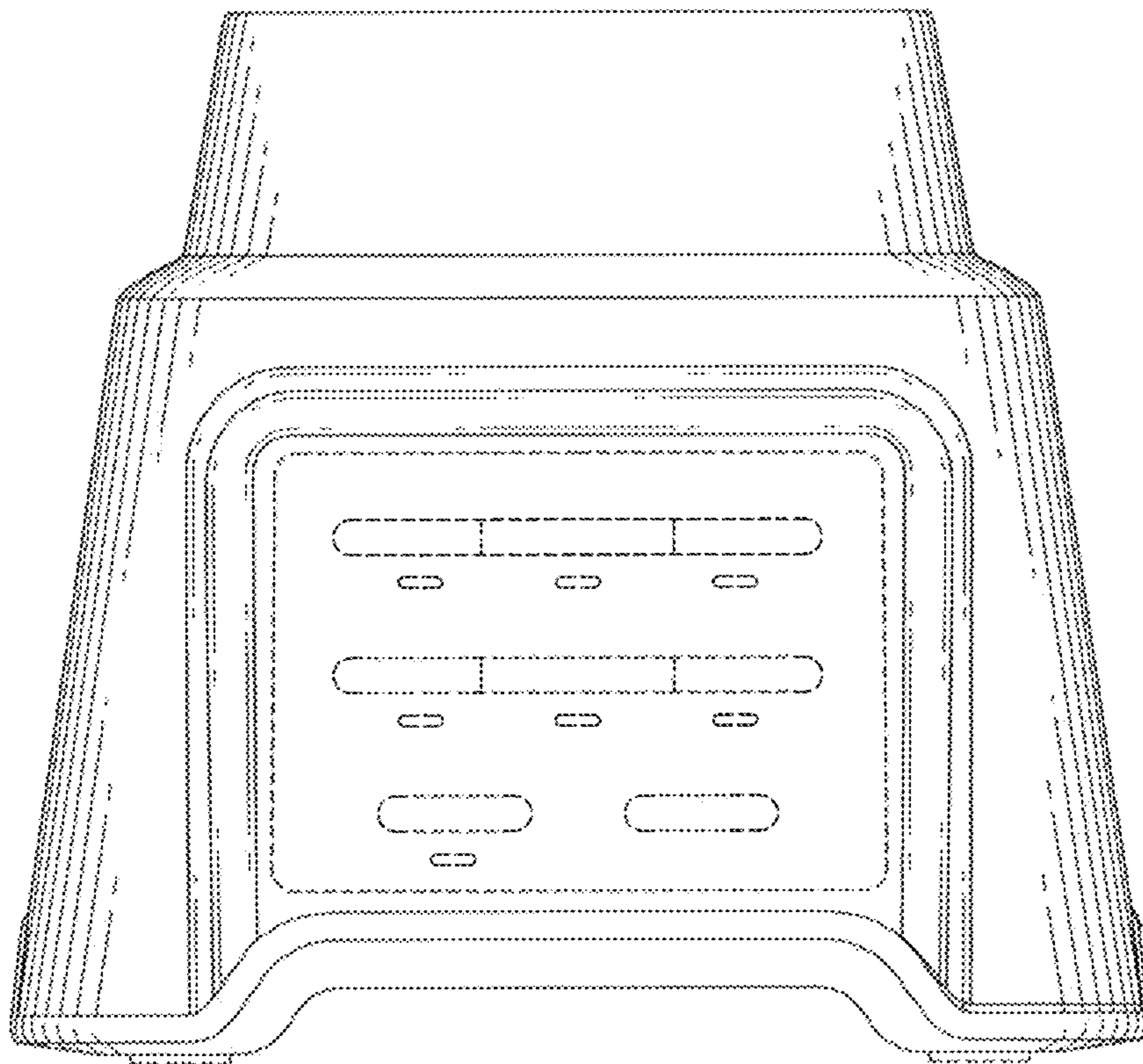


FIG. 3

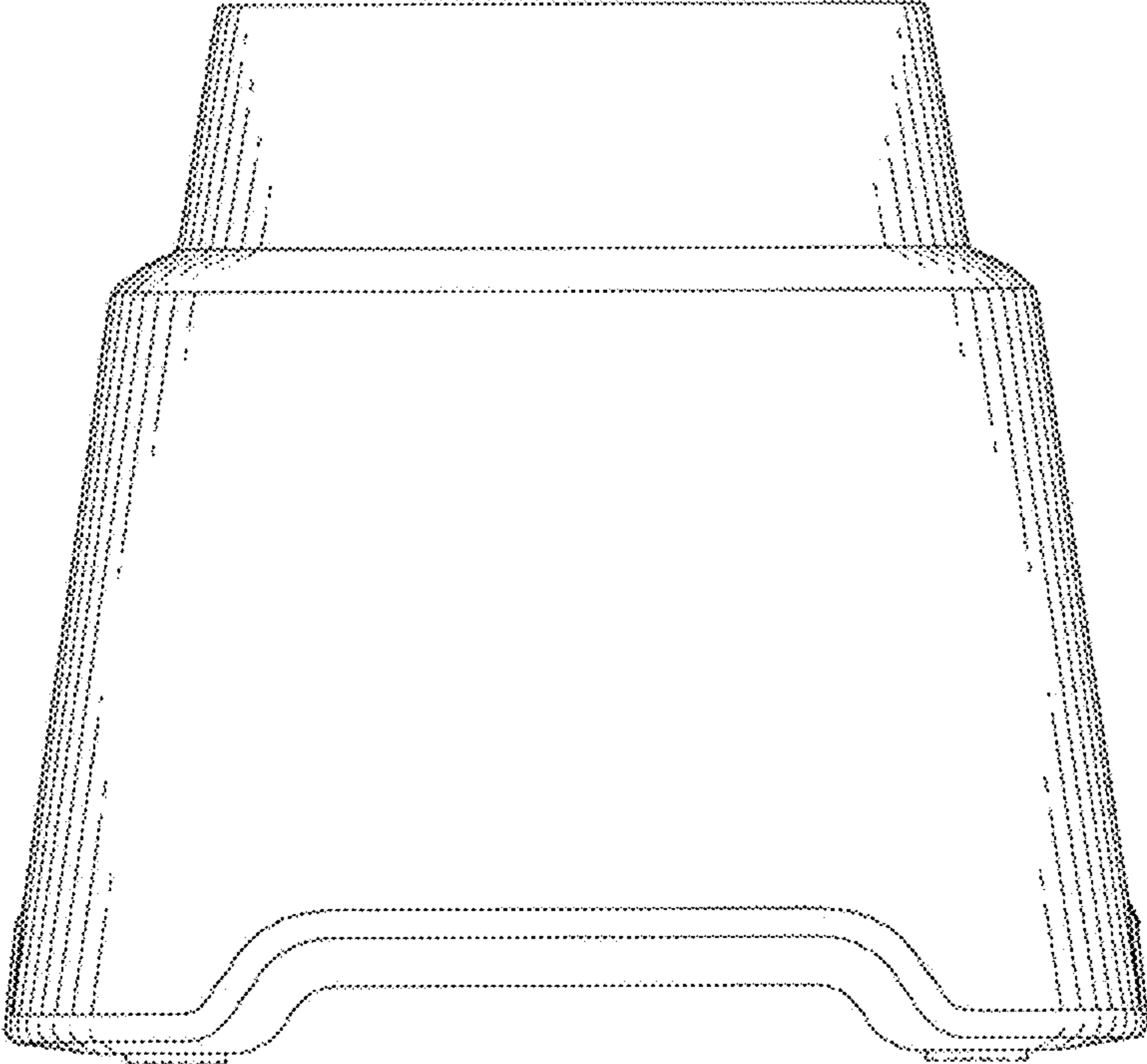


FIG. 4

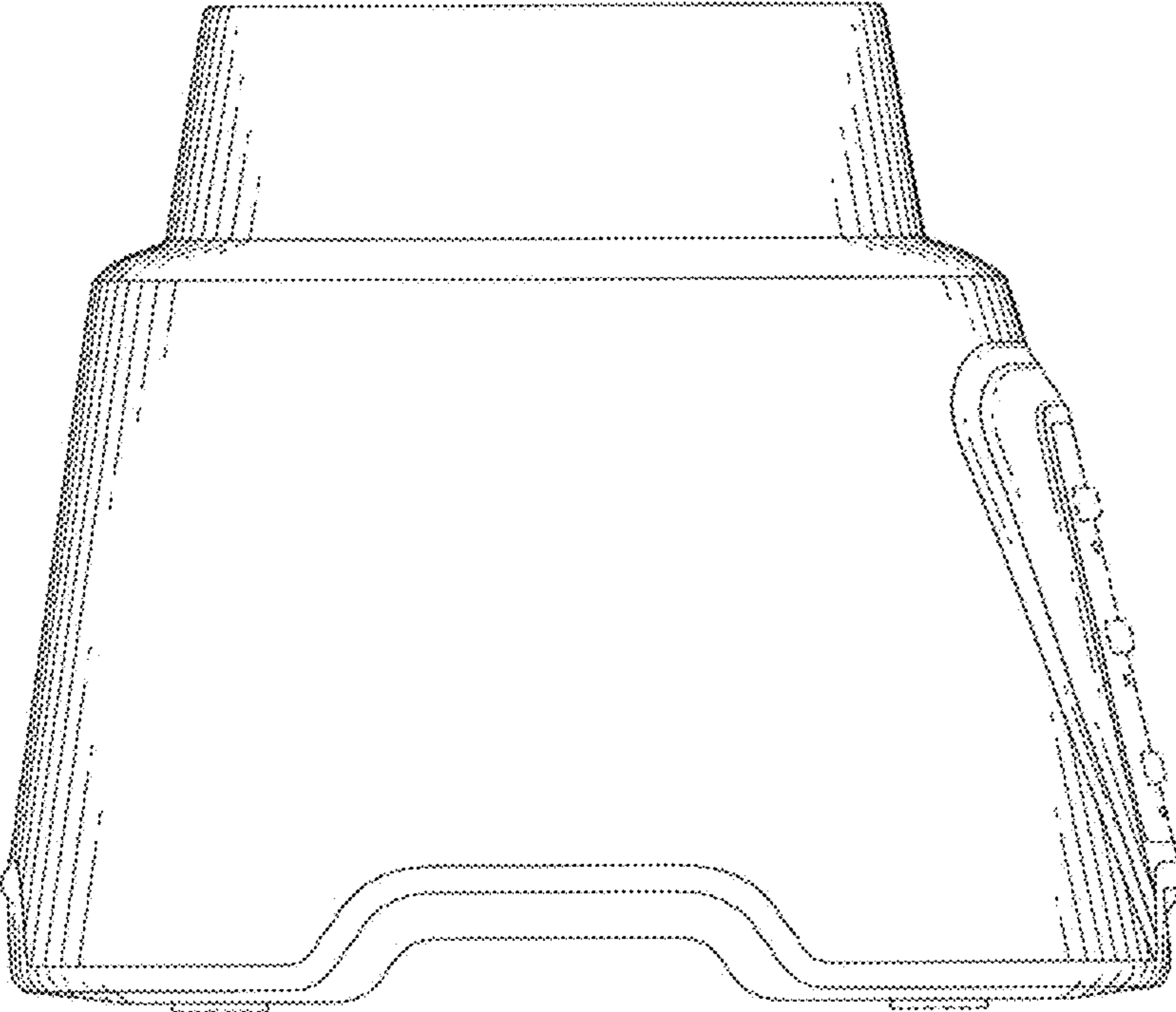


FIG. 5

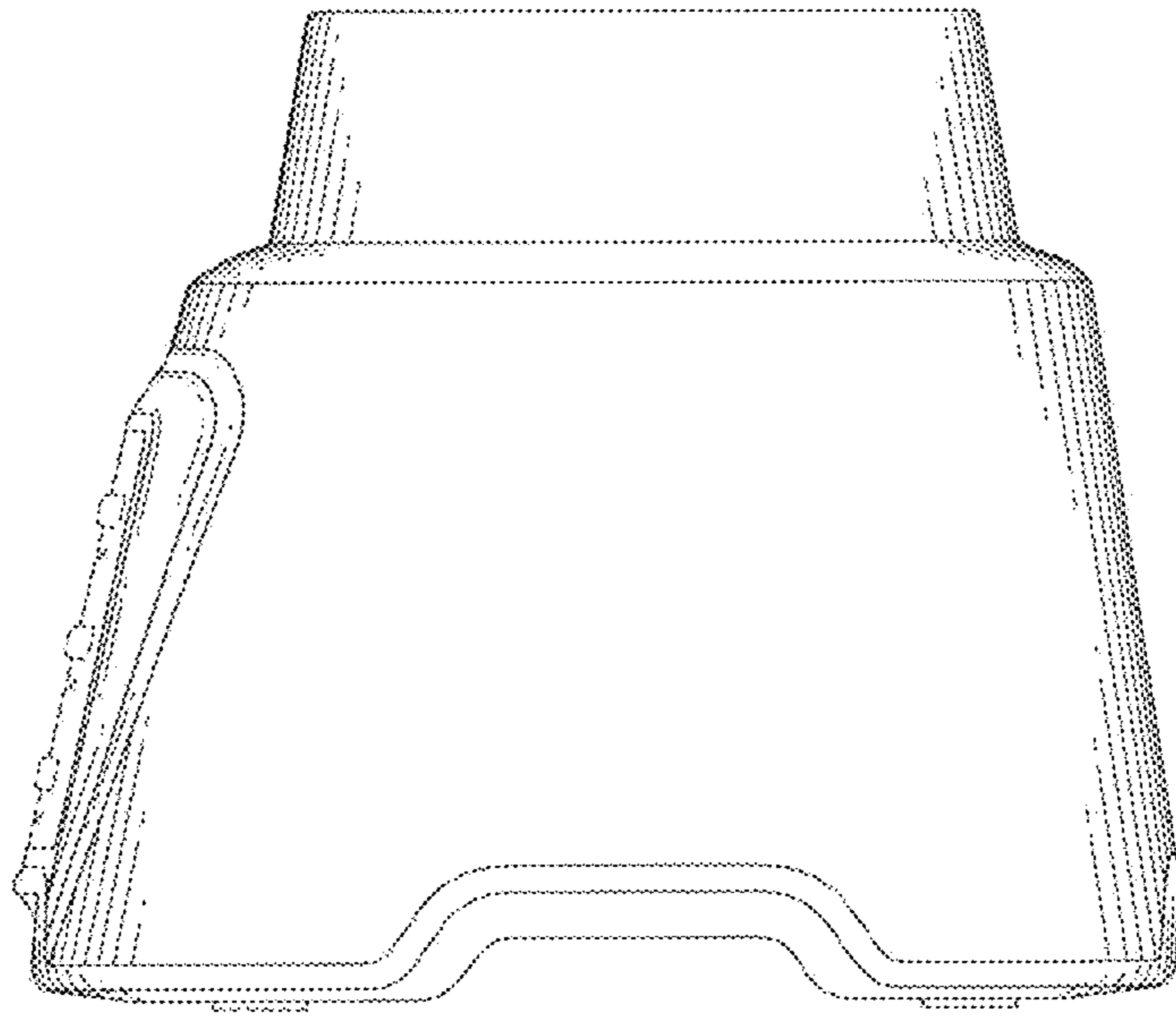


FIG. 6

