



US00D789734S

(12) **United States Design Patent** (10) **Patent No.:** **US D789,734 S**
Ayres (45) **Date of Patent:** **** Jun. 20, 2017**

(54) **WATER BOTTLE DIFFUSER TOOL**
(71) Applicant: **DYLN LIFESTYLE, LLC**, Costa Mesa, CA (US)
(72) Inventor: **Dorian R Ayres**, Costa Mesa, CA (US)
(73) Assignee: **DYLN LIFESTYLE, LLC**, Irvine, CA (US)
(**) Term: **15 Years**

6,171,033 B1 1/2001 Wrobel
6,901,825 B1 6/2005 Lebron
D534,032 S * 12/2006 Lloyd D7/380
D623,485 S * 9/2010 Silvers D7/683
D630,908 S * 1/2011 Silvers D7/682
(Continued)

Primary Examiner — Ricky Pham
(74) *Attorney, Agent, or Firm* — Stetina Brunda Garred & Brucker

(21) Appl. No.: **29/549,108**

(22) Filed: **Dec. 18, 2015**

(51) **LOC (10) Cl.** **31-00**

(52) **U.S. Cl.**
USPC **D7/380**; D7/376; D7/378; D7/379

(58) **Field of Classification Search**
USPC D7/372, 376–386, 412–413, 602, 629, D7/665–666, 669, 679, 682–683, D7/693–694; D26/68
CPC A21C 1/02; A21C 1/04; A23L 2/56; A23N 1/00; A23N 1/02; A47J 43/04; A47J 43/25; A47J 43/27; A47J 43/042; A47J 43/044; A47J 43/046; A47J 43/075; A47J 43/0711; A47J 43/0716; A47J 43/0722; A47J 43/0727; B01F 3/00; B01F 3/0807; B01F 3/0853; B01F 13/0059; B01F 13/0064; B02C 1/08; B02C 2/04; B02C 4/42; B02C 4/142; B02C 4/143; B02C 4/423; B02C 13/1835; B28C 5/10; B28C 5/12; B28C 5/14; B28C 5/16

See application file for complete search history.

(56) **References Cited**

U.S. PATENT DOCUMENTS

481,462 A 8/1892 Benson et al.
2,820,655 A 1/1958 Hileman
D327,603 S * 7/1992 van Asten D7/376
D361,241 S * 8/1995 Littmann D7/376

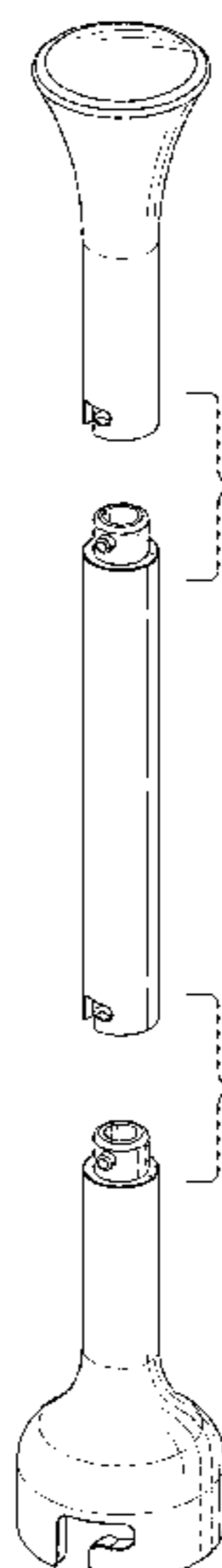
(57) **CLAIM**

The ornamental design for a water bottle diffuser tool, as shown and described.

DESCRIPTION

FIG. 1 is a perspective, exploded view of the water bottle diffuser tool, showing my new design;
FIG. 2 is a front, exploded view of the water bottle diffuser tool shown in FIG. 1;
FIG. 3 is a right side, exploded view of the water bottle diffuser tool shown in FIG. 1;
FIG. 4 is a rear, exploded view of the water bottle diffuser tool shown in FIG. 1;
FIG. 5 is a left side, exploded view of the water bottle diffuser tool shown in FIG. 1;
FIG. 6 is a top view of the water bottle diffuser tool shown in FIG. 1;
FIG. 7 is a bottom view of the water bottle diffuser tool shown in FIG. 1;
FIG. 8 is a perspective, assembled view of the water bottle diffuser tool shown in FIG. 1;
FIG. 9 is a front, assembled view of the water bottle diffuser tool shown in FIG. 1;
FIG. 10 is a right side, assembled view of the water bottle diffuser tool shown in FIG. 1;
FIG. 11 is a rear, assembled view of the water bottle diffuser tool shown in FIG. 1; and,
FIG. 12 is a left side, assembled view of the water bottle diffuser tool shown in FIG. 1.

1 Claim, 4 Drawing Sheets



(56)

References Cited

U.S. PATENT DOCUMENTS

7,866,879	B2 *	1/2011	Moschetti	A47J 43/0711	
						366/129
D652,976	S *	1/2012	Soto	D26/68	
D652,977	S *	1/2012	Soto	D26/68	
8,172,454	B2 *	5/2012	Choi	A47J 43/0716	
						366/147
D695,566	S *	12/2013	Egger	D7/376	
D703,481	S *	4/2014	Lownds	D7/376	
D763,035	S *	8/2016	Hume	D7/372	
2014/0084610	A1	3/2014	Nguyen			
2015/0208853	A1 *	7/2015	Melzer	A23L 2/56	
						426/425

* cited by examiner

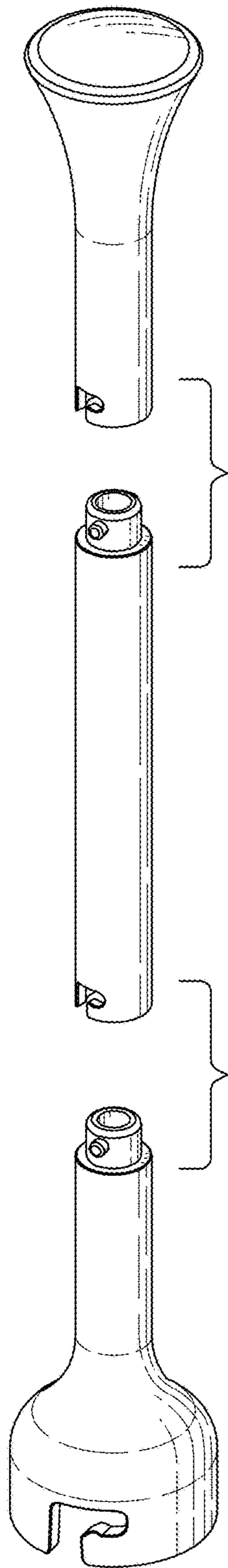


FIG. 1

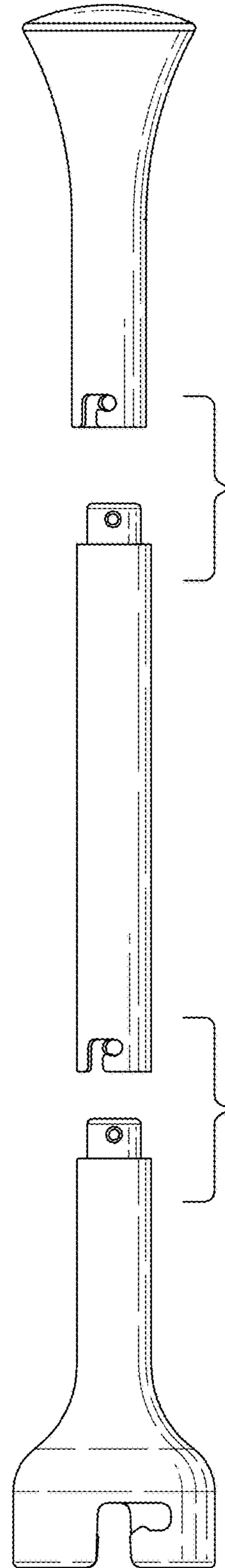


FIG. 2

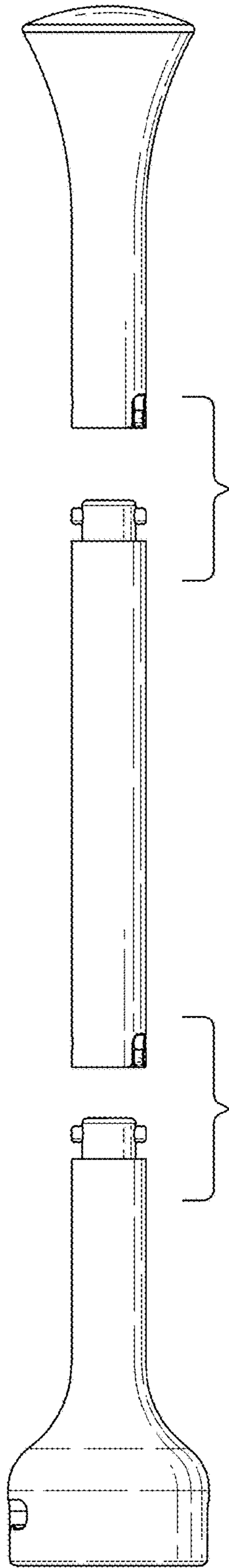


FIG. 3

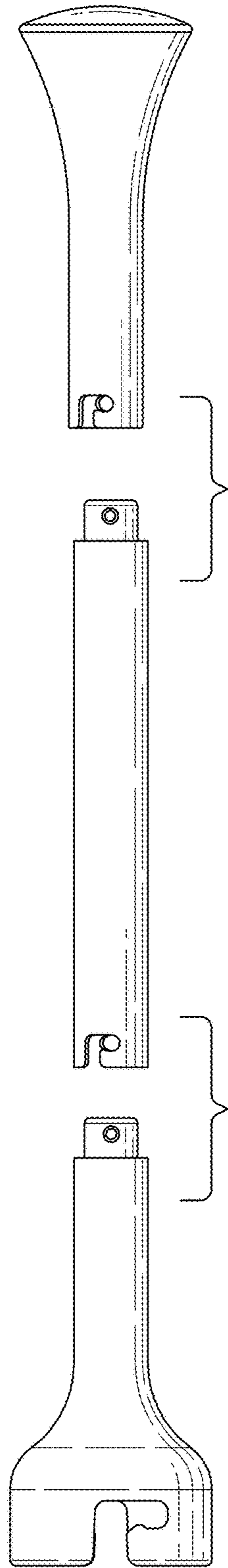


FIG. 4

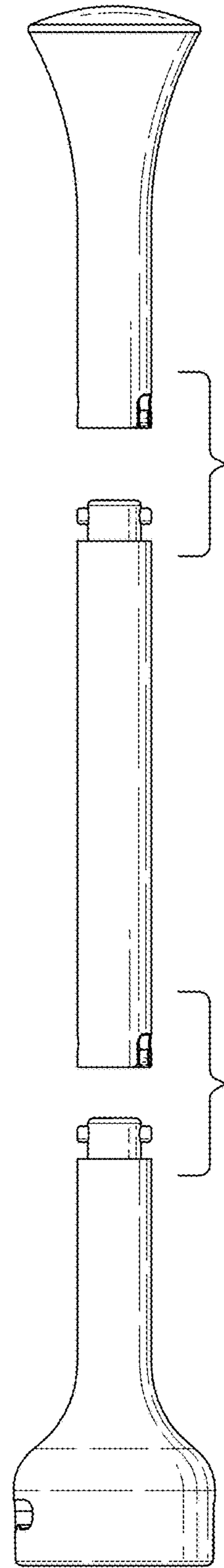


FIG. 5

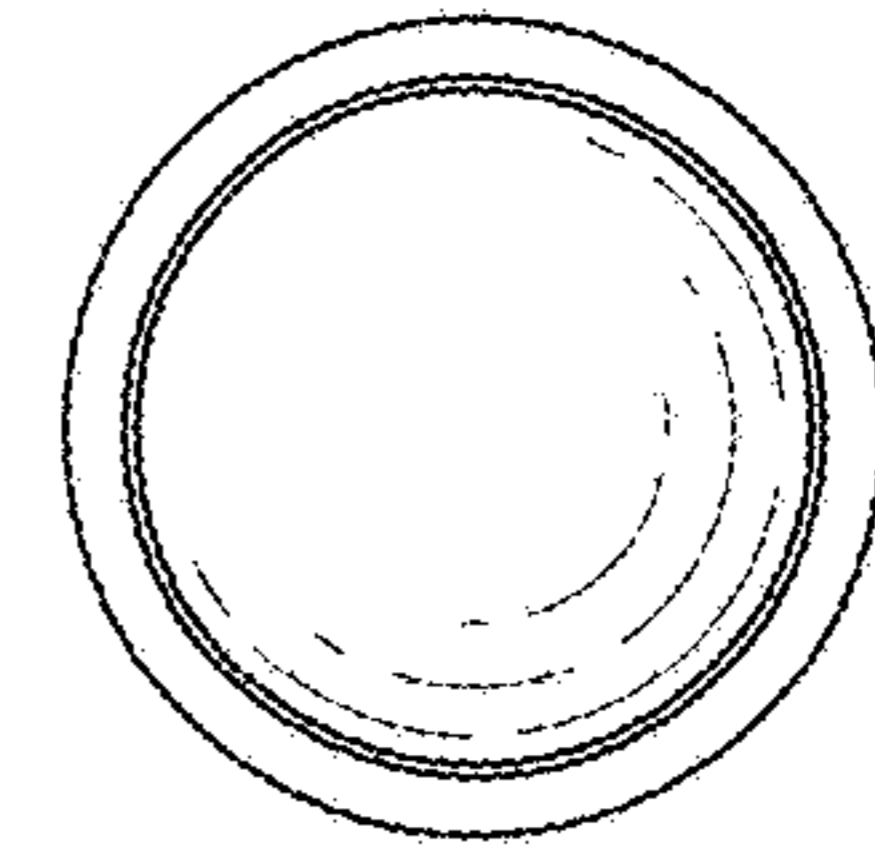


FIG. 6

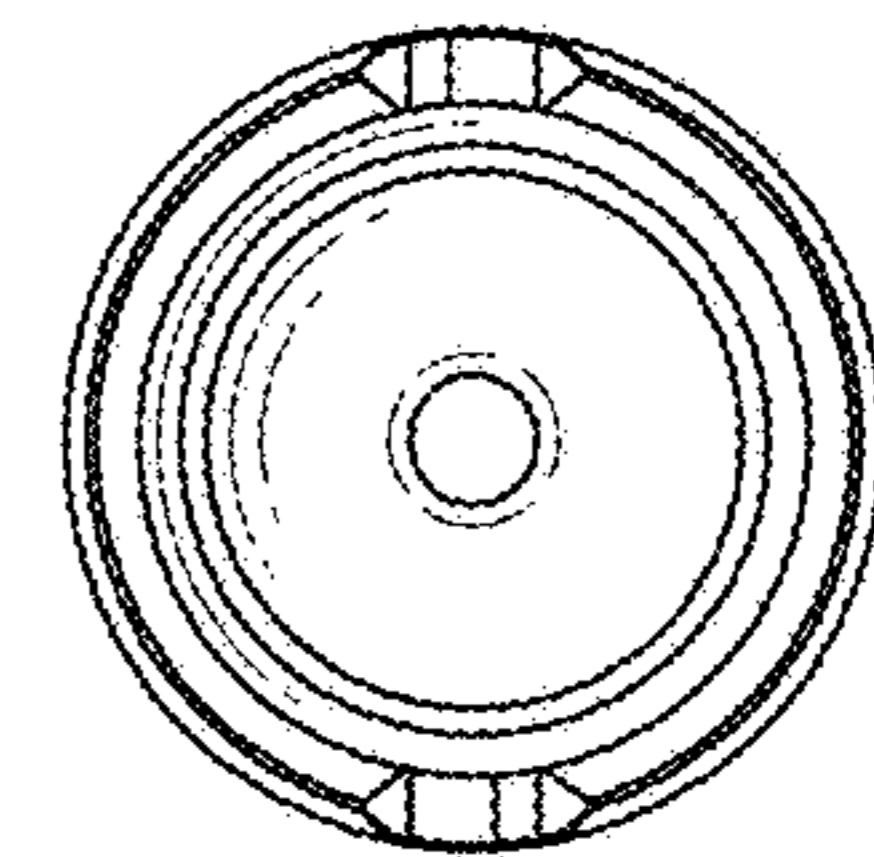


FIG. 7

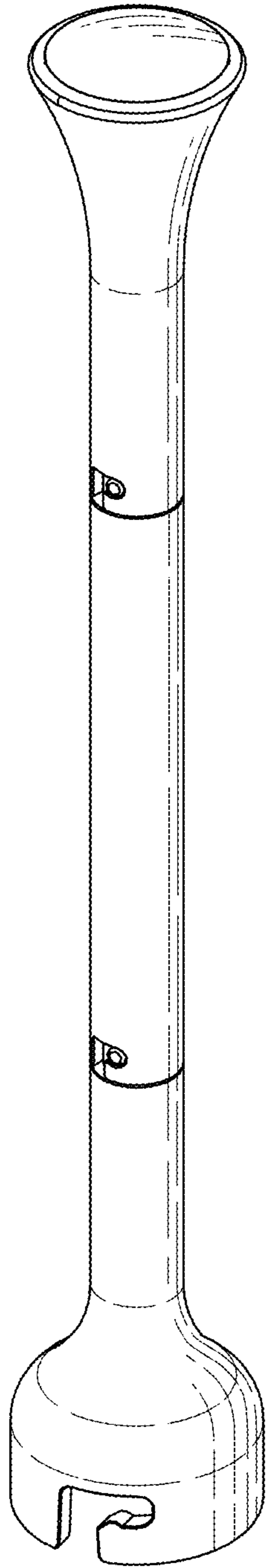


FIG. 8

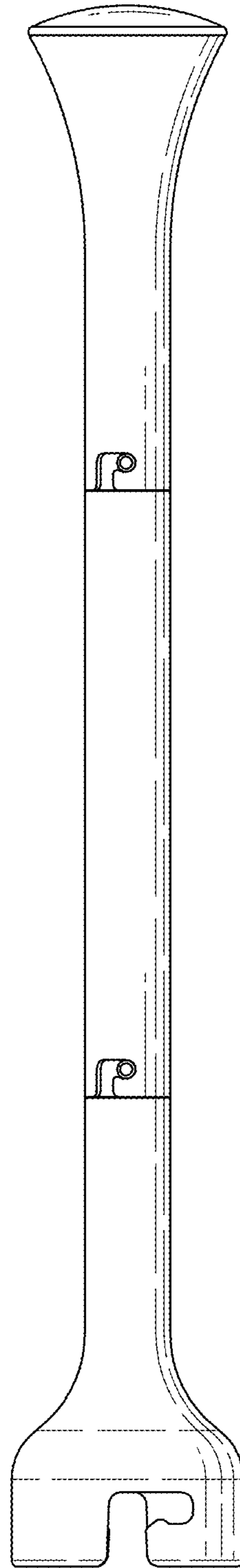


FIG. 9

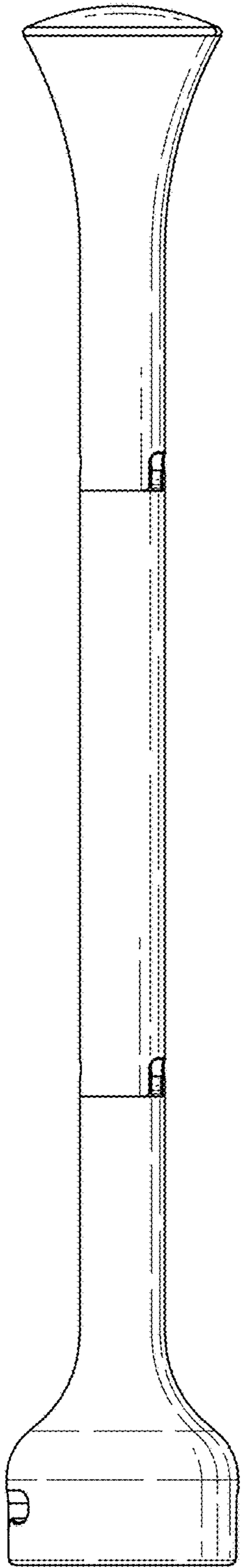


FIG. 10

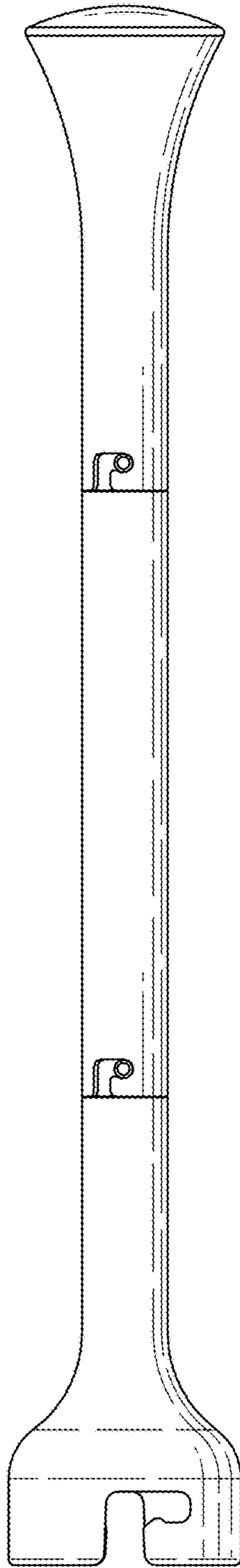


FIG. 11

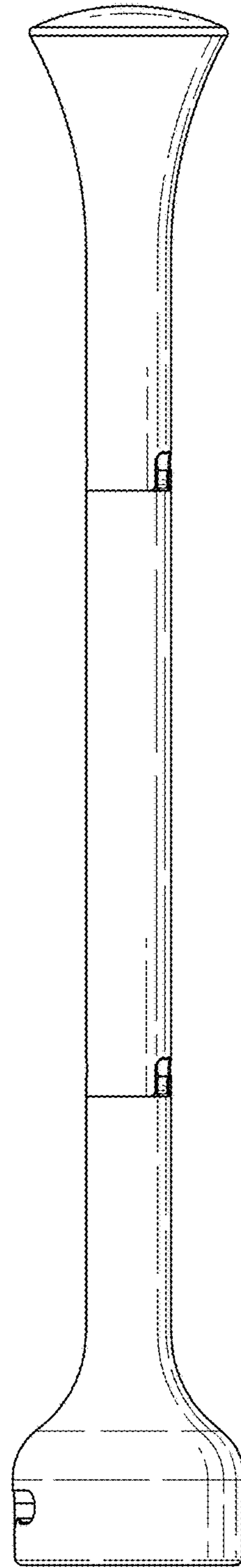


FIG. 12