



US00D789733S

(12) **United States Design Patent**
Lee

(10) **Patent No.:** **US D789,733 S**
(45) **Date of Patent:** **** Jun. 20, 2017**

(54) **COOKING PAN FOR USE IN HEATING COOKERS**

(71) Applicant: **Jin Hee Lee**, Seoul (KR)

(72) Inventor: **Jin Hee Lee**, Seoul (KR)

(**) Term: **15 Years**

(21) Appl. No.: **29/557,921**

(22) Filed: **Mar. 14, 2016**

(30) **Foreign Application Priority Data**

Aug. 24, 2015 (KR) 30-2015-0042501

(51) **LOC (10) Cl.** **07-02**

(52) **U.S. Cl.**

USPC **D7/362; D7/352; D7/409**

(58) **Field of Classification Search**

USPC D7/323, 332, 335-337, 354-367,

D7/387-388, 402, 407-409; D9/428

CPC A21B 2/00; A21B 3/00; A21B 3/13; A21B

3/15; A21B 5/00; A21B 5/02; A23N

12/06; A23N 12/08; A23N 12/10; A47J

27/004; A47J 36/34; A47J 37/00; A47J

37/04; A47J 37/041; A47J 37/042; A47J

37/06; A47J 37/0629; A47J 37/0688;

A47J 37/0694; A47J 37/07; A47J

37/0704; A47J 37/10; A47J 37/108; A47J

47/20; A47J 2037/00; A47J 2037/06;

A47J 2037/0611; A47J 2037/07; A47J

2037/0786; A47J 2037/0795; F24C 15/10;

F24C 15/12; F24C 15/14; F24C 15/16;

F24C 15/164; F24C 15/18

See application file for complete search history.

(56) **References Cited**

U.S. PATENT DOCUMENTS

D252,008 S * 6/1979 Jeambey 426/243

D264,036 S * 4/1982 Pomroy D7/359

5,970,858 A * 10/1999 Boehm A47J 37/0629

99/400

6,082,249 A * 7/2000 Su A47J 27/004

99/340

D440,490 S * 4/2001 Lizzio D9/428

D621,650 S * 8/2010 DeLeo D7/354

D653,904 S * 2/2012 Lee D7/362

D661,542 S * 6/2012 Lee D7/362

D678,712 S * 3/2013 Mehler D7/354

D688,089 S * 8/2013 Lee D7/362

D695,059 S * 12/2013 Mehler D7/354

D696,548 S * 12/2013 Weskamp D7/354

D730,680 S * 6/2015 Palermo D7/367

9,055,842 B2 * 6/2015 Kim A47J 36/34

D743,733 S * 11/2015 Lee D7/362

(Continued)

Primary Examiner — Ricky Pham

(74) *Attorney, Agent, or Firm* — Kile Park Reed & Houtterman PLLC

(57) **CLAIM**

I claim, the ornamental design for a cooking pan for use in heating cookers, as shown and described.

DESCRIPTION

FIG. 1 is a top and front perspective view of a cooking pan for use in heating cookers, showing my new design;

FIG. 2 is a front elevational view thereof;

FIG. 3 is a rear elevational view thereof;

FIG. 4 is a left side elevational view thereof;

FIG. 5 is a right side elevational view thereof;

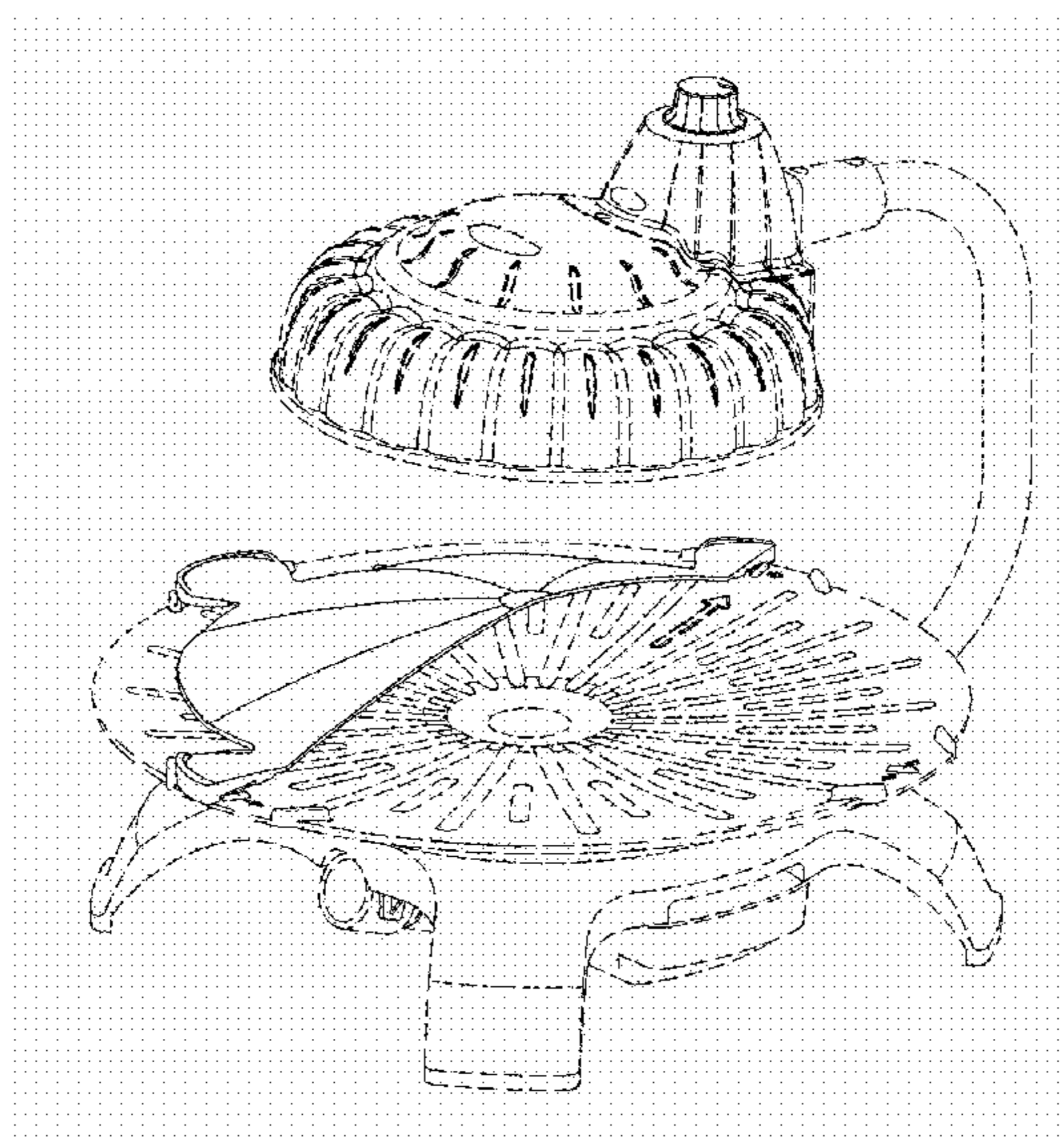
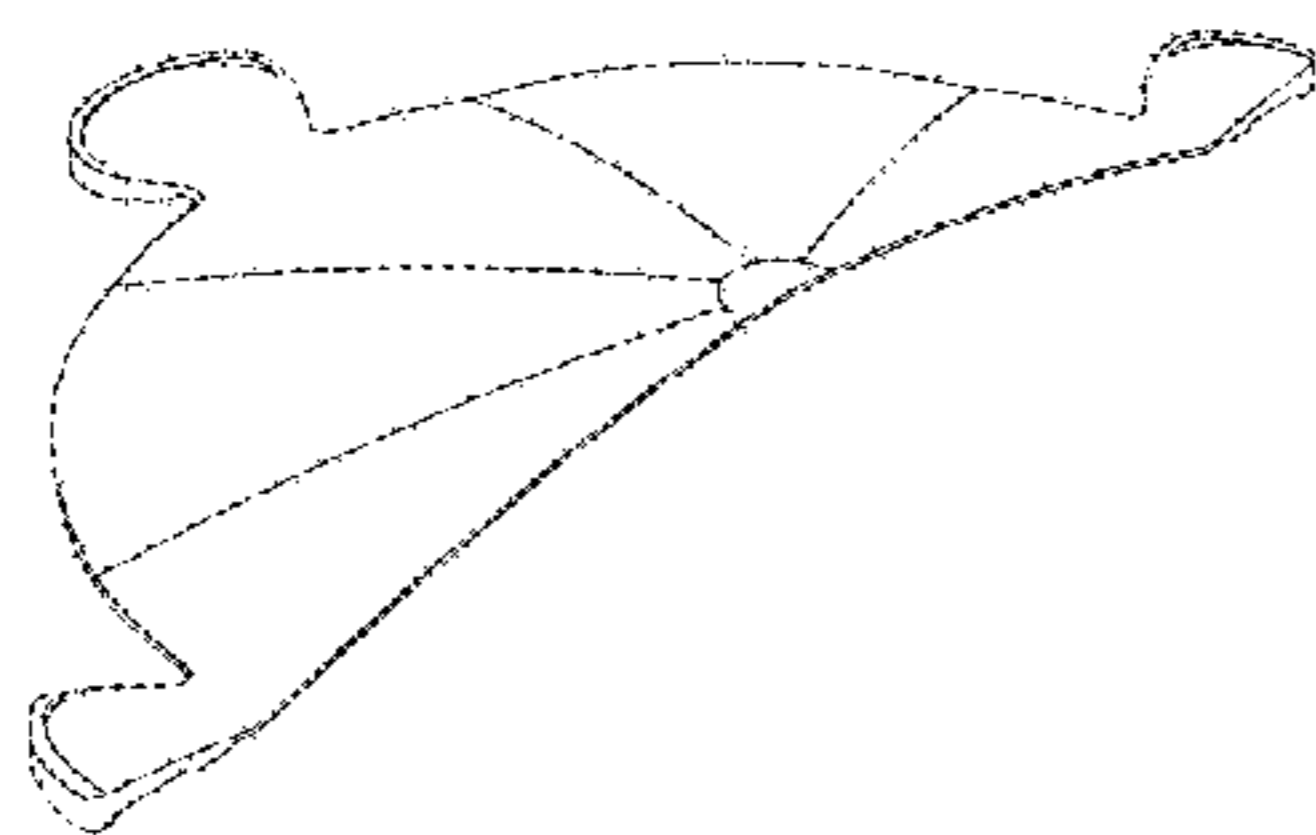
FIG. 6 is a top plan view thereof;

FIG. 7 is a bottom plan view thereof; and,

FIG. 8 is a reference perspective view showing that the cooking pan for use in heating cookers is applied to an infrared heating cooker.

The broken lines shown in the drawings are for illustrative purposes only and form no part of the claimed design.

1 Claim, 6 Drawing Sheets



(56)

References Cited

U.S. PATENT DOCUMENTS

D743,734	S	*	11/2015	Lee	D7/362
D749,906	S	*	2/2016	Lee	D7/362
D764,859	S	*	8/2016	Lee	D7/352
D764,860	S	*	8/2016	Lee	D7/352
D764,861	S	*	8/2016	Lee	D7/352
D764,862	S	*	8/2016	Lee	D7/352
D768,428	S	*	10/2016	Lee	D7/352
D768,429	S	*	10/2016	Lee	D7/352
D768,430	S	*	10/2016	Lee	D7/352
D768,431	S	*	10/2016	Lee	D7/352
D768,432	S	*	10/2016	Lee	D7/352
D769,049	S	*	10/2016	Lee	D7/352
D769,050	S	*	10/2016	Lee	D7/352
D769,051	S	*	10/2016	Lee	D7/352
D769,052	S	*	10/2016	Lee	D7/352
D769,053	S	*	10/2016	Lee	D7/352
D769,054	S	*	10/2016	Lee	D7/352
D769,056	S	*	10/2016	Lee	D7/352
D769,057	S	*	10/2016	Lee	D7/352
D769,058	S	*	10/2016	Lee	D7/352
D769,059	S	*	10/2016	Lee	D7/352
D770,221	S	*	11/2016	Lee	D7/352
D772,648	S	*	11/2016	Palermo	D7/367
2009/0095168	A1	*	4/2009	Shu	A47J 37/108 99/425

* cited by examiner

FIG. 1

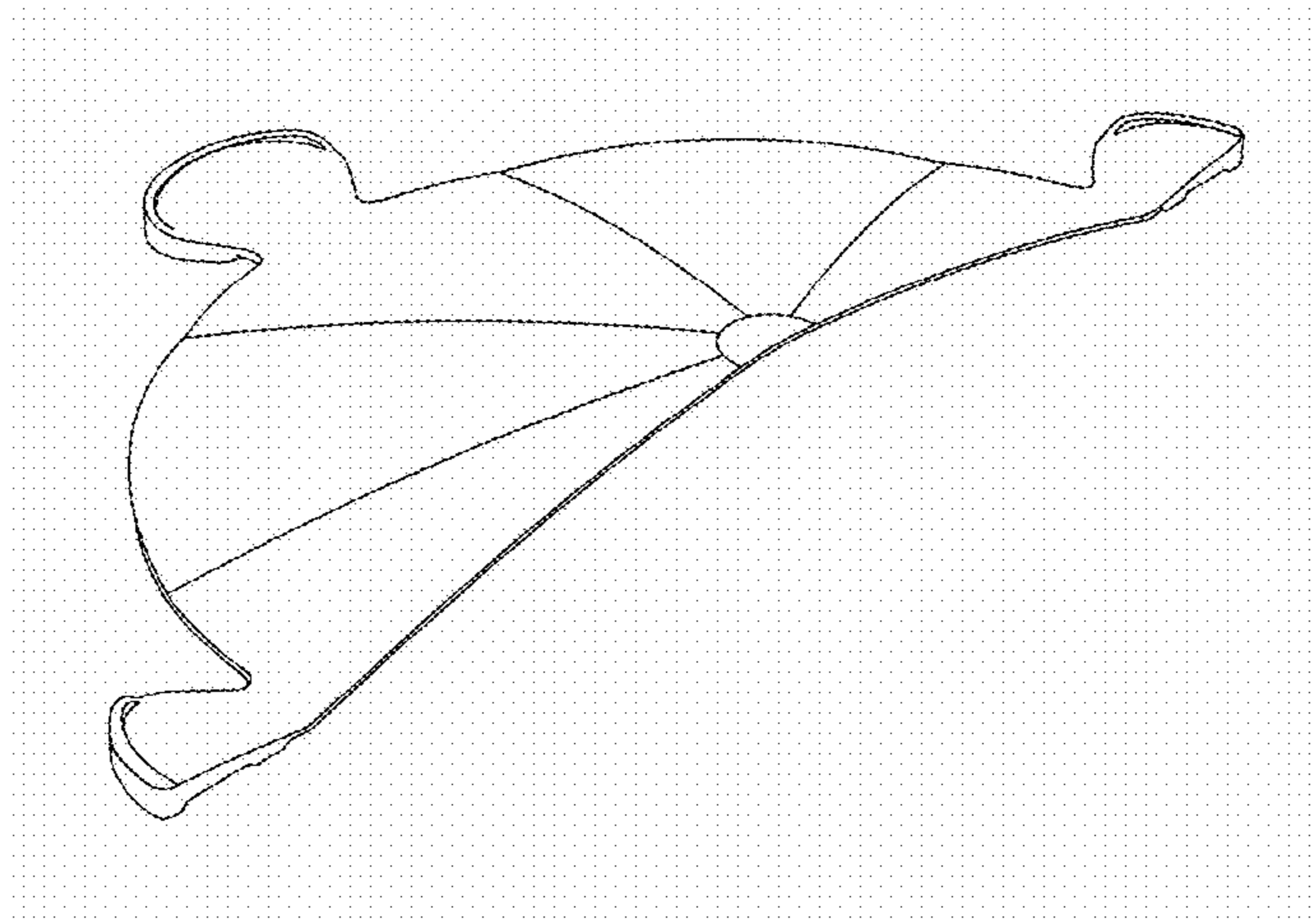


FIG. 2

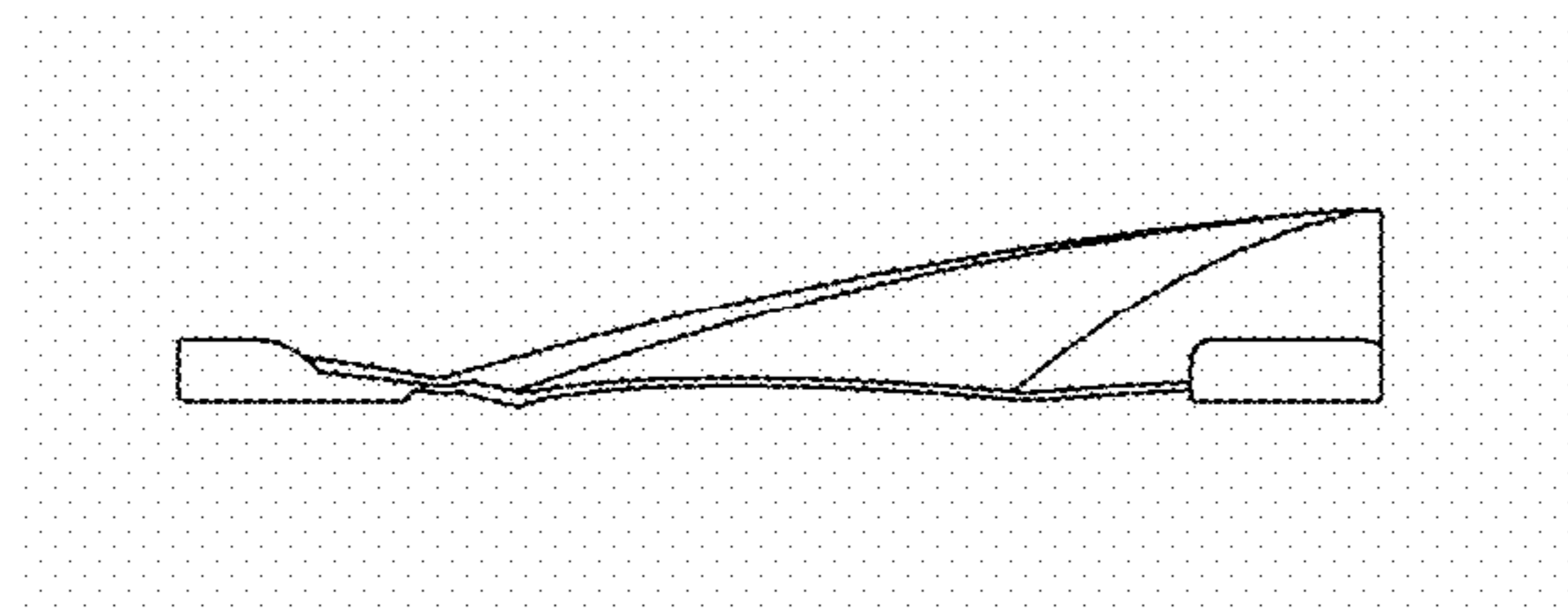


FIG. 3

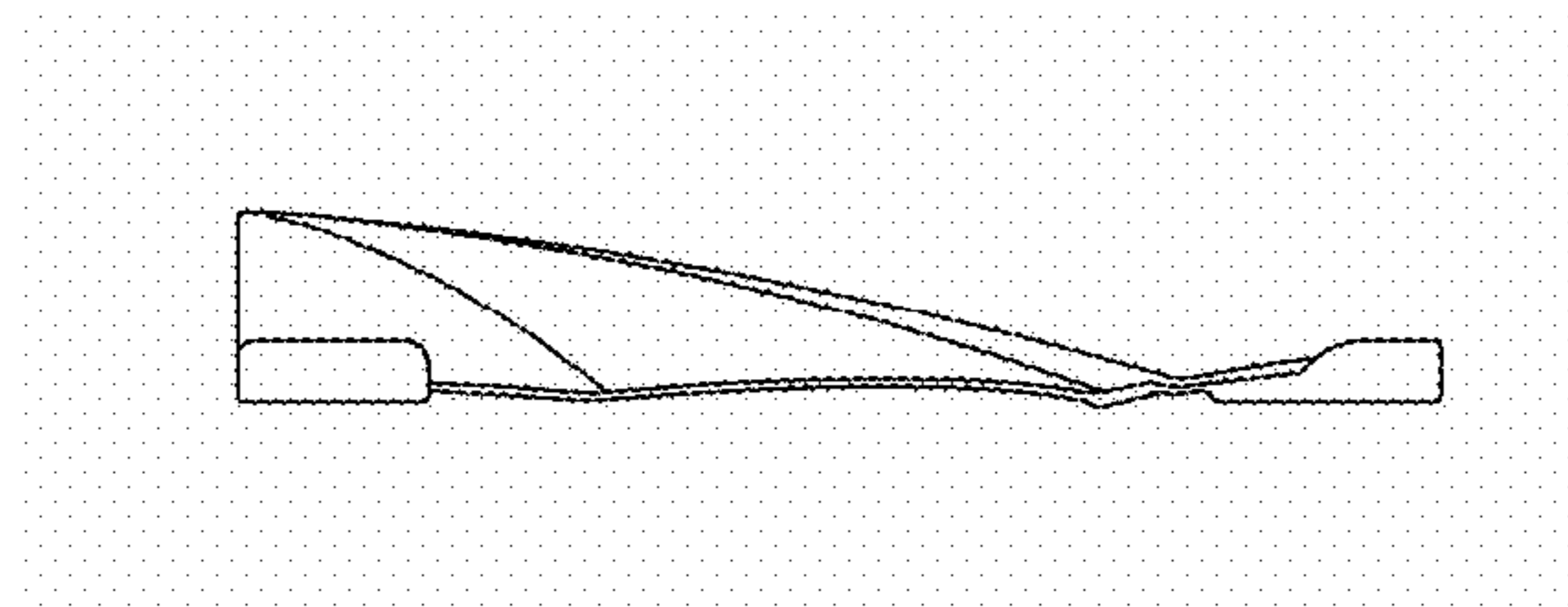


FIG. 4

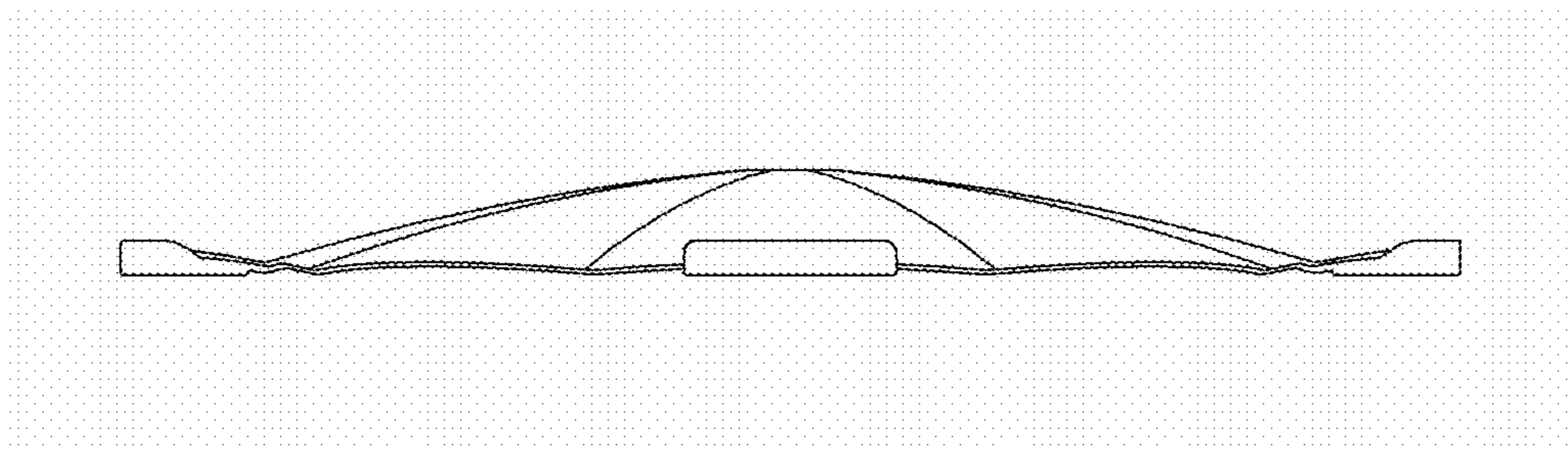


FIG. 5

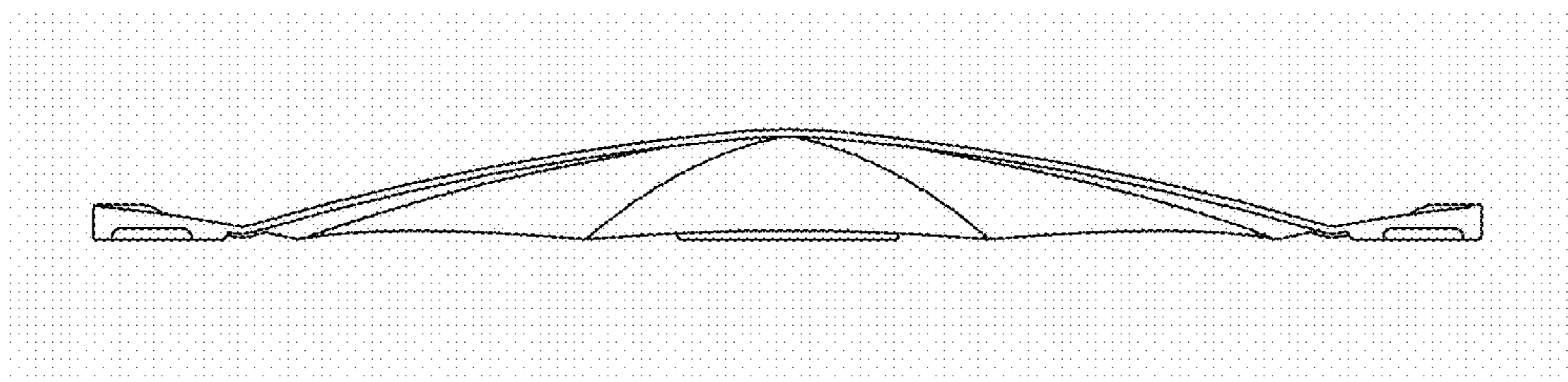


FIG. 6

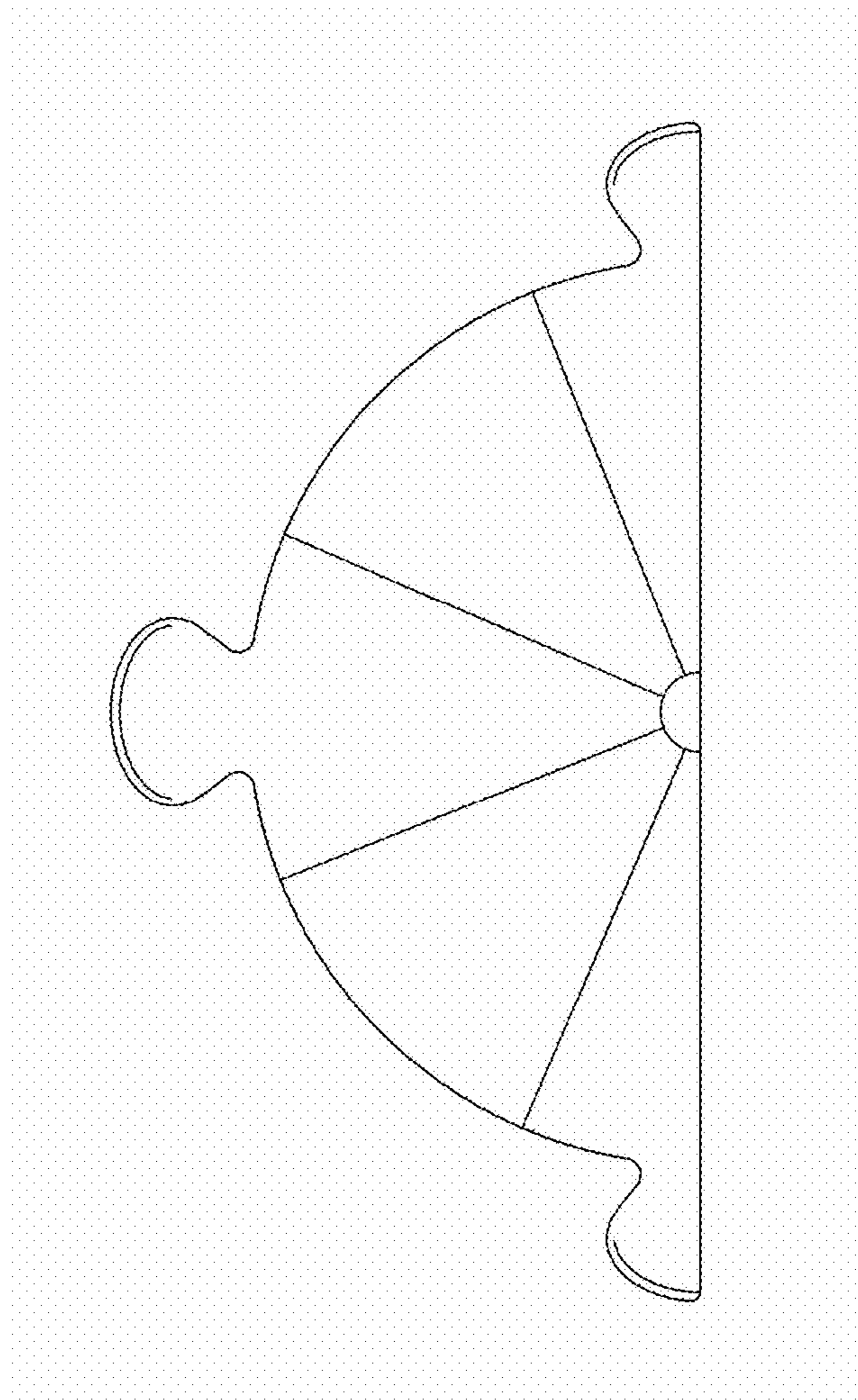


FIG. 7

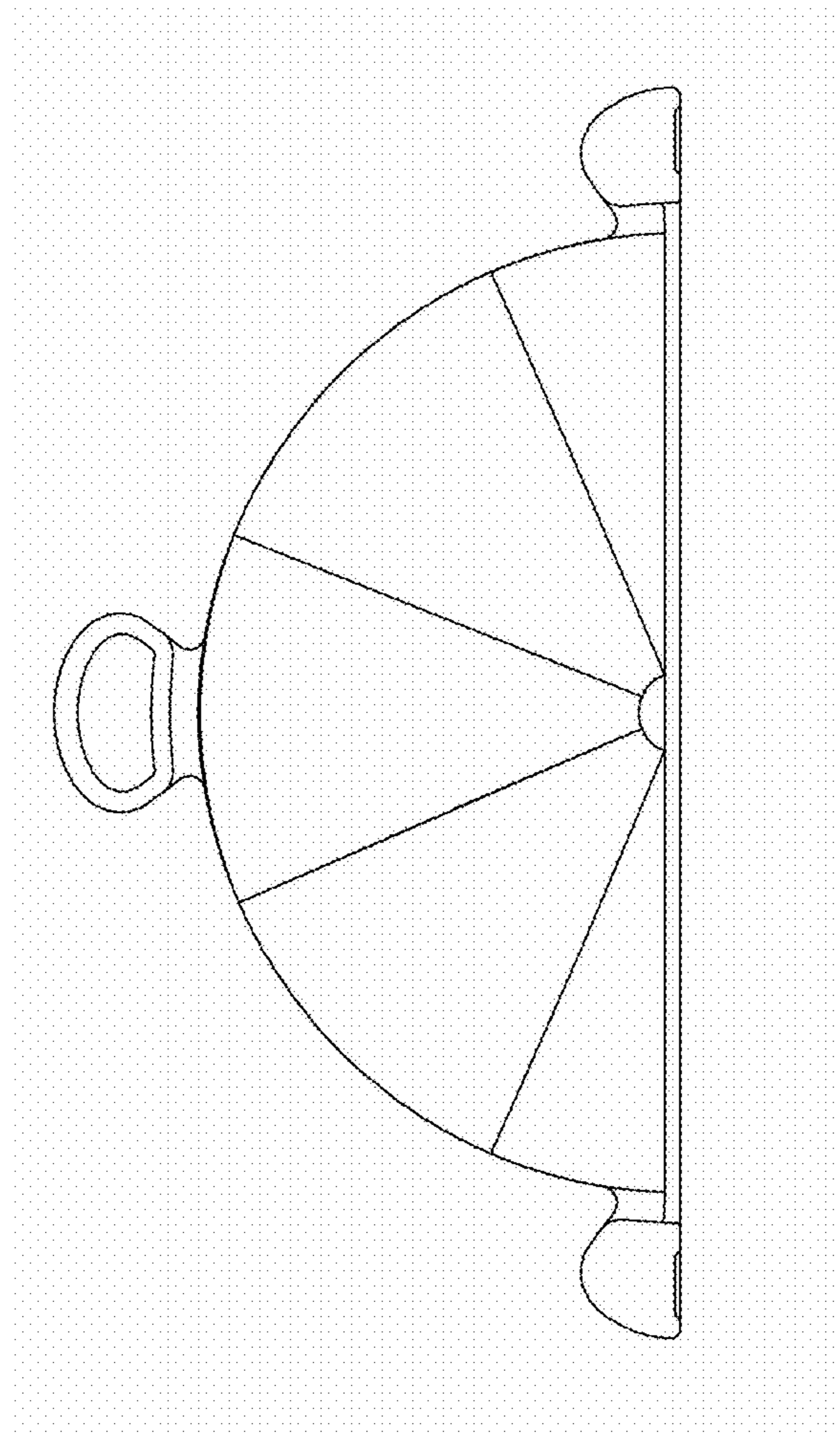


FIG. 8

