



US00D789731S

(12) **United States Design Patent**
Feng

(10) **Patent No.:** **US D789,731 S**

(45) **Date of Patent:** **** Jun. 20, 2017**

- (54) **OVEN**
- (71) Applicant: **Peiying Feng**, Guangdong (CN)
- (72) Inventor: **Peiying Feng**, Guangdong (CN)
- (**) Term: **15 Years**
- (21) Appl. No.: **29/545,231**
- (22) Filed: **Nov. 11, 2015**

Related U.S. Application Data

- (63) Continuation-in-part of application No. 14/876,816, filed on Oct. 7, 2015.

(51) **LOC (10) Cl.** **07-02**

(52) **U.S. Cl.**
USPC **D7/354**

(58) **Field of Classification Search**

USPC D7/323, 354–362, 540
 CPC A23L 1/01; A23L 1/0107; A23L 1/0114;
 A47J 27/00; A47J 27/002; A47J 27/08;
 A47J 27/09; A47J 27/092; A47J 36/025;
 A47J 36/06; A47J 36/08; A47J 36/10;
 A47J 36/12; A47J 36/165; A47J 36/18;
 A47J 36/20; A47J 36/22; A47J 37/00;
 A47J 37/01; A47J 37/0605; A47J
 37/0623; A47J 37/0694; A47J 37/12;
 A47J 37/1204; A47J 37/1209; A47J
 37/1214; A47J 37/1219; A47J 37/1266;
 A47J 37/1285; A47J 37/129; A47J
 37/1295; F24B 1/003; F24C 1/16; G07F
 17/0064; G07F 17/0078; G07F 17/0085;
 H05B 6/02; H05B 6/06; H05B 6/12

See application file for complete search history.

(56) **References Cited**

U.S. PATENT DOCUMENTS

- 4,320,736 A * 3/1982 Sharon F24B 1/003
126/19 M
- D338,373 S * 8/1993 Sun D30/131

- 5,431,091 A * 7/1995 Couture A47J 37/0605
126/275 R
- 5,584,232 A * 12/1996 Bush A47J 37/01
126/275 R
- 5,682,873 A * 11/1997 Chambers F24C 1/16
126/261
- D437,522 S * 2/2001 Measom D7/354
- 6,201,217 B1 * 3/2001 Moon A47J 37/0623
126/21 A
- 6,427,582 B1 * 8/2002 Measom A47J 27/00
99/342
- 6,941,857 B2 * 9/2005 McLemore A47J 37/1209
99/403
- 8,281,709 B2 * 10/2012 Sacherman A47J 27/002
99/401
- 8,752,479 B2 * 6/2014 Sacherman A47J 27/002
99/400
- D750,421 S * 3/2016 Ho D7/360
- 2008/0141869 A1 * 6/2008 Ikeda A47J 37/0694
99/447

* cited by examiner

Primary Examiner — Ricky Pham

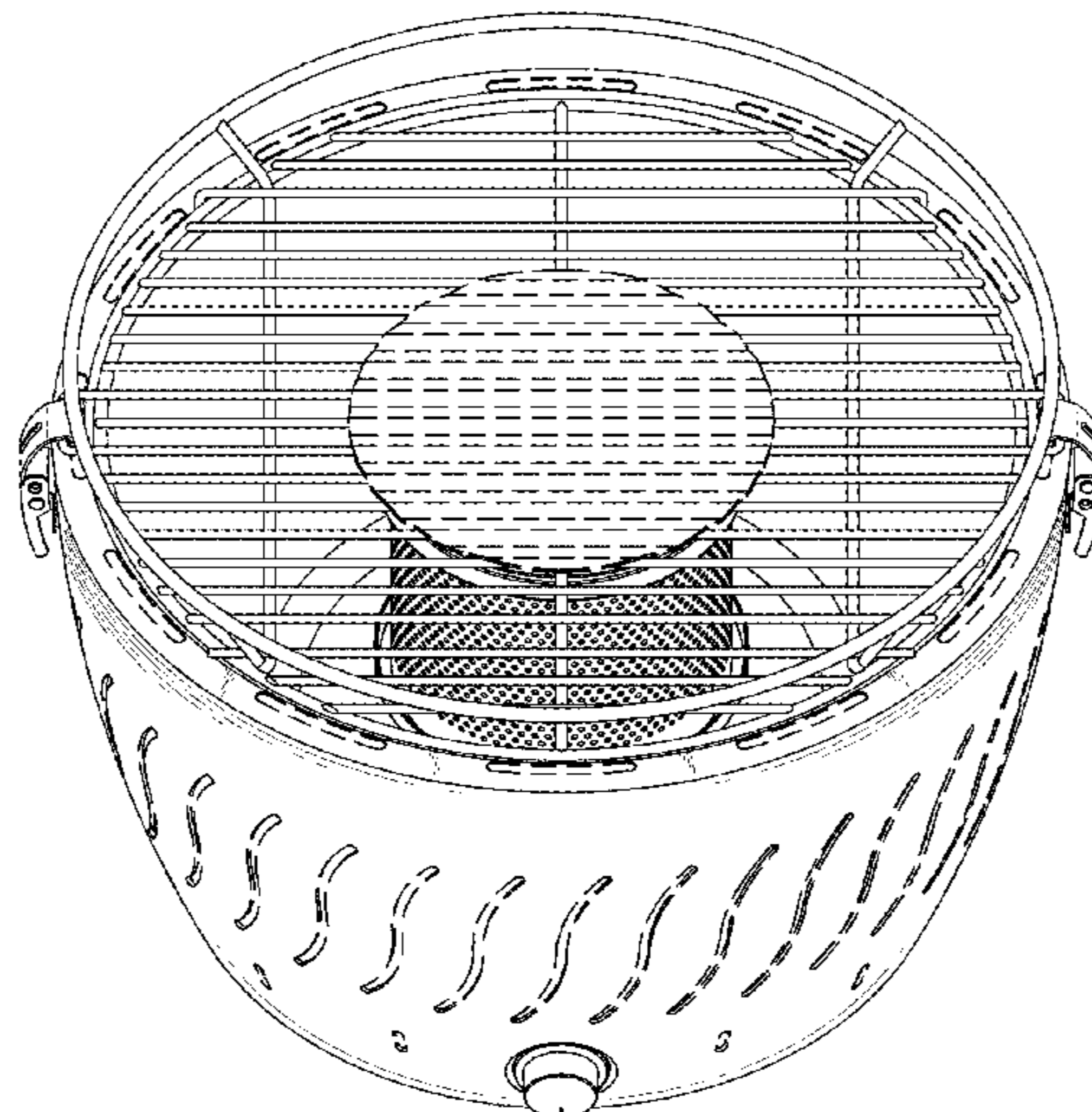
(57) **CLAIM**

The ornamental design for an oven, as shown and described.

DESCRIPTION

FIG. 1 is a front elevational view of an oven showing my new design;
 FIG. 2 is a rear elevational view thereof;
 FIG. 3 is a left side view thereof;
 FIG. 4 is a right side view thereof;
 FIG. 5 is a top plan view thereof;
 FIG. 6 is a bottom plan view thereof; and,
 FIG. 7 is a perspective view thereof.
 The broken lines are for illustrative purposes only and form no part of the claimed design.

1 Claim, 7 Drawing Sheets



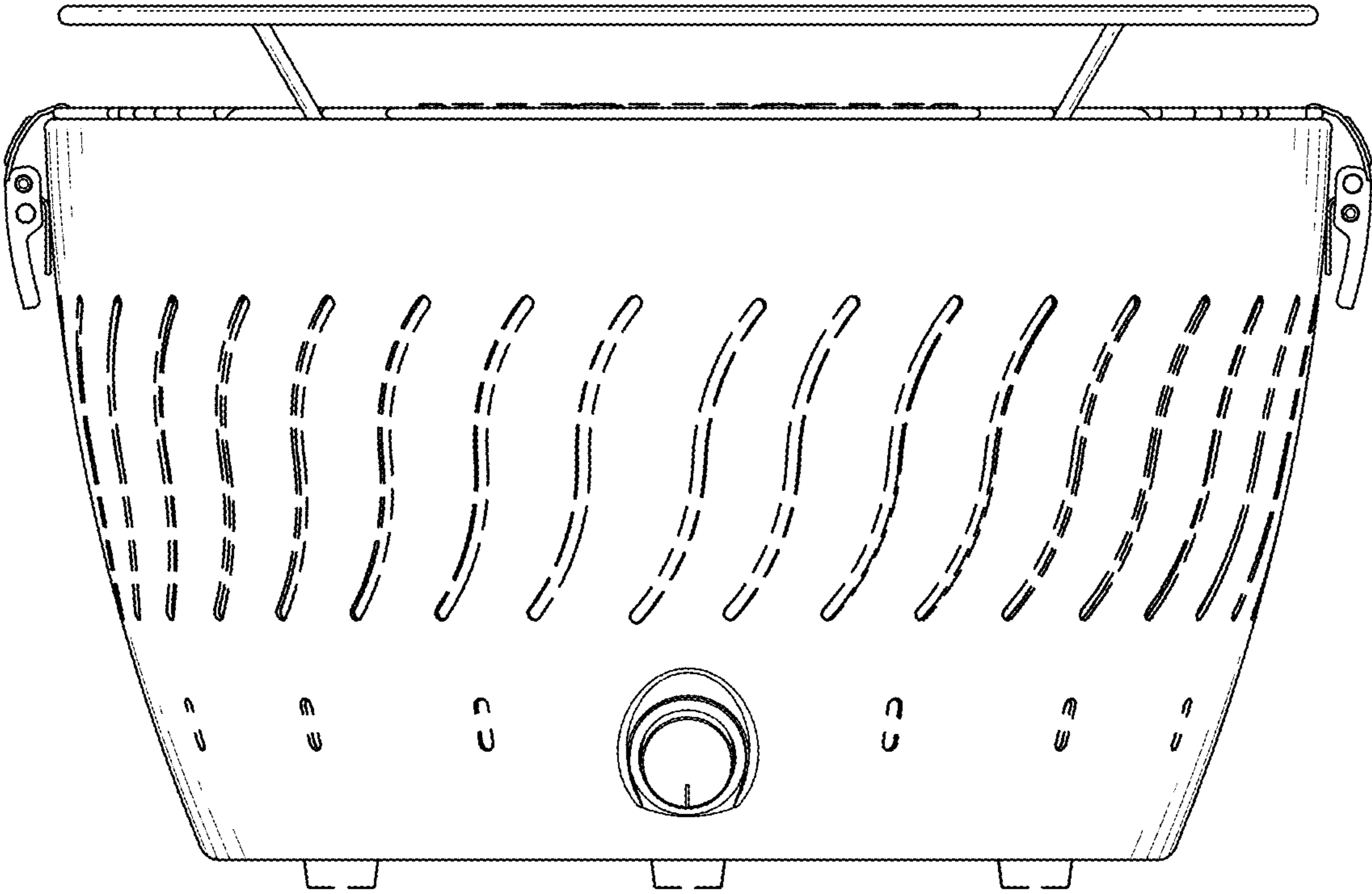


Fig. 1

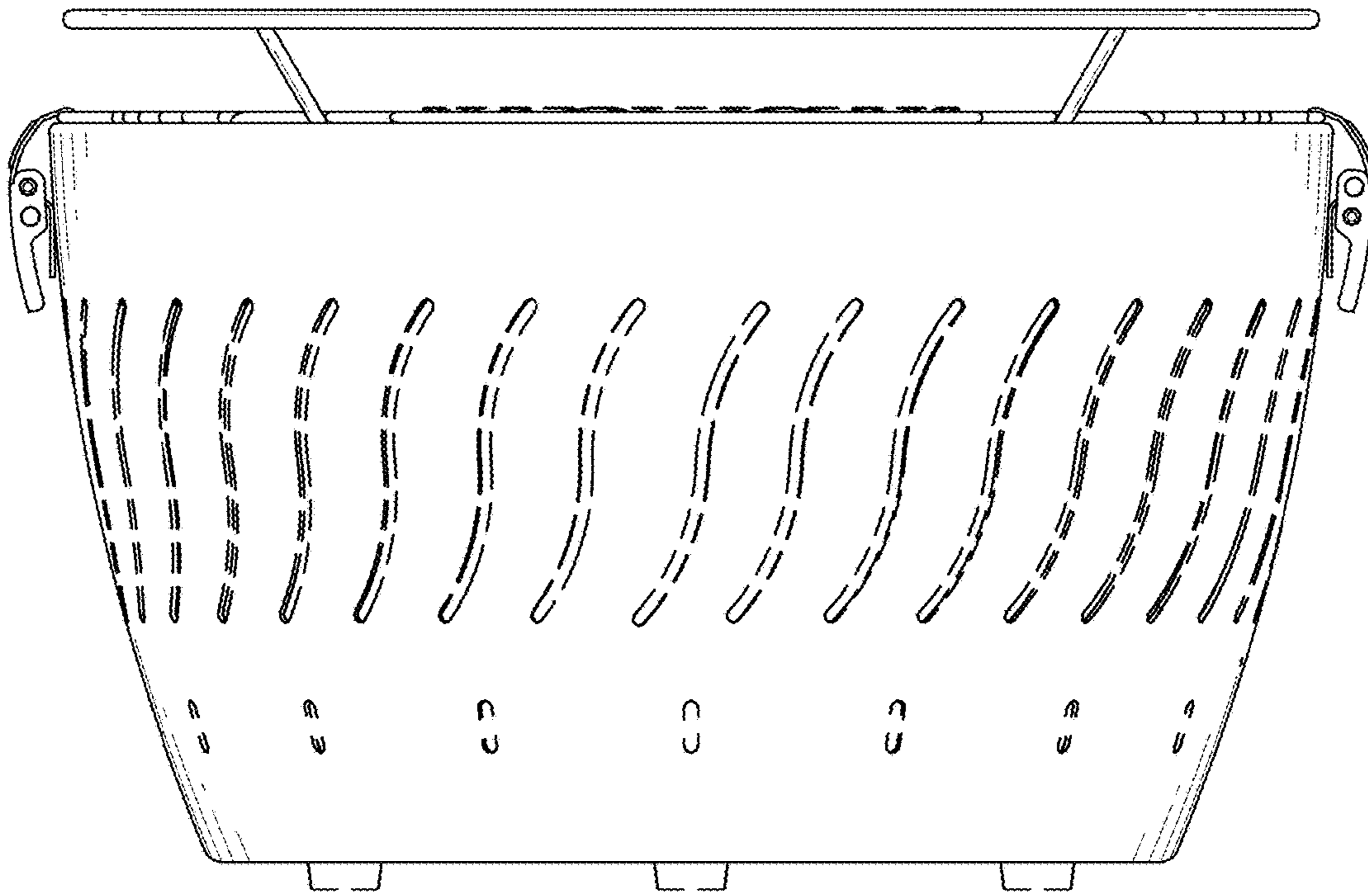


Fig. 2

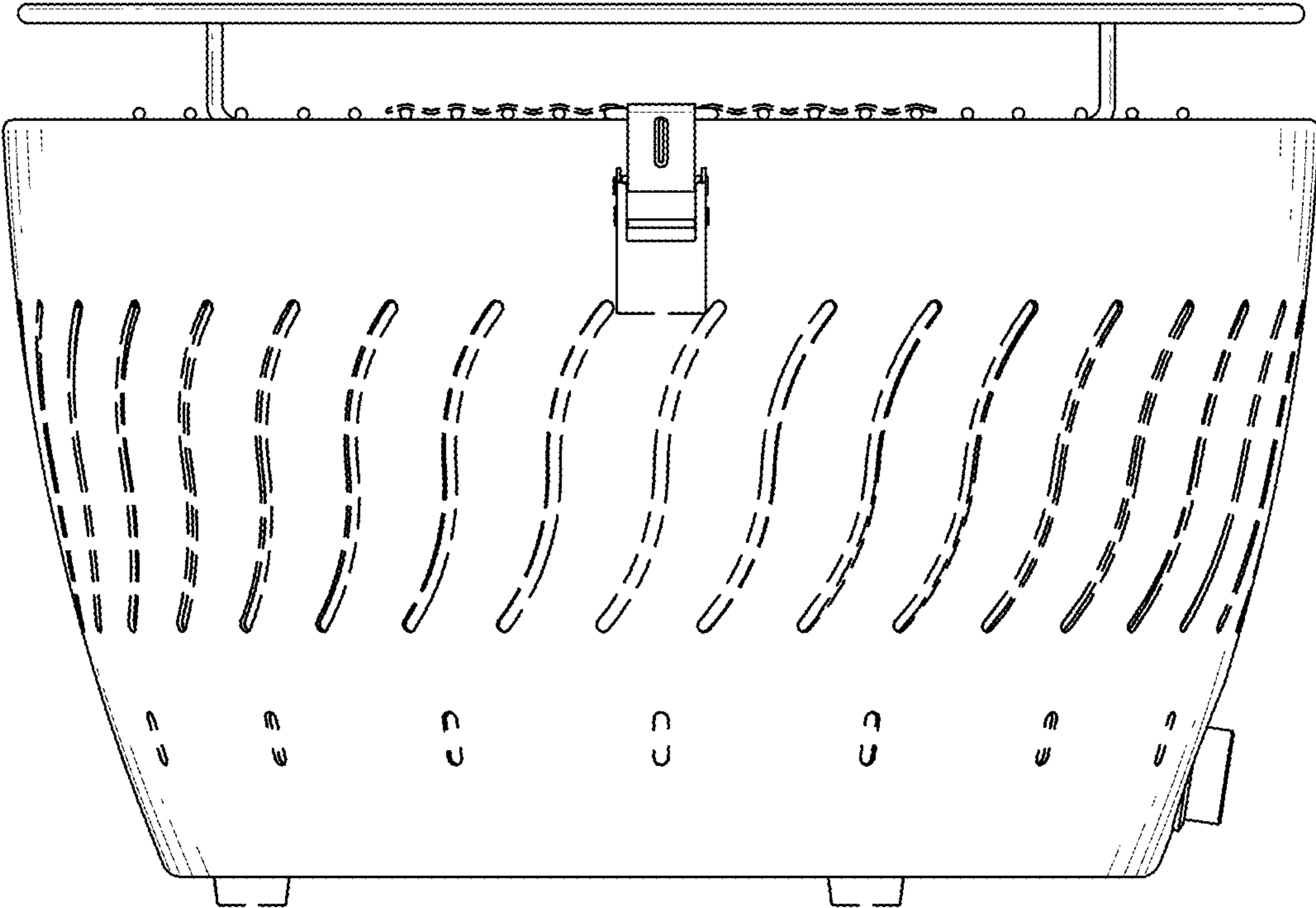


Fig. 3

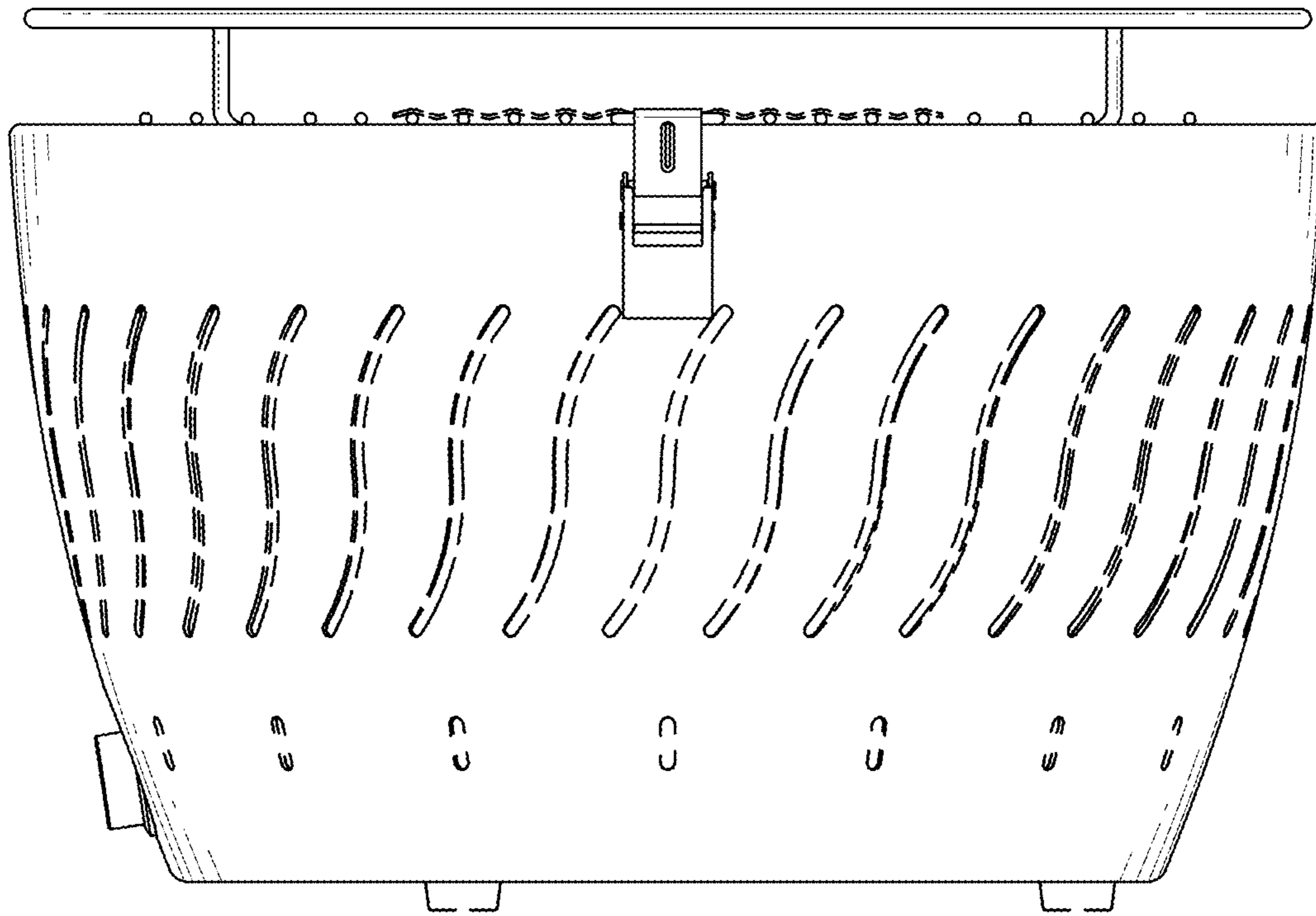


Fig. 4

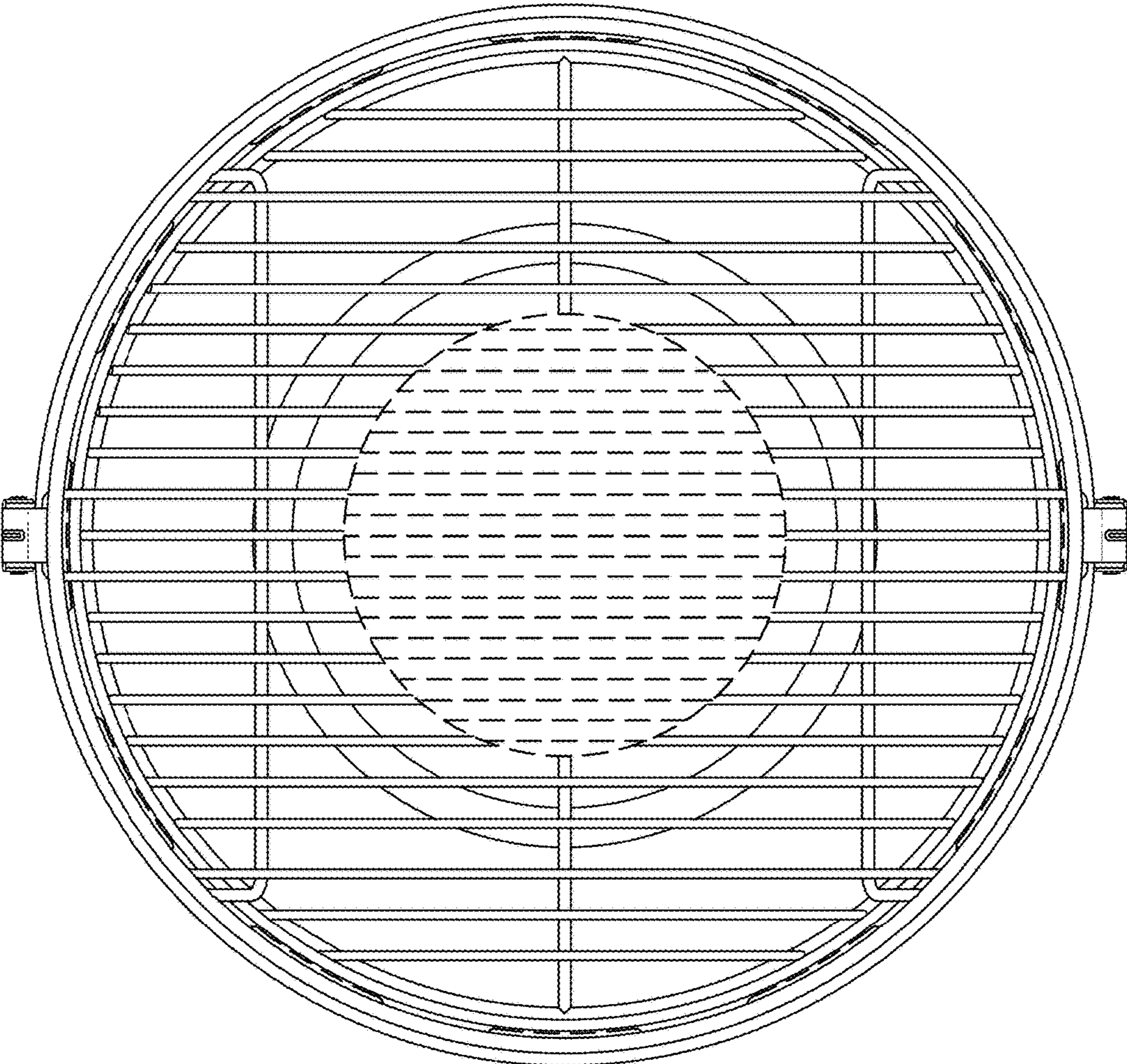


Fig. 5

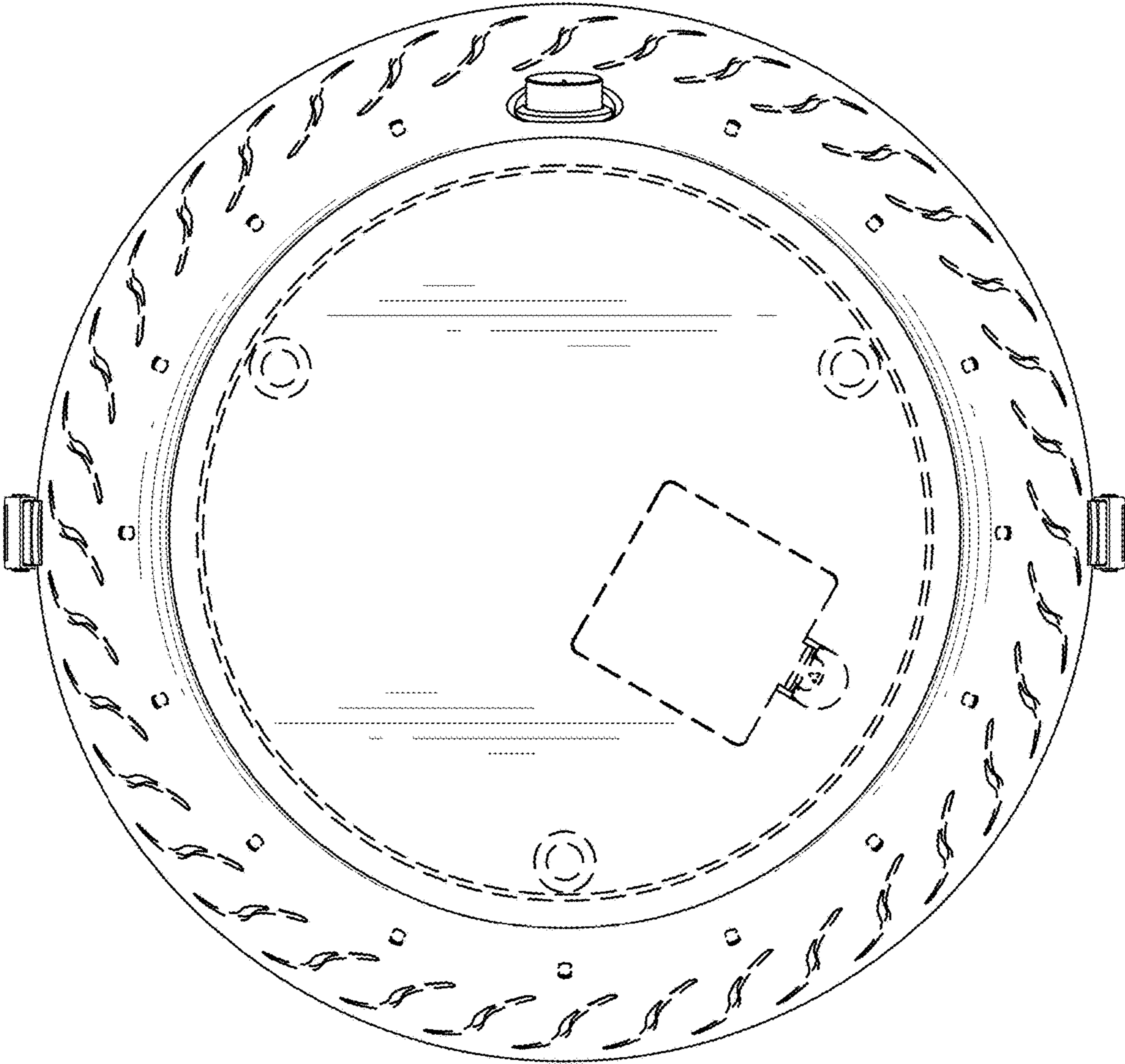


Fig. 6

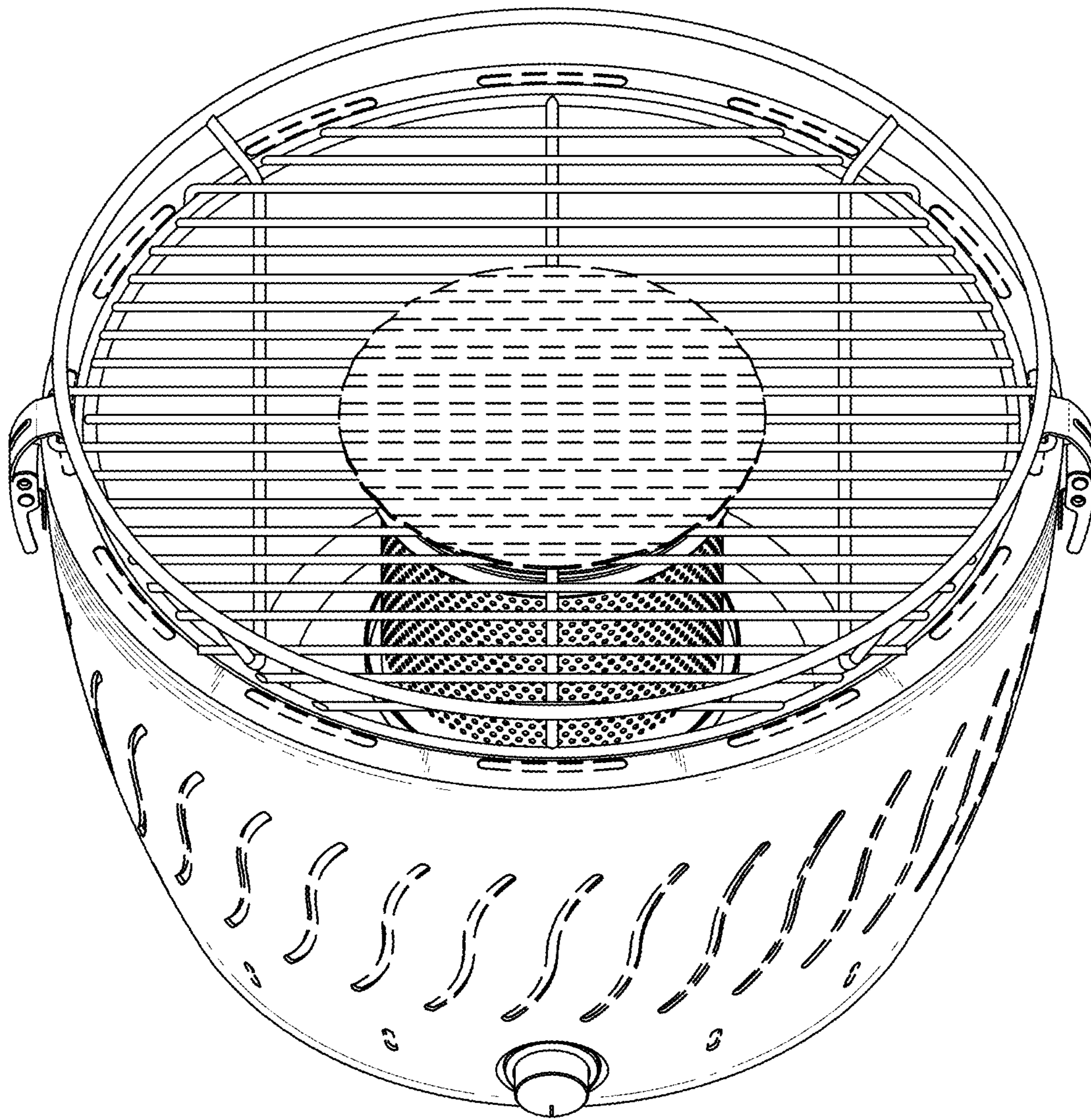


Fig. 7