



US00D789727S

(12) **United States Design Patent**
Rummel et al.

(10) **Patent No.:** **US D789,727 S**
(45) **Date of Patent:** **** Jun. 20, 2017**

(54) **WATER CONTAINER WITH LID AND FUNNEL**

D682,003 S * 5/2013 Kuzmin D7/319
D683,176 S * 5/2013 Kuzmin D7/319
D772,635 S * 11/2016 Zhu D7/317
D775,711 S * 1/2017 Poindexter D23/209

(71) Applicant: **BRITA GMBH**, Taunusstein (DE)

* cited by examiner

(72) Inventors: **Christian Rummel**, Benningen (DE);
Tim Storti, Schwieberdingen (DE)

Primary Examiner — Daniel Bui
Assistant Examiner — Andrew Kerr

(73) Assignee: **Brita GmbH**, Taunusstein (DE)

(74) *Attorney, Agent, or Firm* — Hudak, Shunk & Farine
Co., LPA

(**) Term: **15 Years**

(21) Appl. No.: **29/558,534**

(57) **CLAIM**

(22) Filed: **Mar. 18, 2016**

The ornamental design for a “water container with lid and funnel,” as shown and described.

(51) **LOC (10) Cl.** **07-01**

DESCRIPTION

(52) **U.S. Cl.**
USPC **D7/318**; D9/742

(58) **Field of Classification Search**
USPC D7/317, 318, 321; D23/209; 220/703
CPC A47J 31/06; A47G 19/14; A47G 19/145;
B65D 43/02; B01D 35/02
See application file for complete search history.

FIG. 1 is a right front perspective view of a water container with lid and funnel showing our new design;
FIG. 2 is a right side view thereof;
FIG. 3 is a left side view thereof;
FIG. 4 is a front view thereof;
FIG. 5 is a rear view thereof;
FIG. 6 is a top view thereof; and,
FIG. 7 is a bottom view thereof.

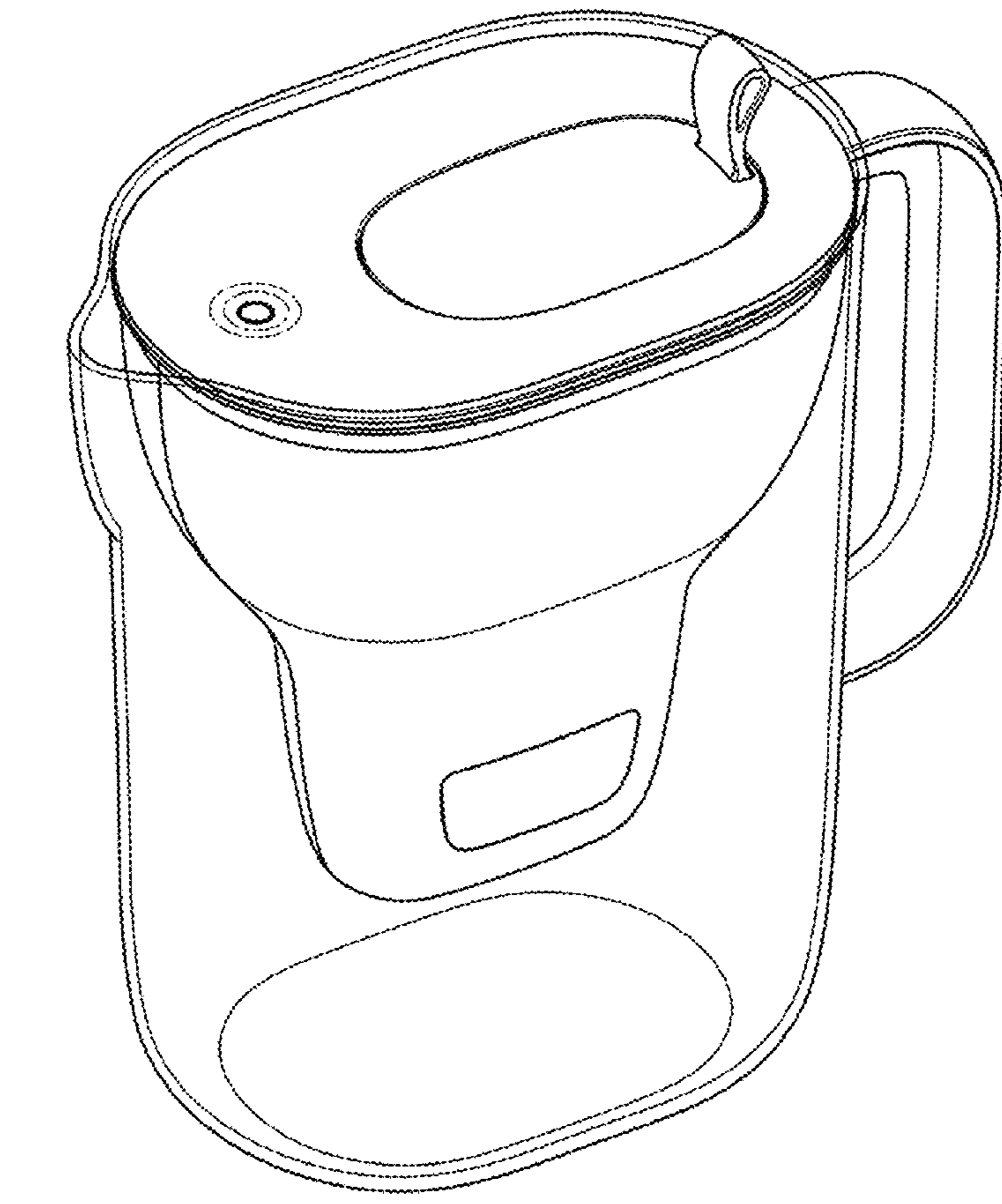
(56) **References Cited**

U.S. PATENT DOCUMENTS

The broken lines in the drawings depict portions of the water container with lid and funnel that form no part of the claim.

D439,790 S * 4/2001 Matsushita D7/317
D440,110 S * 4/2001 Tanner D7/317

1 Claim, 7 Drawing Sheets



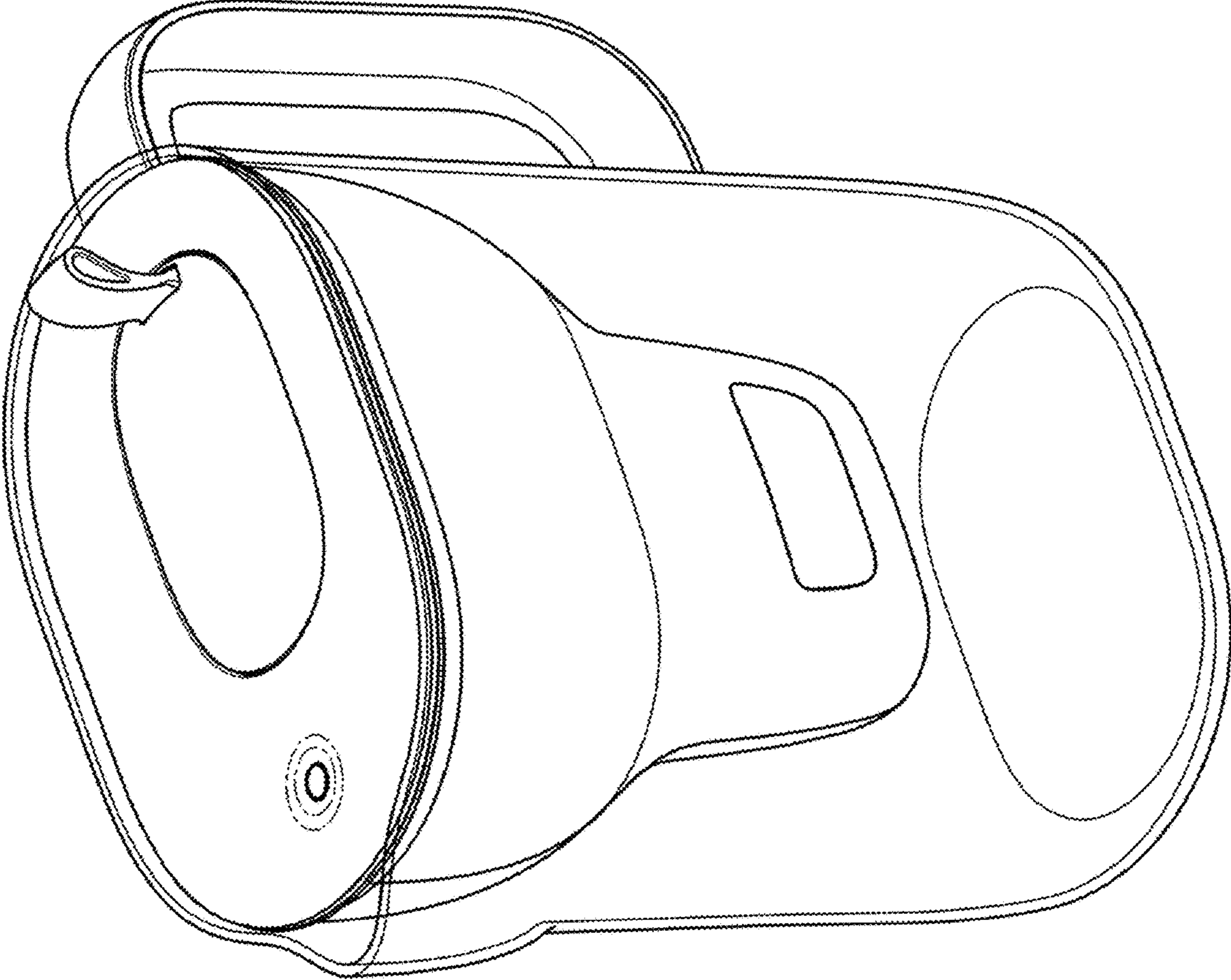


FIG. 1

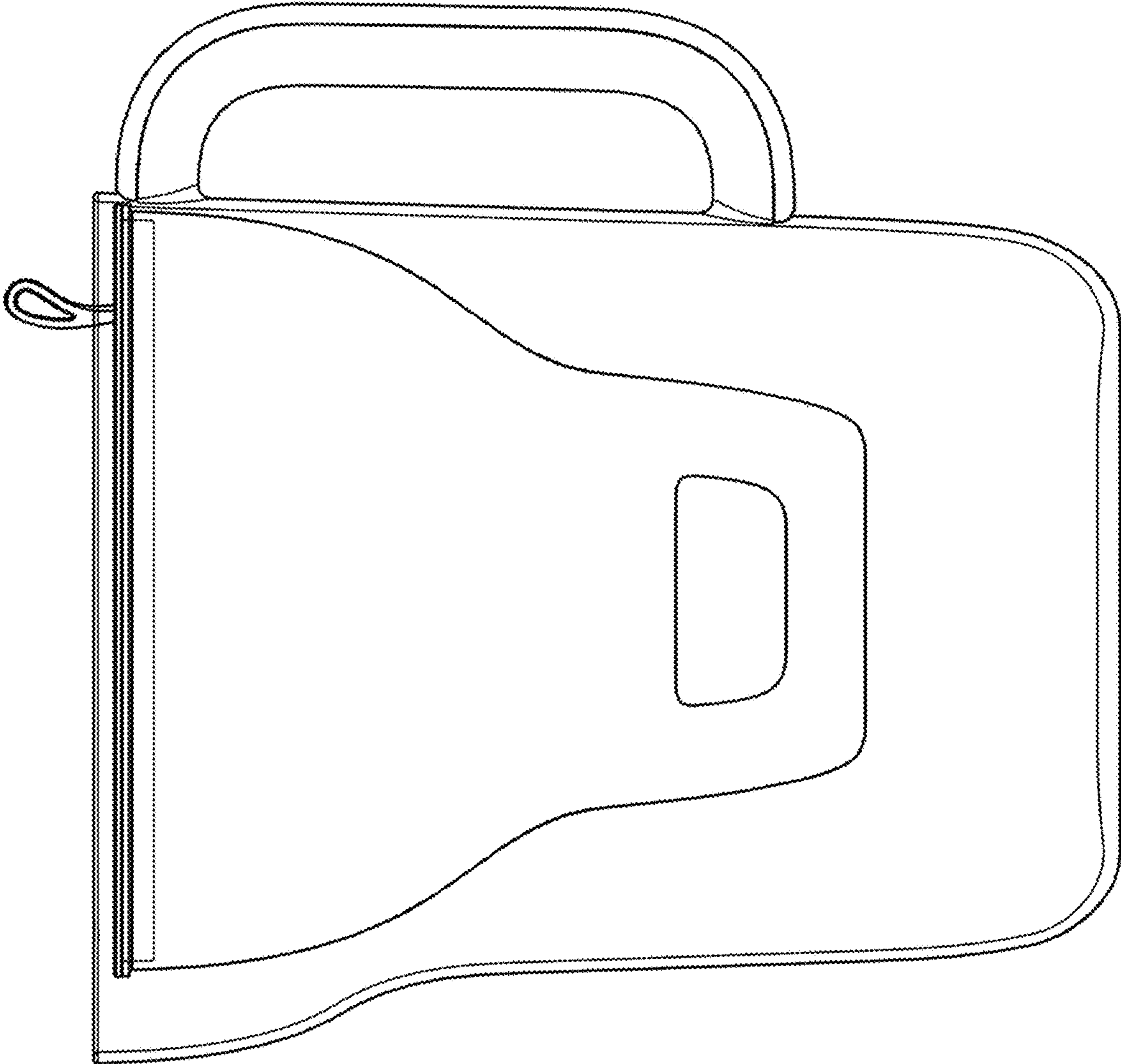


FIG. 2

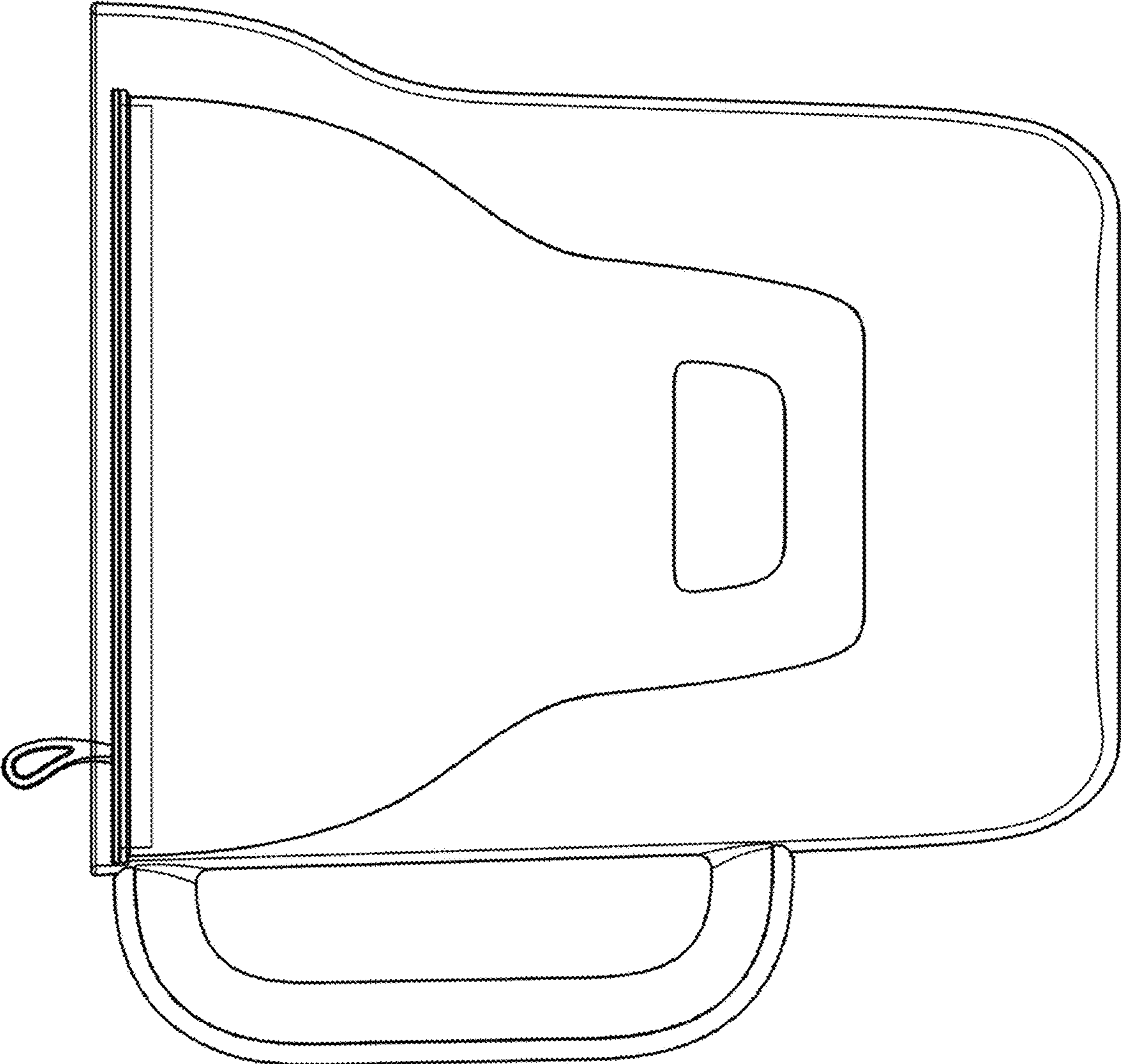


FIG. 3

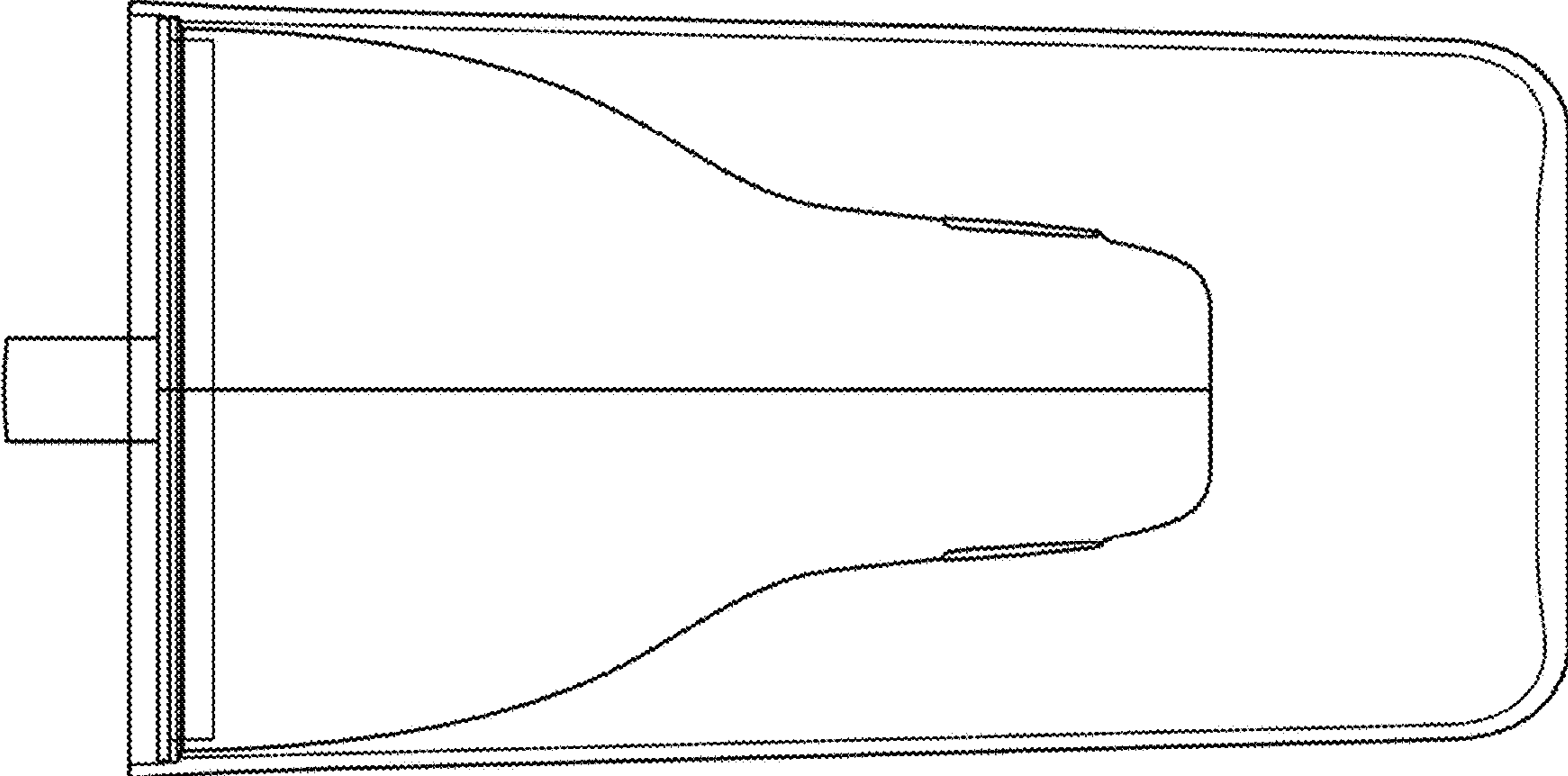


FIG. 4

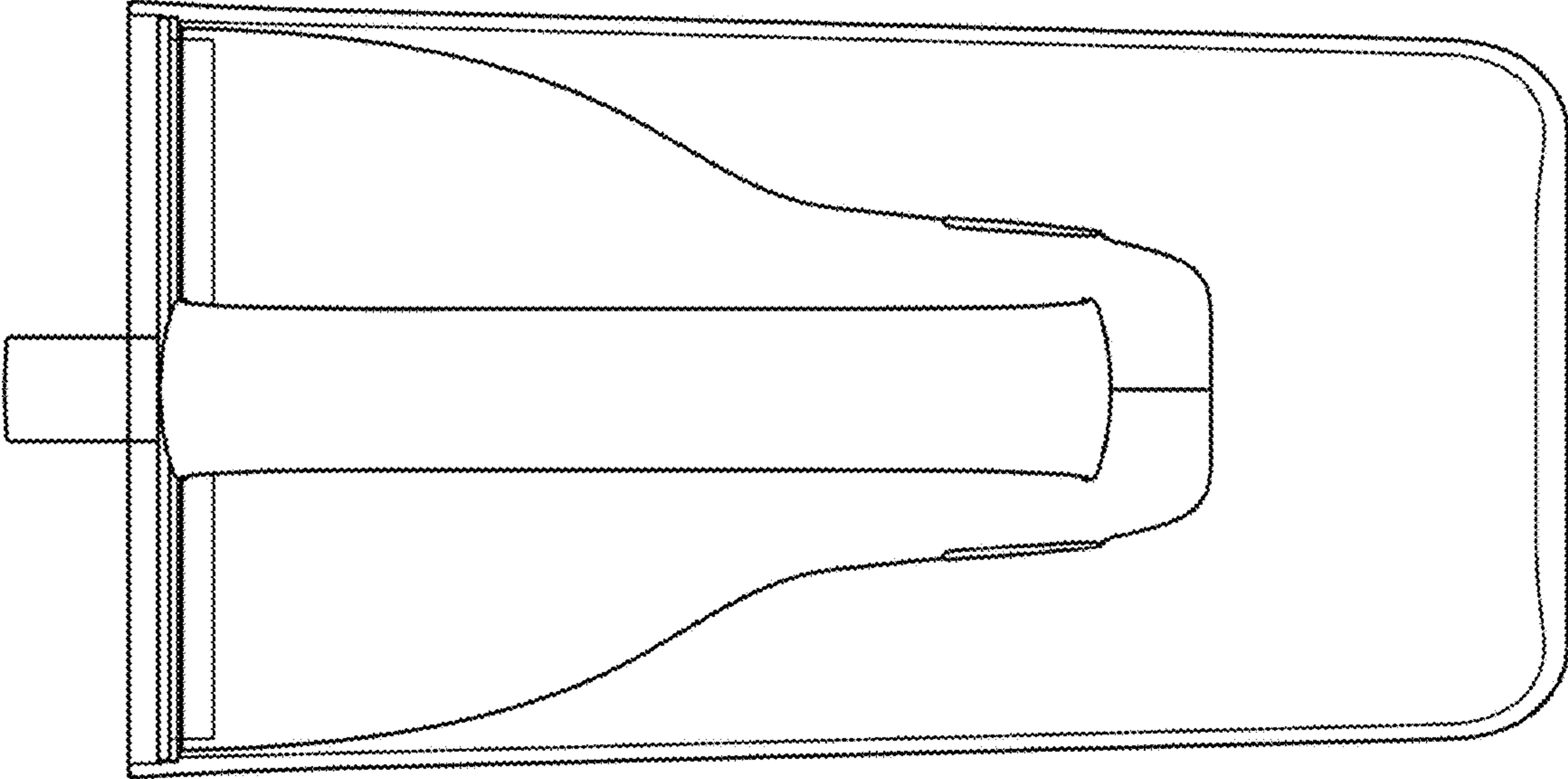


FIG. 5

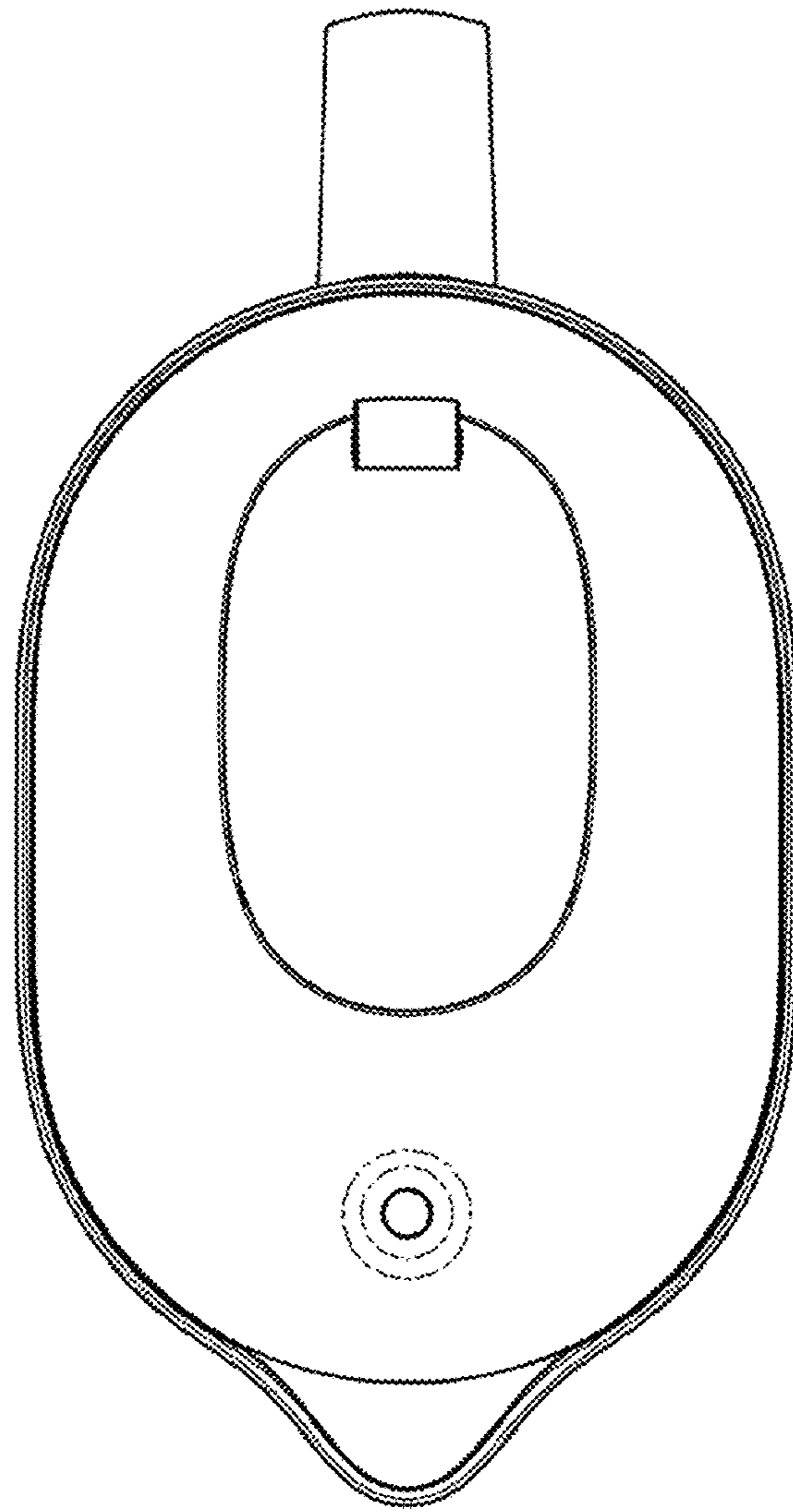


FIG. 6

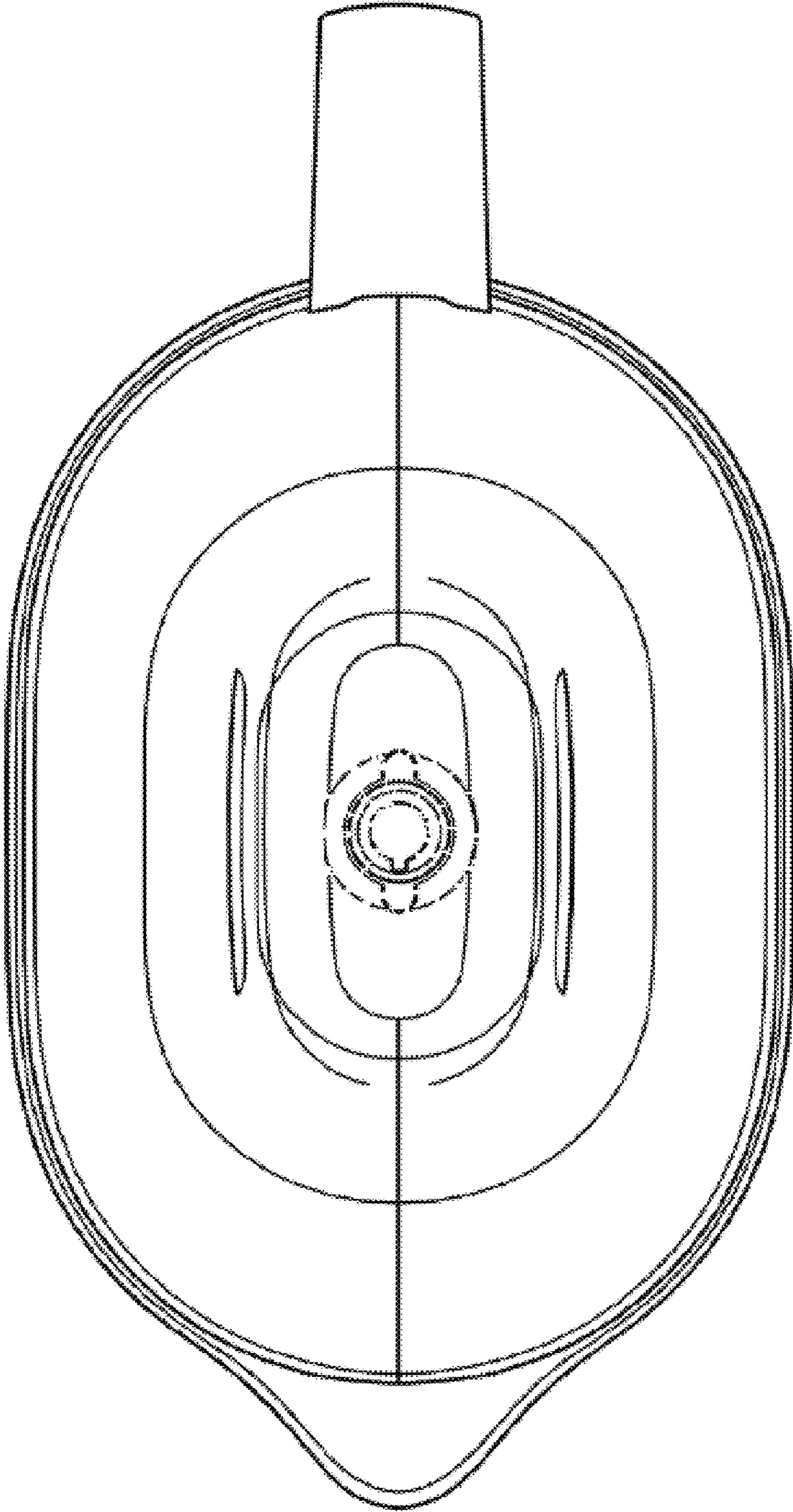


FIG. 7