



US00D789723S

(12) **United States Design Patent**
Walser

(10) **Patent No.:** **US D789,723 S**
(45) **Date of Patent:** **** Jun. 20, 2017**

- (54) **SEAT**
- (71) Applicant: **Inventor Group GmbH**, Wollerau (CH)
- (72) Inventor: **Thomas Walser**, Kreuzlingen (CH)
- (73) Assignee: **Inventor Group GmbH**, Wollerau (CH)
- (**) Term: **15 Years**
- (21) Appl. No.: **29/546,444**
- (22) Filed: **Nov. 23, 2015**
- (51) **LOC (10) Cl.** **06-01**
- (52) **U.S. Cl.**
USPC **D6/716.1**
- (58) **Field of Classification Search**
USPC D6/334, 349–355, 363, 360, 368, 374, D6/403, 405, 685, 688.17, 693–693.3, D6/695, 708, 708.15–708.25, 709.11, 716, D6/716.1
CPC A47C 9/00–9/105; A47C 7/00–7/02; A47C 16/00–16/04; A47B 7/00–7/02; A47B 3/00; A47B 3/02; A47B 3/04; A47B 3/12
See application file for complete search history.

D381,821 S	8/1997	Miles	
5,746,481 A	5/1998	Obermaier	
D447,649 S *	9/2001	Mason	D6/708
D454,438 S	3/2002	Volkman et al.	
D454,706 S	3/2002	Volkman et al.	
D481,562 S *	11/2003	Shilling	D6/708
6,644,742 B1	11/2003	Walser	
6,997,512 B1 *	2/2006	Yu	A47C 3/16 108/94
D530,531 S	10/2006	Kita	
D565,313 S	4/2008	Johnsen	
D671,772 S	12/2012	Lee et al.	
D720,143 S	12/2014	Barber et al.	
D746,073 S *	12/2015	Elmaleh	D6/349
D748,924 S *	2/2016	Walser	D6/352
D753,946 S *	4/2016	Frye	D6/716.1
D764,199 S *	8/2016	Bosman	D6/352
D764,200 S *	8/2016	Elmaleh	D6/349
2011/0221255 A1	9/2011	Weber et al.	
2013/0320727 A1	12/2013	Martin et al.	
2013/0334846 A1	12/2013	Bahneman et al.	

* cited by examiner

Primary Examiner — Vy Koenig
(74) Attorney, Agent, or Firm — Smartpat PLC

(57) **CLAIM**

I claim the ornamental design for a seat, as shown and described.

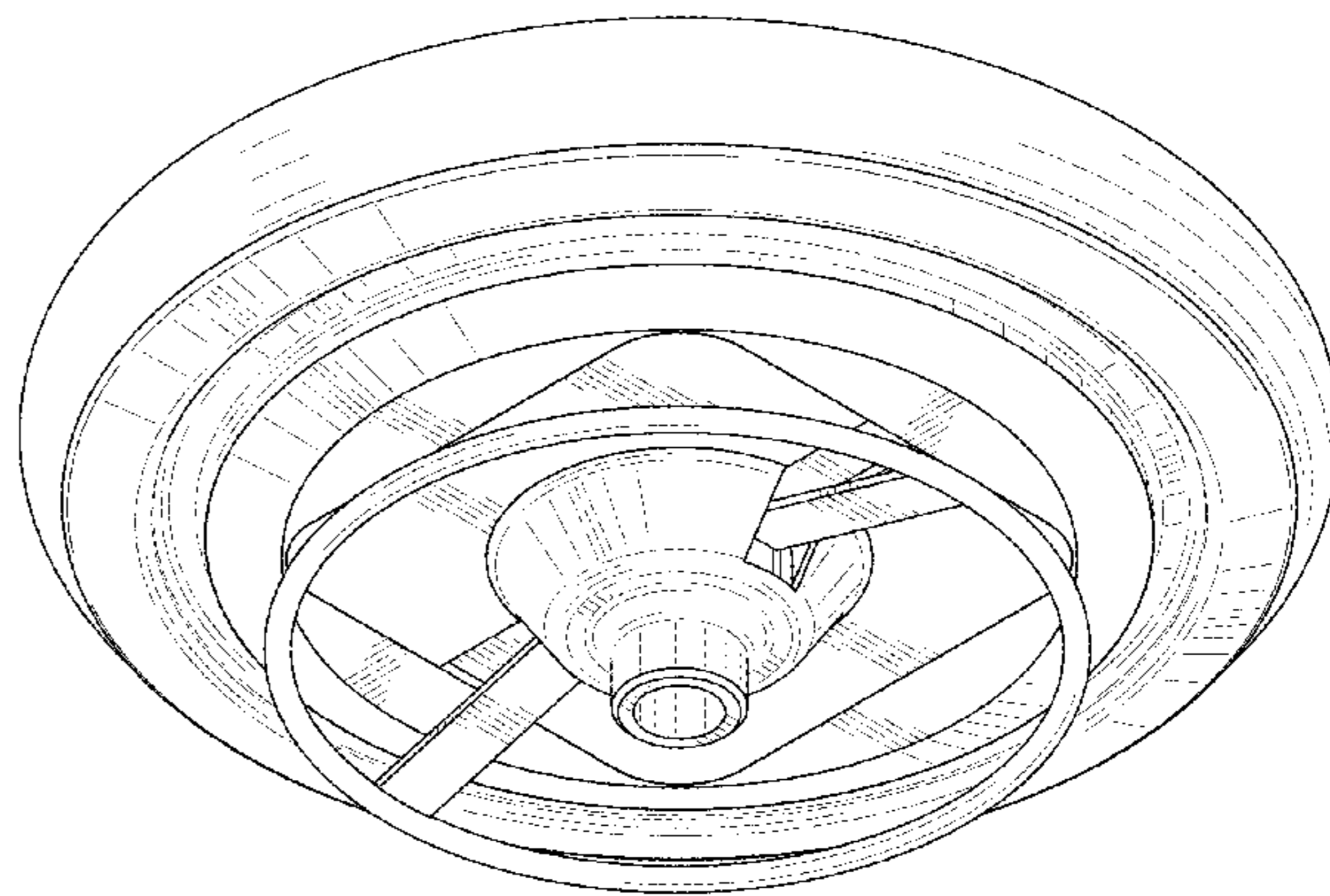
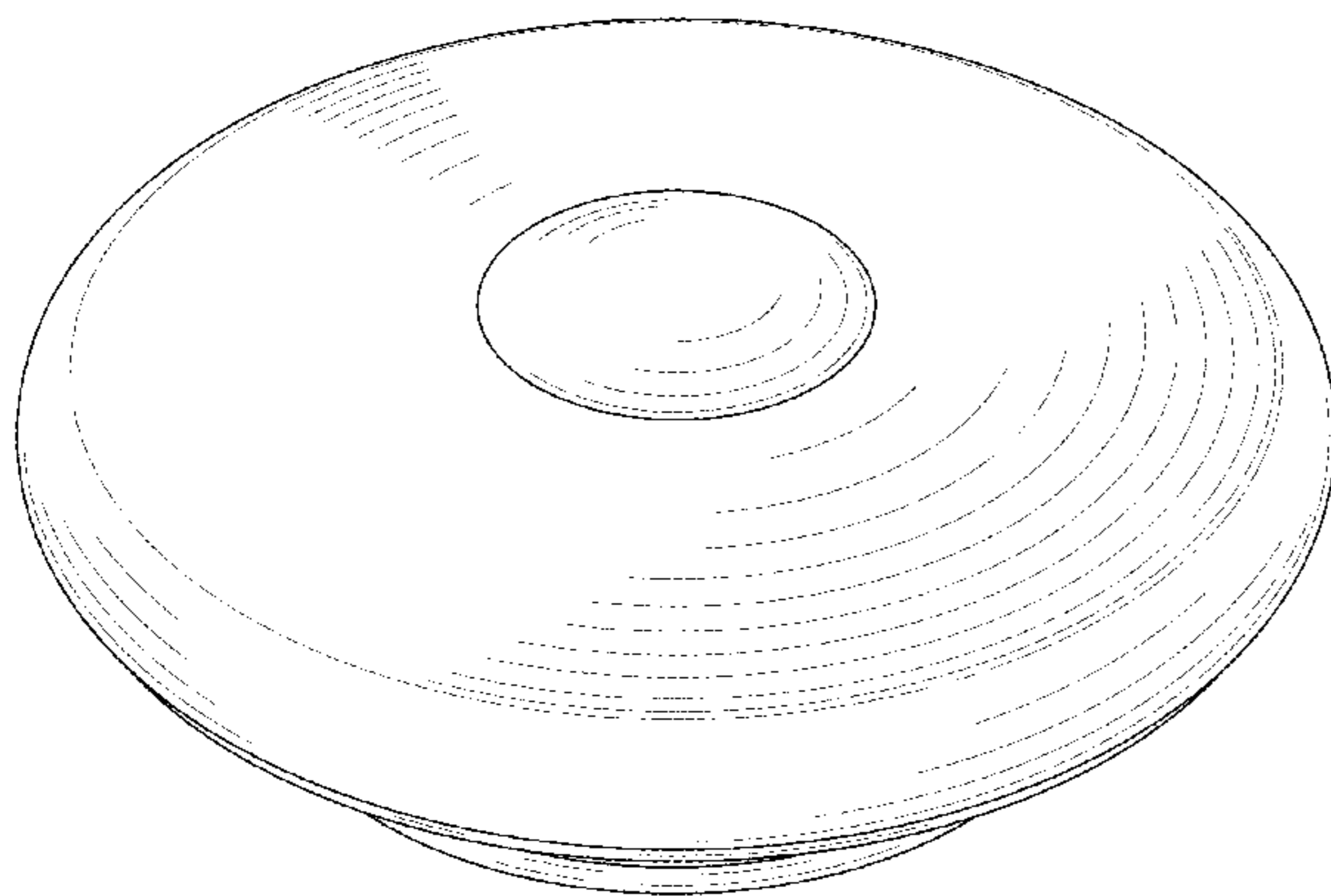
DESCRIPTION

FIG. 1 is a top perspective view of a seat showing my new design;
FIG. 2 is a bottom perspective view thereof;
FIG. 3 is a front view thereof, the rear view being identical;
FIG. 4 is a left side view thereof, the right side view being identical;
FIG. 5 is a top view thereof; and,
FIG. 6 is a bottom view thereof.

1 Claim, 5 Drawing Sheets

(56) **References Cited**
U.S. PATENT DOCUMENTS

513,584 A	1/1894	Leisenring	
3,295,621 A	1/1967	Deeley et al.	
3,312,437 A	4/1967	Valerie	
D225,283 S	11/1972	Axelrod	
4,130,263 A	12/1978	Roericht	
D277,906 S *	3/1985	Platner	D6/352
D283,856 S	5/1986	Elmaleh	
D292,147 S	10/1987	Lomedico et al.	
D313,896 S	1/1991	Kaye	
5,044,587 A	9/1991	Degen	



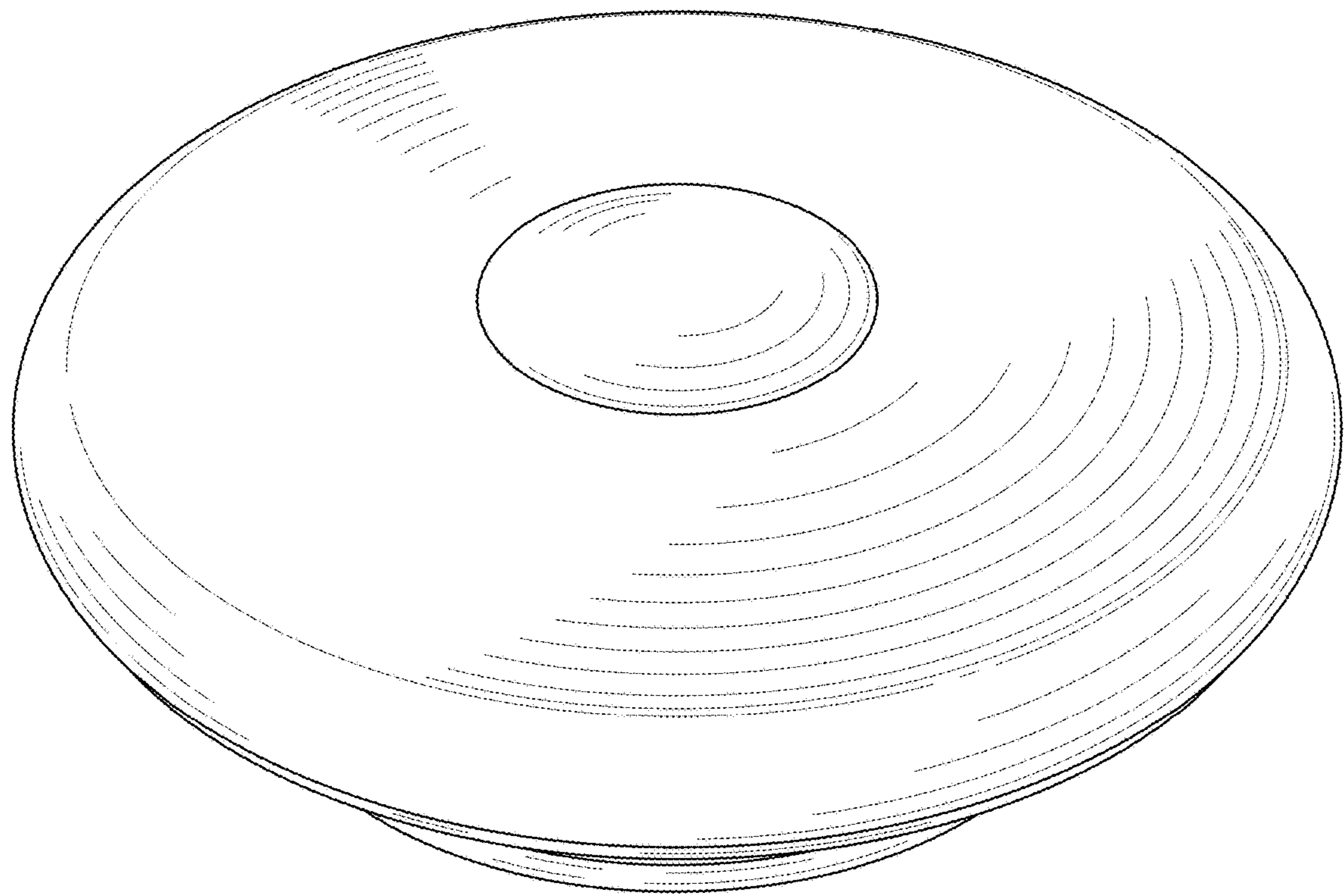


FIG. 1

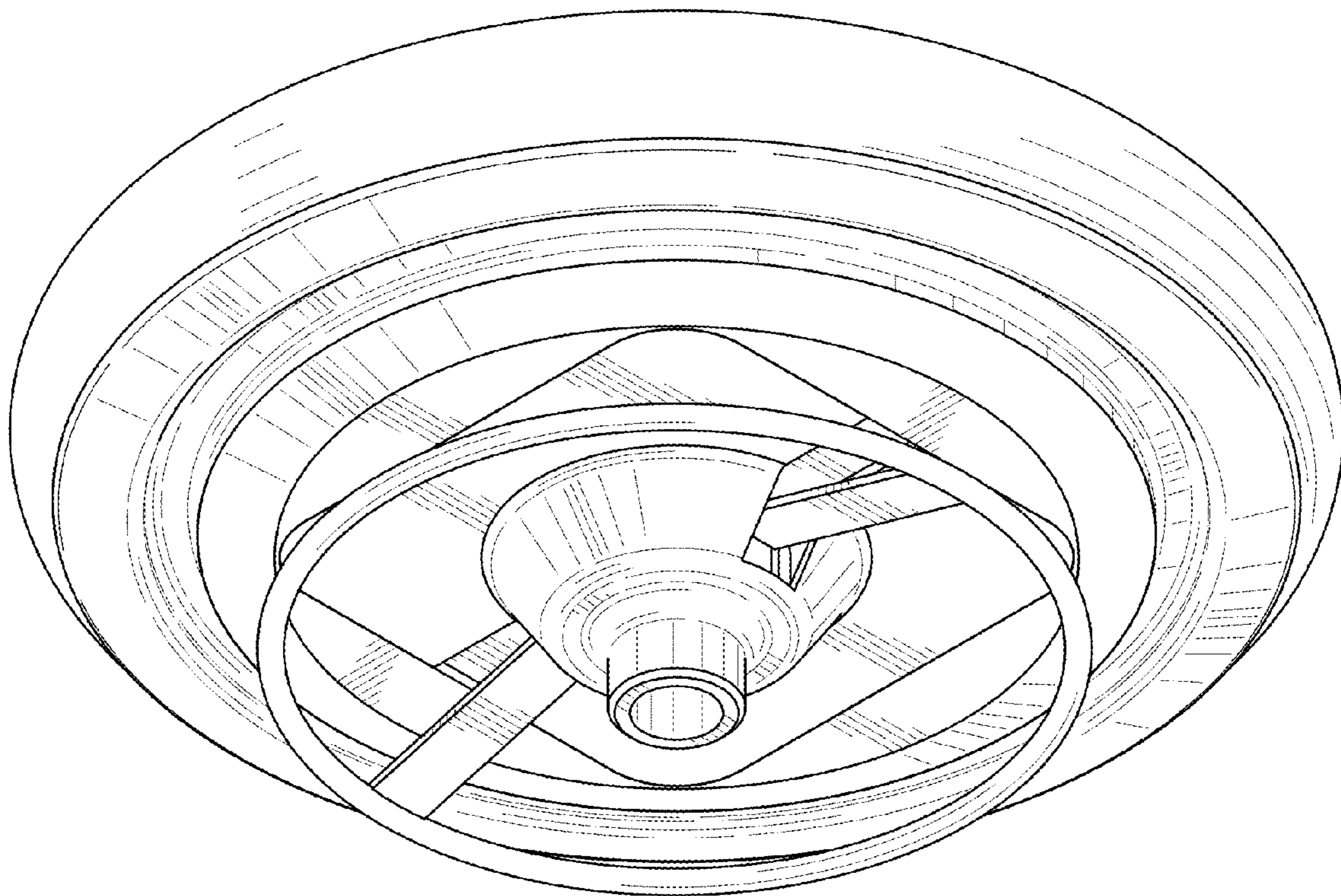


FIG. 2

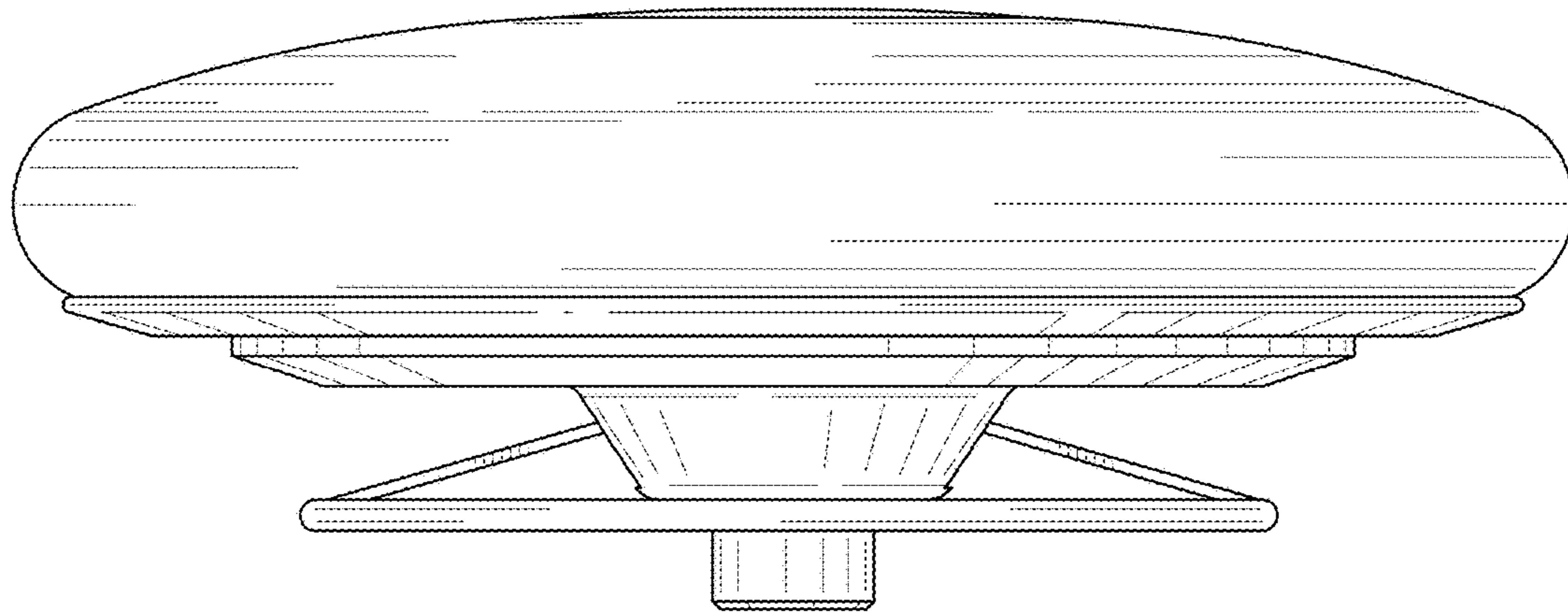


FIG. 3

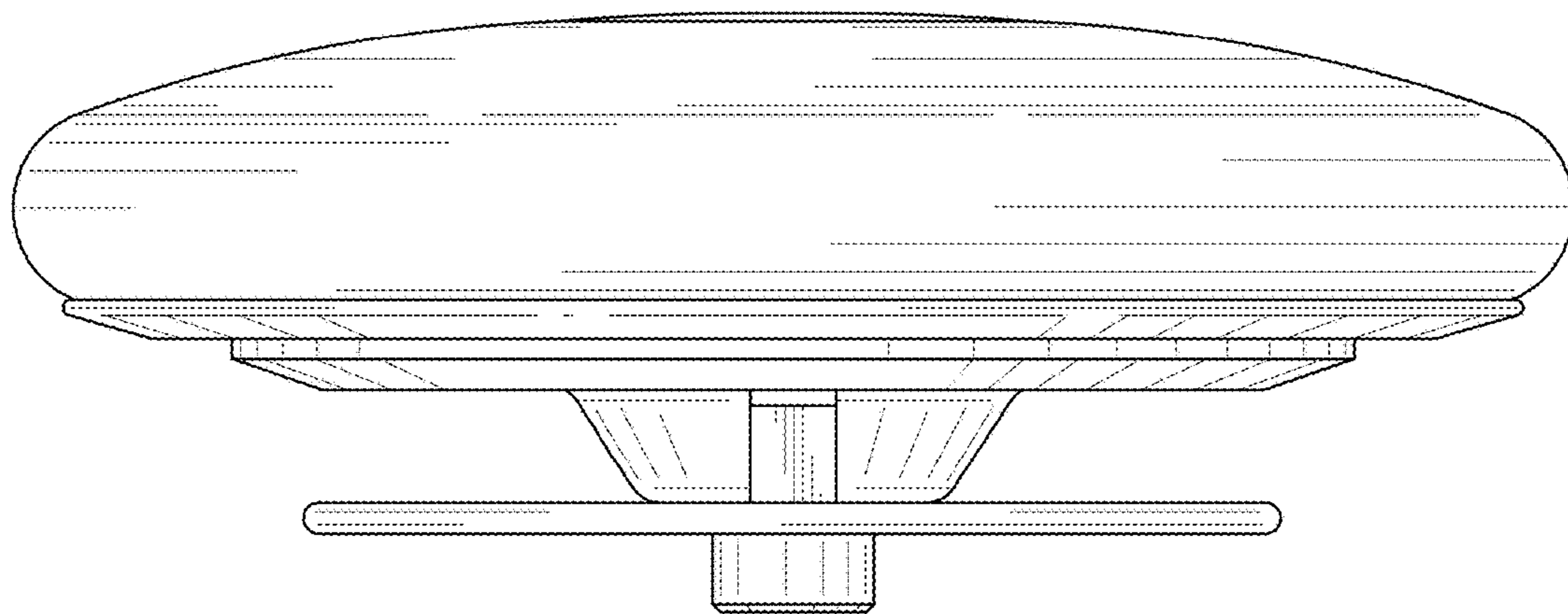


FIG. 4



FIG. 5

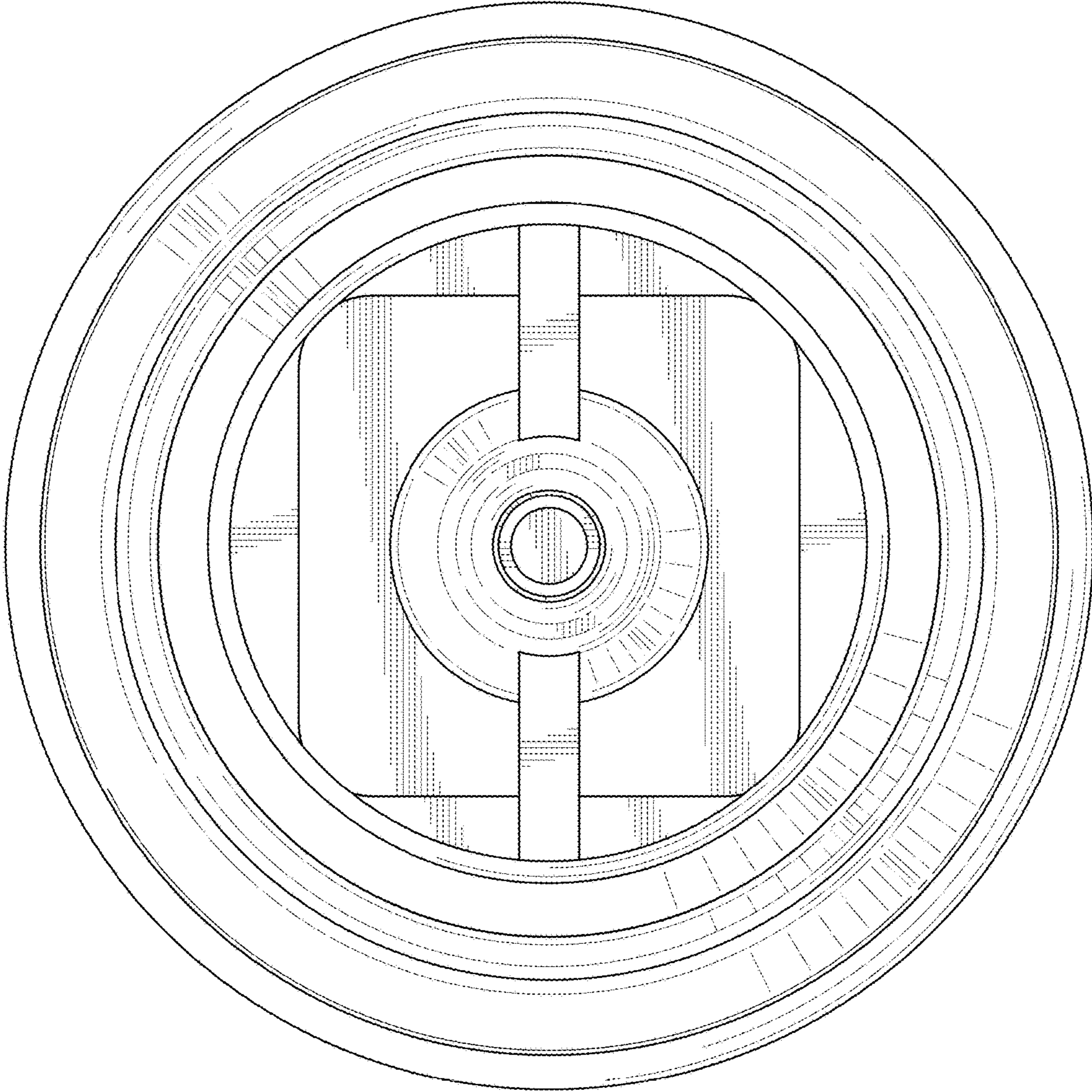


FIG. 6