



US00D789720S

(12) **United States Design Patent**
Hurford

(10) **Patent No.:** **US D789,720 S**
(45) **Date of Patent:** **** Jun. 20, 2017**

(54) **TABLE**

(71) Applicant: **OKAMURA CORPORATION**,
Yokohama-shi, Kanagawa (JP)

(72) Inventor: **Alexander Hurford**, Yokohama (JP)

(73) Assignee: **Okamura Corporation**, Kanagawa (JP)

(**) Term: **15 Years**

(21) Appl. No.: **29/557,630**

(22) Filed: **Mar. 10, 2016**

(51) **LOC (10) Cl.** **06-06**

(52) **U.S. Cl.**
USPC **D6/709**

(58) **Field of Classification Search**
USPC D6/671, 675, 677, 685, 687, 690, 691,
D6/691.1, 691.2, 691.3, 691.4, 691.5,
D6/691.9, 693, 695, 695.2, 696, 697, 698,
D6/699, 699.2, 703, 707, 708, 709, 709.2
CPC A47B 7/00; A47B 13/08; A47B 13/10;
A47B 21/00; A47B 2009/006; A47B
11/00
See application file for complete search history.

D684,414 S * 6/2013 Tsuchiyama D6/709
D723,850 S * 3/2015 Mueller D6/709
D732,852 S * 6/2015 Park D6/656
D759,412 S * 6/2016 Koning D6/709
D763,609 S * 8/2016 Copier D6/709
D775,876 S * 1/2017 Gaschy D6/691
2005/0284341 A1* 12/2005 Klassy A47B 21/00
108/50.02
2006/0096506 A1* 5/2006 Brauning A47B 13/02
108/50.02
2006/0162626 A1* 7/2006 Brauning A47B 1/08
108/143
2007/0251428 A1* 11/2007 Mead A47B 13/02
108/50.02

* cited by examiner

Primary Examiner — Mary Ann Calabrese
Assistant Examiner — Sloan Rozin
(74) *Attorney, Agent, or Firm* — Sughrue Mion, PLLC

(57) **CLAIM**

The ornamental design for a table, as shown and described.

DESCRIPTION

FIG. 1 is a perspective view of a table.
FIG. 2 is a front elevation view thereof.
FIG. 3 is a rear elevation view thereof.
FIG. 4 is a left side elevation view thereof.
FIG. 5 is a top plan view thereof.
FIG. 6 is a bottom plan view thereof; and,
FIG. 7 is an enlarged perspective view with the broken lines removed for clarity of disclosure.
The broken lines shown in the drawings illustrate portions of the table that form no part of the claimed design.

1 Claim, 7 Drawing Sheets

(56) **References Cited**
U.S. PATENT DOCUMENTS

D183,441 S * 8/1958 Williams D6/709
D259,551 S * 6/1981 Oatman D34/17
D498,949 S * 11/2004 Frenkler D6/691.8
D505,810 S * 6/2005 Henriott D6/691
D585,218 S * 1/2009 Hamilton D6/656
D641,186 S * 7/2011 Martin D6/709
D653,879 S * 2/2012 Najarian D6/691.1

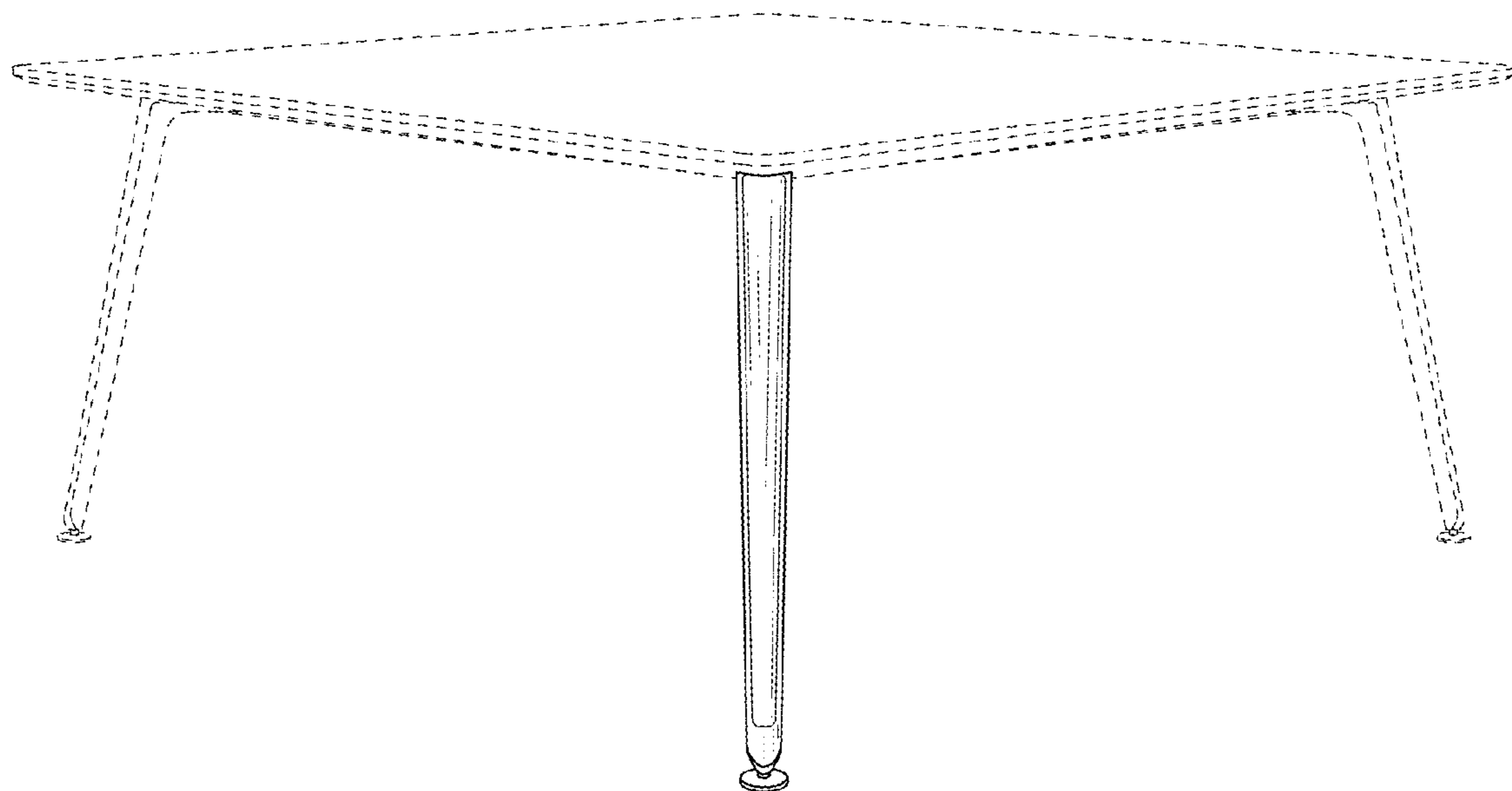


FIG. 1

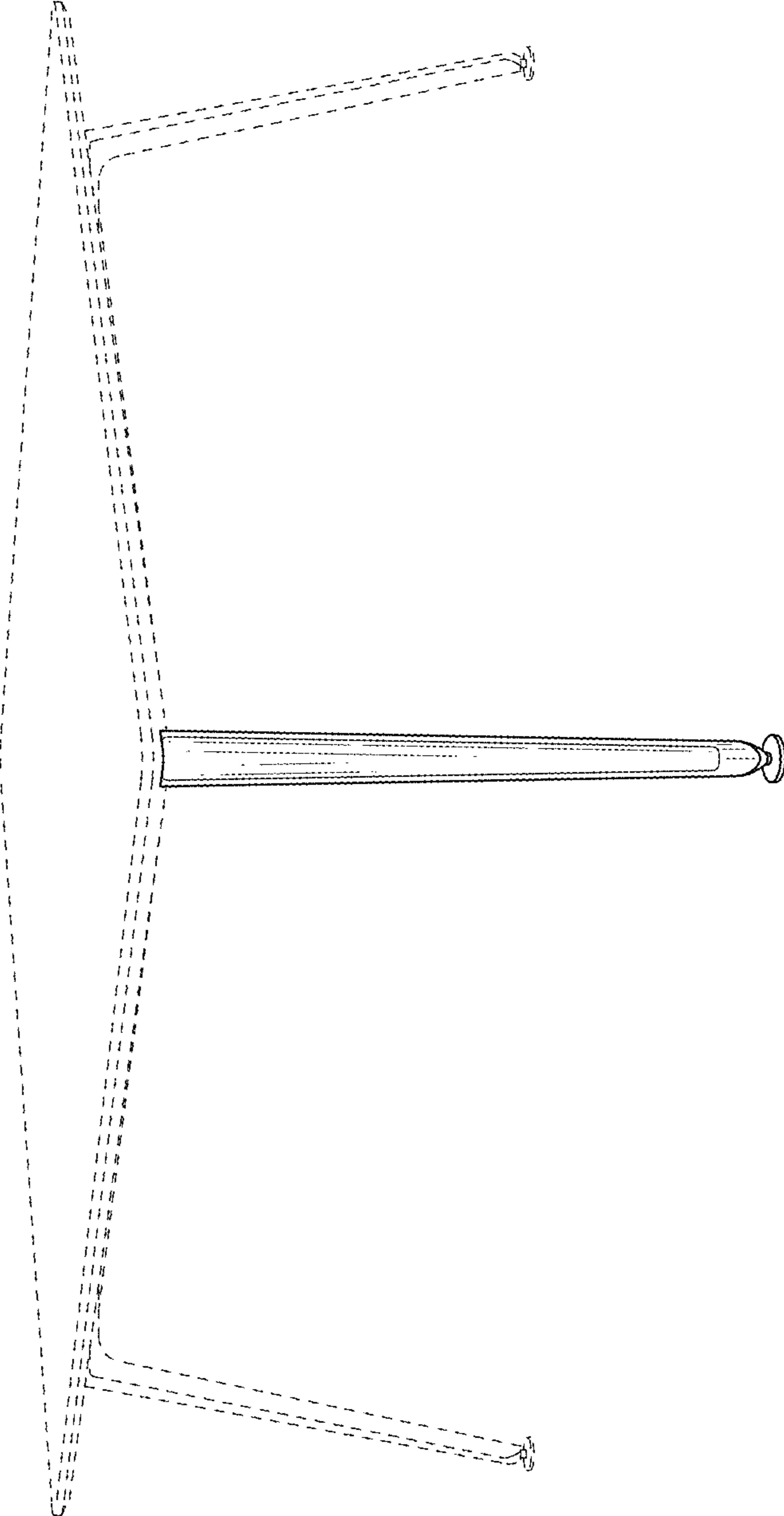


FIG. 2

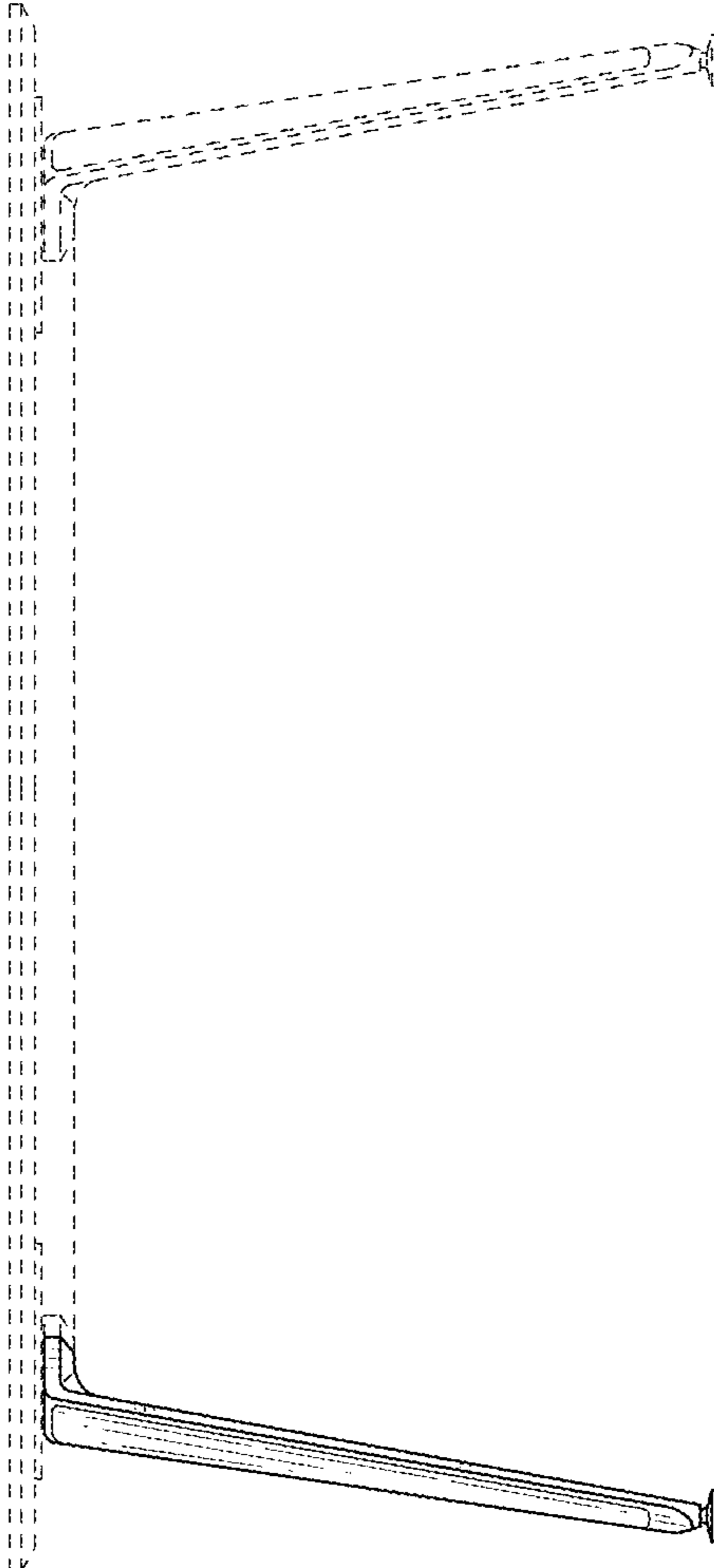


FIG. 3

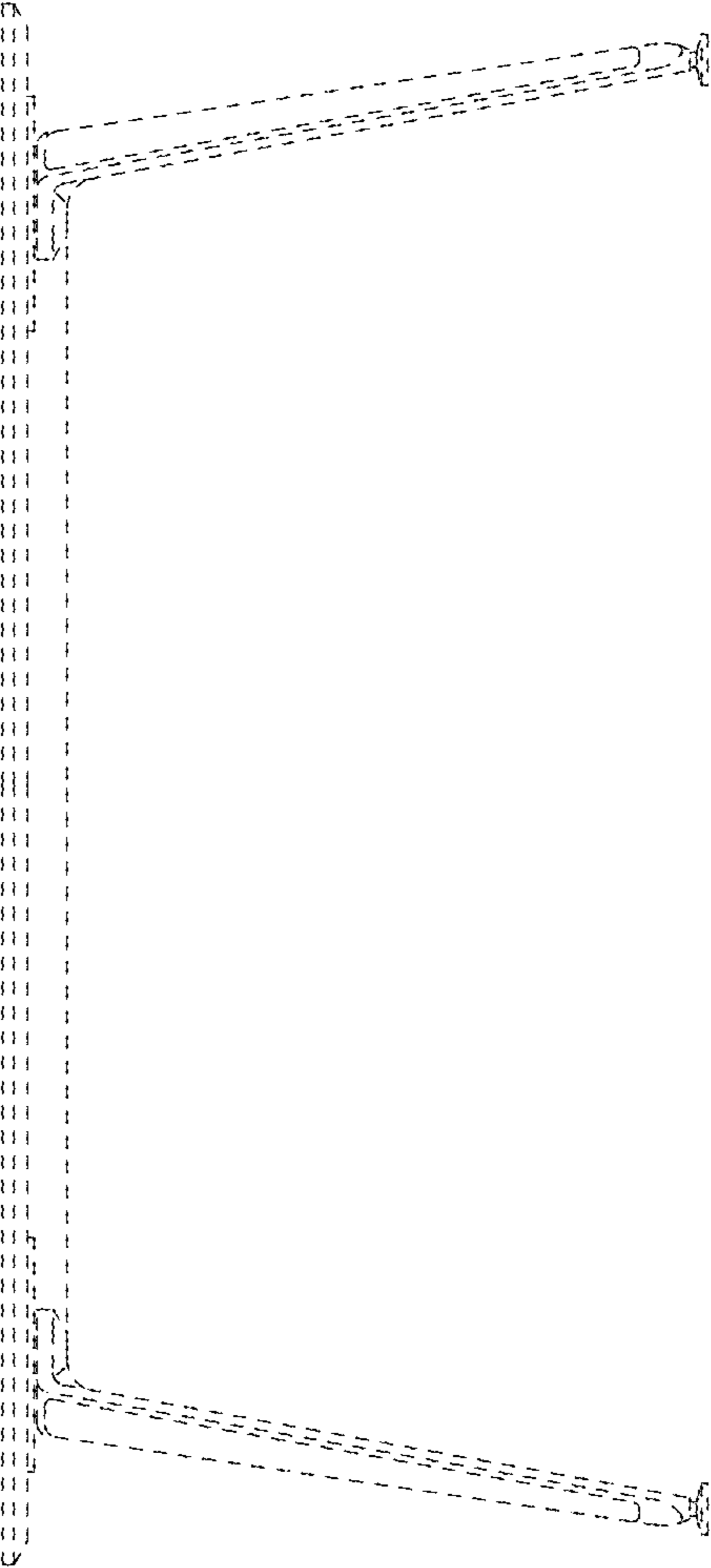


FIG. 4

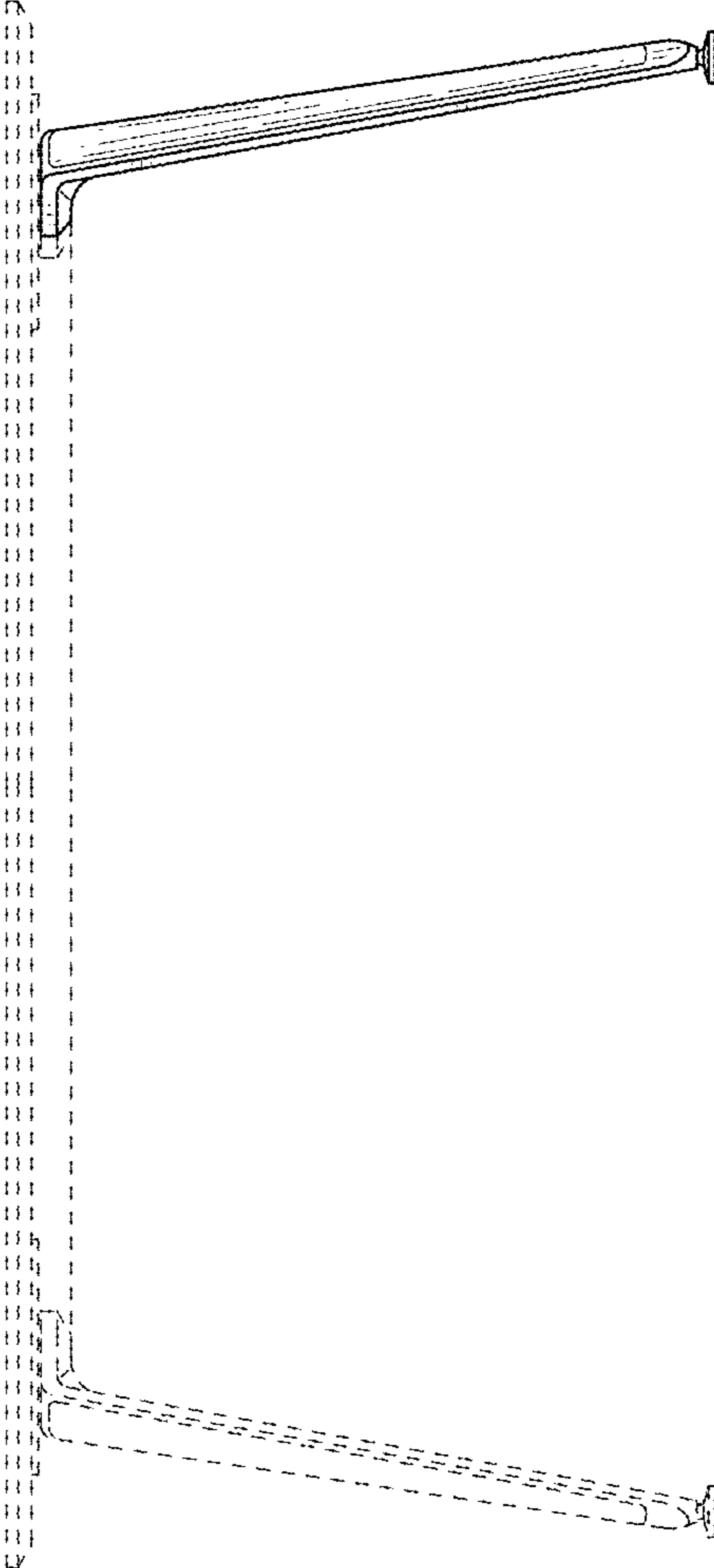


FIG. 5

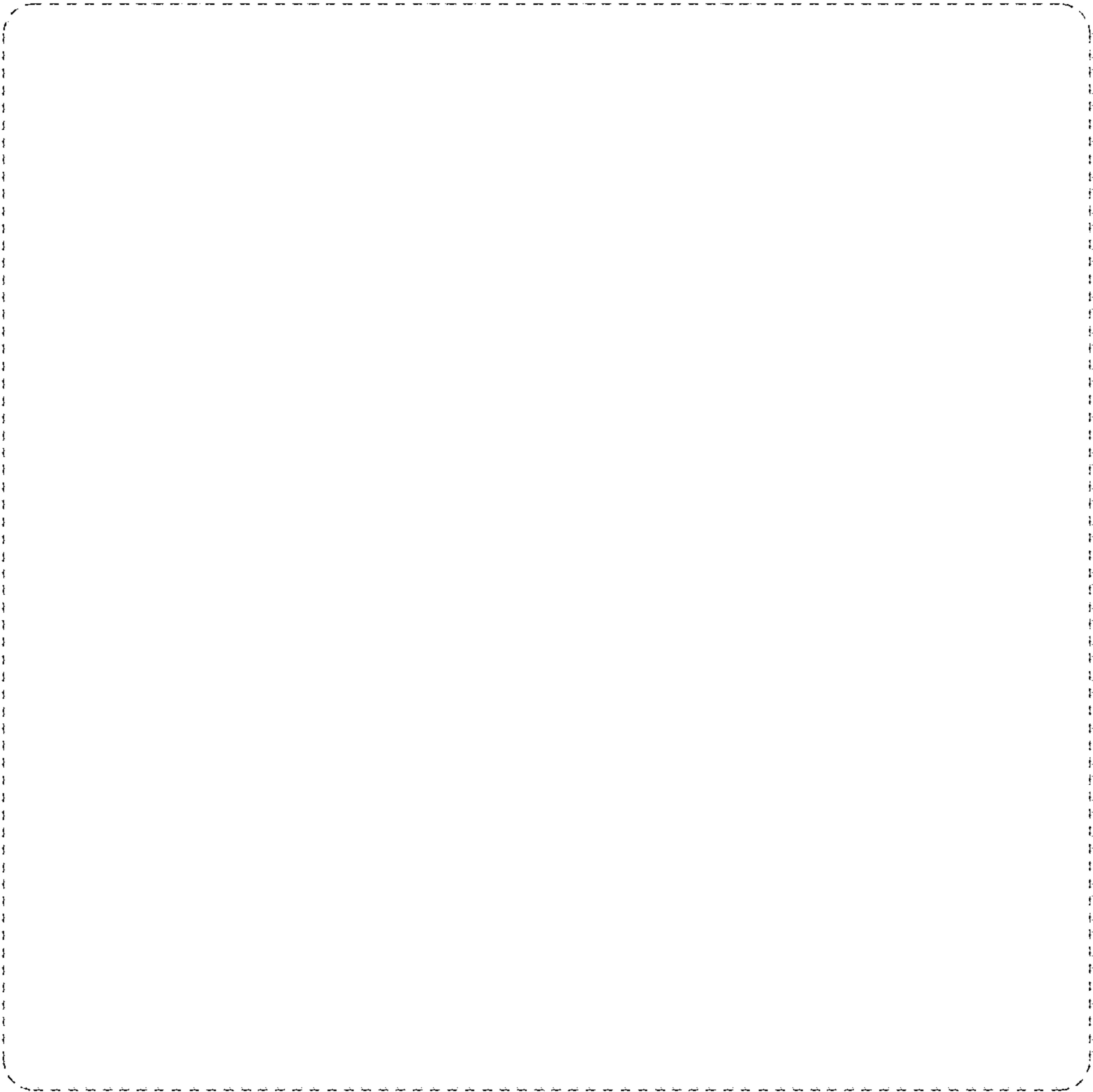


FIG. 6

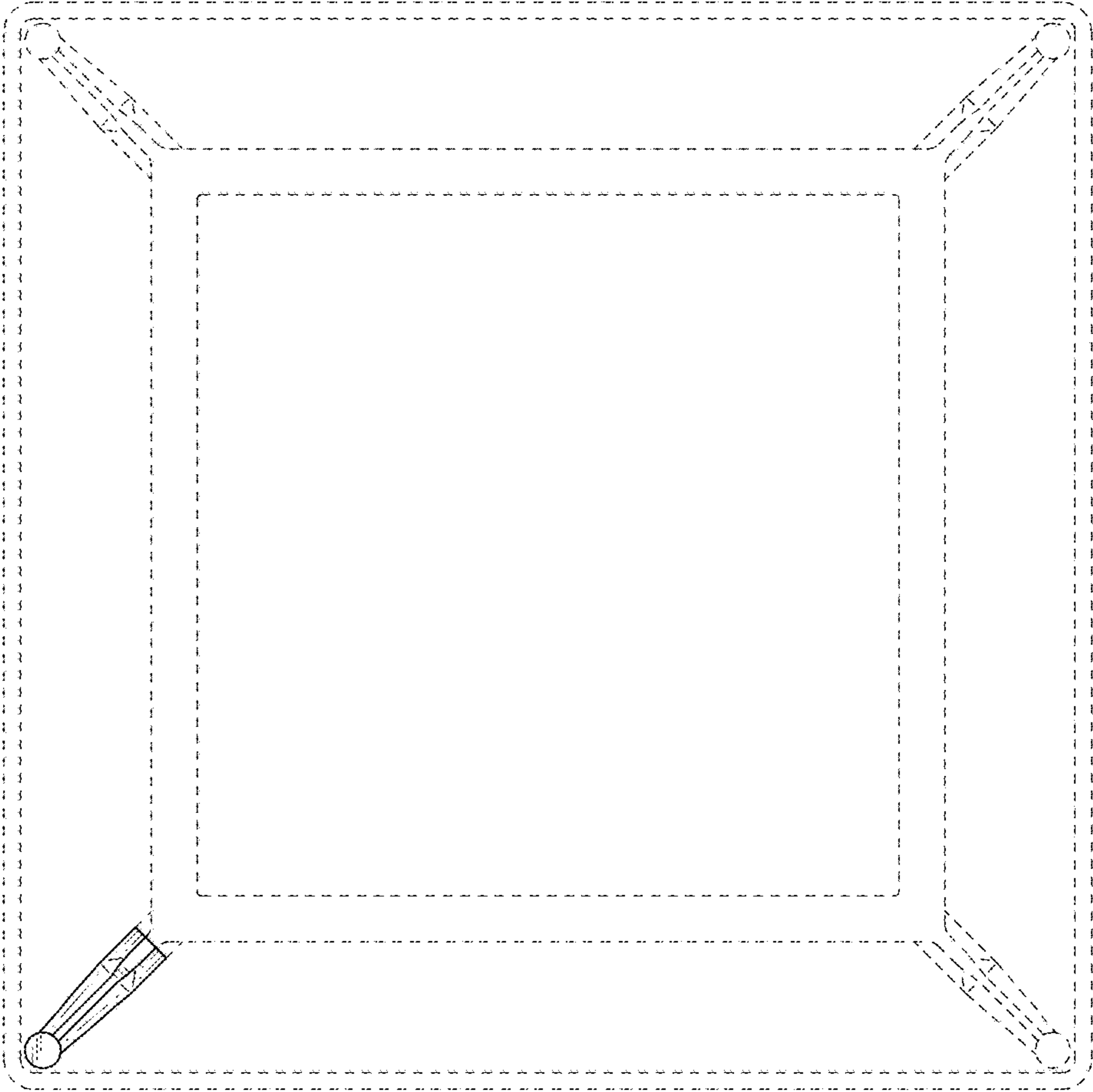


FIG. 7

