



US00D789718S

(12) **United States Design Patent**  
**Gokhale et al.**

(10) **Patent No.:** **US D789,718 S**

(45) **Date of Patent:** **\*\* Jun. 20, 2017**

(54) **PLASTIC SHELF LINER FOR  
MERCHANDISING DISPLAY CASES**

(71) Applicant: **HEATCRAFT REFRIGERATION  
PRODUCTS LLC**, Richardson, TX  
(US)

(72) Inventors: **Rahul Gokhale**, Dunwoody, GA (US);  
**Satish Kumar Jatashanker Singh**,  
Columbus, GA (US); **Michael  
Lehtinen**, Cumming, GA (US)

(73) Assignee: **Heatcraft Refrigeration Products  
LLC**, Richardson, TX (US)

(\*\*) Term: **15 Years**

(21) Appl. No.: **29/538,233**

(22) Filed: **Sep. 2, 2015**

(51) **LOC (10) Cl.** ..... **06-04**

(52) **U.S. Cl.**  
USPC ..... **D6/705**

(58) **Field of Classification Search**  
USPC ..... D6/672, 675, 675.1–675.4, 705, 705.1;  
D7/571–572, 576–577, 600, 600.1–600.4;  
D13/179; 108/61; D14/457; D25/119;  
D26/51; 211/119.003; 312/350, 258  
CPC ..... A47B 73/00; A47B 73/002; A47B 73/004;  
A47B 47/00; A47B 47/0058; A47B  
47/008; A47B 47/25; A47F 5/00; A47F  
5/0056; A47F 5/0062; B65D 21/0211  
See application file for complete search history.

(56) **References Cited**

U.S. PATENT DOCUMENTS

D250,621 S \* 12/1978 Blum ..... D6/672  
4,325,597 A \* 4/1982 Morrison ..... A47B 47/04  
108/61

D292,954 S \* 12/1987 Knight ..... D6/672  
D345,268 S \* 3/1994 Pate ..... D25/119  
D408,388 S \* 4/1999 Wiggins ..... D14/457  
D510,220 S \* 10/2005 Sandy ..... D6/705  
D521,286 S \* 5/2006 Colmenares ..... D26/51  
D610,557 S \* 2/2010 Chen ..... D13/179  
D659,110 S \* 5/2012 Chen ..... D13/179  
D662,341 S \* 6/2012 Sanders ..... D6/705  
D688,905 S \* 9/2013 Stravitz ..... D6/705  
D694,046 S \* 11/2013 Walter ..... D6/705  
D701,408 S \* 3/2014 Mason ..... D6/705.7  
D707,067 S \* 6/2014 Basarich ..... D6/705  
D726,462 S \* 4/2015 Normand ..... D6/705  
D743,191 S \* 11/2015 Clark ..... D6/675  
2002/0170870 A1 \* 11/2002 Callis ..... A47B 96/02  
211/119.003  
2011/0291540 A1 \* 12/2011 Davidson ..... A47B 96/021  
312/350

\* cited by examiner

*Primary Examiner* — Manpreet Matharu

*Assistant Examiner* — Keith Wilson

(74) *Attorney, Agent, or Firm* — Hubbard Johnston,  
PLLC

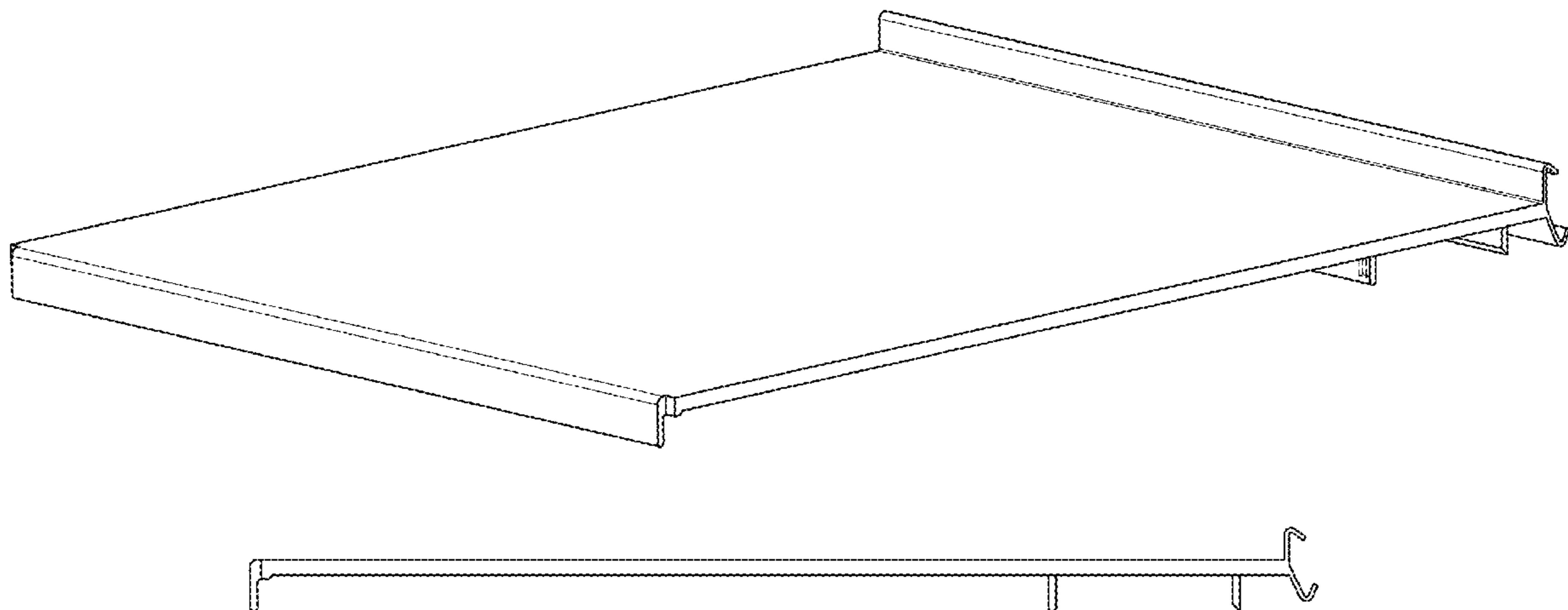
(57) **CLAIM**

The ornamental design for a plastic shelf liner for merchandising display cases, as shown and described.

**DESCRIPTION**

FIG. 1 is a front perspective view showing our new liner; FIG. 2 is a top plan view thereof; FIG. 3 is a bottom plan view thereof; FIG. 4 is a right side plan view thereof, the left side plan view being identical; FIG. 5 is a front plan view thereof; and, FIG. 6 is a back plan view thereof. The broken lines in FIG. 1 show portions of the “plastic shelf liner for merchandising display cases” that form no part of the claimed design.

**1 Claim, 4 Drawing Sheets**



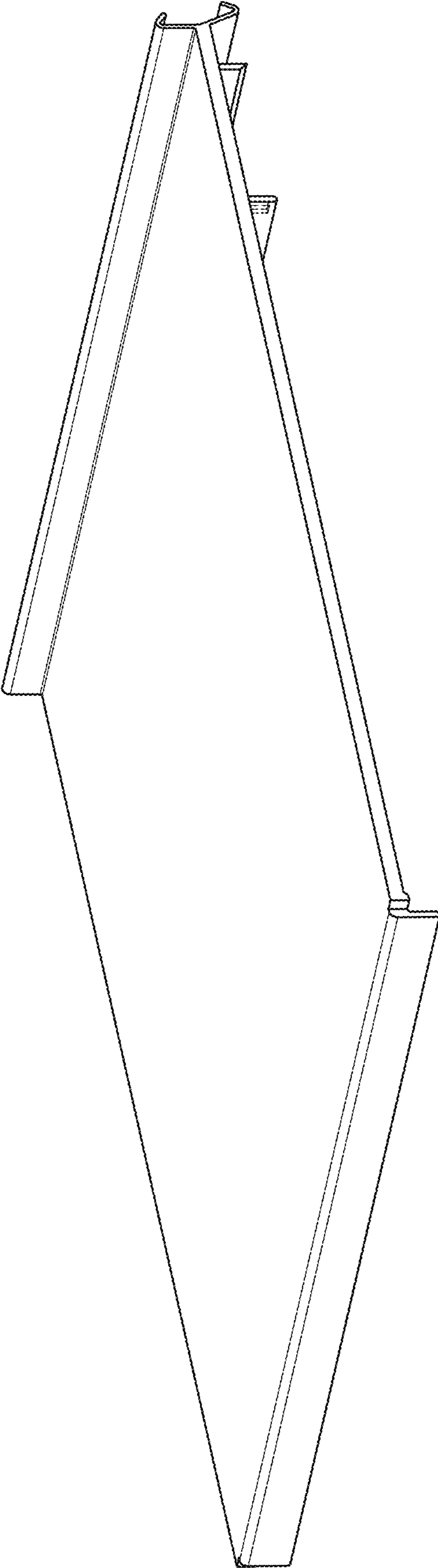


FIG. 1

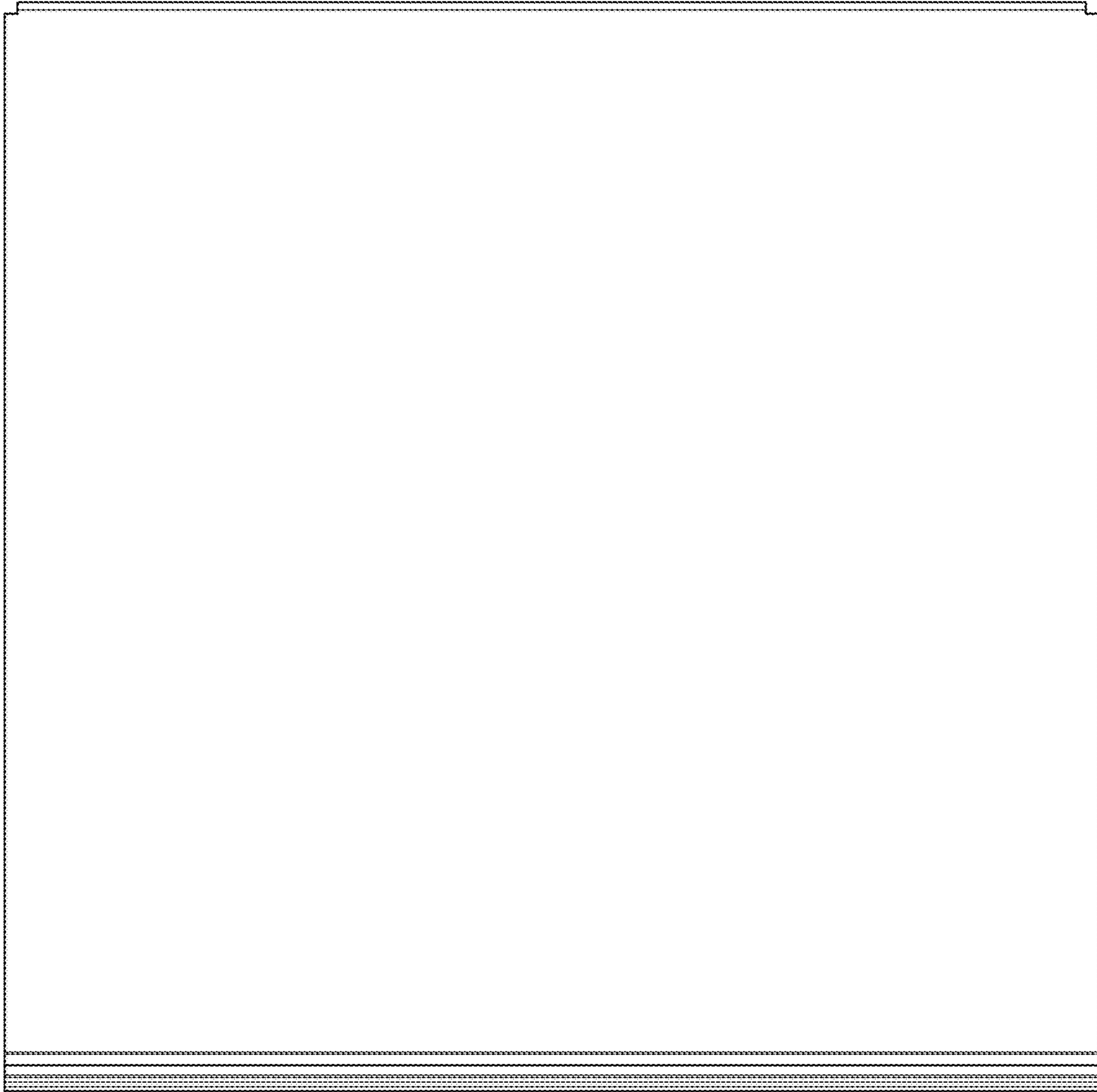


FIG. 2

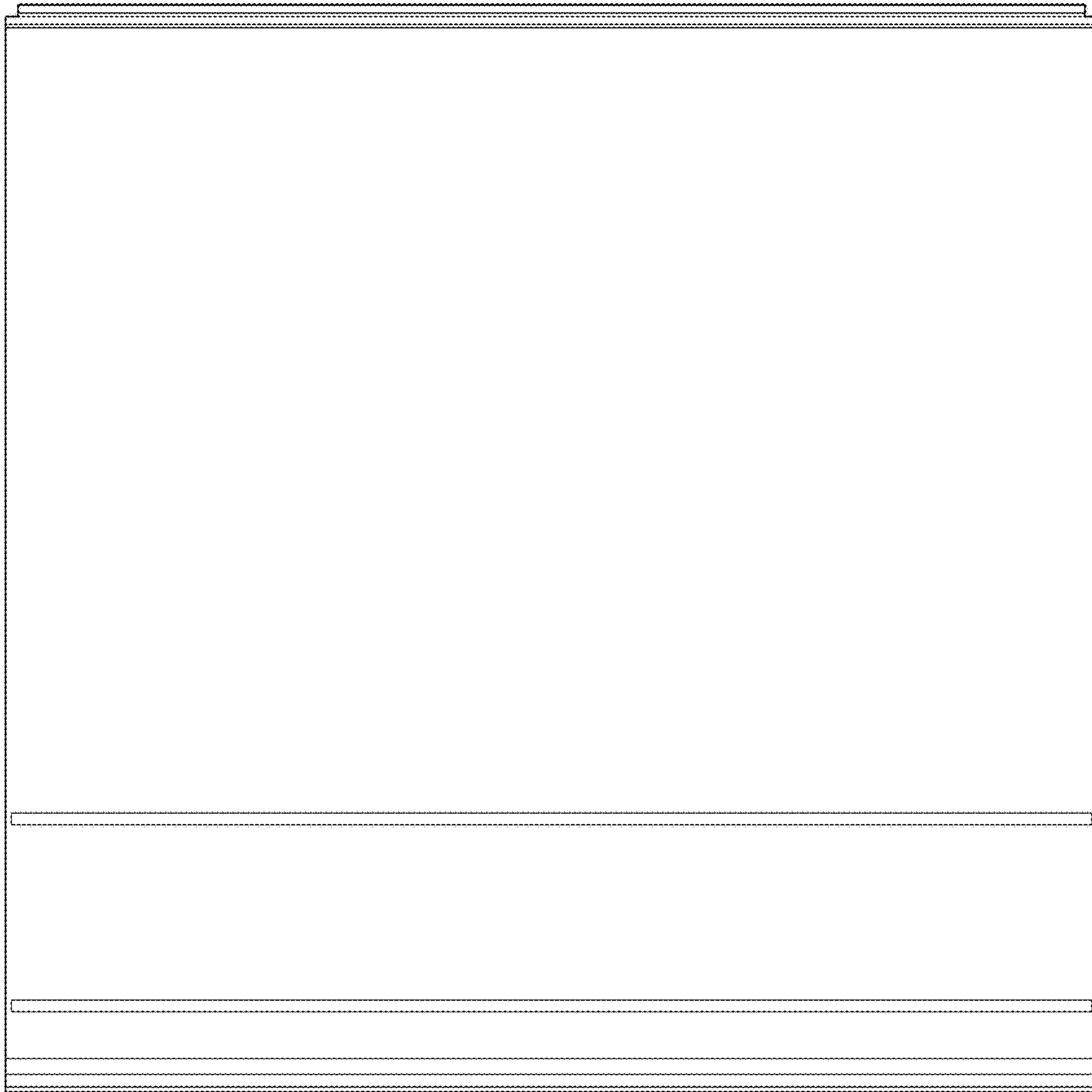


FIG. 3

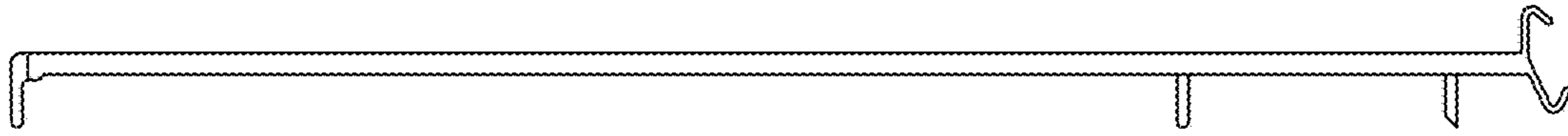


FIG. 4



FIG. 5

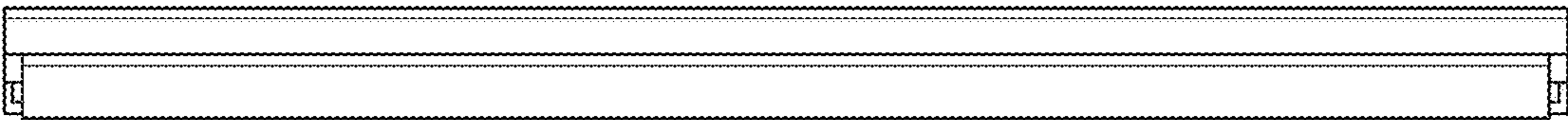


FIG. 6