



US00D789717S

(12) **United States Design Patent**
Renjilian et al.

(10) **Patent No.:** **US D789,717 S**

(45) **Date of Patent:** **** *Jun. 20, 2017**

- (54) **PORTABLE MOUNTING SHELF**
- (71) Applicant: **Sealed Air Corporation (US)**, Duncan, SC (US)
- (72) Inventors: **Jason H. Renjilian**, Newtown, CT (US); **Walter Casimer Sadakierski**, West Rutland, VT (US)
- (73) Assignee: **Sealed Air Corporation (US)**, Charlotte, NC (US)
- (*) Notice: This patent is subject to a terminal disclaimer.
- (**) Term: **14 Years**
- (21) Appl. No.: **29/495,554**
- (22) Filed: **Jul. 2, 2014**
- (51) **LOC (10) Cl.** **06-04**
- (52) **U.S. Cl.**
USPC **D6/705**
- (58) **Field of Classification Search**
USPC D6/572-574, 672, 705-706; 211/88.01, 211/90.01, 187; 108/106, 157.1, 159
CPC ... A47B 63/00; A47B 2063/005; A47B 57/18; A47B 57/16
See application file for complete search history.

D662,341	S	*	6/2012	Sanders	D6/705
D678,699	S	*	3/2013	Stravitz	D6/707.21
D707,067	S	*	6/2014	Basarich	D6/705
D716,581	S	*	11/2014	Davis	D6/574
D718,556	S	*	12/2014	Kreuzer	D6/574
D718,966	S	*	12/2014	Bennie	D6/705
D727,658	S	*	4/2015	Brovold	D6/574
D730,091	S	*	5/2015	Chan	D6/681
2005/0127017	A1	*	6/2005	Kessel	A47B 57/06 211/187
2007/0241072	A1	*	10/2007	Bryant	A47B 96/021 211/90.02
2007/0246625	A1	*	10/2007	Bienick	A47B 57/20 248/243
2012/0018396	A1	*	1/2012	Susan, Jr.	A47B 96/067 211/90.01
2014/0083959	A1	*	3/2014	Kalafut	A47F 5/0861 211/13.1
2014/0238947	A1	*	8/2014	Hao	A47B 96/061 211/88.01
2015/0175395	A1	*	6/2015	Hurd	A47B 97/00 108/106

* cited by examiner

Primary Examiner — Rosemary K Tarcza
Assistant Examiner — James Thorn, Sr.
(74) *Attorney, Agent, or Firm* — Daniel B. Ruble

(57) **CLAIM**

The ornamental design for a portable mounting shelf, as shown and described.

(56) **References Cited**

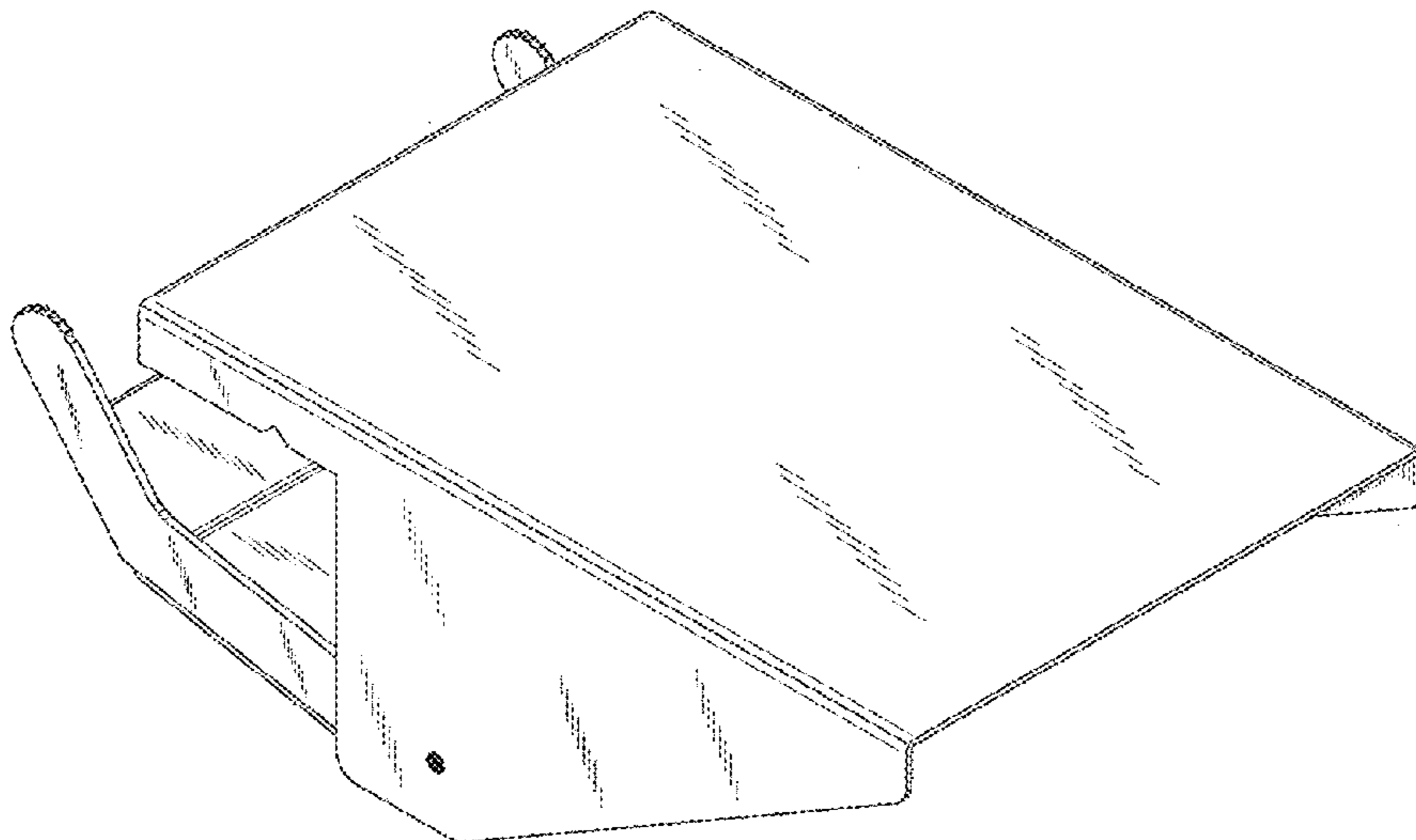
U.S. PATENT DOCUMENTS

3,965,826	A	*	6/1976	Markham	A47B 57/42 108/108
D404,232	S	*	1/1999	Kump	D6/705
D458,484	S	*	6/2002	Wood	D6/705
D594,261	S	*	6/2009	Maxwell	D6/574
D598,228	S	*	8/2009	West	D6/574
D609,510	S	*	2/2010	Stafford	D6/705
D614,428	S	*	4/2010	Bauchet	D6/574
D617,125	S	*	6/2010	Erickson	D6/706
D621,193	S	*	8/2010	Bauchet	D6/574

DESCRIPTION

FIG. 1 is a top and right side perspective view of a portable mounting shelf;
FIG. 2 is a top plan view thereof;
FIG. 3 is a right side elevational view thereof;
FIG. 4 is a left side elevational view thereof;
FIG. 5 is a front elevational view thereof;
FIG. 6 is a rear elevational view thereof; and,
FIG. 7 is a bottom plan view thereof.

1 Claim, 6 Drawing Sheets



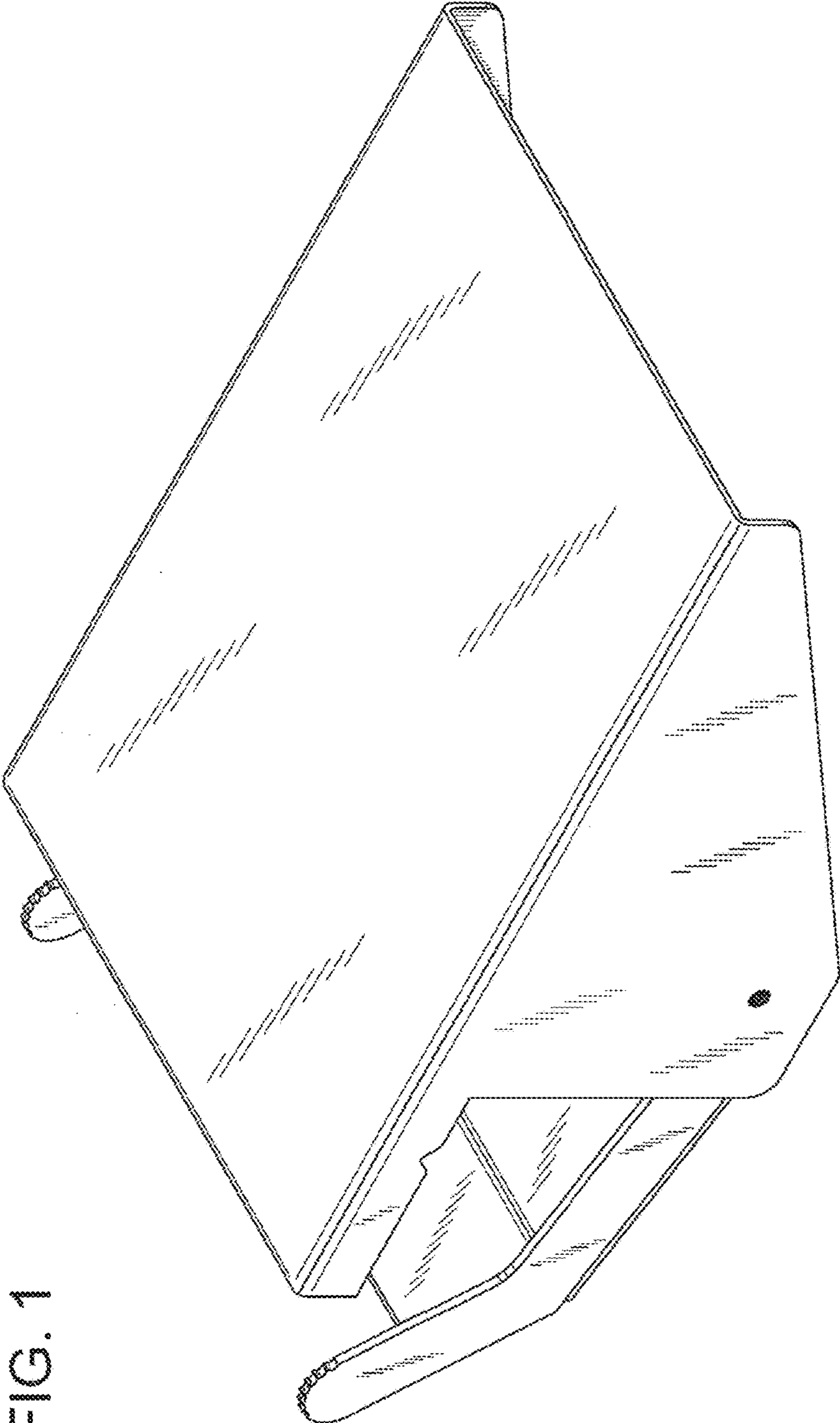


FIG. 1

FIG. 2

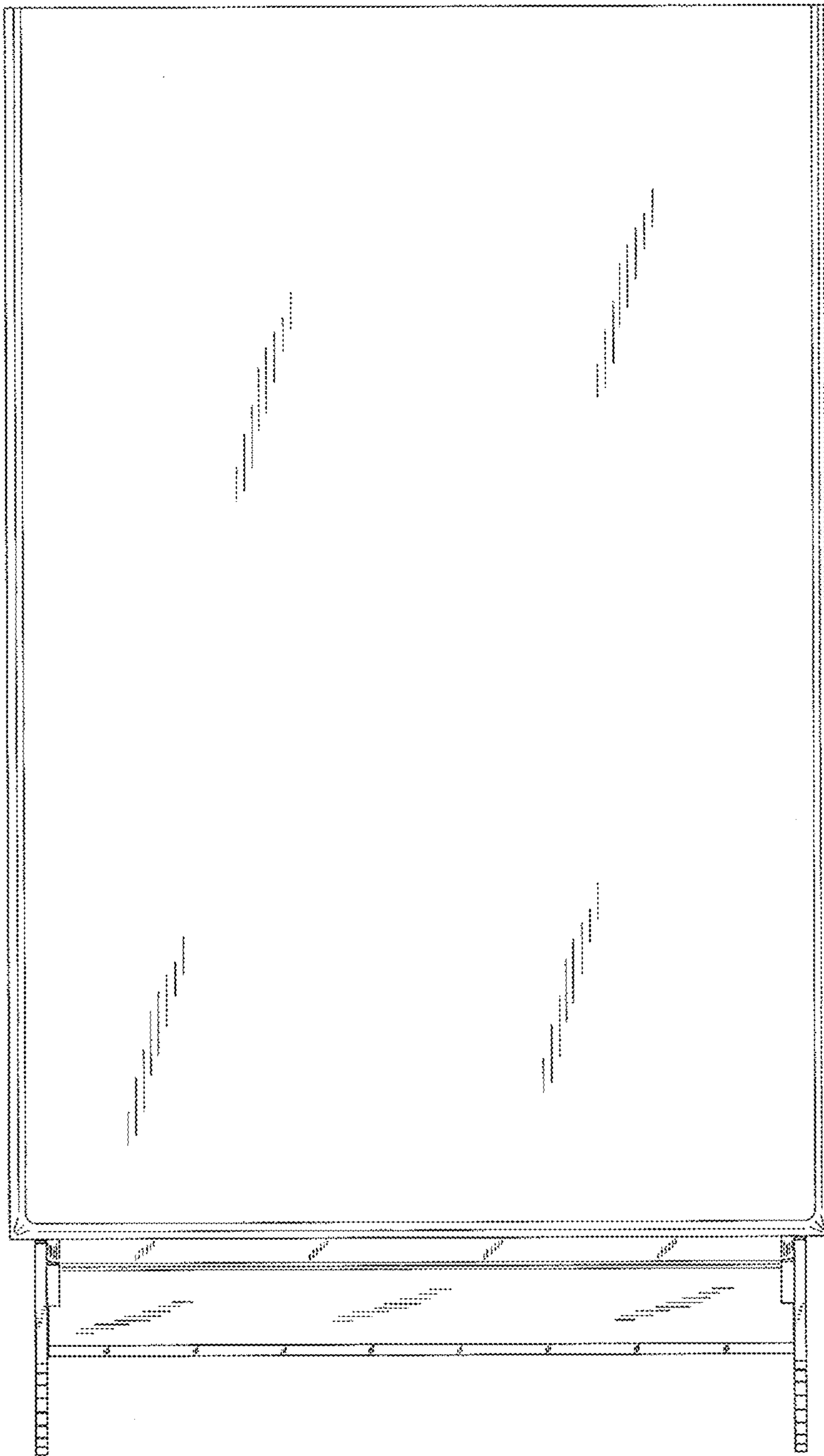


FIG. 3

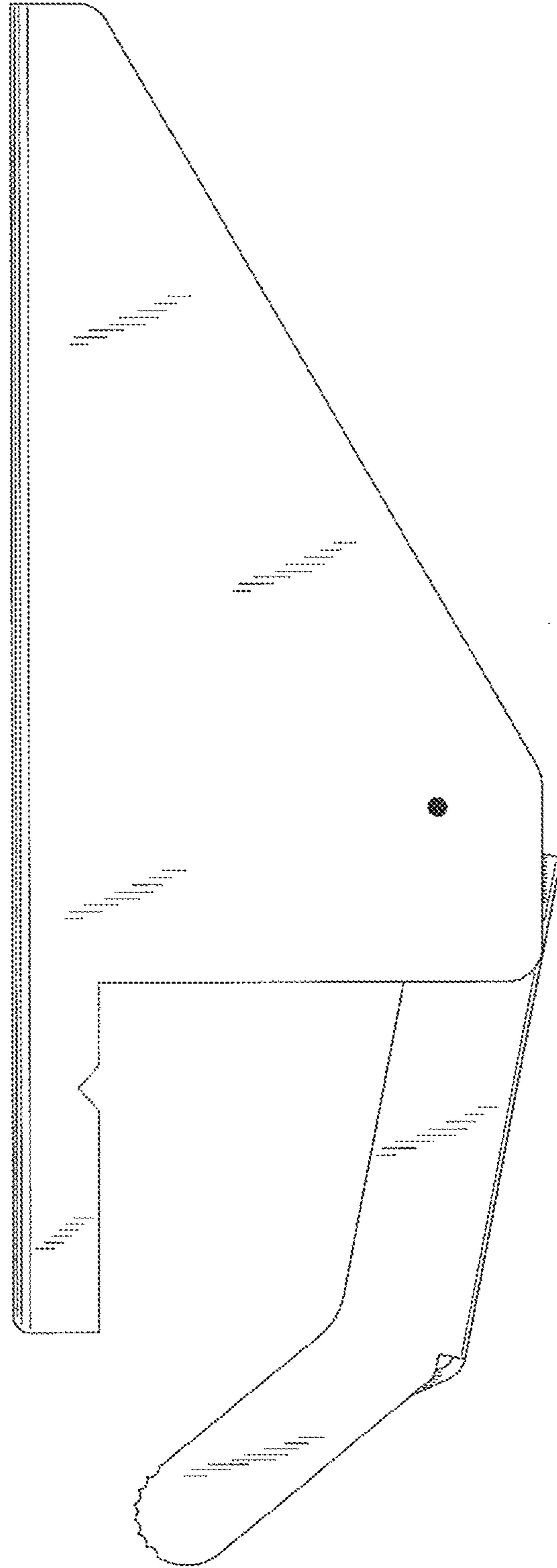


FIG. 4

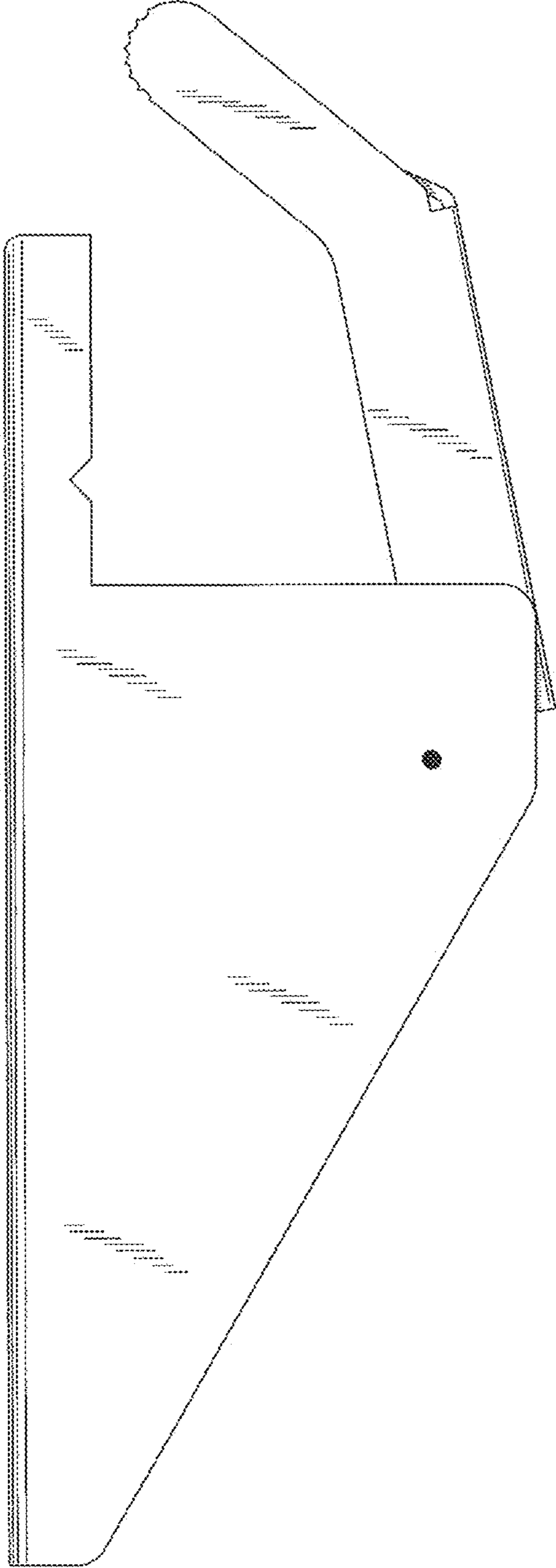


FIG. 5

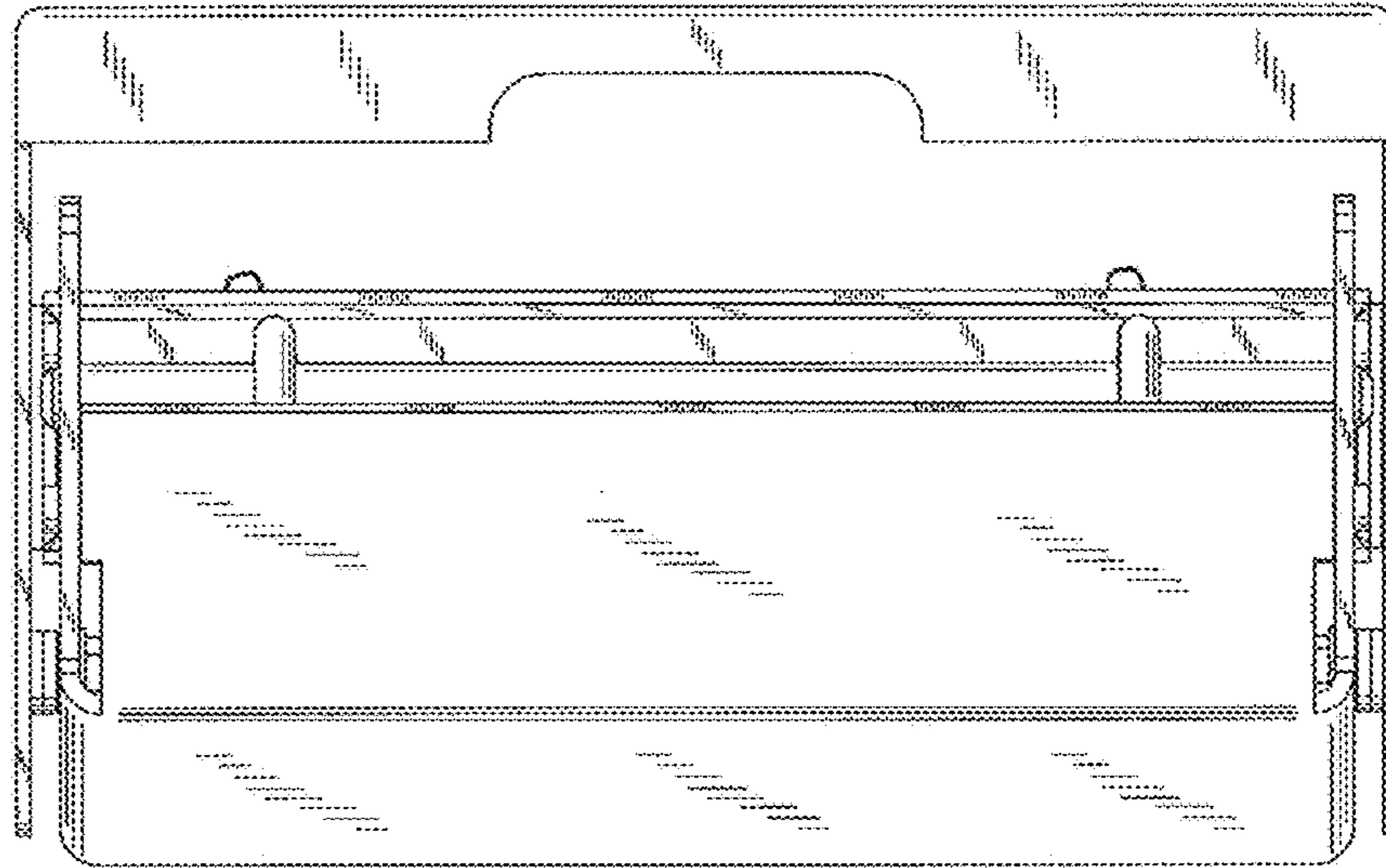


FIG. 6

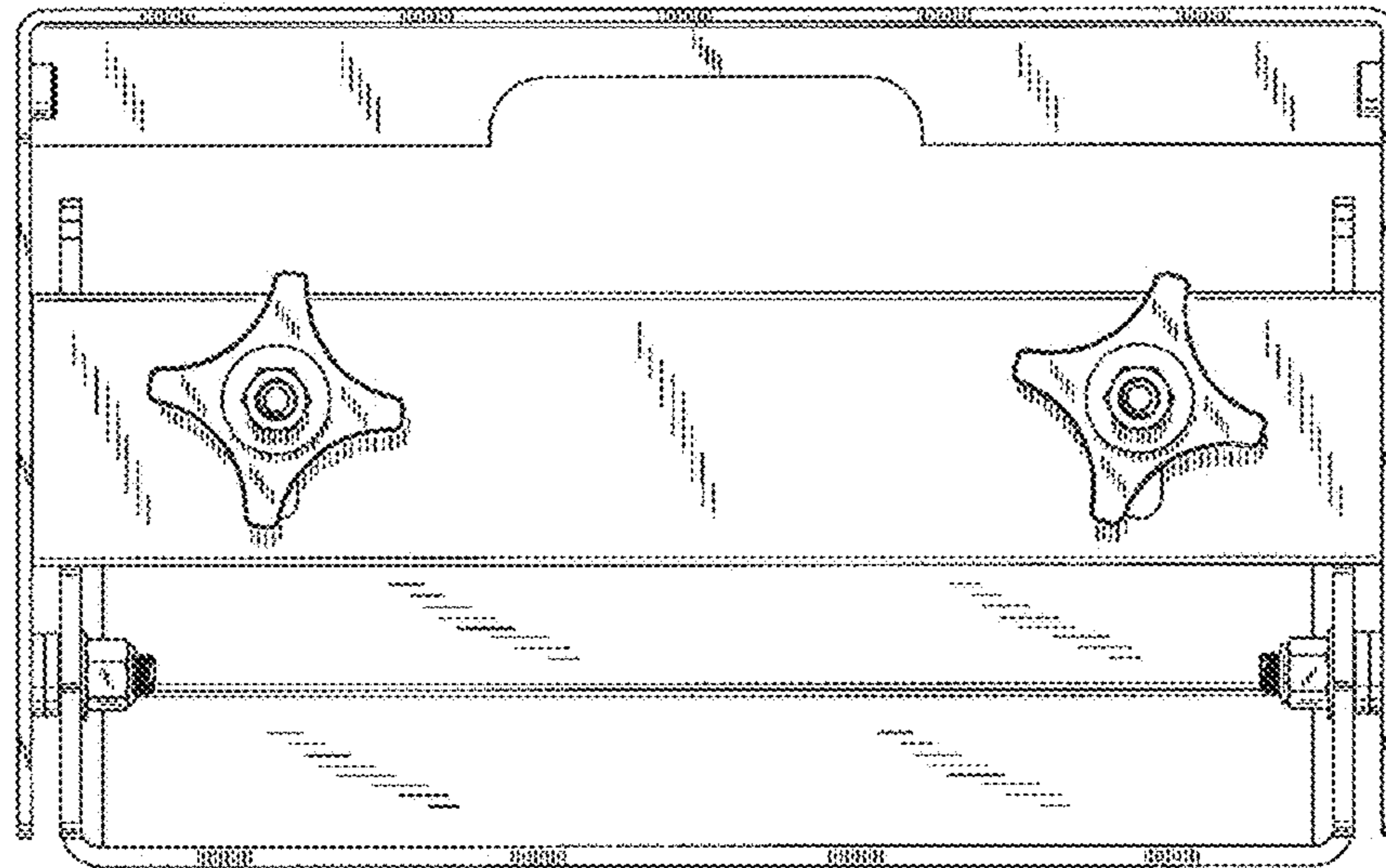


FIG. 7

