



US00D789716S

(12) **United States Design Patent** (10) **Patent No.:** **US D789,716 S**
Bey et al. (45) **Date of Patent:** **** Jun. 20, 2017**

(54) LOCKER DOOR	4,486,981 A * 12/1984 Billen F25D 23/02 49/382
(71) Applicant: Security People, Inc. , Petaluma, CA (US)	D341,962 S * 12/1993 Bovermann D13/184 D346,960 S 5/1994 Bennett D351,829 S 10/1994 Maines D357,704 S 4/1995 Wolff
(72) Inventors: Fadhly Bey , San Francisco, CA (US); Kelly Kodama , Walnut Creek, CA (US); Julian Peck , San Rafael, CA (US); Asil T. Gokcebay , Petaluma, CA (US)	D364,294 S * 11/1995 Brightbill D6/703 D365,482 S 12/1995 Larimore D381,839 S 8/1997 Dorigo D394,959 S 6/1998 Kwan D417,098 S * 11/1999 Teufel D6/703 6,082,581 A 7/2000 Anderson et al. D432,341 S 10/2000 Shimbo et al. 6,155,410 A 12/2000 Davis D439,652 S 3/2001 Schonberger et al. D458,063 S * 6/2002 List, Jr. D6/703
(73) Assignee: Security People, Inc. , Petaluma, CA (US)	

(**) Term: **15 Years**

(21) Appl. No.: **29/537,411**

(22) Filed: **Aug. 25, 2015**

Related U.S. Application Data

(60) Division of application No. 29/435,469, filed on Oct. 24, 2012, now Pat. No. Des. 737,084, which is a continuation-in-part of application No. 29/387,935, filed on Mar. 21, 2011, now Pat. No. Des. 672,585.

(51) **LOC (10) Cl.** **06-06**

(52) **U.S. Cl.**
USPC **D6/703**

(58) **Field of Classification Search**

USPC D6/407, 626-635, 332, 432-434,
D6/509-511, 533-559, 672, 673, 675,
D6/675.1, 683, 683.1, 703; D3/273-275;
D19/75-77; 206/232, 307.1, 308.1,
206/308.3, 309-313

CPC A47B 43/003; A47B 46/005
See application file for complete search history.

(56) **References Cited**

U.S. PATENT DOCUMENTS

D222,819 S 1/1972 Del Corno
D271,168 S 11/1983 Antonczyk

Primary Examiner — Kelley Donnelly

(74) *Attorney, Agent, or Firm* — Thomas M. Freiburger

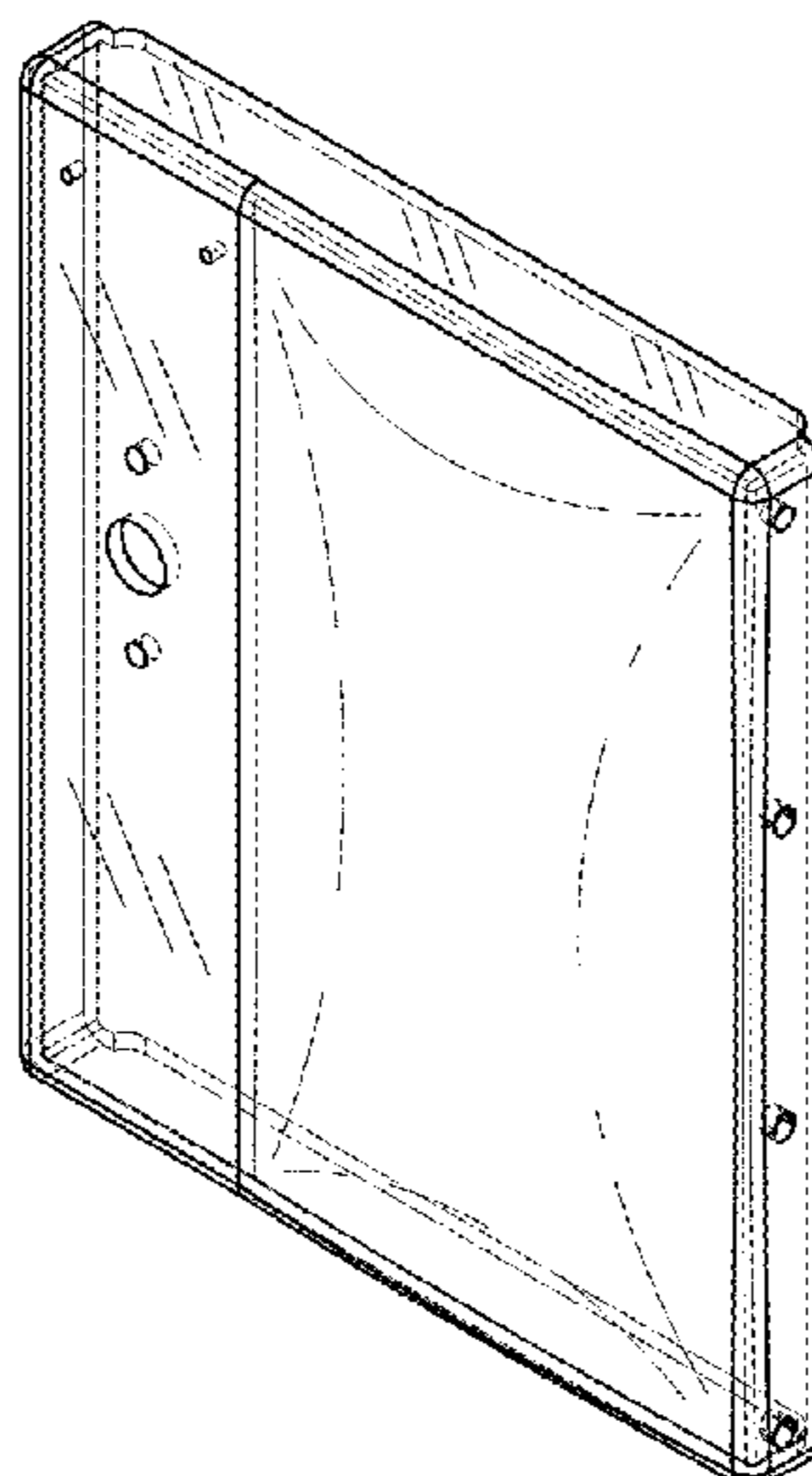
(57) **CLAIM**

The ornamental design for a locker door, substantially as shown and described.

DESCRIPTION

FIG. 1 is a front perspective view of a first embodiment of a locker door according to my new design;
FIG. 2 is a top plan view thereof, the bottom view being a mirror image;
FIG. 3 is a rear elevation view thereof;
FIG. 4 is a left side edge view thereof;
FIG. 5 is a right side edge view thereof;
FIG. 6 is a front perspective view of a second embodiment of a locker door according to my design;
FIG. 7 is a top plan view thereof, the bottom view being a mirror image;
FIG. 8 is a rear elevation view thereof;
FIG. 9 is a left side edge view thereof; and,
FIG. 10 is a right side edge view thereof.

1 Claim, 2 Drawing Sheets



(56)

References Cited

U.S. PATENT DOCUMENTS

D458,064 S *	6/2002	List, Jr.	D6/703
D458,483 S *	6/2002	List, Jr.	D6/703
D465,689 S	11/2002	Kondo	
D468,941 S *	1/2003	List, Jr.	D6/703
D469,995 S *	2/2003	Barger	D6/703
D479,241 S *	9/2003	Witte	D14/441
D499,972 S	12/2004	van de Wiel et al.	
D518,673 S	4/2006	Milstein	
D528,297 S	9/2006	Feldmann et al.	
D529,087 S	9/2006	Dixon	
D531,075 S	10/2006	Vantine	
D557,546 S	12/2007	Gelardi et al.	
D558,503 S	1/2008	Hurley	
D584,552 S	1/2009	Brinson et al.	
D600,964 S	9/2009	Elia et al.	
D620,976 S	8/2010	Dietrich	
D626,769 S	11/2010	Rogers	
D635,380 S	4/2011	Kim	
D637,648 S	5/2011	Ringl	
D648,970 S	11/2011	Zealer	
D656,768 S	4/2012	Zealer	
D656,770 S	4/2012	Zealer	
D661,519 S	6/2012	James et al.	
D665,215 S	8/2012	Zealer	
D665,216 S	8/2012	Zealer	
D665,217 S	8/2012	Zealer	
D697,346 S *	1/2014	Wysock	D6/703
D704,957 S	5/2014	Dimitrakos	
D725,657 S	3/2015	Glasgow	
D726,190 S	4/2015	Lee et al.	
D732,776 S *	6/2015	Chung	D32/25
D737,084 S	8/2015	Bey et al.	
D744,190 S *	11/2015	Pannier	D99/43
D764,846 S *	8/2016	Reinhart	D6/703
D776,472 S *	1/2017	Nicholson	D6/703

* cited by examiner

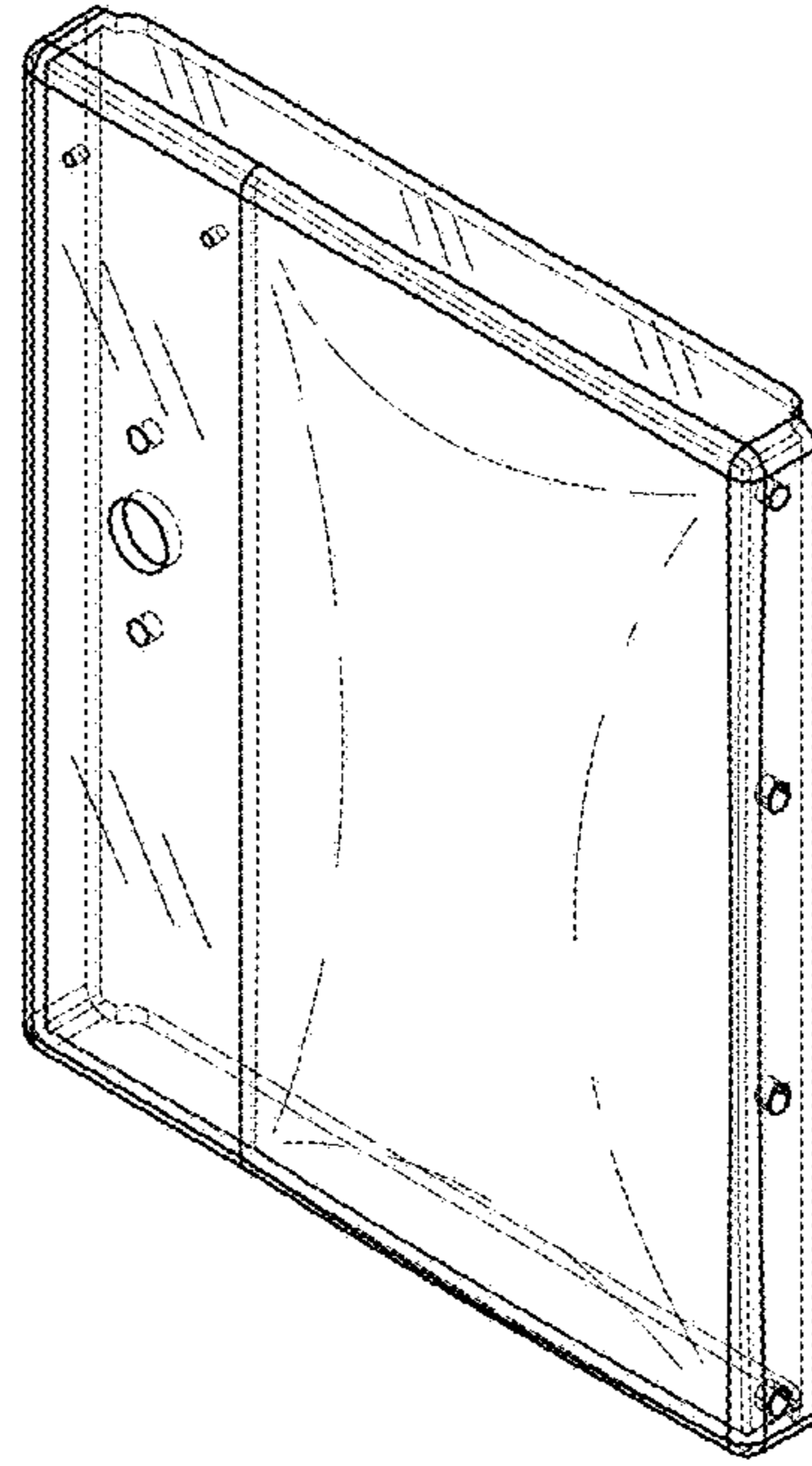


Fig. 1

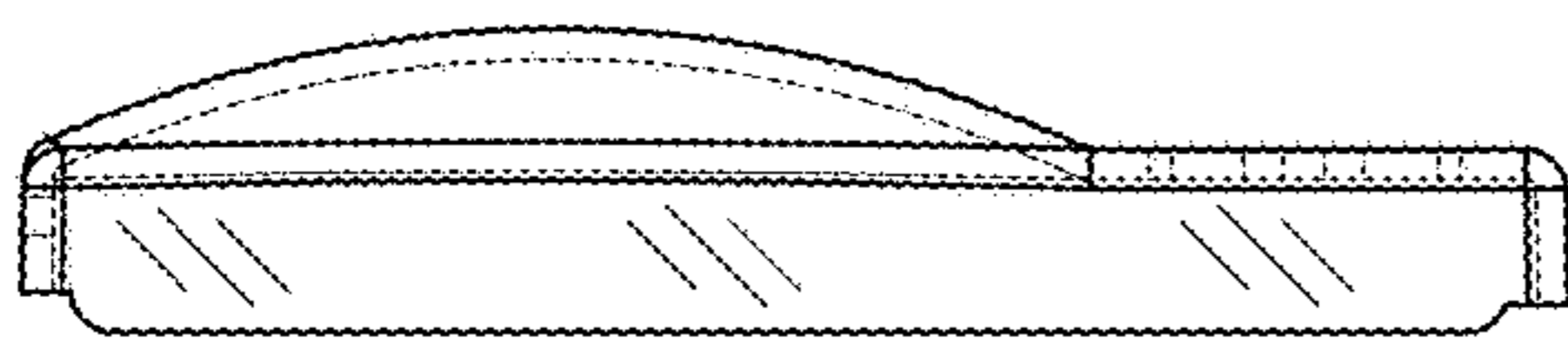


Fig. 2

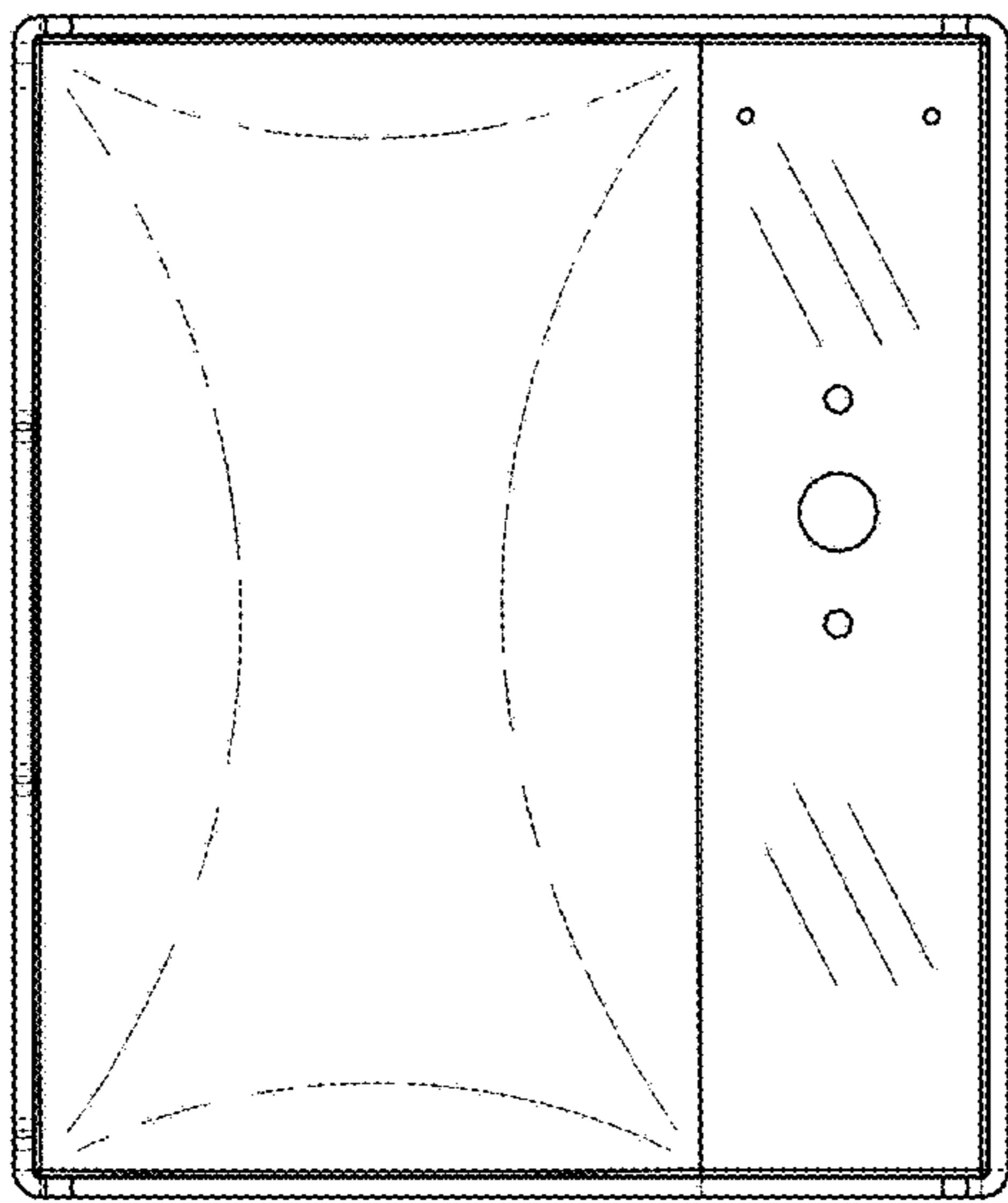


Fig. 3

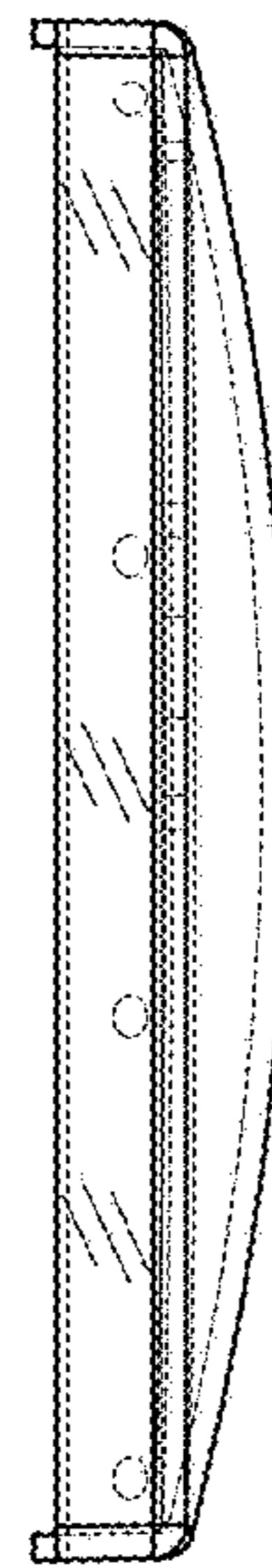


Fig. 4

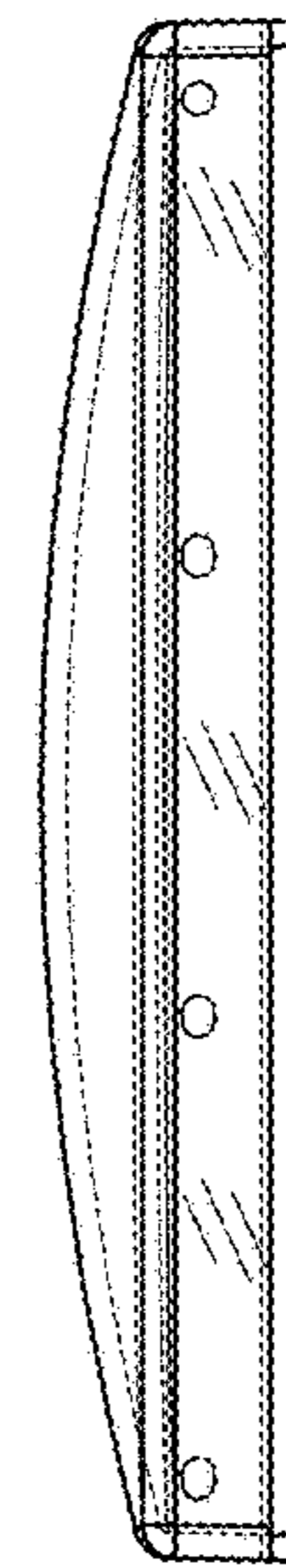


Fig. 5

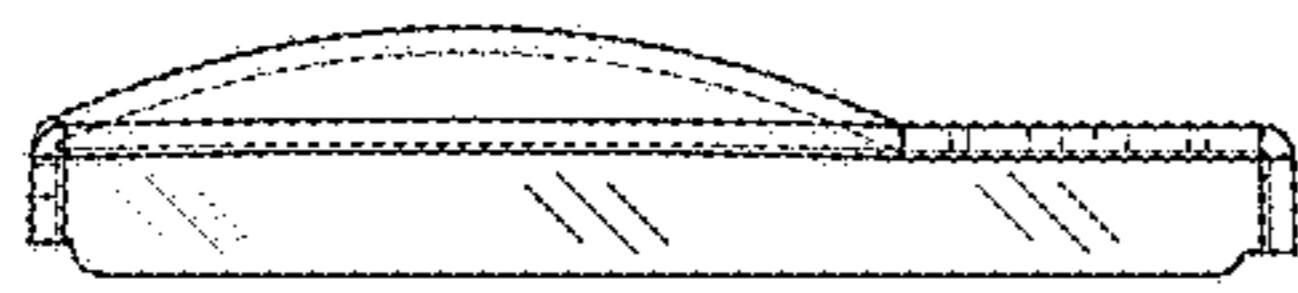


Fig. 7

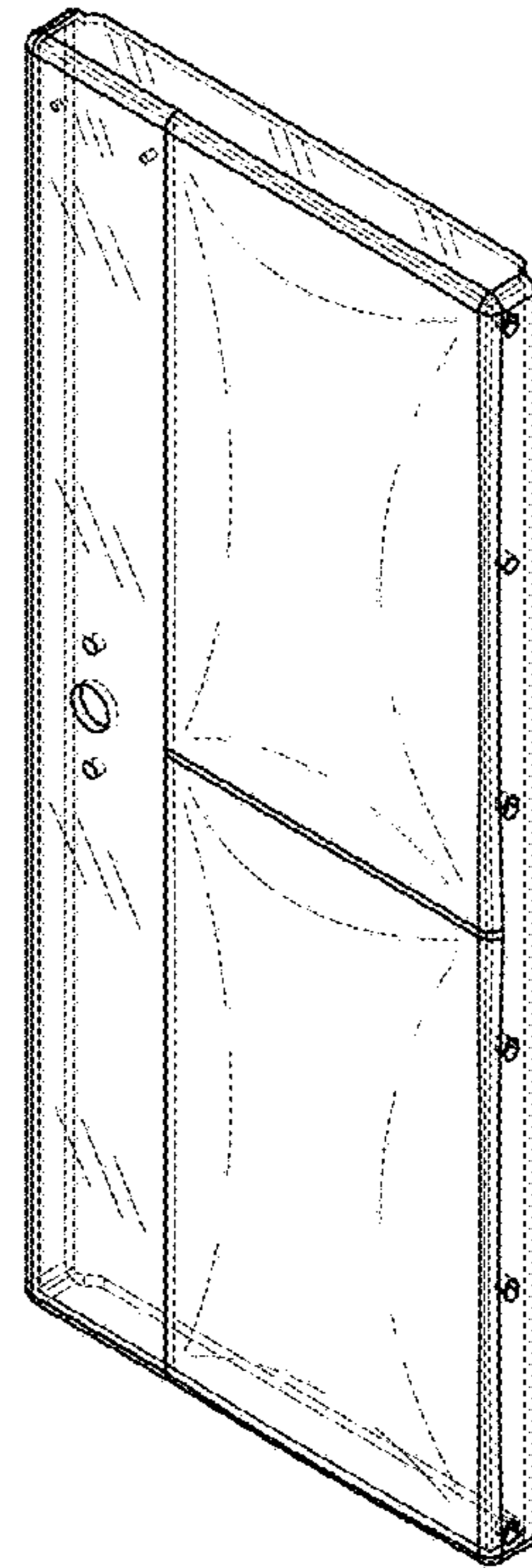


Fig. 6

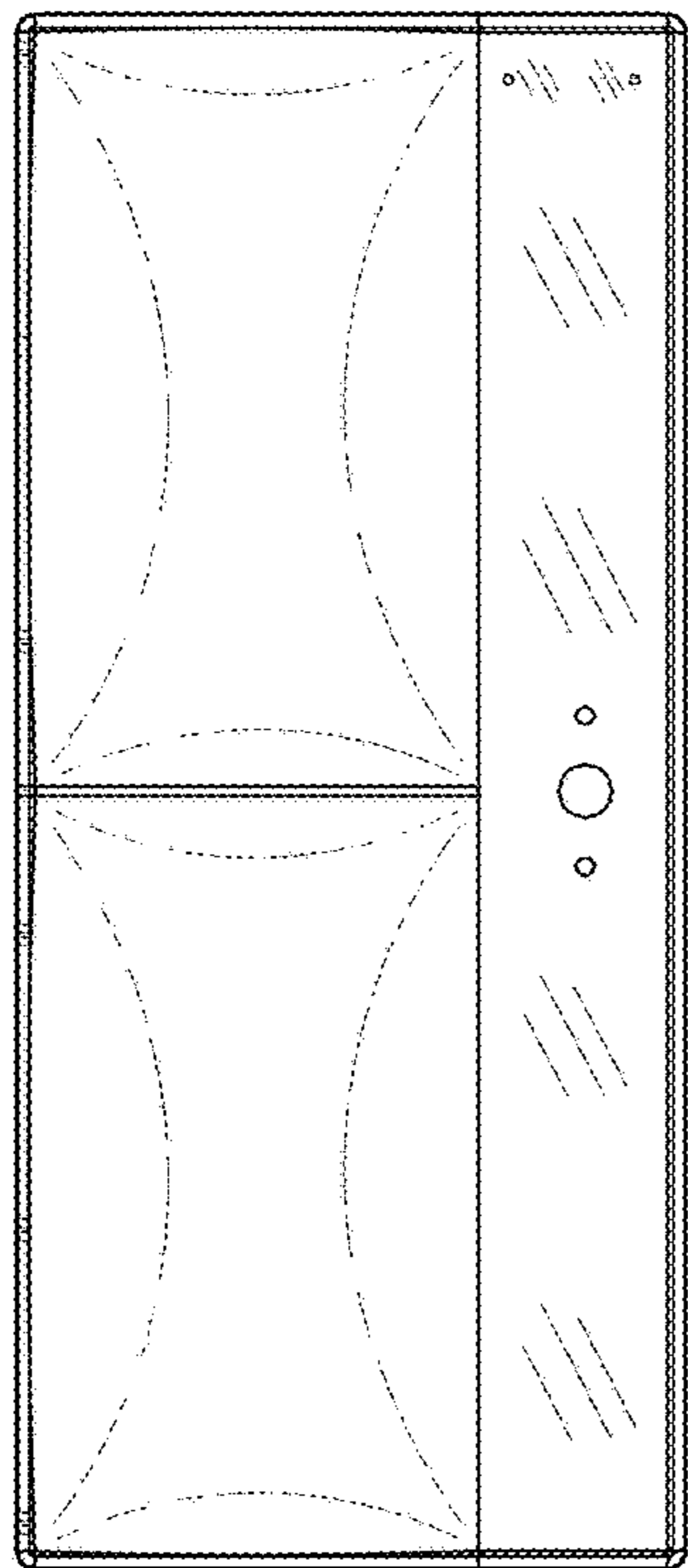


Fig. 8

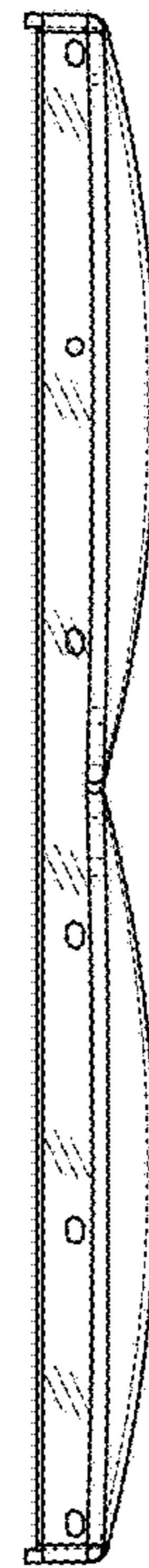


Fig. 9



Fig. 10