



US00D789713S

(12) **United States Design Patent** (10) **Patent No.:** **US D789,713 S**
Velez (45) **Date of Patent:** **** Jun. 20, 2017**

(54) **SIDE TABLE**
(71) Applicant: **Holly Hunt Enterprises, Inc.**, Chicago, IL (US)
(72) Inventor: **Alberto Velez**, Chicago, IL (US)
(73) Assignee: **Holly Hunt Enterprises, Inc.**, Chicago, IL (US)
(**) Term: **15 Years**
(21) Appl. No.: **29/565,271**
(22) Filed: **May 19, 2016**
(51) **LOC (10) Cl.** **06-03**
(52) **U.S. Cl.**
USPC **D6/691**
(58) **Field of Classification Search**
USPC D6/671, 675, 677, 685, 687, 690, 691, D6/691.1, 691.2, 691.3, 691.4, 691.5, D6/691.9, 693, 695, 695.2, 696, 697, 698, D6/699, 699.2, 703, 707, 709, 709.2
CPC A47B 7/00; A47B 13/08; A47B 13/10; A47B 21/00; A47B 2009/006; A47B 11/00
See application file for complete search history.

(56) **References Cited**
U.S. PATENT DOCUMENTS
D161,733 S * 1/1951 Burchard D6/648
D166,998 S * 6/1952 Rasmussen D6/672
D223,178 S * 3/1972 Brody D6/677
D226,417 S * 3/1973 Durn D6/690
D253,565 S * 12/1979 Ungaro D6/691.3
D274,676 S * 7/1984 Massonnet D6/349
D388,979 S * 1/1998 Walters, III D6/691.3
D438,024 S * 2/2001 Catalano D6/349
D444,322 S * 7/2001 Yoshino D6/690
D509,289 S * 9/2005 Palazzolo D23/309
D509,972 S * 9/2005 Brownfield D6/677

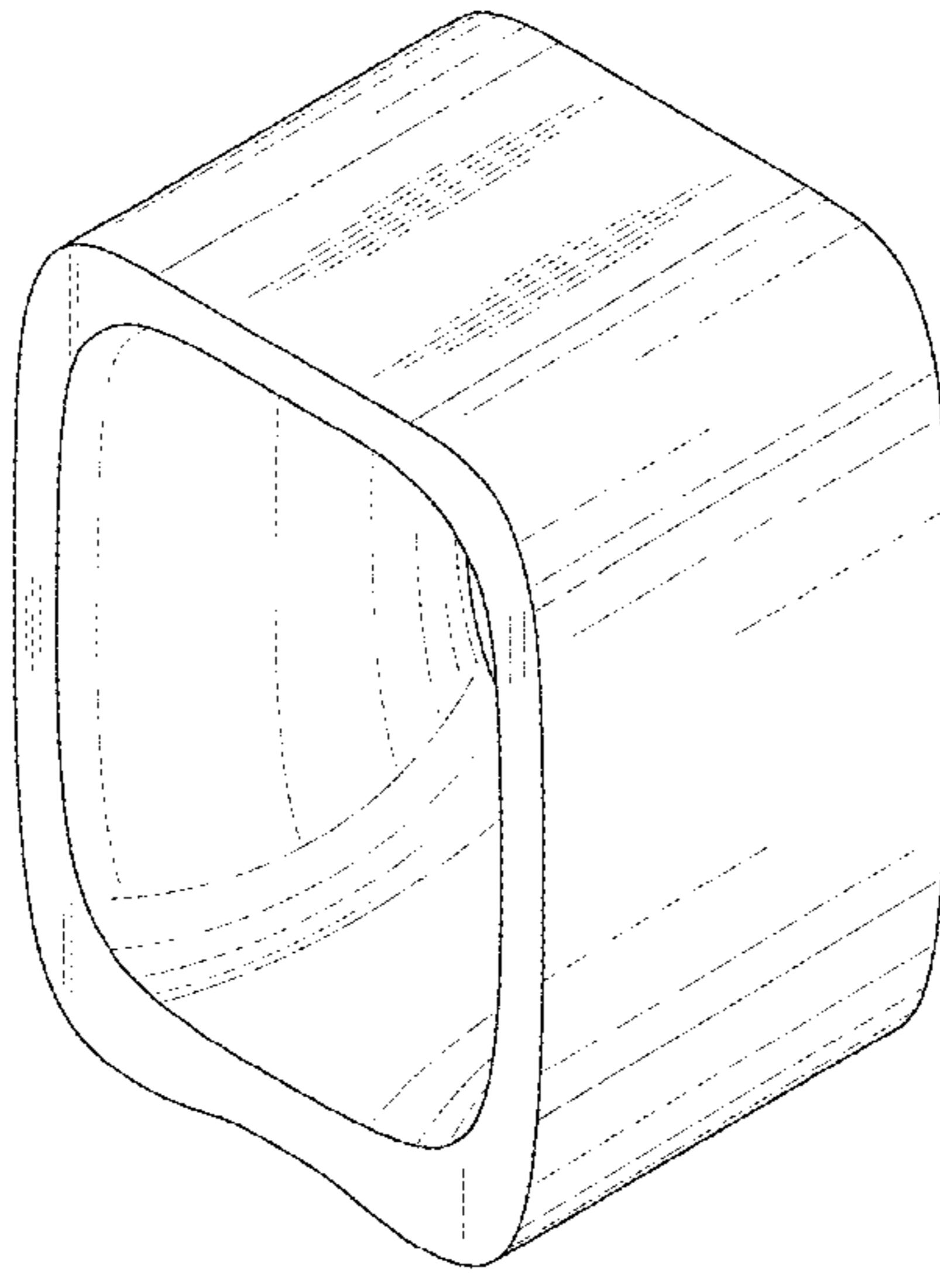
D609,031 S * 2/2010 Miyakawa D6/301
D620,287 S * 7/2010 Haudressy D6/691
D681,974 S * 5/2013 Naples D6/677
D684,413 S * 6/2013 Schmitt D6/691.2
D737,526 S * 8/2015 Hong D30/118
D738,125 S * 9/2015 Biddle D6/349
D764,188 S * 8/2016 Brown D6/349

* cited by examiner
Primary Examiner — Mary Ann Calabrese
Assistant Examiner — Sloan Rozin
(74) *Attorney, Agent, or Firm* — Blank Rome LLP

(57) **CLAIM**
The ornamental design for a side table, as shown and described.

DESCRIPTION
FIG. 1 is a perspective view of a side table in accordance with a first embodiment of the present design;
FIG. 2 is an end elevational view of the side table illustrated in FIG. 1;
FIG. 3 is a side elevational view of the side table illustrated in FIG. 1;
FIG. 4 is a top plan view of the side table illustrated in FIG. 1;
FIG. 5 is a bottom plan view of the side table illustrated in FIG. 1;
FIG. 6 is a perspective view of a side table in accordance with a second embodiment of the present design;
FIG. 7 is an end elevational view of the side table illustrated in FIG. 6;
FIG. 8 is a side elevational view of the side table illustrated in FIG. 6;
FIG. 9 is a top plan view of the side table illustrated in FIG. 6; and,
FIG. 10 is a bottom plan view of the side table illustrated in FIG. 6.

1 Claim, 8 Drawing Sheets



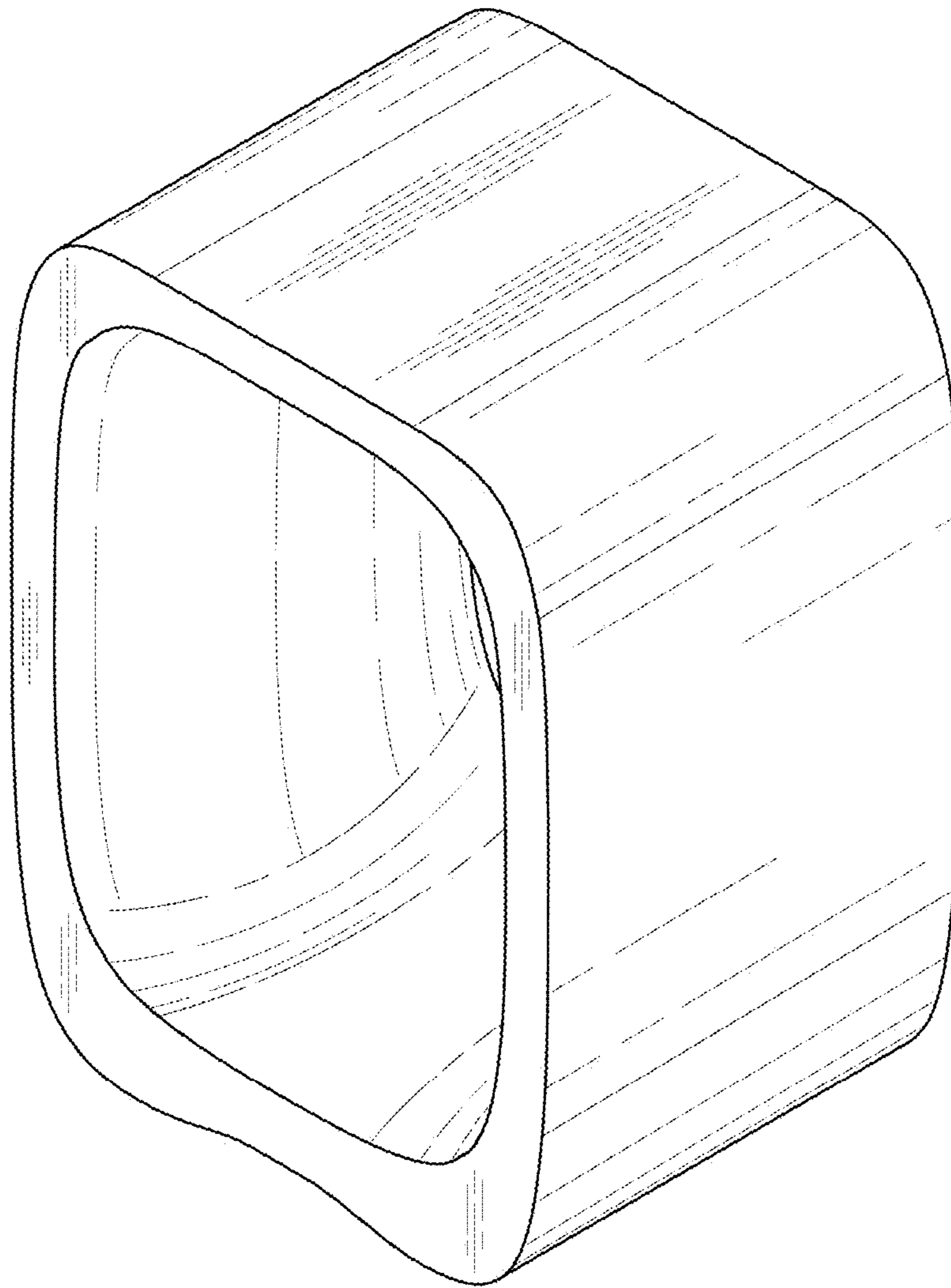


FIG. 1

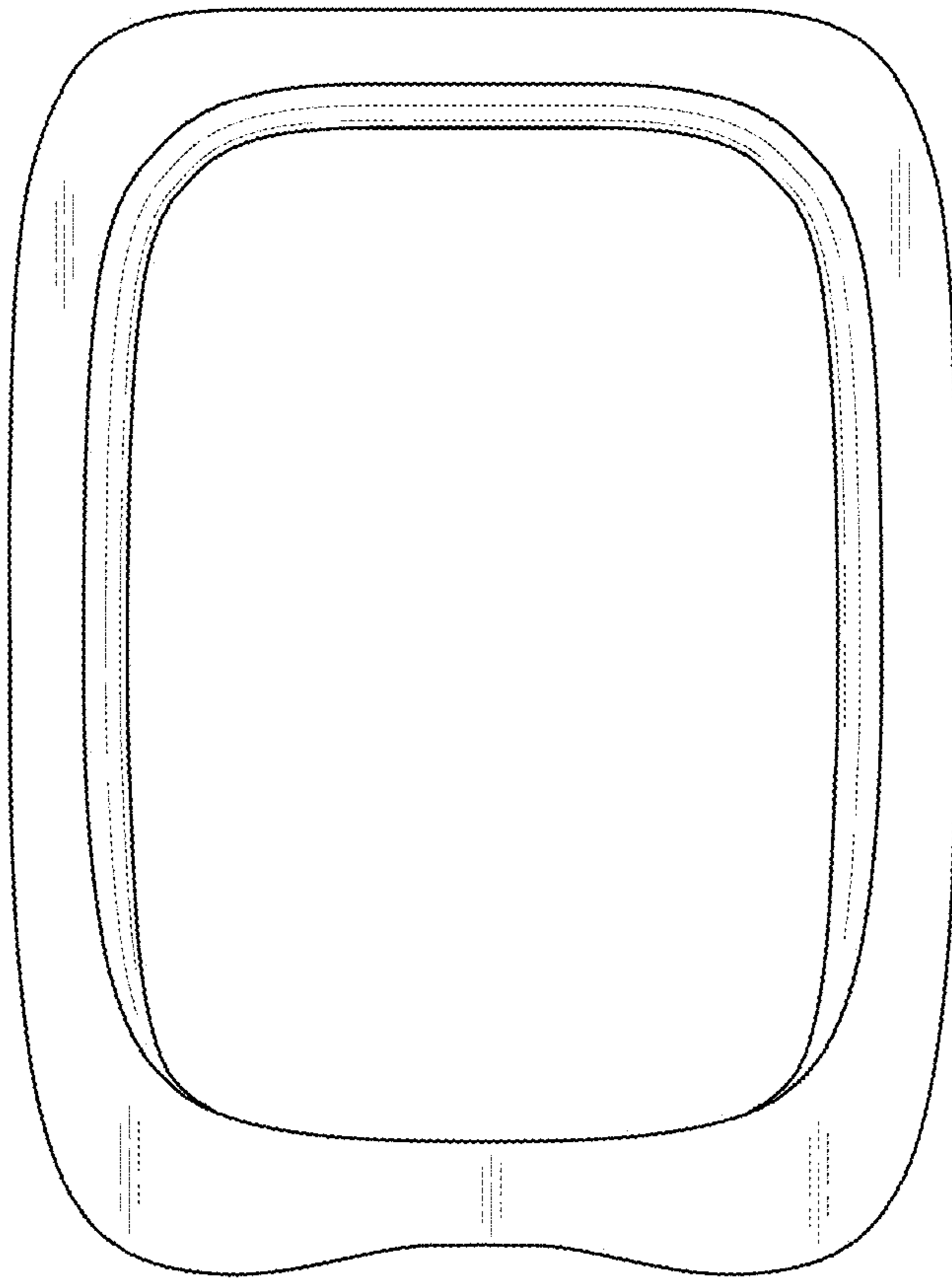


FIG. 2

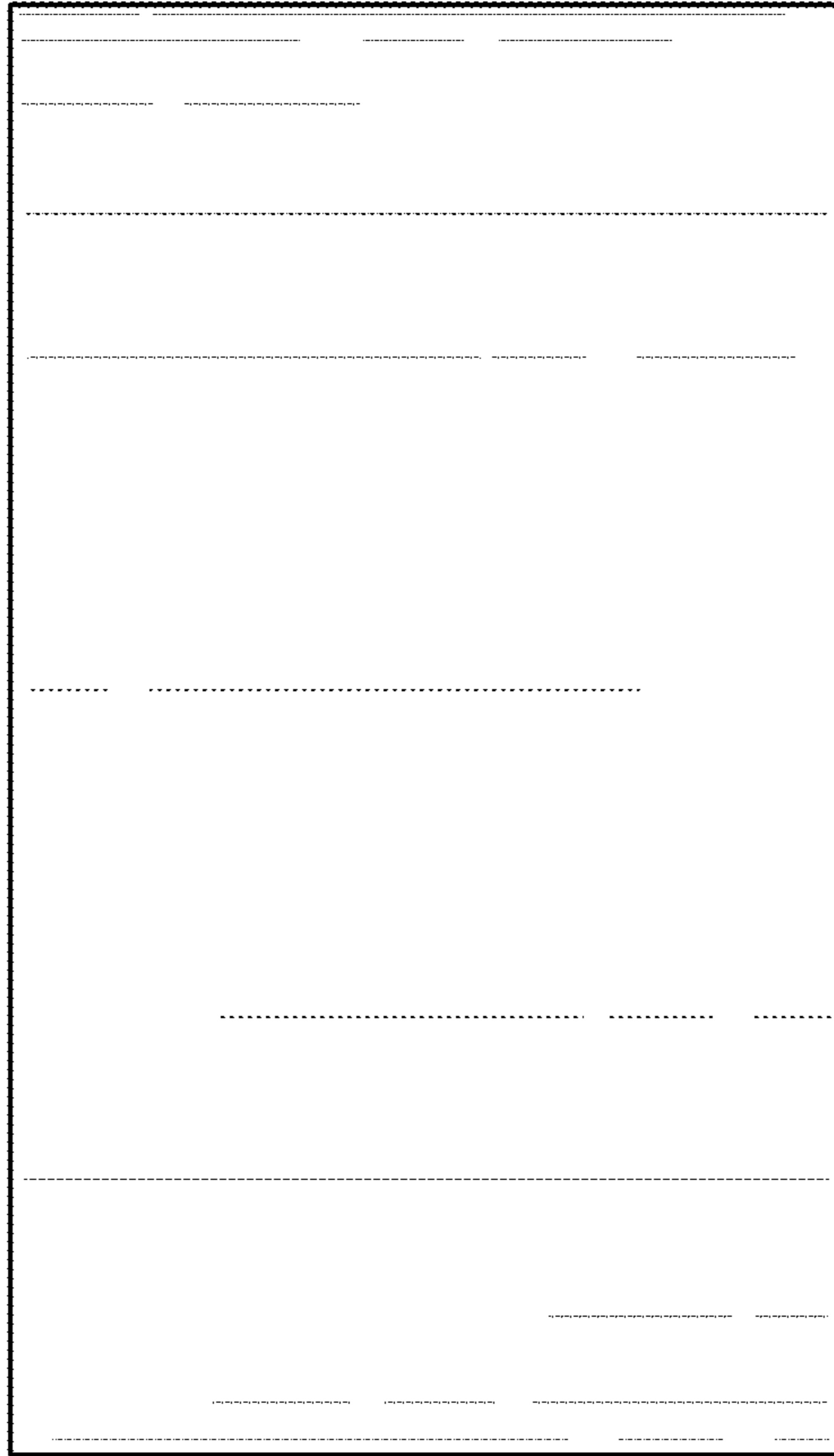


FIG. 3

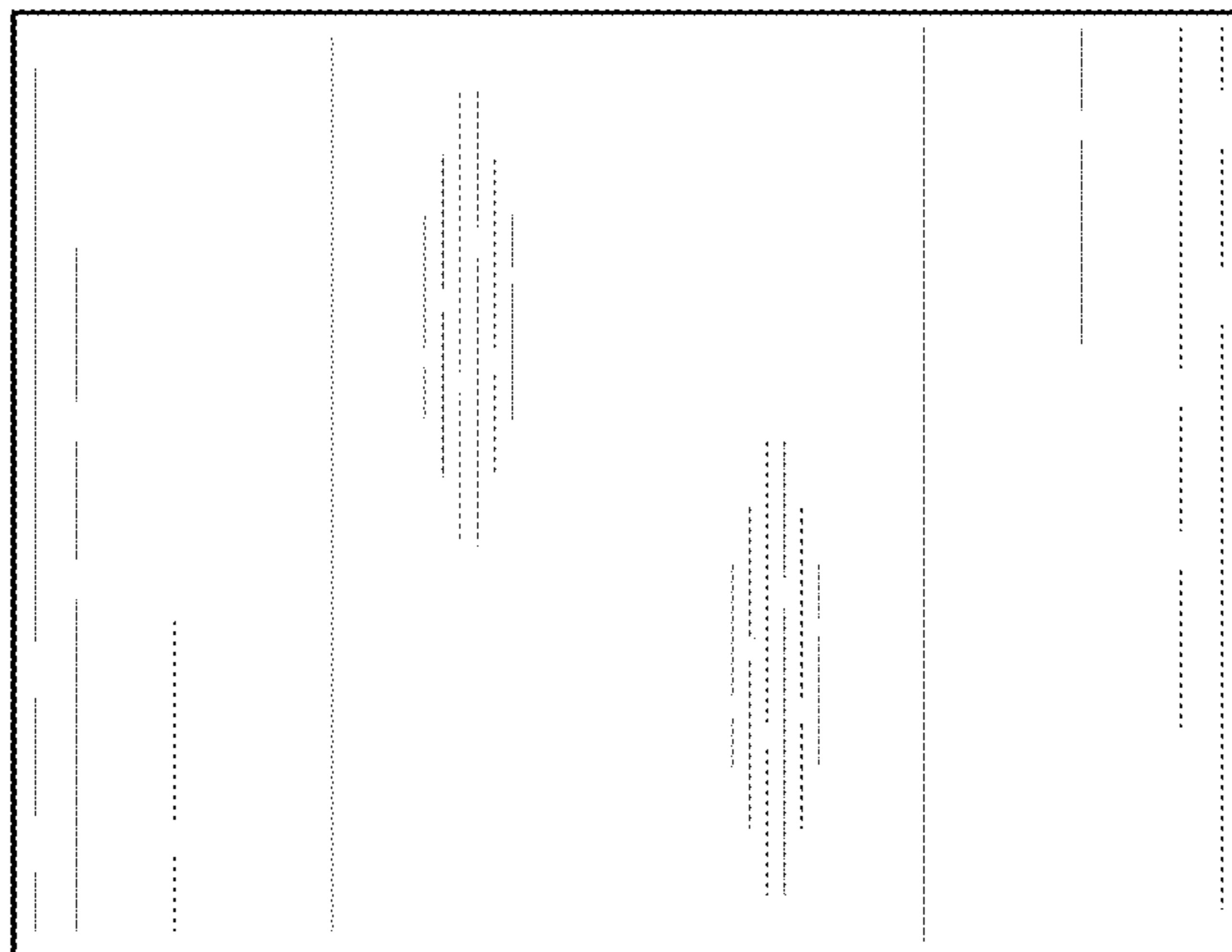


FIG. 4

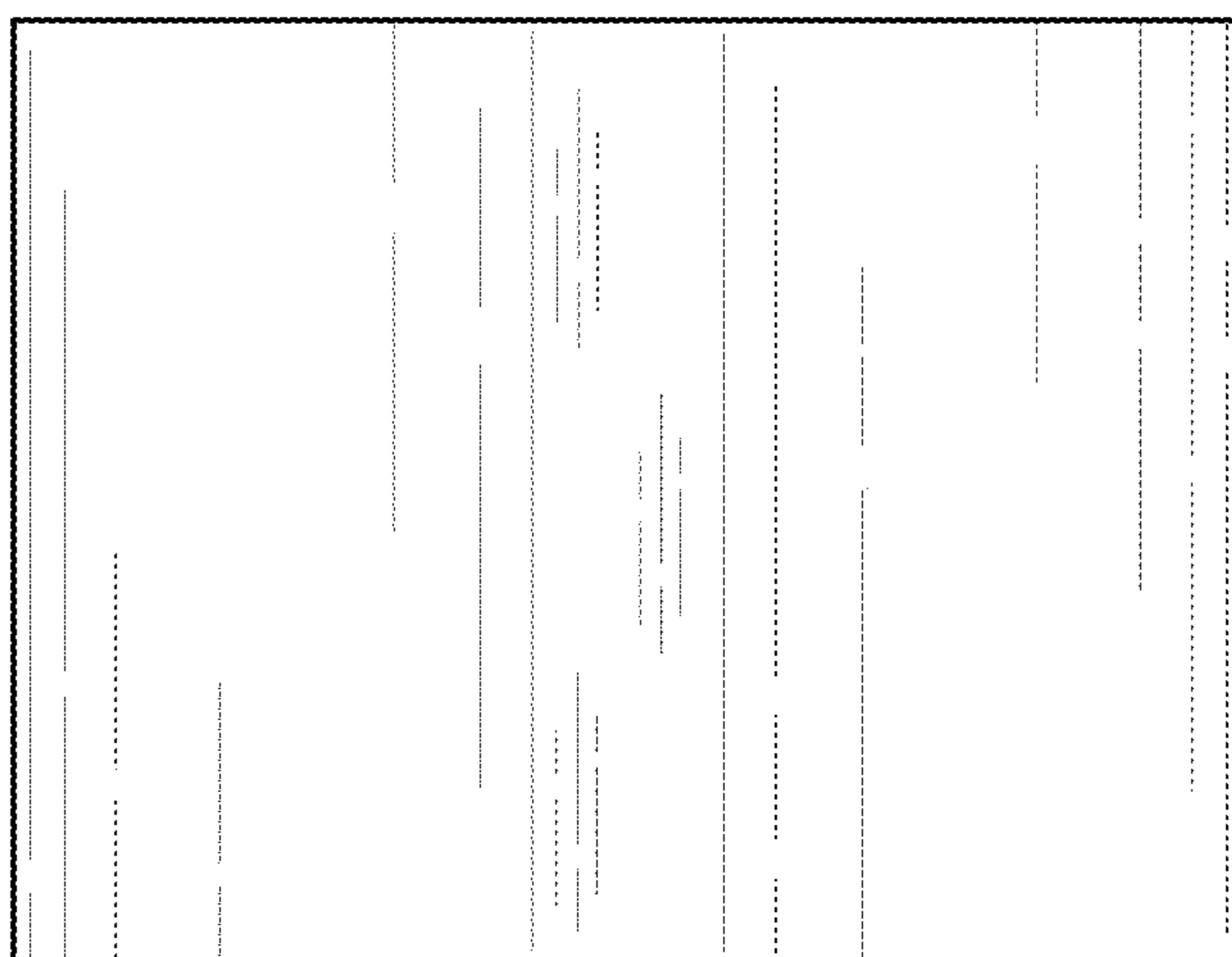


FIG. 5

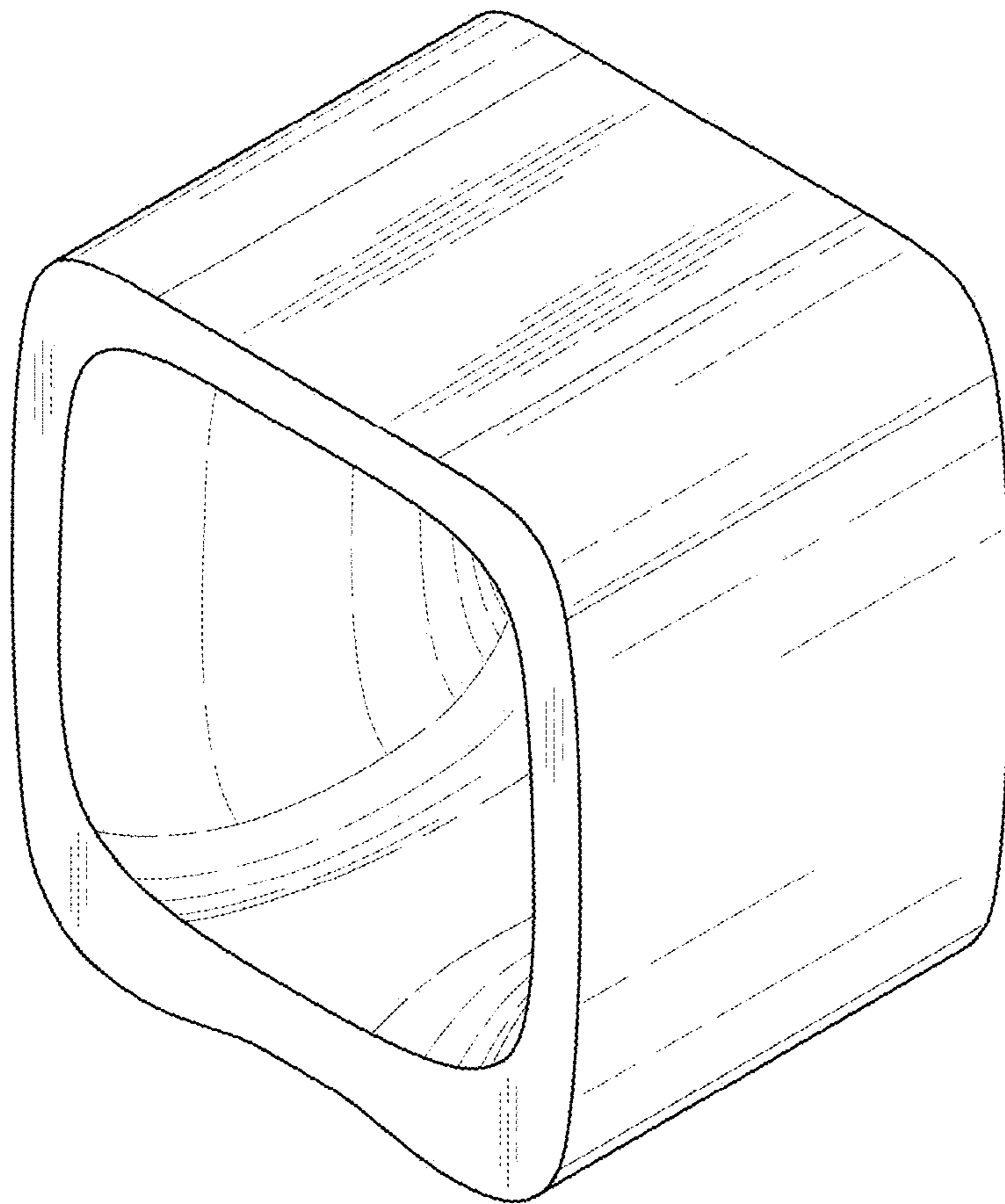


FIG. 6

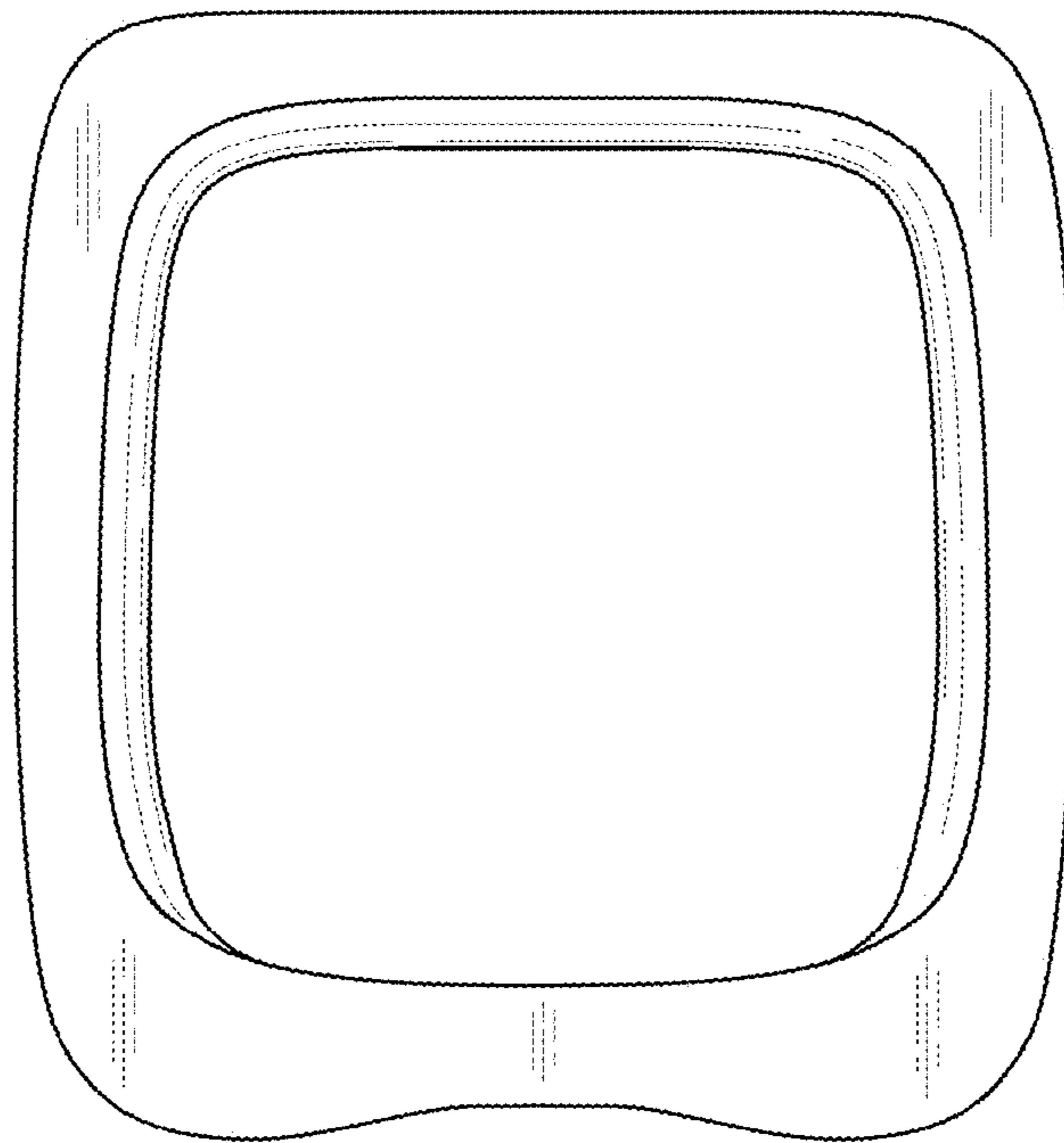


FIG. 7

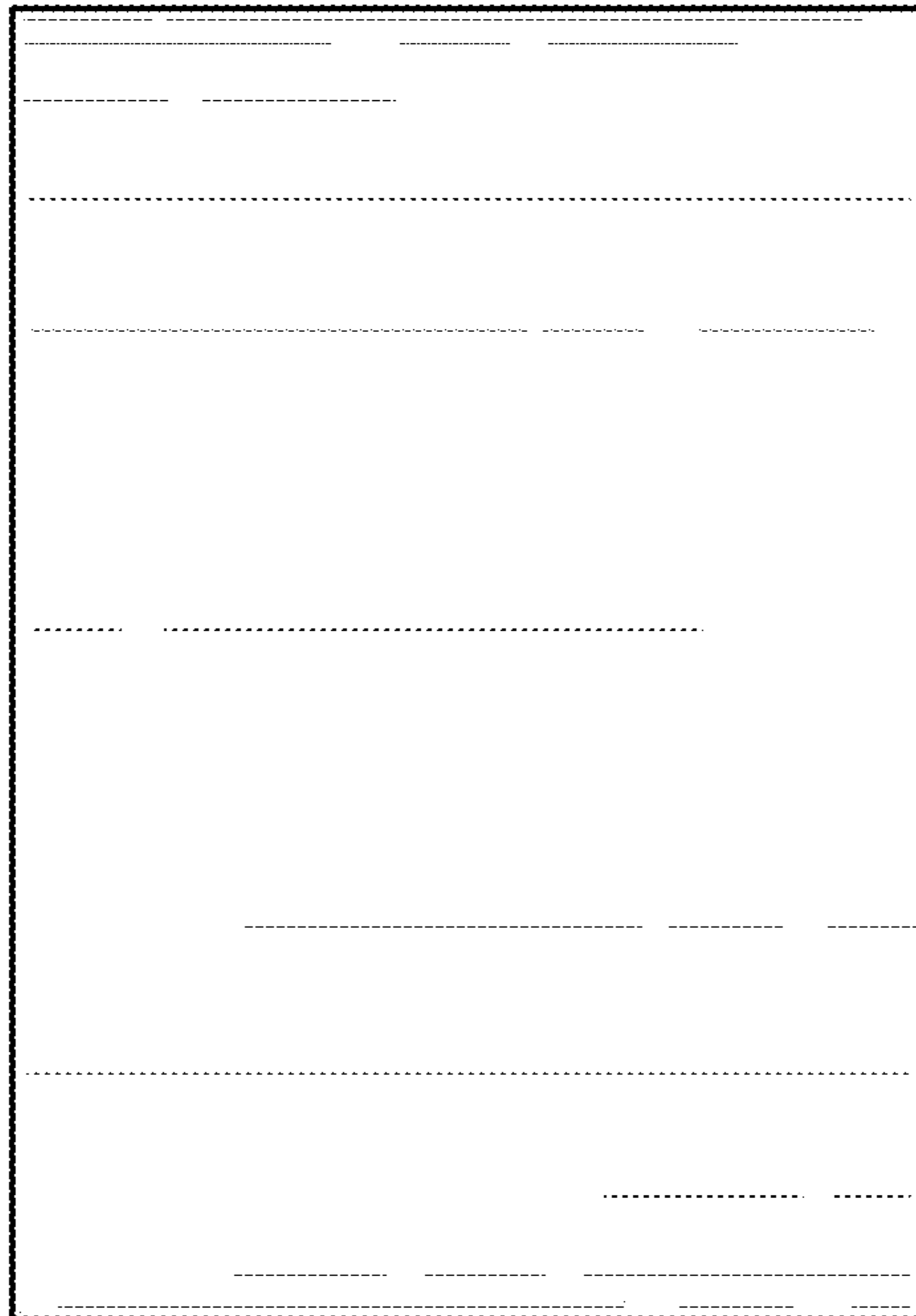


FIG. 8

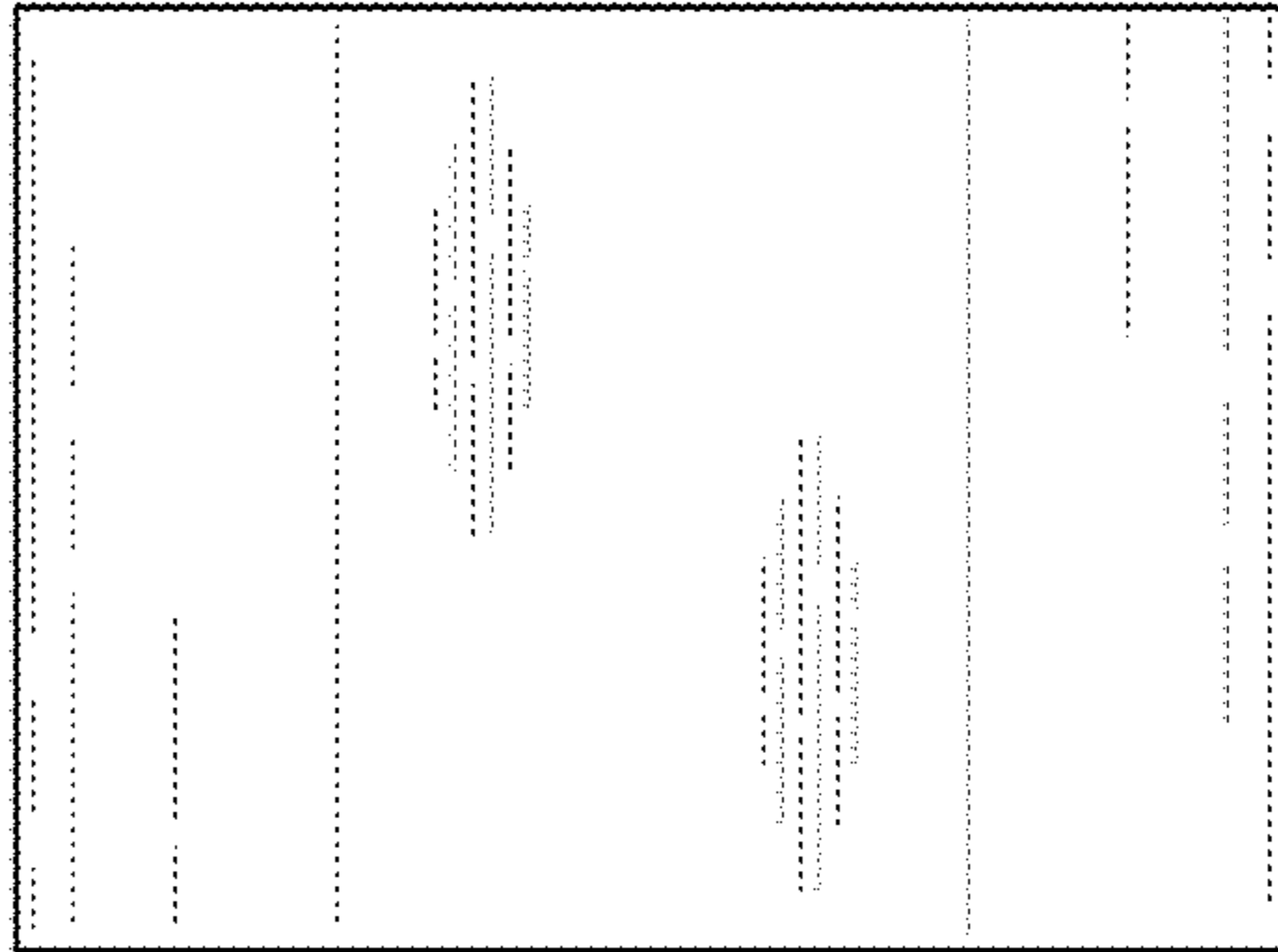


FIG. 9

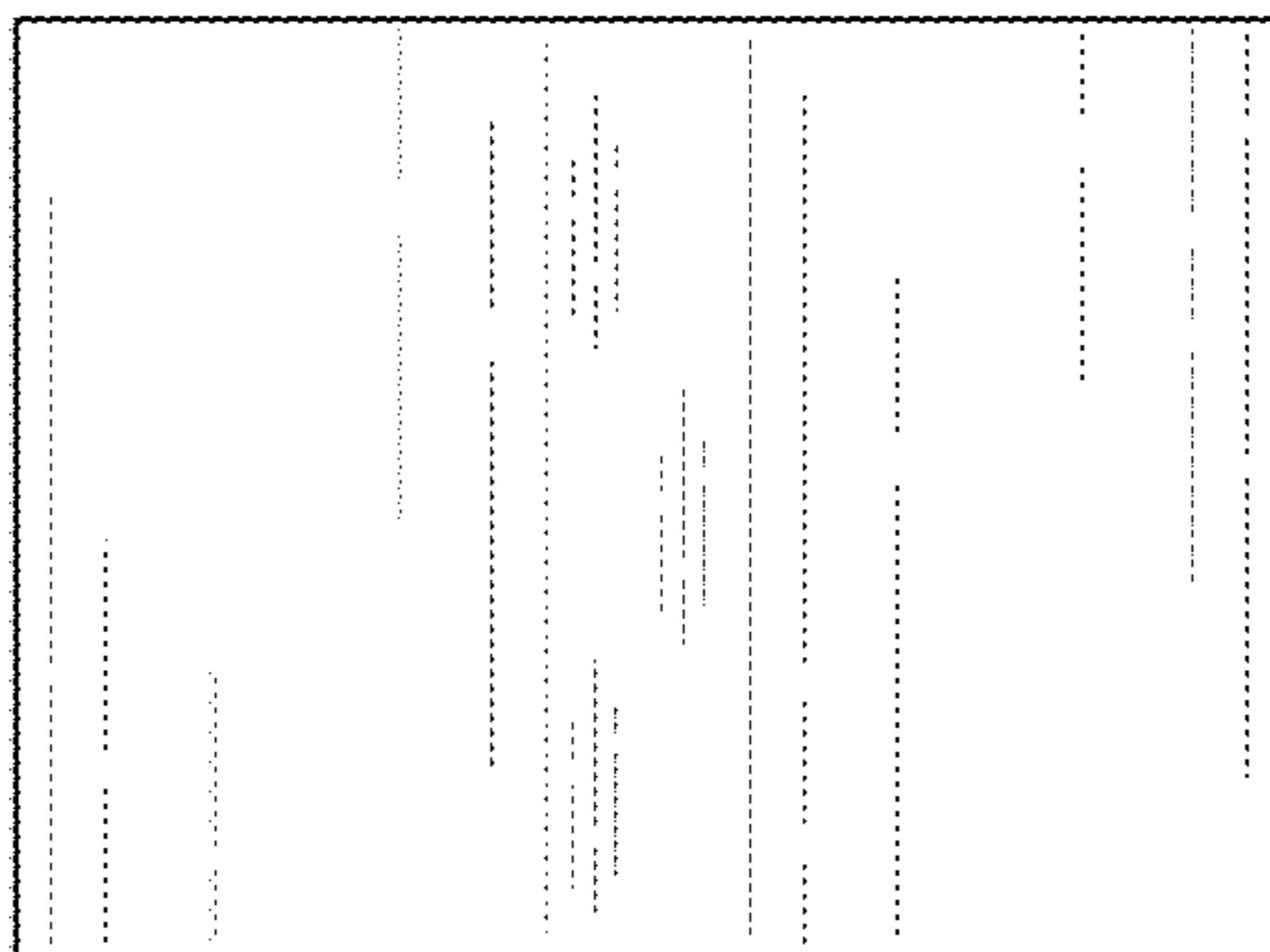


FIG. 10