



US00D789712S

(12) **United States Design Patent** (10) **Patent No.:** **US D789,712 S**
Bashkin (45) **Date of Patent:** **** Jun. 20, 2017**

(54) **STORAGE CONTAINER SHELF**
(71) Applicant: **3 STRIKE, LLC**, Cleveland, OH (US)
(72) Inventor: **Leonard M. Bashkin**, Cleveland, OH (US)
(73) Assignee: **3 Strike, LLC**, Cleveland, OH (US)
(**) Term: **15 Years**
(21) Appl. No.: **29/526,984**

6,694,221 B2 2/2004 Chavez et al.
7,092,789 B2 8/2006 Chavez et al.
D541,563 S * 5/2007 LaBonia, Jr. D6/705
D643,656 S * 8/2011 Golias, Sr. D6/705
D660,059 S * 5/2012 Nilsson D6/705
D676,694 S * 2/2013 Daily D6/703
D694,046 S * 11/2013 Walter D6/705
8,746,908 B2 * 6/2014 Michael F21V 33/0012
362/125
D718,966 S * 12/2014 Bennie A47B 47/0066
D6/705
9,349,113 B2 * 5/2016 Bashkin
(Continued)

(22) Filed: **May 14, 2015**
(51) **LOC (10) Cl.** **06-04**
(52) **U.S. Cl.**
USPC **D6/671**
(58) **Field of Classification Search**
USPC D6/370, 570, 630, 657, 659, 653.1,
D6/660-661, 662-662.1, 663, 664, 671,
D6/671.1, 672, 675.2-675.4, 678.1-682.2,
D6/703, 703.1, 705; D15/89
CPC A47B 17/03; A47B 17/04; A47B 57/04;
A47B 57/16; A47B 96/021; A47F 2/00;
A47F 3/00; A47F 3/005; A47F 3/06;
A47F 7/00; A47F 7/021; A47F 7/283;
A47F 9/00; B60N 3/002; E04B
2002/7483; E04B 2002/7488; F21V
33/0012
See application file for complete search history.

FOREIGN PATENT DOCUMENTS

EP 2363831 7/2011
WO 9950801 10/1999
WO 2005084237 9/2005

Primary Examiner — Ricky Pham
(74) *Attorney, Agent, or Firm* — Tucker Ellis LLP; Carlos P. Garritano

(57) **CLAIM**

The ornamental design for a storage container shelf, as shown and described.

DESCRIPTION

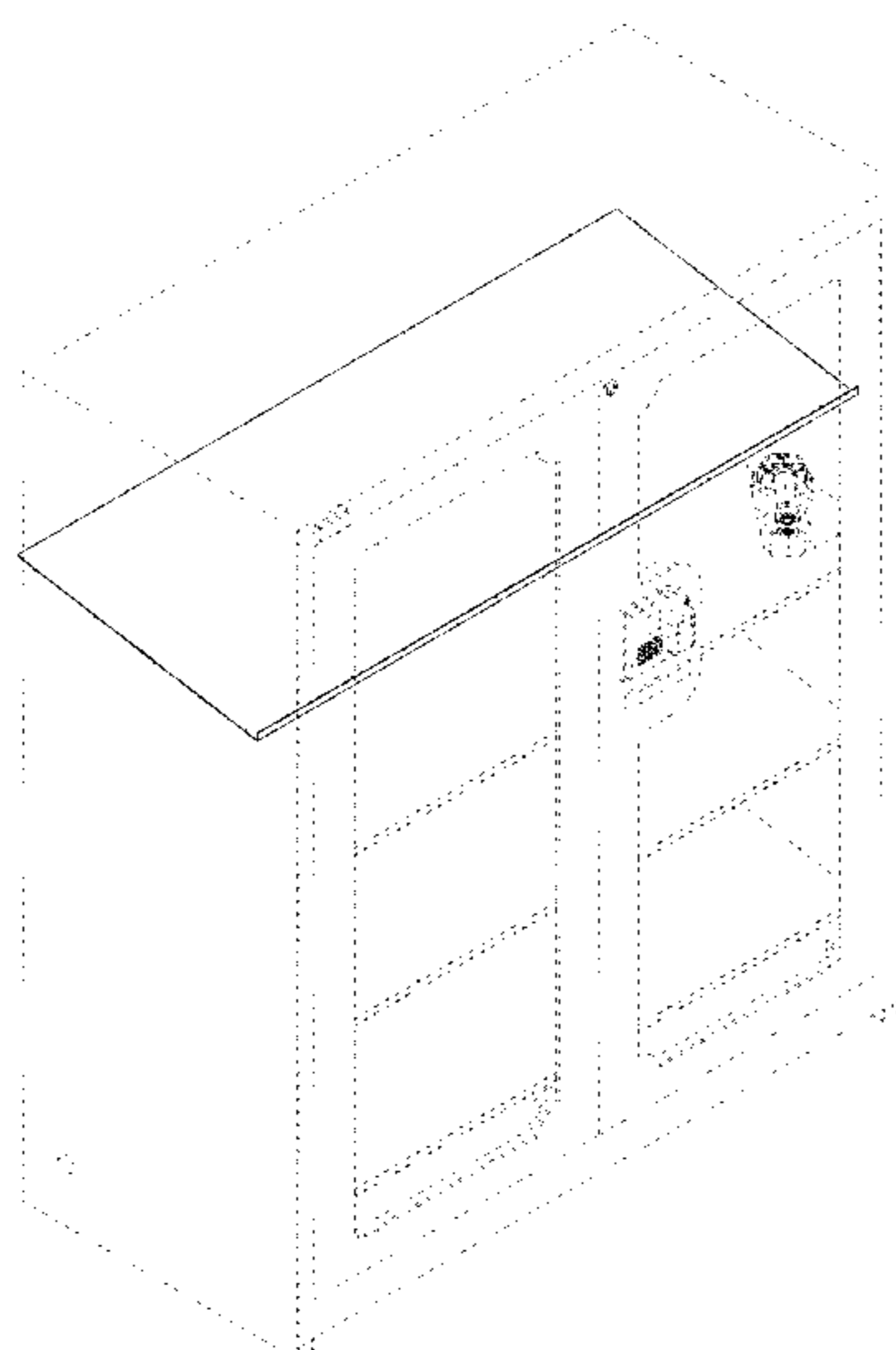
FIG. 1 is a top perspective view of a storage container shelf showing my new design with environment shown in broken lines;
FIG. 2 is a top perspective view of the storage container shelf;
FIG. 3 is front view thereof;
FIG. 4 is a rear view thereof;
FIG. 5 is a left side view with the right side being a mirror image thereof;
FIG. 6 is top view thereof; and,
FIG. 7 is a bottom view thereof.
The broken lines shown are environmental only and form no part of the claimed design.

(56) **References Cited**

U.S. PATENT DOCUMENTS

2,459,443 A * 1/1949 Mabry B60N 3/002
108/152
D246,147 S * 10/1977 Muller D6/662.1
4,742,925 A * 5/1988 Henderson A47B 96/021
108/180
D309,461 S * 7/1990 Bussan D15/89
4,938,442 A * 7/1990 Mastrodicasa A47B 57/04
108/6
5,905,653 A 5/1999 Higham et al.

1 Claim, 3 Drawing Sheets



(56)

References Cited

U.S. PATENT DOCUMENTS

2002/0118111	A1	8/2002	Brown et al.
2009/0072029	A1	3/2009	Martin
2010/0045423	A1	2/2010	Glickman et al.
2010/0106625	A1	4/2010	McCoy
2012/0130534	A1	5/2012	Wurm
2012/0200385	A1	8/2012	Savage et al.
2013/0070090	A1	3/2013	Bufalini et al.
2014/0168396	A1	6/2014	Kempiak et al.

* cited by examiner

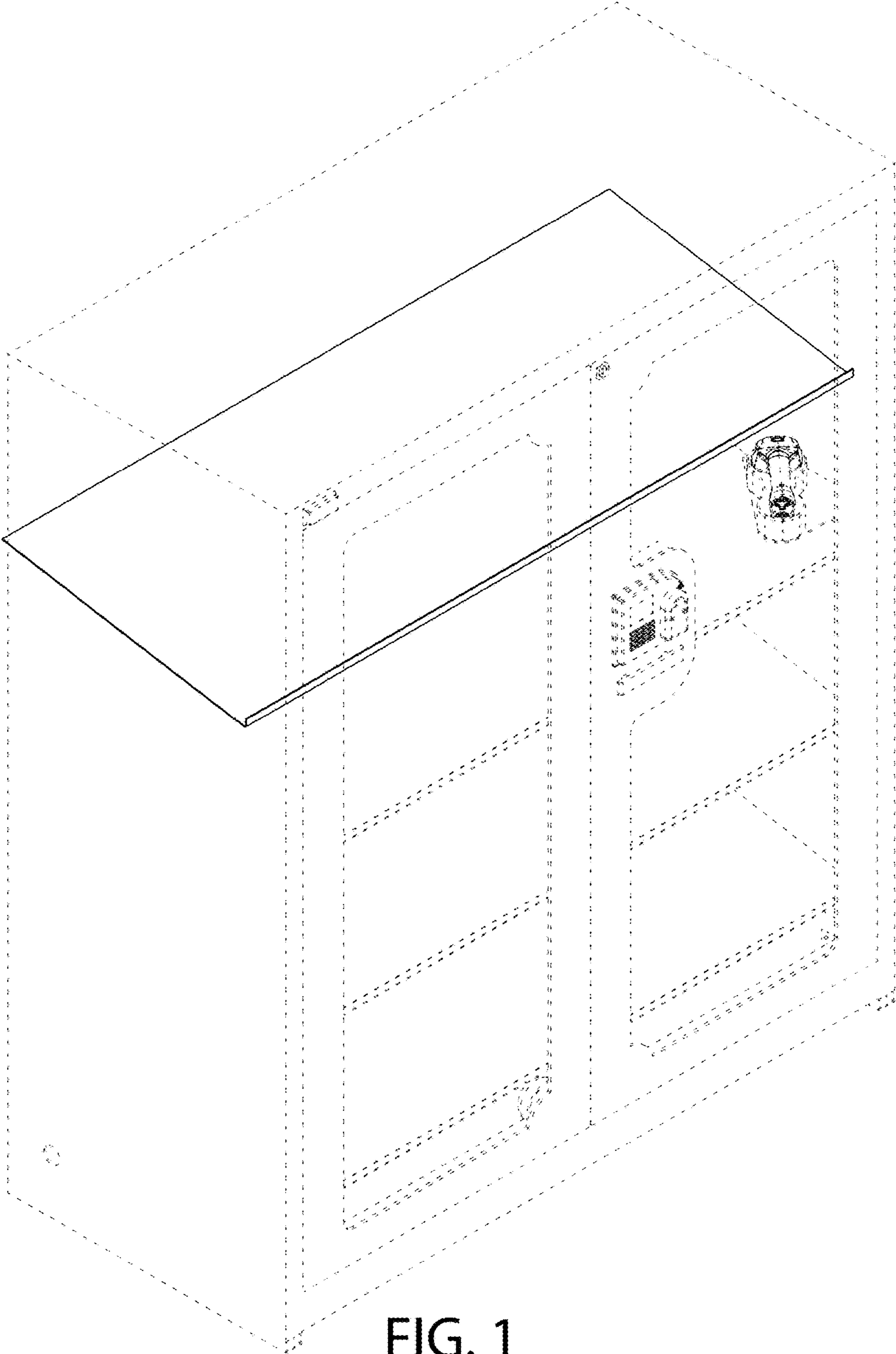


FIG. 1

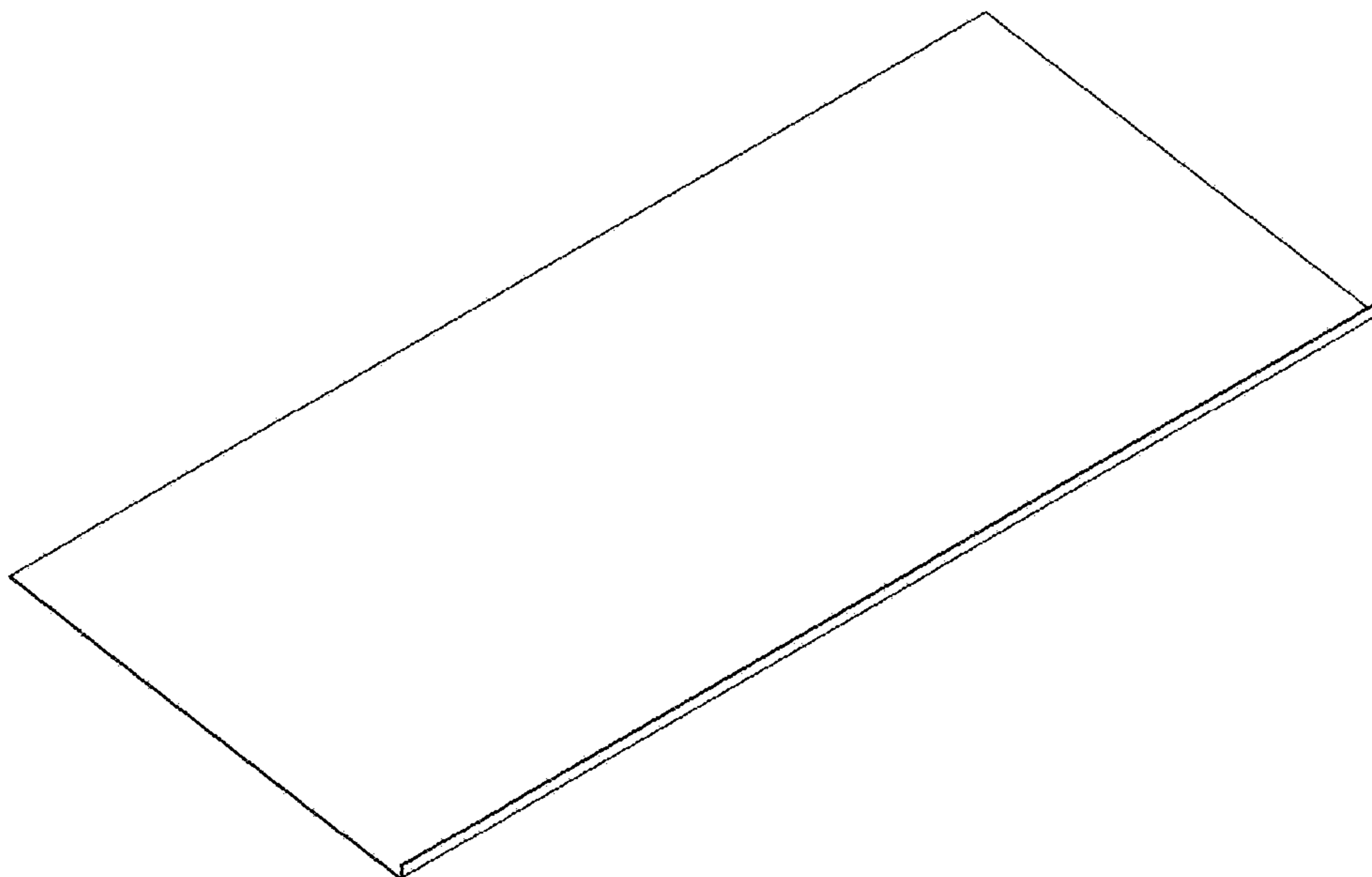


FIG. 2

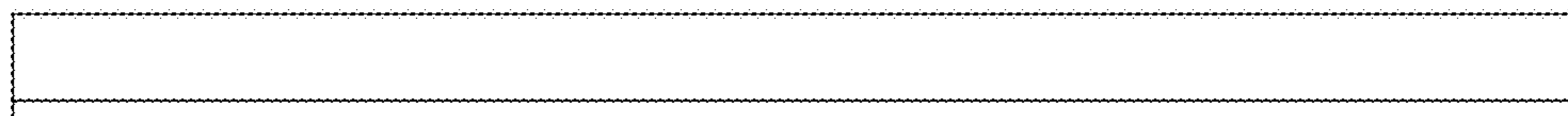


FIG. 3



FIG. 4



FIG. 5

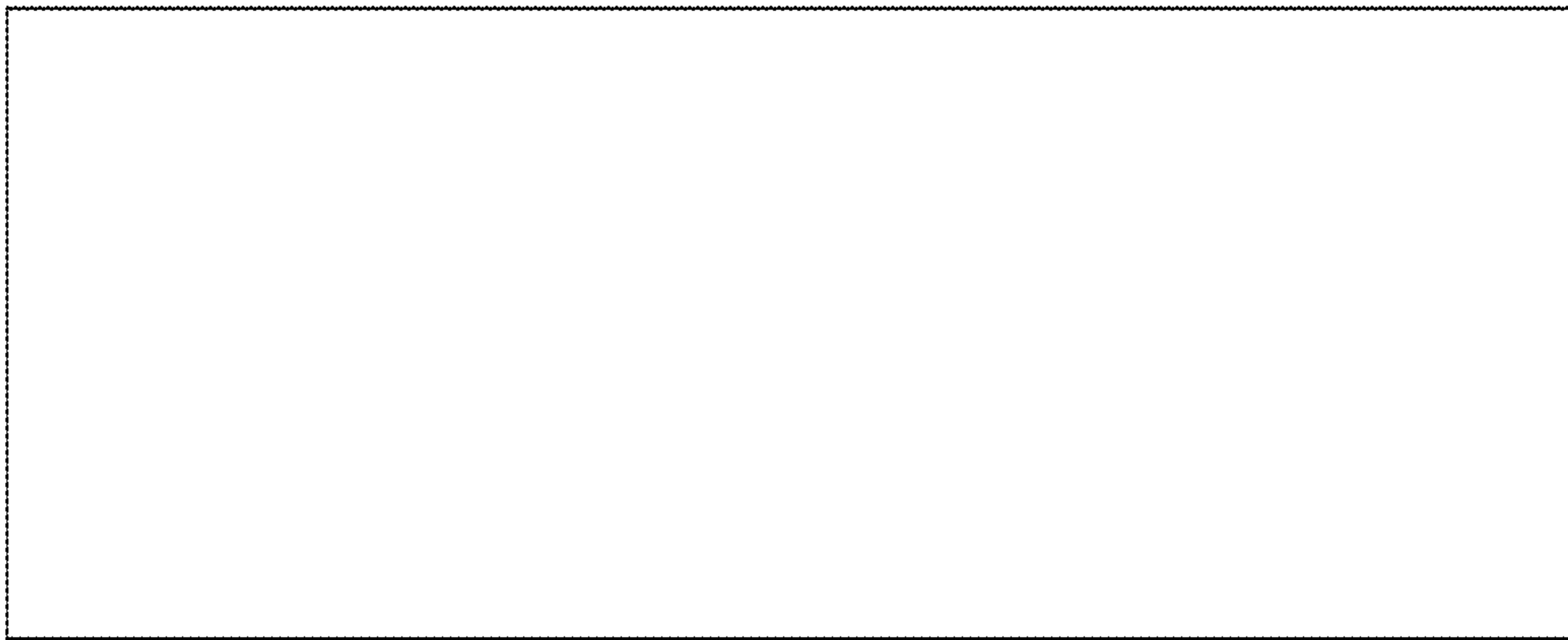


FIG. 6

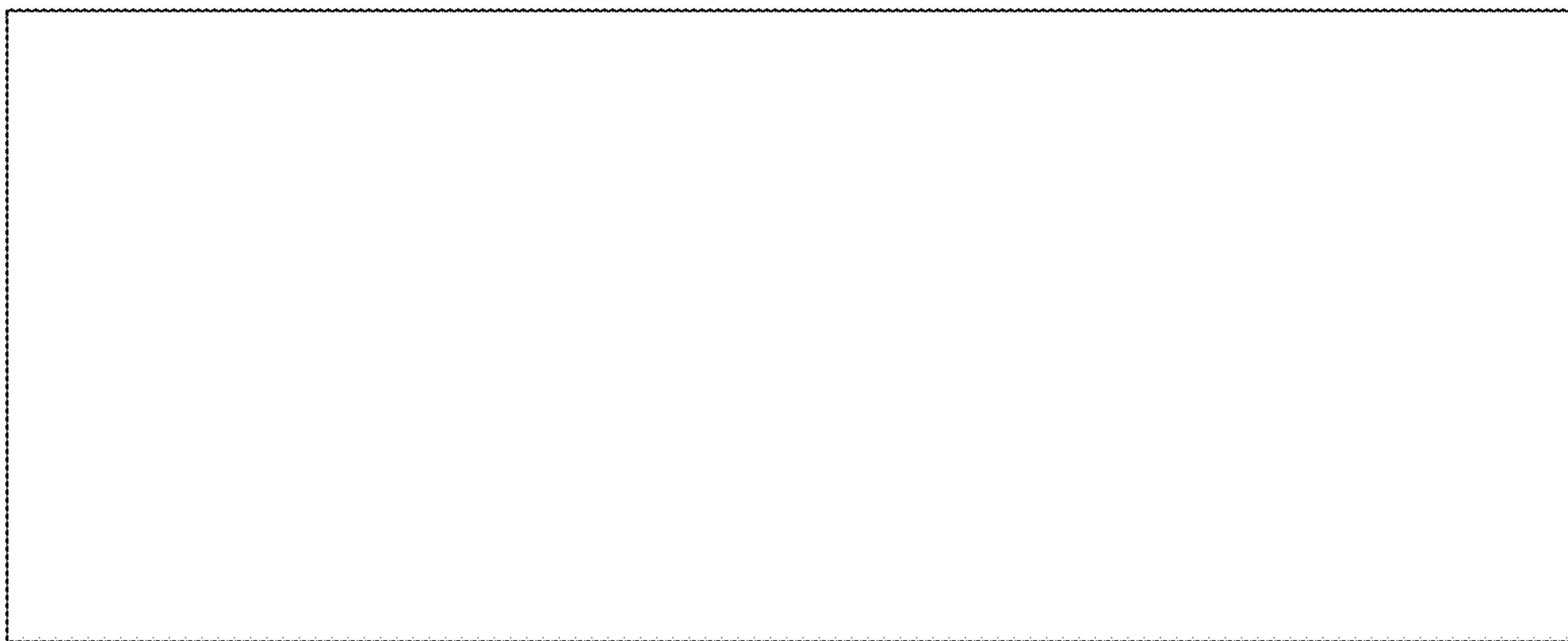


FIG. 7