



US00D789710S

(12) **United States Design Patent**  
**Holbrook**

(10) **Patent No.:** **US D789,710 S**  
(45) **Date of Patent:** **\*\* Jun. 20, 2017**

(54) **COLLABORATIVE WORKSPACE**  
(71) Applicant: **Prospect Furniture LLC**, Pasadena, CA (US)  
(72) Inventor: **Richard Holbrook**, Pasadena, CA (US)  
(73) Assignee: **Prospect Furniture LLC**, Pasadena, CA (US)  
(\*\*) Term: **15 Years**

6,098,358 A 8/2000 Waalkes  
6,240,687 B1 6/2001 Chong  
6,272,795 B1 8/2001 Brauning  
D449,169 S \* 10/2001 Bennie ..... D6/332  
D452,559 S \* 12/2001 Schonberger ..... D23/406  
6,481,678 B1 11/2002 Chong  
D481,546 S \* 11/2003 Dowd ..... D6/332  
D513,564 S \* 1/2006 Nobles ..... D6/332  
D527,917 S \* 9/2006 McHugh ..... D6/332  
D530,104 S \* 10/2006 Saffell ..... D6/332  
D603,185 S 11/2009 Bockheim

(Continued)

(21) Appl. No.: **29/586,584**  
(22) Filed: **Dec. 5, 2016**

FOREIGN PATENT DOCUMENTS

EP 0551186 1/1993

**Related U.S. Application Data**

(62) Division of application No. 29/574,409, filed on Aug. 15, 2016, now Pat. No. Des. 785,374.  
(51) **LOC (10) Cl.** ..... **06-04**  
(52) **U.S. Cl.**  
USPC ..... **D6/643**  
(58) **Field of Classification Search**  
USPC ..... D6/329, 332, 641-643, 643.1, 644;  
D25/58; D16/241; D23/406  
CPC ..... A47B 2200/01; A47B 2200/0066; A47B  
2200/0071; A47B 2200/007; A47B 96/04;  
A47B 96/02; A47B 87/00; E04B 2/72;  
E04B 2/7416; G09B 21/06; G09B 21/56;  
G09B 21/606  
See application file for complete search history.

OTHER PUBLICATIONS

orangebox.com, Apr. 7, 2016, Internet printout: [http://www.orangebox.com/product\\_range/pods\\_and\\_screens](http://www.orangebox.com/product_range/pods_and_screens).

(Continued)

*Primary Examiner* — Mary Ann Calabrese  
(74) *Attorney, Agent, or Firm* — Todd R. Miller; Vested Law LLP

(57) **CLAIM**

The ornamental design for a collaborative workspace, as shown and described.

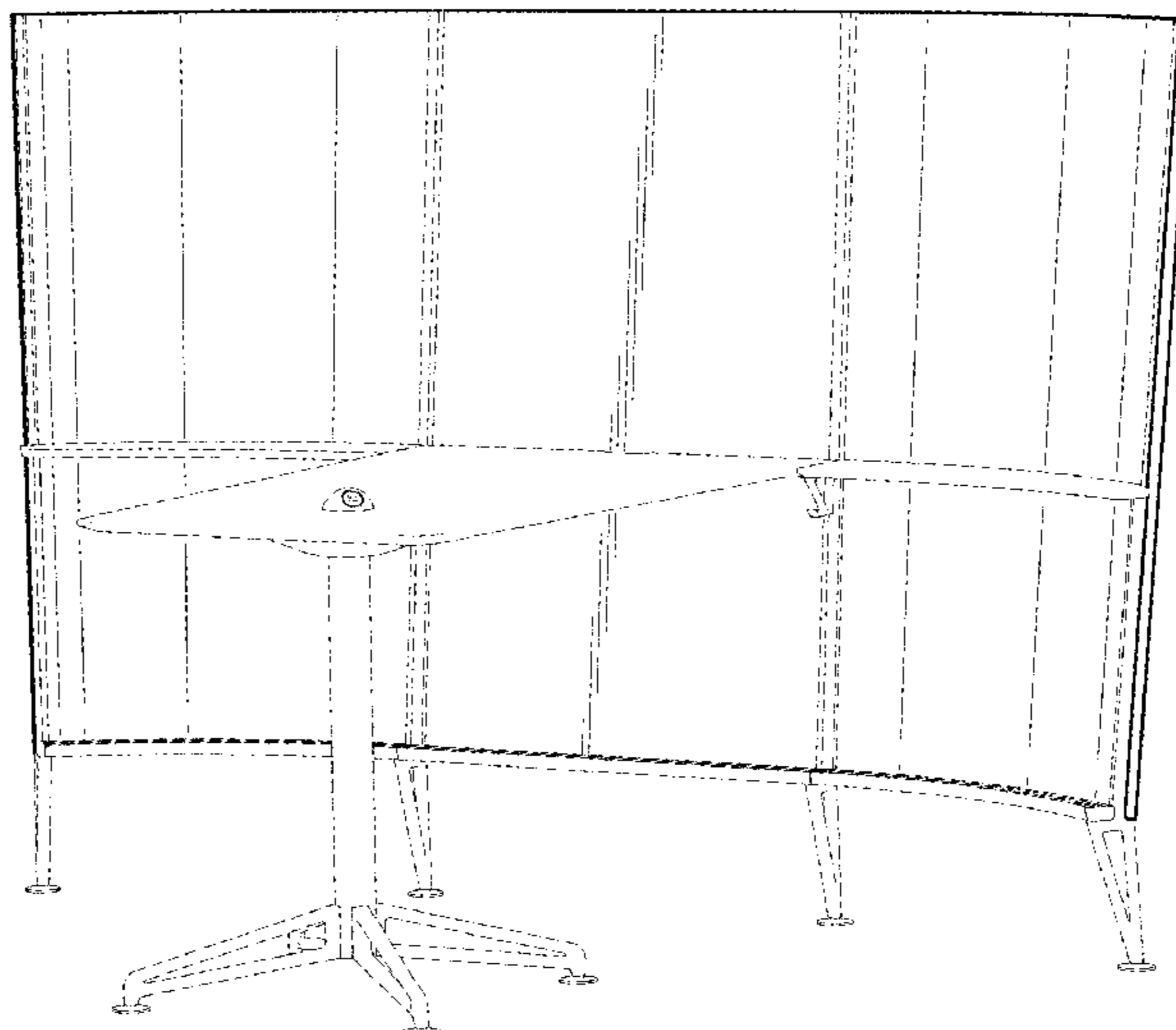
**DESCRIPTION**

FIG. 1 is a perspective view of the inventive design; FIG. 2 is a front view of FIG. 1; FIG. 3 is a left view of FIG. 1; FIG. 4 is a rear view of FIG. 1; FIG. 5 is a top view of FIG. 1; and, FIG. 6 is a bottom view of FIG. 1. The broken lines are directed to portions of the collaborative workspace that form no part of the claimed design.

**1 Claim, 6 Drawing Sheets**

(56) **References Cited**  
U.S. PATENT DOCUMENTS

5,058,331 A 10/1991 Epps  
D332,188 S 1/1993 Brodbeck  
5,253,595 A 10/1993 Heidmann  
D353,946 S \* 1/1995 Fischer ..... D25/58  
5,406,760 A 4/1995 Edwards  
5,592,794 A 1/1997 Tundaun  
D408,171 S \* 4/1999 Belka ..... D6/643



(56)

References Cited

U.S. PATENT DOCUMENTS

D651,416 S	1/2012	Martin	
D659,427 S *	5/2012	Nicolas .....	D6/644
D673,203 S *	12/2012	Jacques .....	D16/200
D728,947 S	5/2015	Schweikarth	
D743,189 S	11/2015	Hecht	
D747,718 S *	1/2016	Drabant .....	D14/371
9,403,400 B2 *	8/2016	McManus	
D774,318 S *	12/2016	Tsuchiyama .....	D6/332
D778,075 S *	2/2017	Holbrook .....	D6/332
D785,374 S *	5/2017	Holbrook .....	D6/643
2002/0179558 A1	12/2002	Venegas	
2003/0205010 A1	11/2003	Anglin	
2007/0175131 A1	8/2007	Mueller	
2008/0002161 A1 *	1/2008	Streid .....	G03B 21/32 353/98
2008/0134601 A1	6/2008	Cruz	

OTHER PUBLICATIONS

Buzzi.space, Apr. 7, 2016, Internet printout: <http://buzzi.space/buzziville/>.

bene.com, Apr. 7, 2016, Internet printout: <http://bene.com/en/docklands-pearsonlloyd/>.

frameryacoustics.com, Apr. 7, 2016, Internet printout: <http://www.frameryacoustics.com/en/home/>.

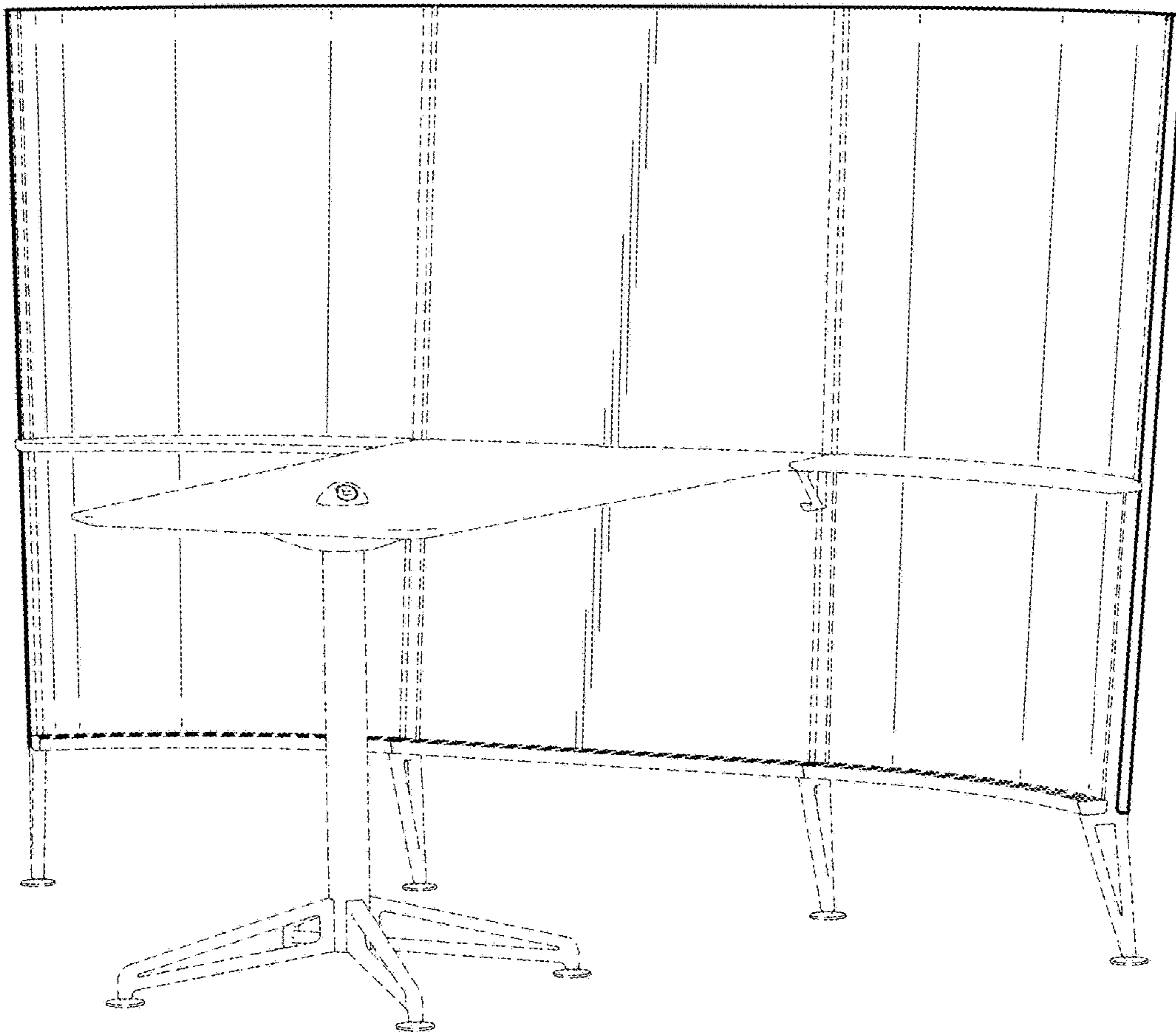
hermanmiller.com, Apr. 7, 2016, Internet printout: [http://www.hermanmiller.com/global/en\\_apc/products/workspaces/collaborative-furniture/kivo.html](http://www.hermanmiller.com/global/en_apc/products/workspaces/collaborative-furniture/kivo.html).

nomadflexiblefurniture.com, Apr. 7, 2016, Internet printout: [http://www.nomadflexiblefurniture.com/hive\\_web/collaboration.html](http://www.nomadflexiblefurniture.com/hive_web/collaboration.html).

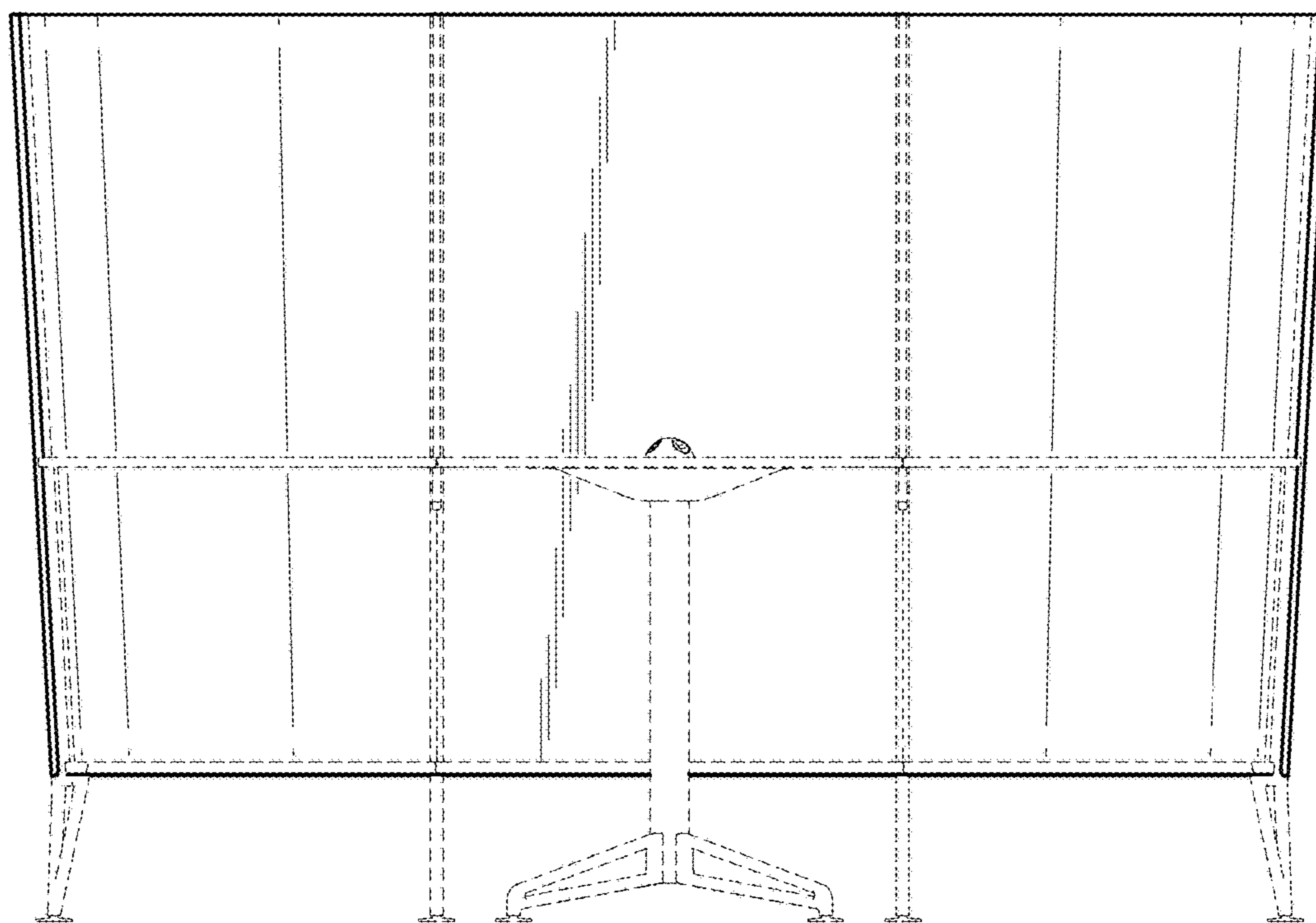
vitra.com, Apr. 7, 2016, Internet printout: <https://www.vitra.com/en-us/product/workbays?subfam.id=207226>.

haworth.com, Apr. 7, 2016, Internet printout: <http://www.haworth.com/home/workspaces/collaborative/openest>.

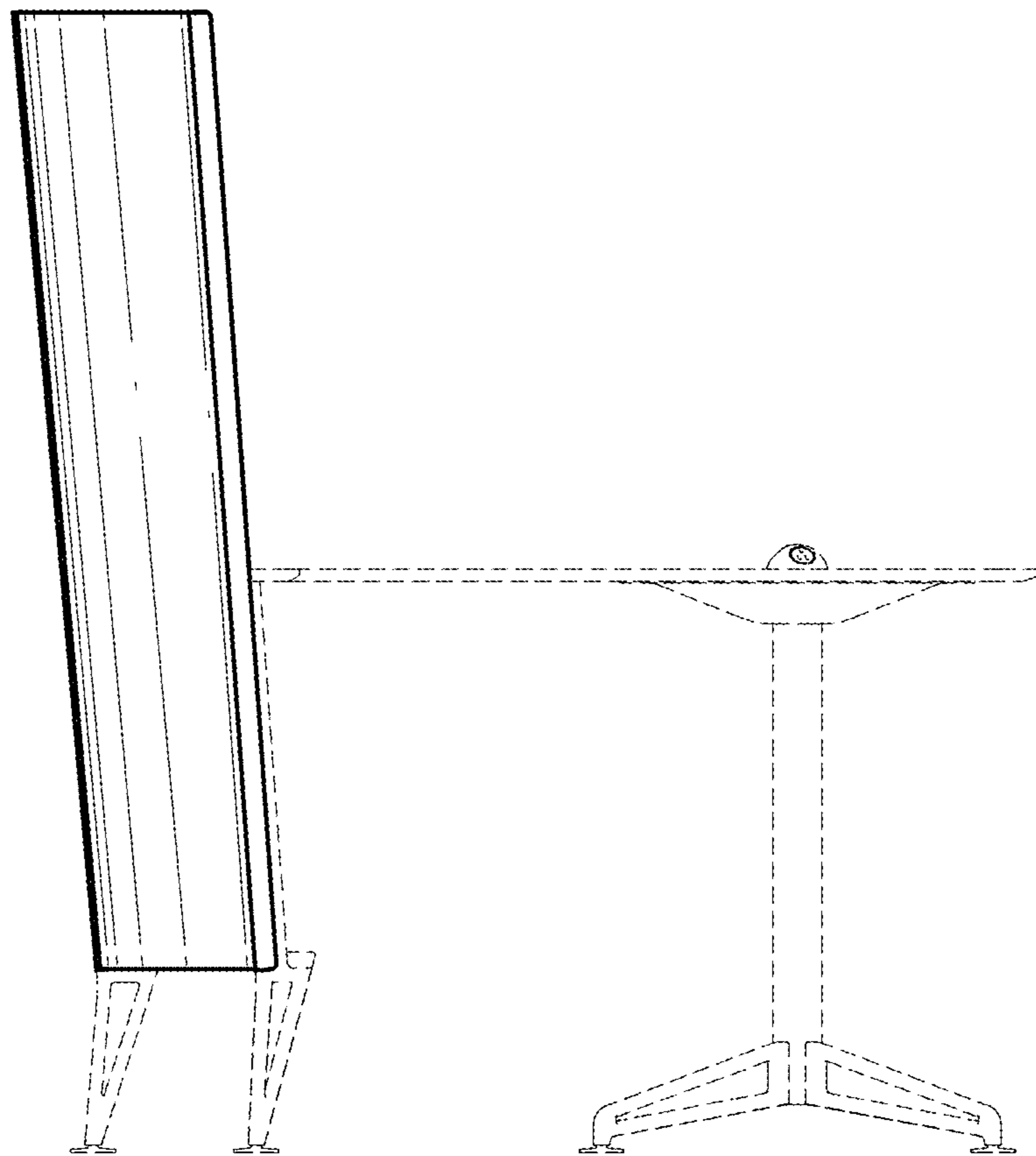
\* cited by examiner



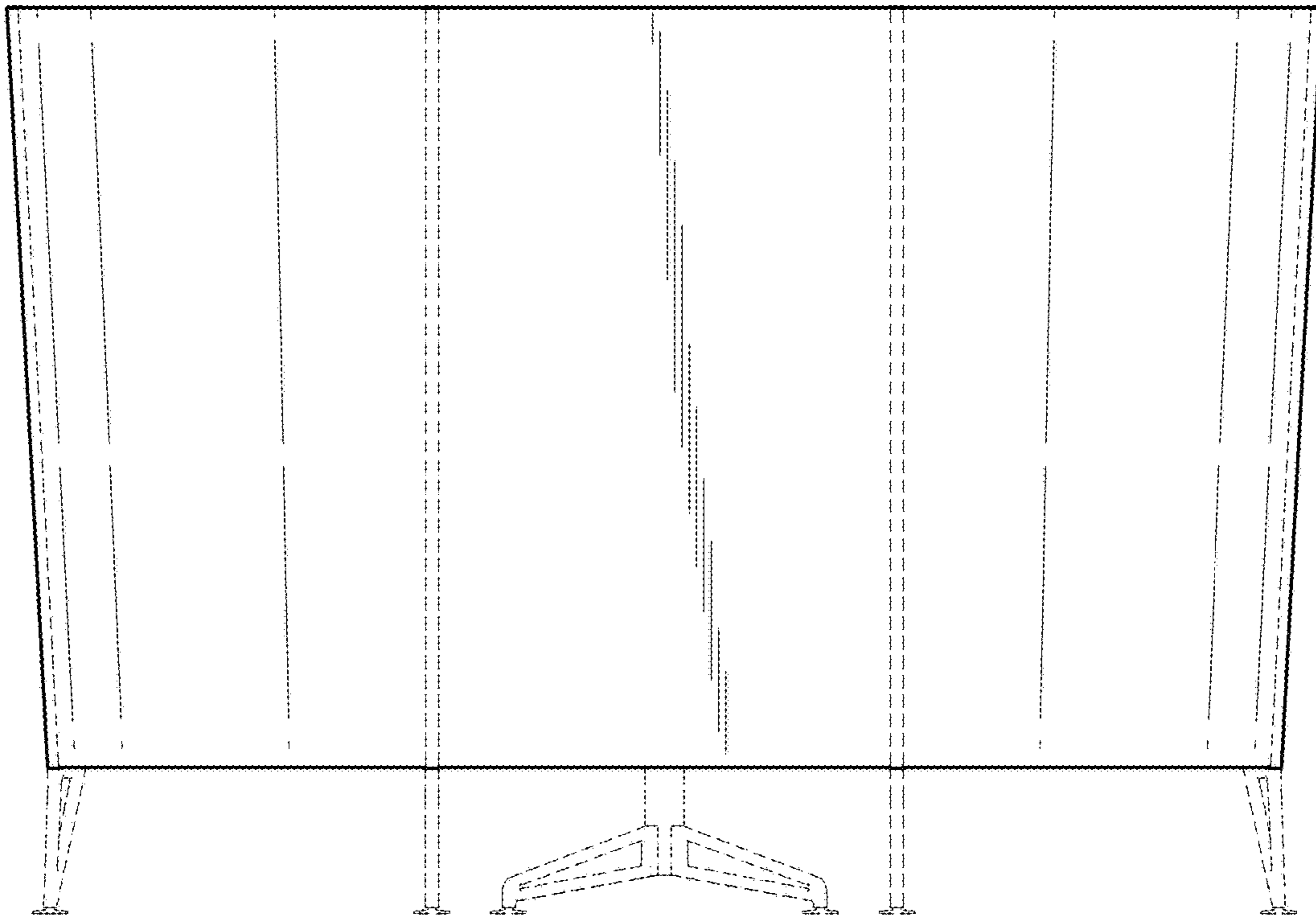
**FIG. 1**



**FIG. 2**

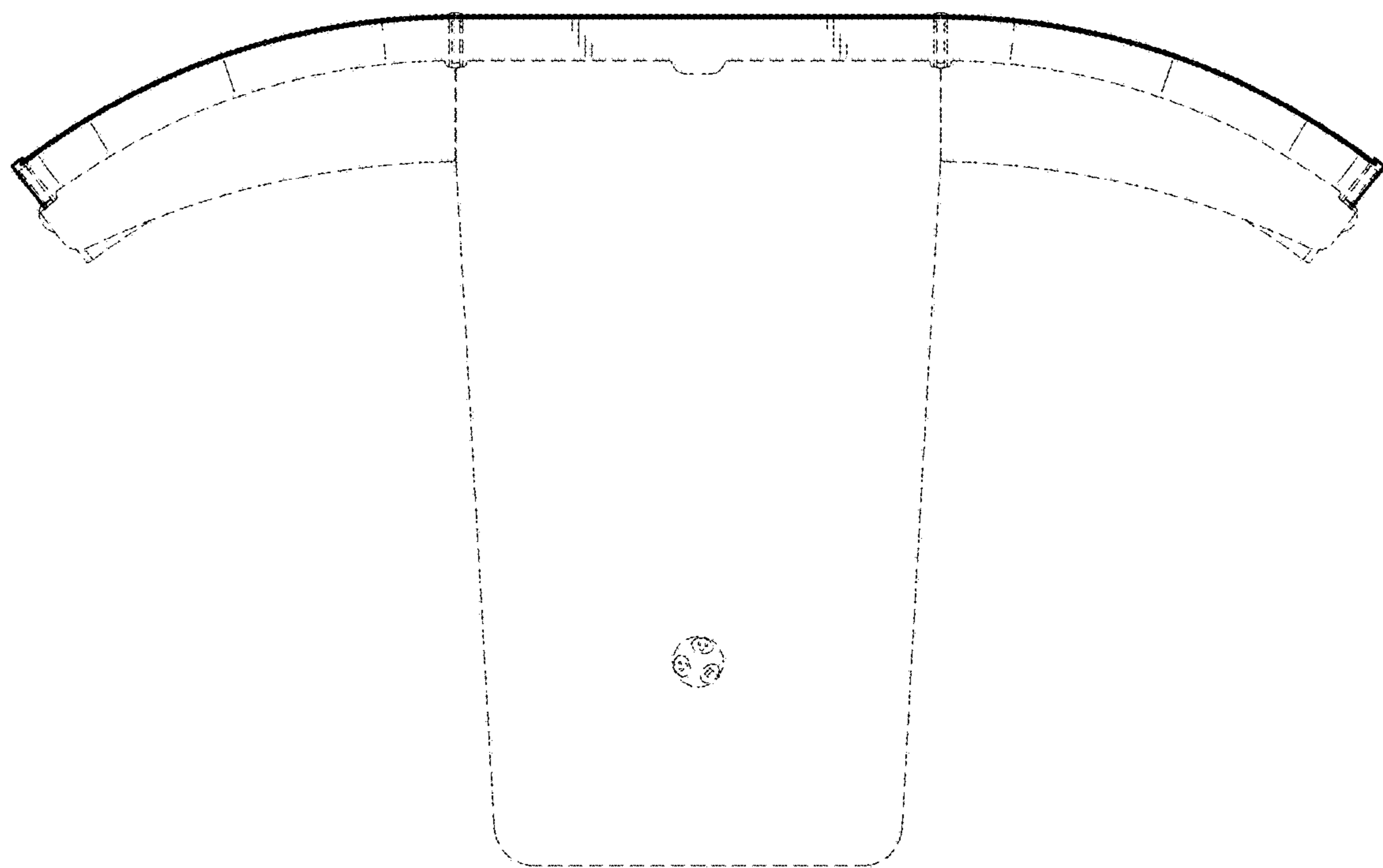


**FIG. 3**

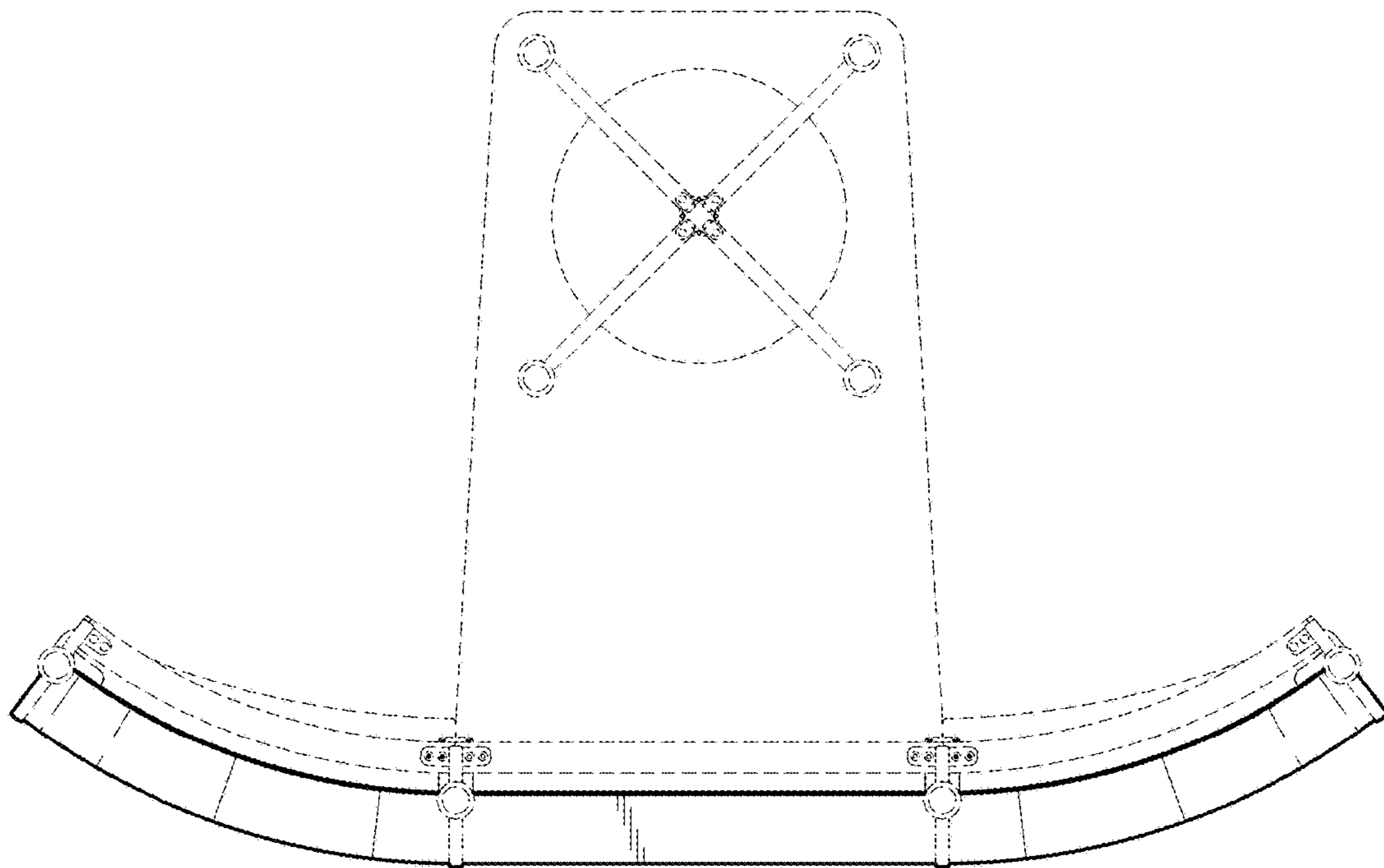


**FIG. 4**





**FIG. 5**



**FIG. 6**