



US00D789706S

(12) **United States Design Patent** (10) **Patent No.:** **US D789,706 S**
Brogan et al. (45) **Date of Patent:** **** Jun. 20, 2017**

(54) **WALL MOUNTED KEY HOLDER**
(71) Applicants: **John Brogan**, Chalfont, PA (US); **Scott Soley**, Souderton, PA (US)
(72) Inventors: **John Brogan**, Chalfont, PA (US); **Scott Soley**, Souderton, PA (US)
(**) Term: **15 Years**
(21) Appl. No.: **29/555,186**
(22) Filed: **Feb. 19, 2016**
(51) **LOC (10) Cl.** **06-04**
(52) **U.S. Cl.**
USPC **D6/553**
(58) **Field of Classification Search**
USPC D6/553, 315, 320, 512, 513, 566, 567,
D6/569; D8/349, 354, 367, 372;
D14/168, 188, 497; D17/14, 20
(Continued)

(56) **References Cited**
U.S. PATENT DOCUMENTS
D508,478 S * 8/2005 Nakajima D14/188
D564,819 S * 3/2008 Fosburg D6/569
(Continued)

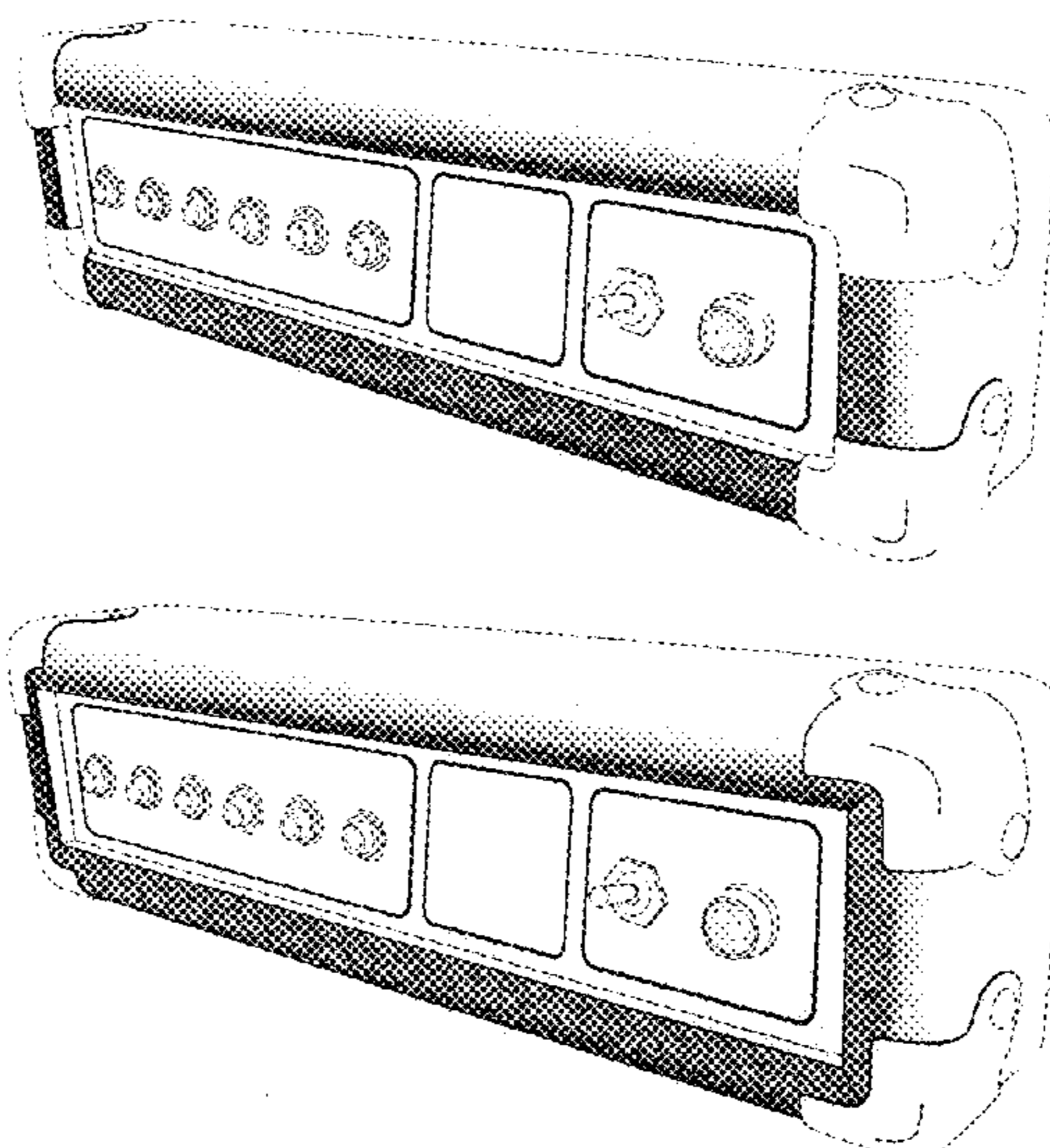
OTHER PUBLICATIONS
Joe Bonamassa, Bona-Fide Classic Amp Replica—Key Holder, retrieved on Jan. 30, 2017, 1/1-©Questel, URL:<http://shop.jbonamassa.com/products/bona-fide-classic-amp-replica-key-holder>, pp. 1-4r.*

Primary Examiner — Wan Laymon
Assistant Examiner — Mark Booker

(57) **CLAIM**
The ornamental design for a wall mounted key holder, as shown and described.

DESCRIPTION
FIG. 1 is a front right perspective view of an embodiment of our design.
FIG. 2 is a front elevational view of the embodiment shown in FIG. 1.
FIG. 3 is top right perspective view of the embodiment shown in FIG. 1, seen from the right side with the front facing up.
FIG. 4 is top elevational view of the embodiment shown in FIG. 1.
FIG. 5 is bottom elevational view of the embodiment shown in FIG. 1.
FIG. 6 is left elevational view of the embodiment shown in FIG. 1.
FIG. 7 is right elevational view of the embodiment shown in FIG. 1.
FIG. 8 is back right perspective view of the embodiment shown in FIG. 1.
FIG. 9 is a front right perspective view of another embodiment of our design.
FIG. 10 is a front elevational view of the embodiment shown in FIG. 9.
FIG. 11 is top right perspective view of the embodiment shown in FIG. 9, seen from the right side with the front facing up.
FIG. 12 is top elevational view of the embodiment shown in FIG. 9.
FIG. 13 is bottom elevational view of the embodiment shown in FIG. 9.
FIG. 14 is left elevational view of the embodiment shown in FIG. 9.
FIG. 15 is right elevational view of the embodiment shown in FIG. 9; and,
FIG. 16 is back right perspective view of the embodiment shown in FIG. 9.
The broken lines shown in the figures represent portions of the wall mounted key holder that form no part of the claimed design. The stippling and shading lines are to show contours and forms no part of the claimed design.

1 Claim, 12 Drawing Sheets



(58) **Field of Classification Search**

CPC A47B 96/067; B25H 3/04; A47C 17/84;
Y10T 70/8676; Y10T 24/1379; Y10T
24/45026; A47G 29/10; A44D 2203/00
See application file for complete search history.

(56) **References Cited**

U.S. PATENT DOCUMENTS

D607,253	S	*	1/2010	McCammon	D6/553
D616,687	S	*	6/2010	Yuzyk	D6/553
D686,846	S	*	7/2013	Kozak	D6/566
D699,211	S	*	2/2014	Koiwa	D14/188

* cited by examiner

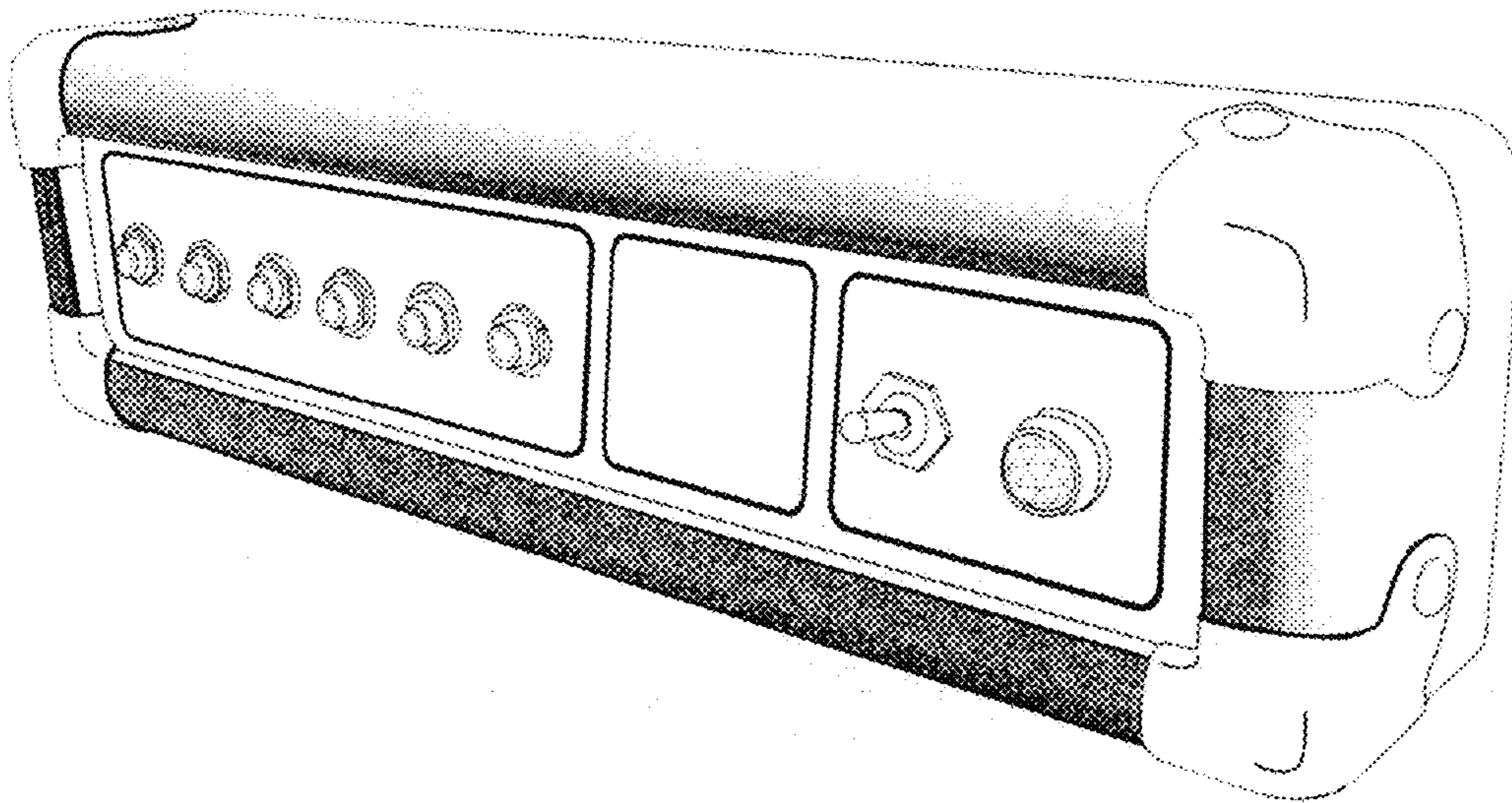


Fig. 1

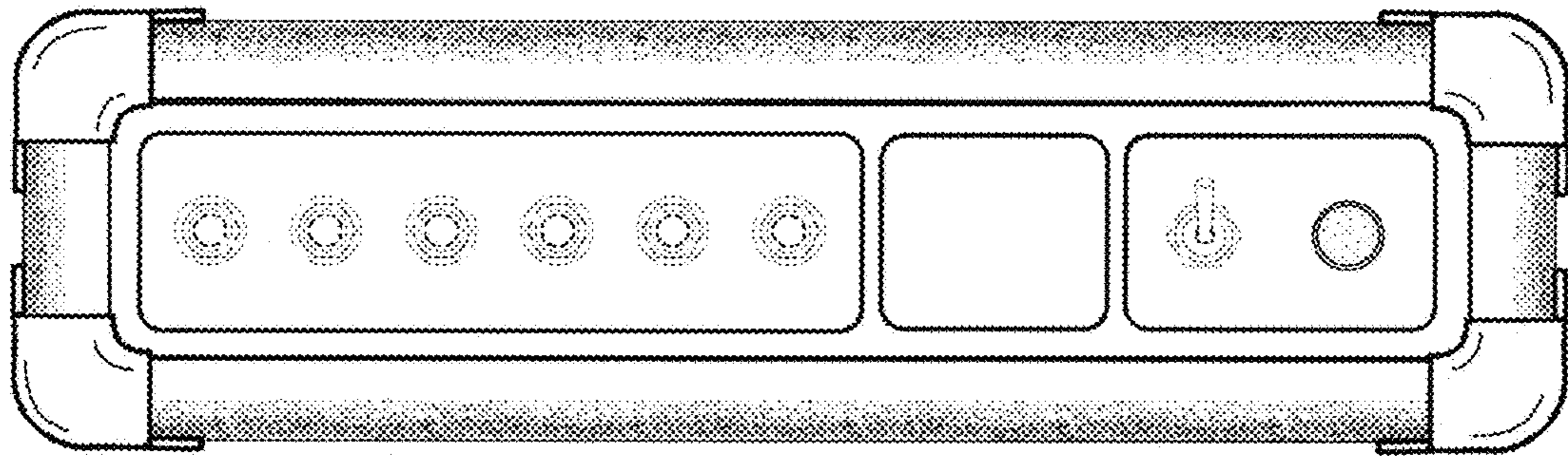


Fig. 2

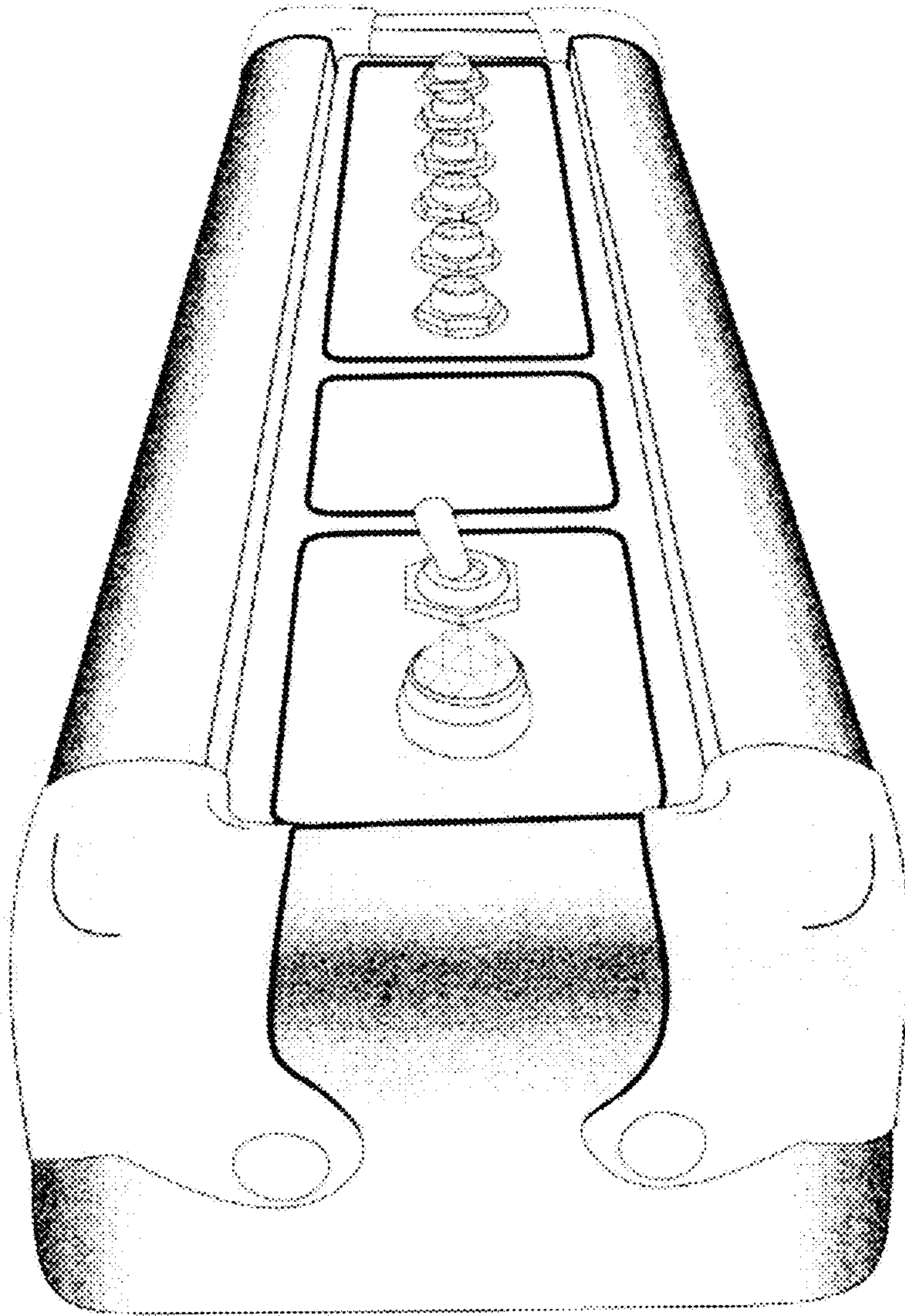


Fig. 3

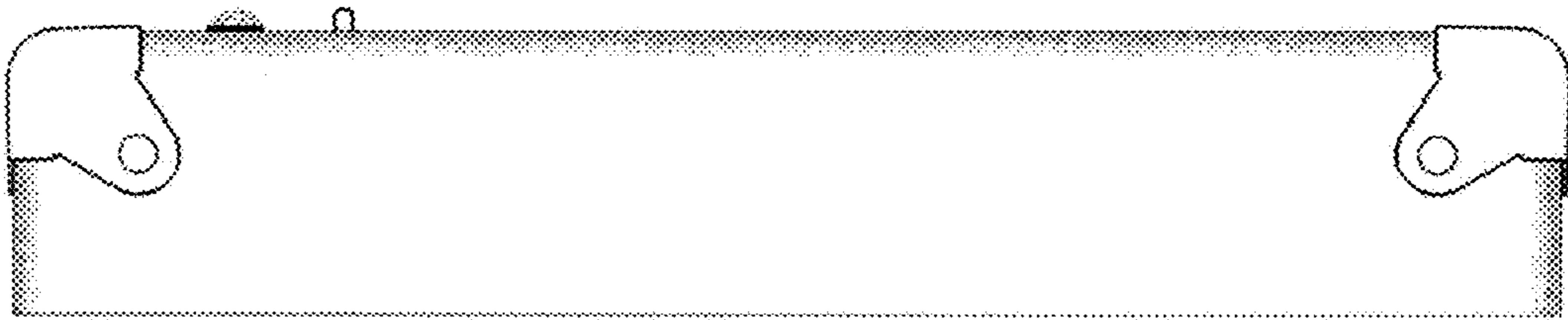


Fig. 4

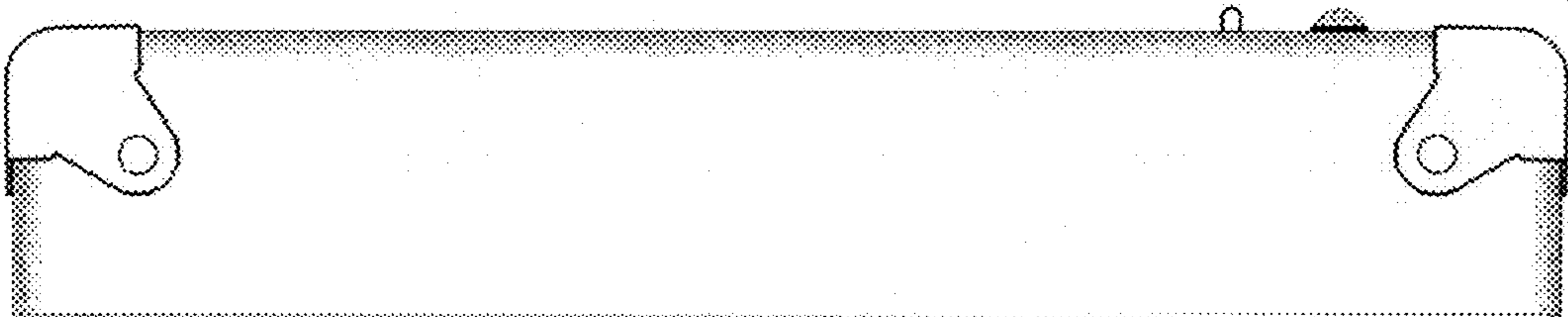


Fig. 5

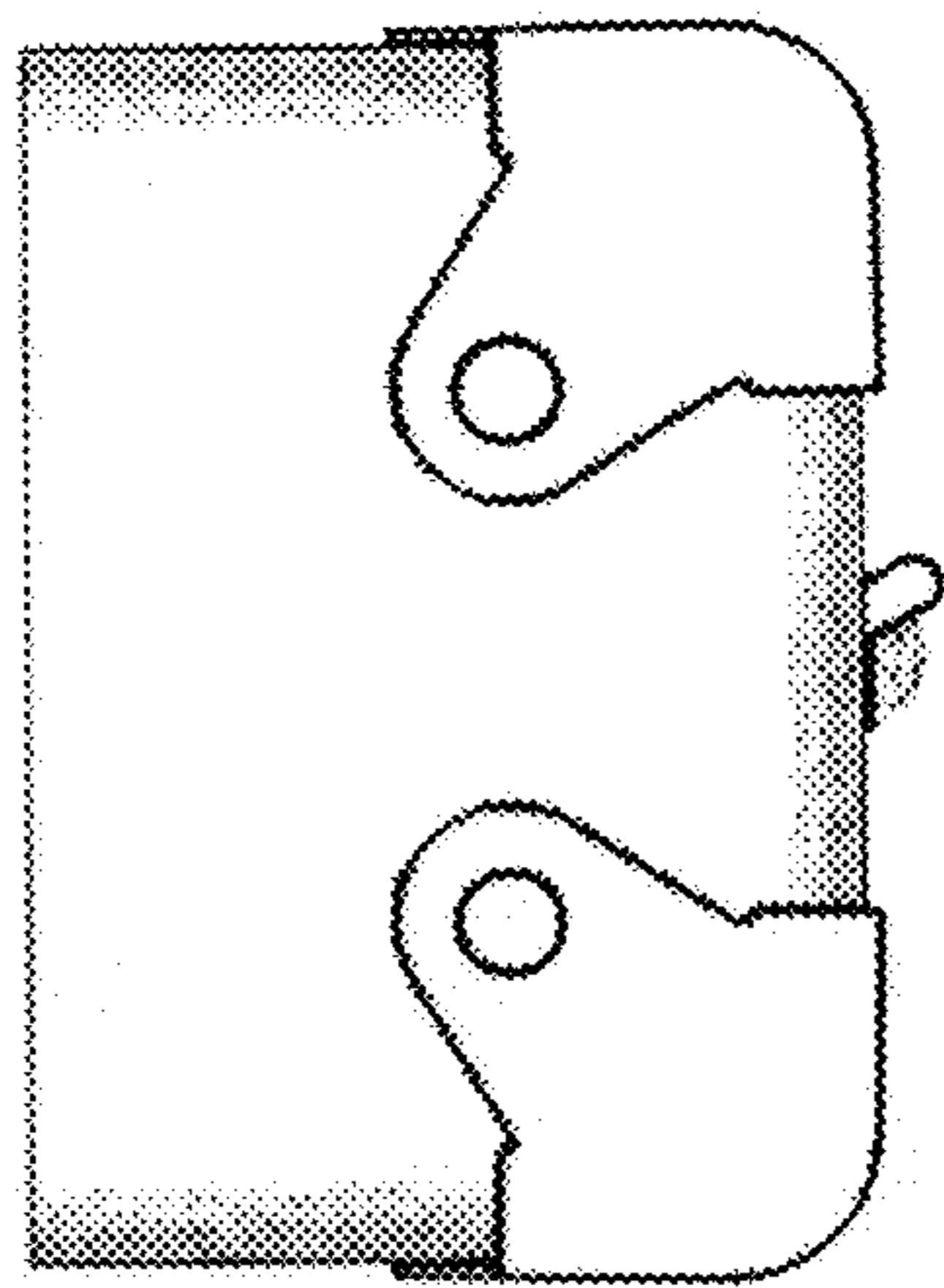


Fig. 6

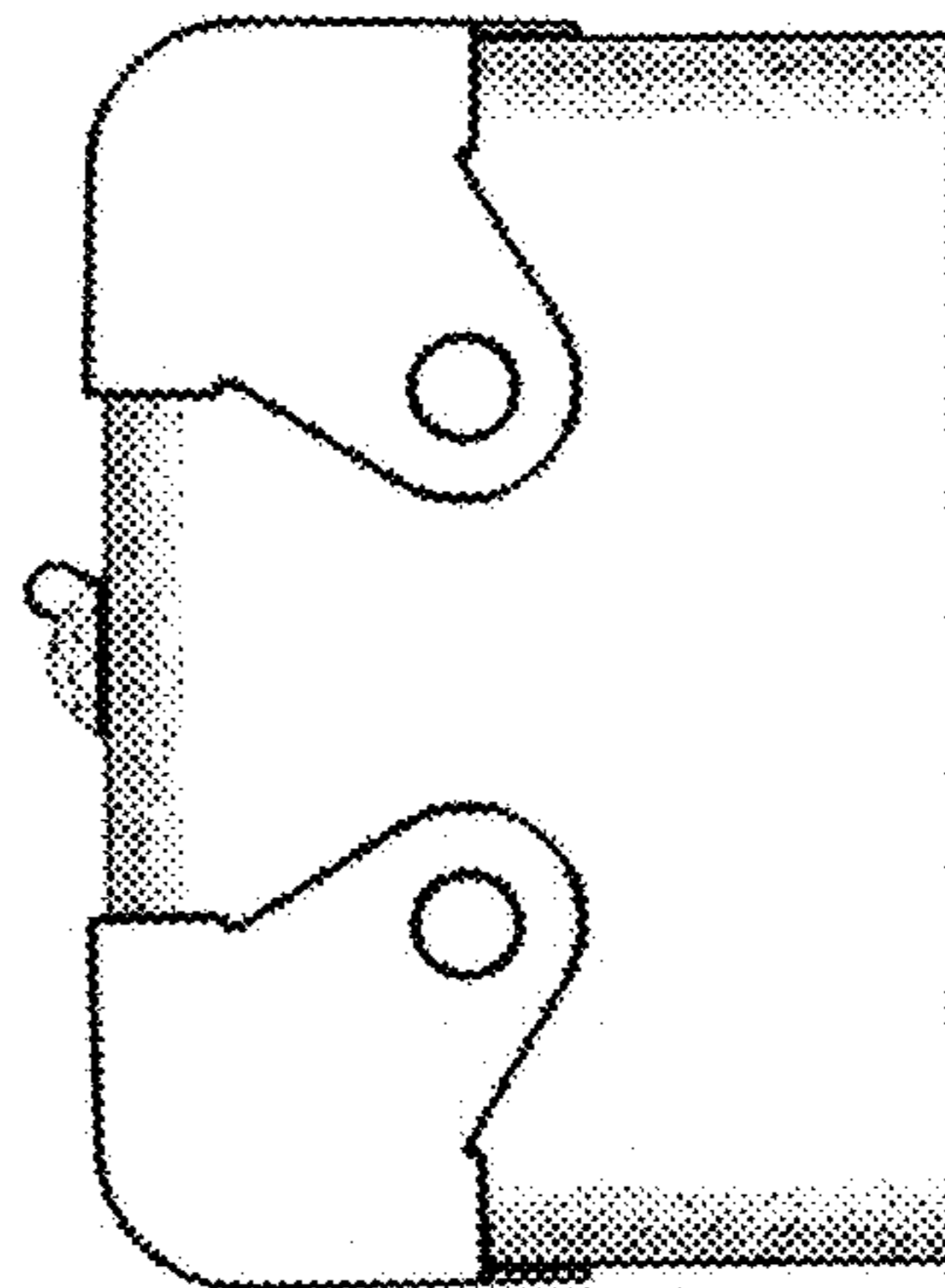


Fig. 7

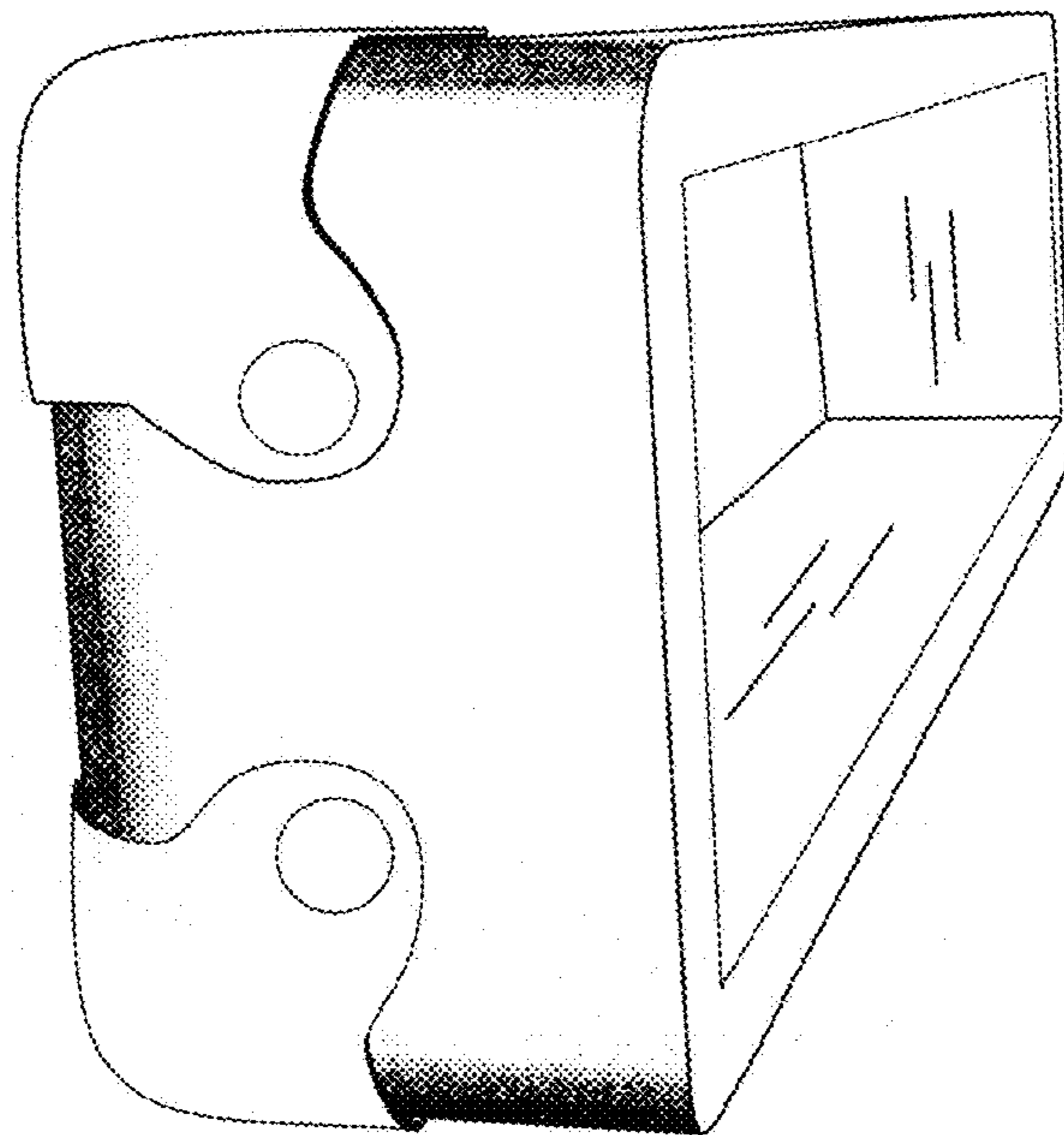


Fig. 8

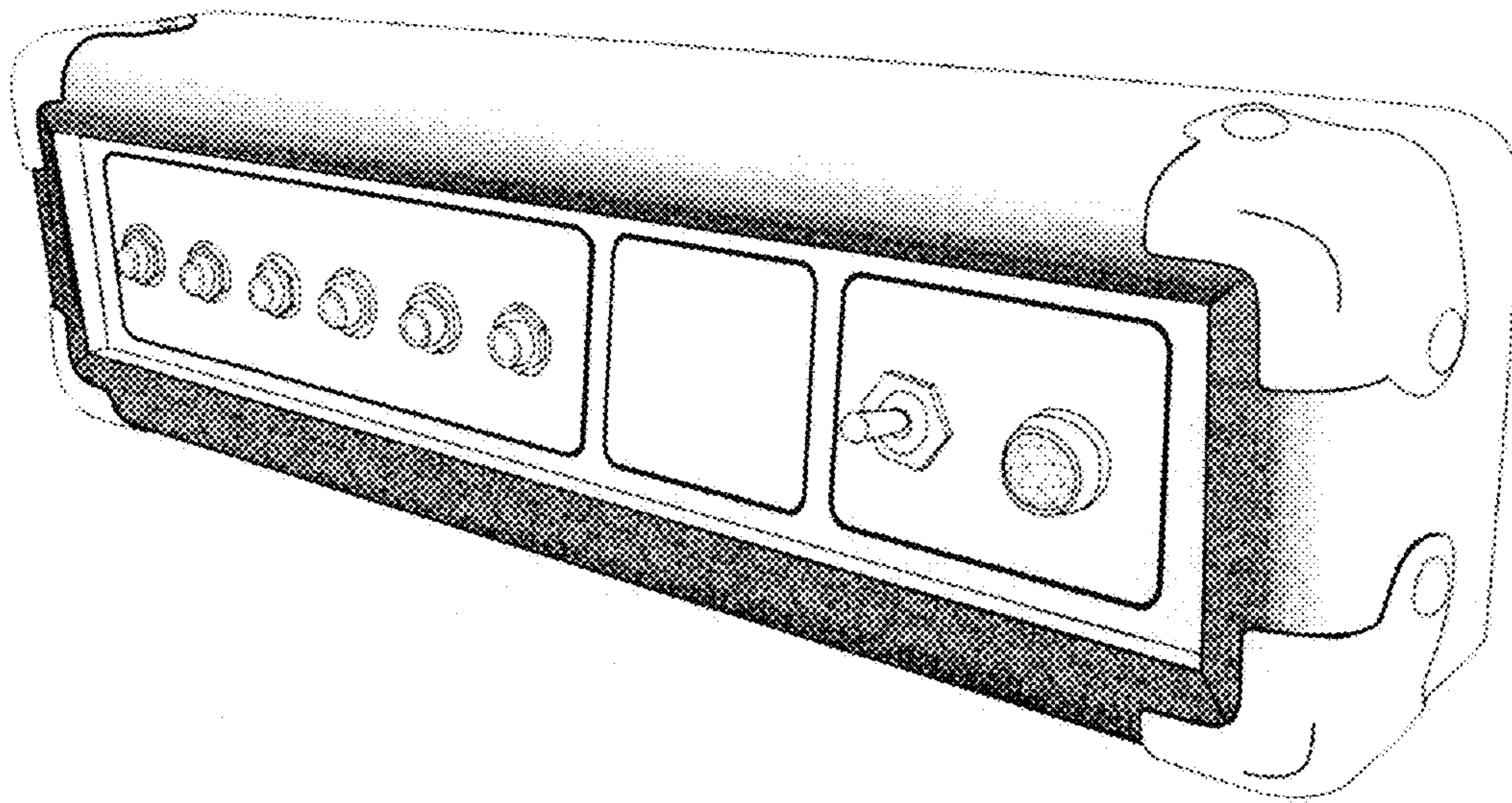


Fig. 9

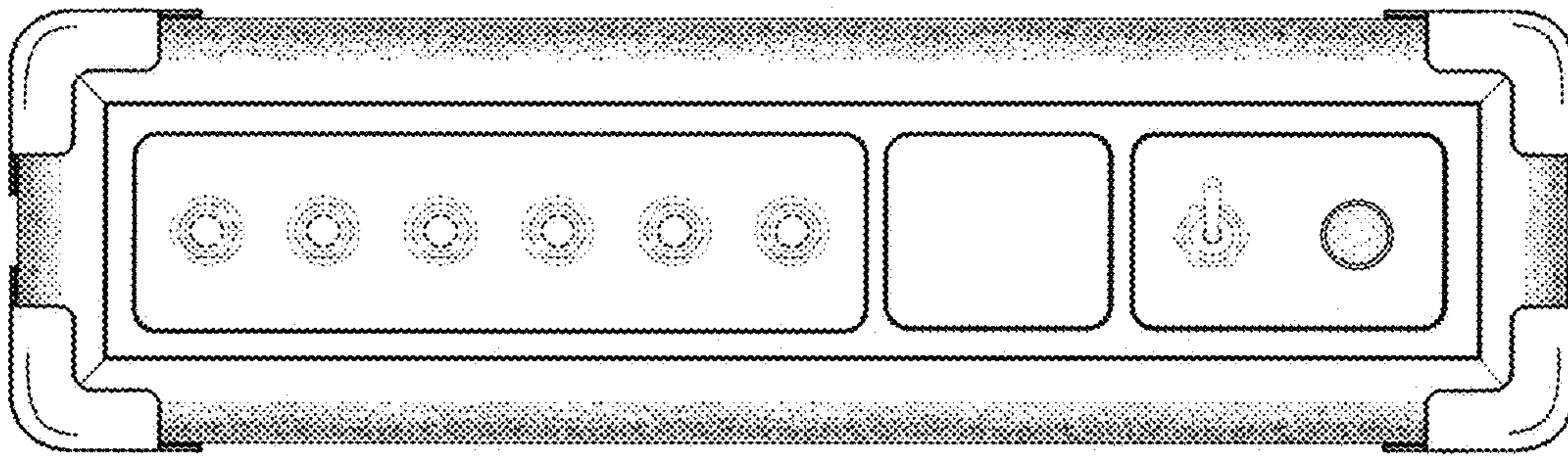


Fig. 10

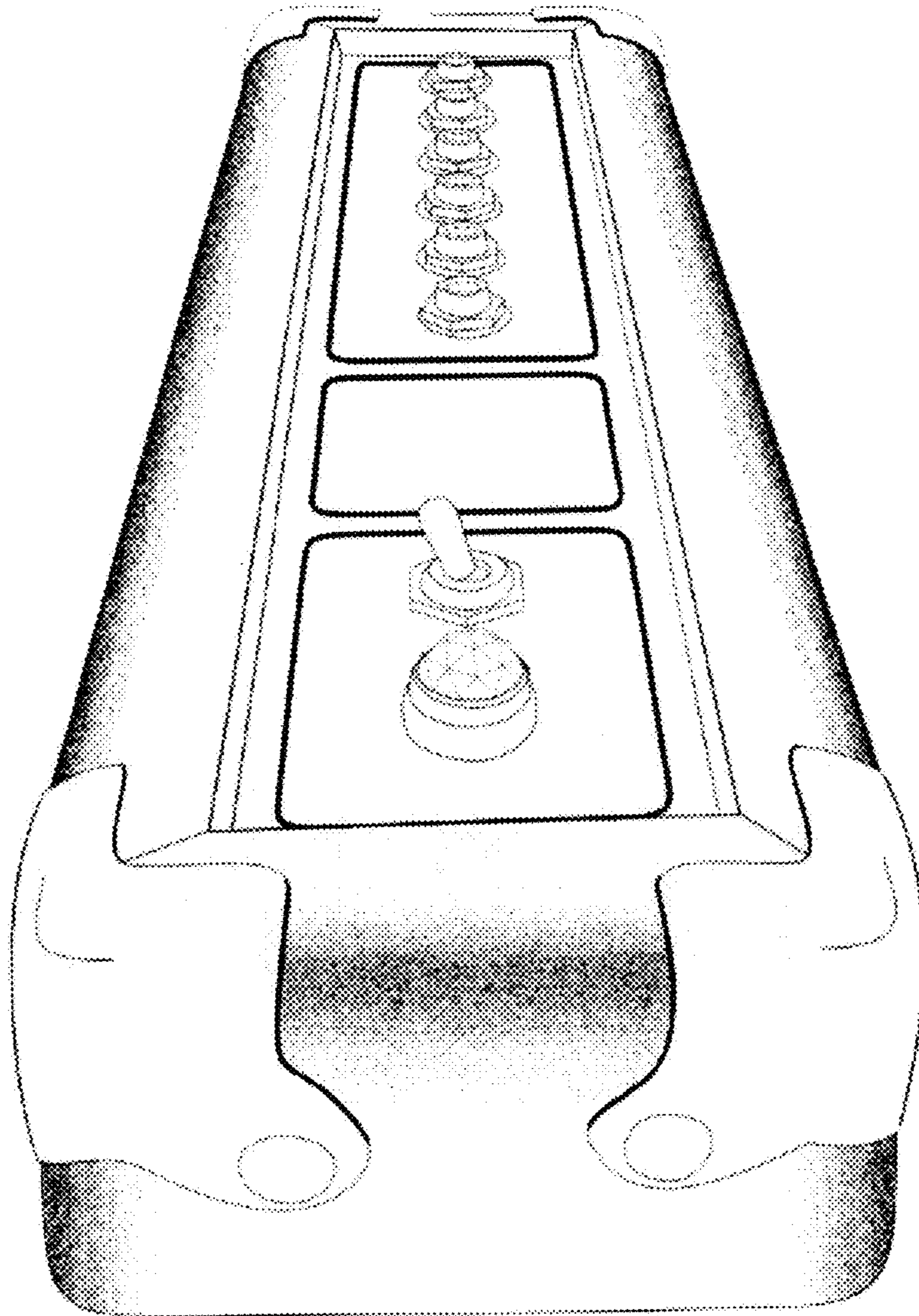


Fig. 11

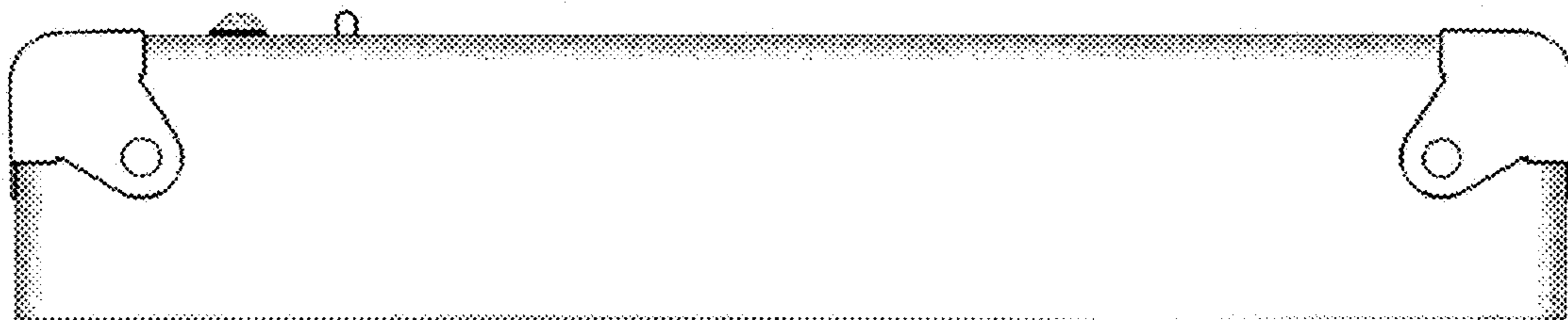


Fig. 12

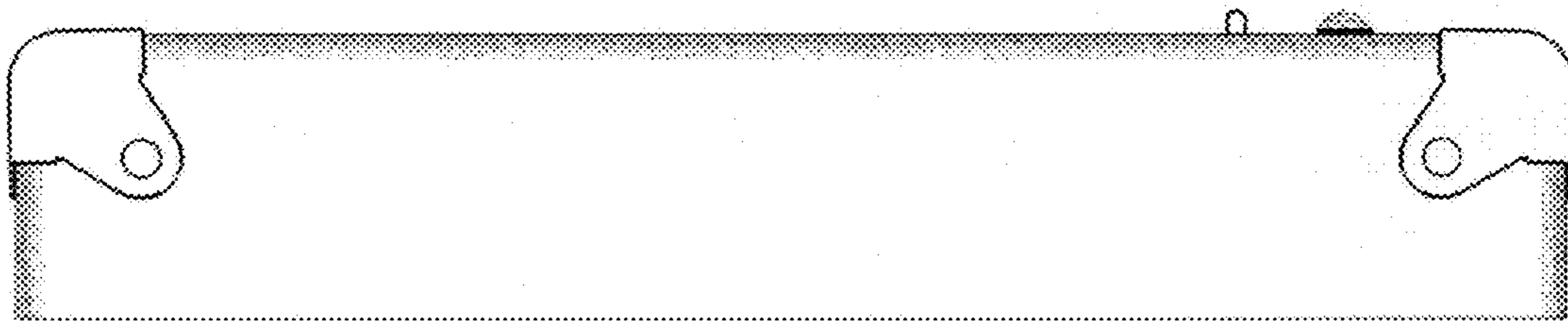


Fig. 13

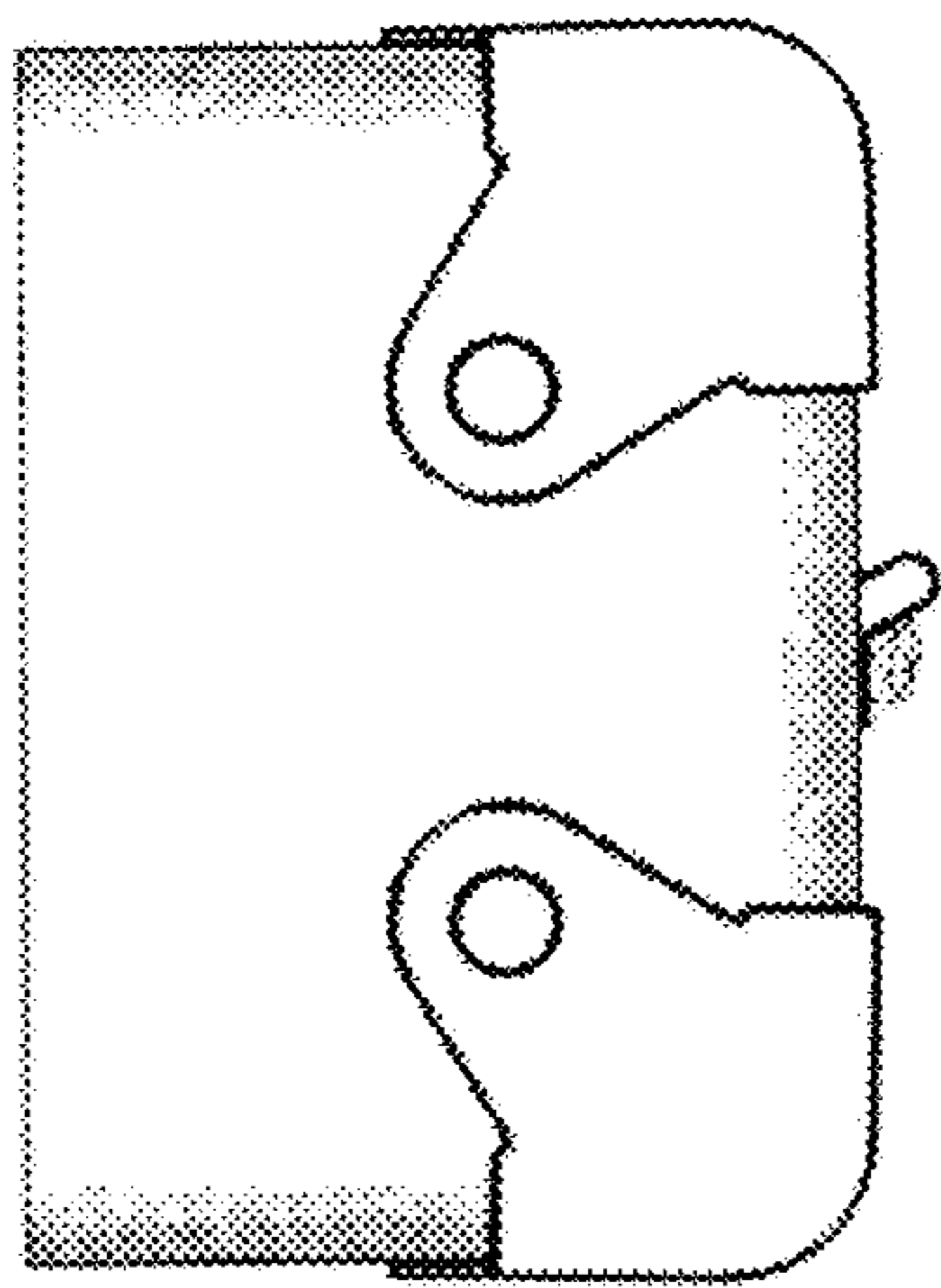


Fig. 14

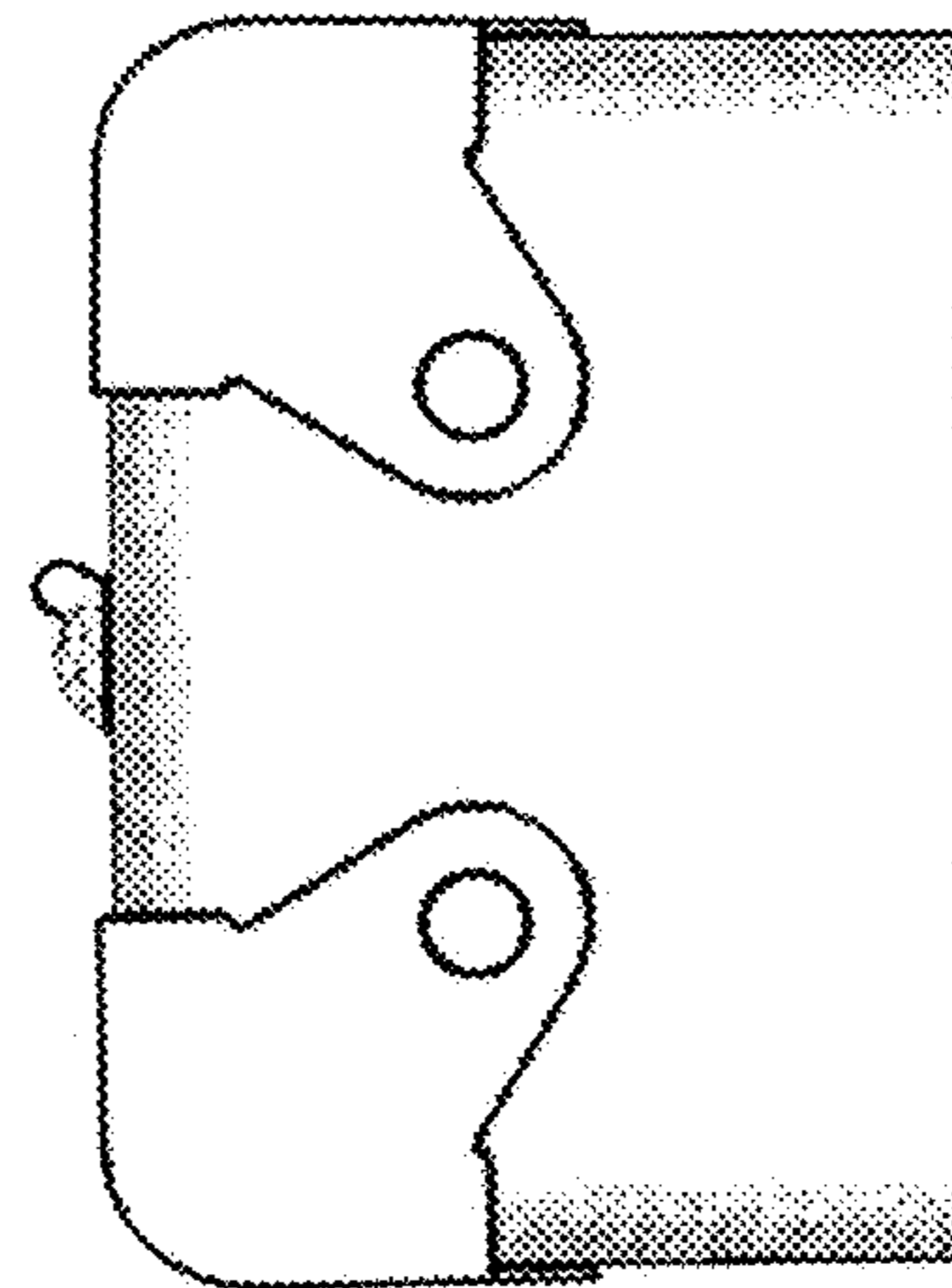


Fig. 15

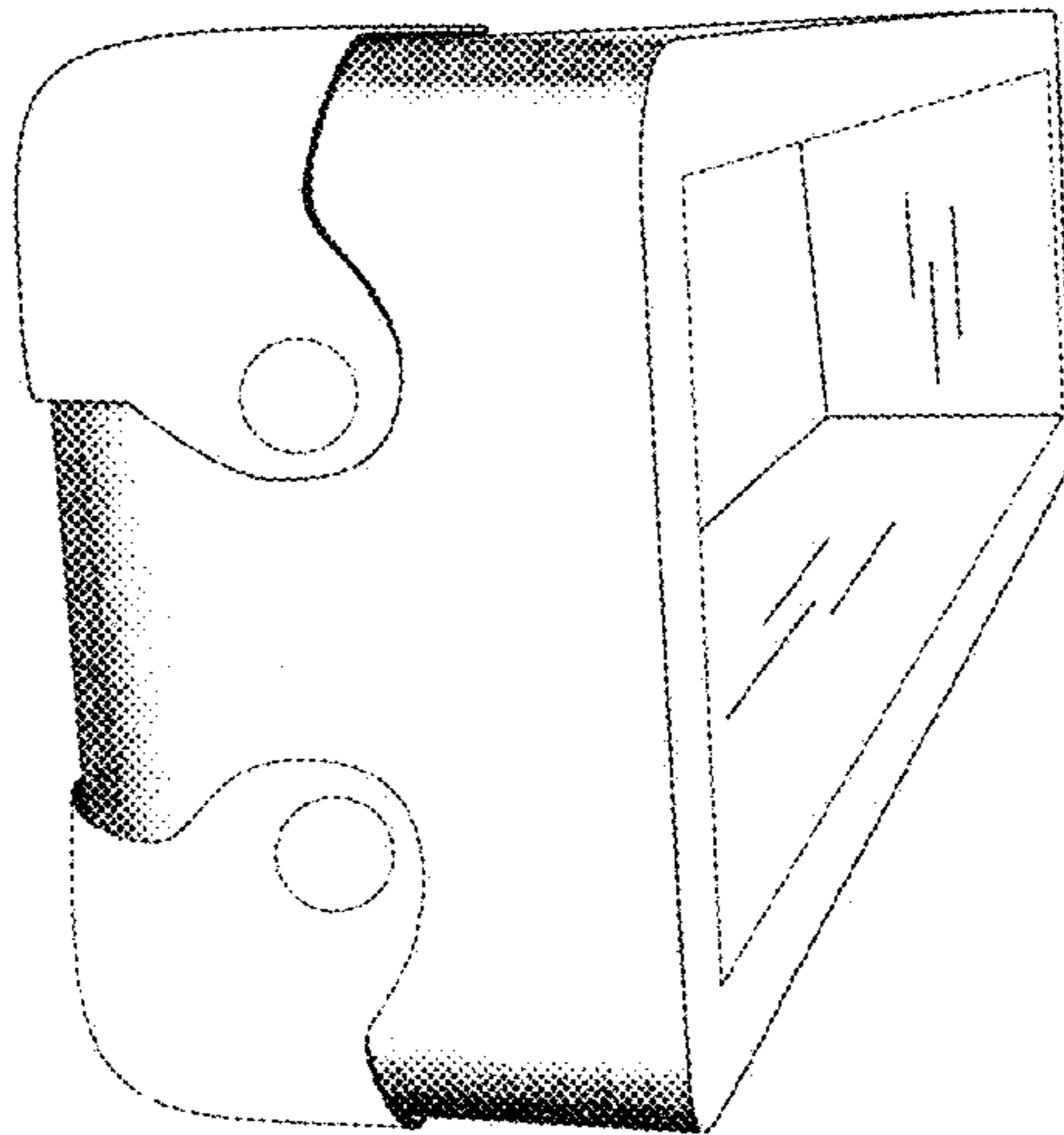


Fig. 16