



US00D789705S

(12) **United States Design Patent** (10) **Patent No.:** **US D789,705 S**
Becattini, Jr. et al. (45) **Date of Patent:** **** Jun. 20, 2017**

(54) **PET WASTE BAG DISPENSER**
(71) Applicant: **Towerstar Pets, LLC**, Malvern, PA (US)
(72) Inventors: **Fernando Becattini, Jr.**, Malvern, PA (US); **Fernando Becattini, Sr.**, Devon, PA (US); **Jacquelyn N. Becattini**, Malvern, PA (US); **Steve A. Copeland**, Barrie (CA); **Mitchell Thompson**, Barrie (CA)
(73) Assignee: **Towerstar Pets, LLC**, Malvern, PA (US)
(**) Term: **15 Years**

6,085,695 A 7/2000 Miller et al.
6,240,881 B1 6/2001 Edwards et al.
6,427,839 B1 8/2002 Helfer-Grand
6,439,386 B1 8/2002 Sauer et al.
6,588,375 B2 7/2003 Benedettini
7,188,858 B2 3/2007 Hartenstine
7,195,677 B2 3/2007 Morrissey-Hawkins
D576,433 S * 9/2008 Che D30/153
7,530,471 B2 5/2009 Cohen et al.
7,726,513 B2 6/2010 Schlaupitz et al.
7,931,170 B2 4/2011 Che
D642,838 S * 8/2011 Gehring D6/518
8,002,115 B2 8/2011 Rappaport et al.
8,061,305 B2 11/2011 Sugalski
8,066,118 B1 11/2011 Van Tassell
8,113,381 B2 2/2012 Che
D664,425 S * 7/2012 Krupa D9/420
8,245,876 B2 8/2012 Gehring et al.

(Continued)

(21) Appl. No.: **29/564,785**
(22) Filed: **May 16, 2016**
(51) **LOC (10) Cl.** **30-99**
(52) **U.S. Cl.**
USPC **D6/518**; D6/515
(58) **Field of Classification Search**
USPC D6/515, 518; D3/226, 235;
D9/730-734, 414, 420, 423, 426, 428,
D9/451, 454
CPC A01K 23/00; E01H 1/1206; E01H 2001/126;
E01H 2001/1273; E01H 2001/128; E01H
2001/1286
See application file for complete search history.

Primary Examiner — Wan Laymon
Assistant Examiner — Mark Booker
(74) *Attorney, Agent, or Firm* — Sand & Sebolt

(57) **CLAIM**

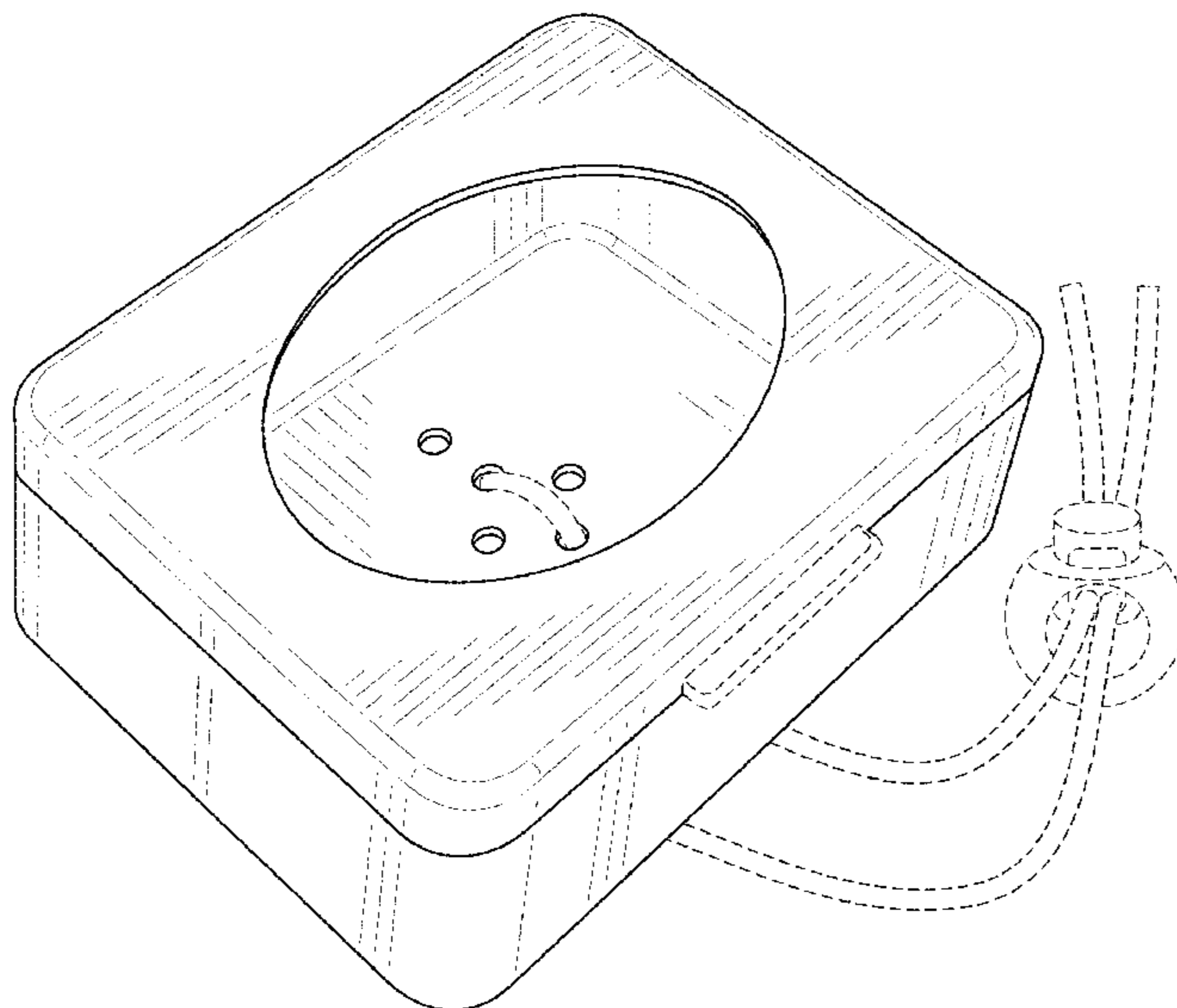
The ornamental design for a pet waste bag dispenser, as shown and described.

DESCRIPTION

FIG. 1 is a top perspective view of a pet waste bag dispenser in accordance with our design;
FIG. 2 is a bottom perspective view thereof;
FIG. 3 is a front elevation view thereof;
FIG. 4 is a rear elevation view thereof;
FIG. 5 is a top plan view thereof;
FIG. 6 is a bottom plan view thereof;
FIG. 7 is a left side elevation view thereof; and,
FIG. 8 is a right side elevation view thereof.
The broken lines illustrate the environment in which the pet waste bag dispenser is used and form no part of the claimed design.

(56) **References Cited**
U.S. PATENT DOCUMENTS
D262,422 S 12/1981 Ortiz et al.
4,978,095 A 12/1990 Phillips
5,441,017 A 8/1995 Lindsay
5,447,227 A 9/1995 Kosberg
5,560,321 A 10/1996 Hess
5,692,639 A 12/1997 Lahaussais et al.
6,076,717 A 6/2000 Edwards

1 Claim, 5 Drawing Sheets



(56)

References Cited

U.S. PATENT DOCUMENTS

8,573,160	B1	11/2013	Knight	
8,602,257	B2	12/2013	Godsell	
8,720,384	B2	5/2014	Gee	
8,752,729	B2	6/2014	Maccario	
D718,553	S *	12/2014	Gnanendran D6/518
8,998,279	B2	4/2015	Lloyd et al.	
9,004,555	B1	4/2015	Chirico	
9,198,545	B2	12/2015	D'Angelo	
9,220,379	B2	12/2015	Winestock	
9,491,932	B1 *	11/2016	Becattini, Jr. A01K 27/008
2006/0054107	A1	3/2006	Baker	
2006/0231043	A1	10/2006	Galdo	
2007/0267531	A1	11/2007	Petersen	
2012/0286003	A1	11/2012	Shadday et al.	

* cited by examiner

FIG. 1

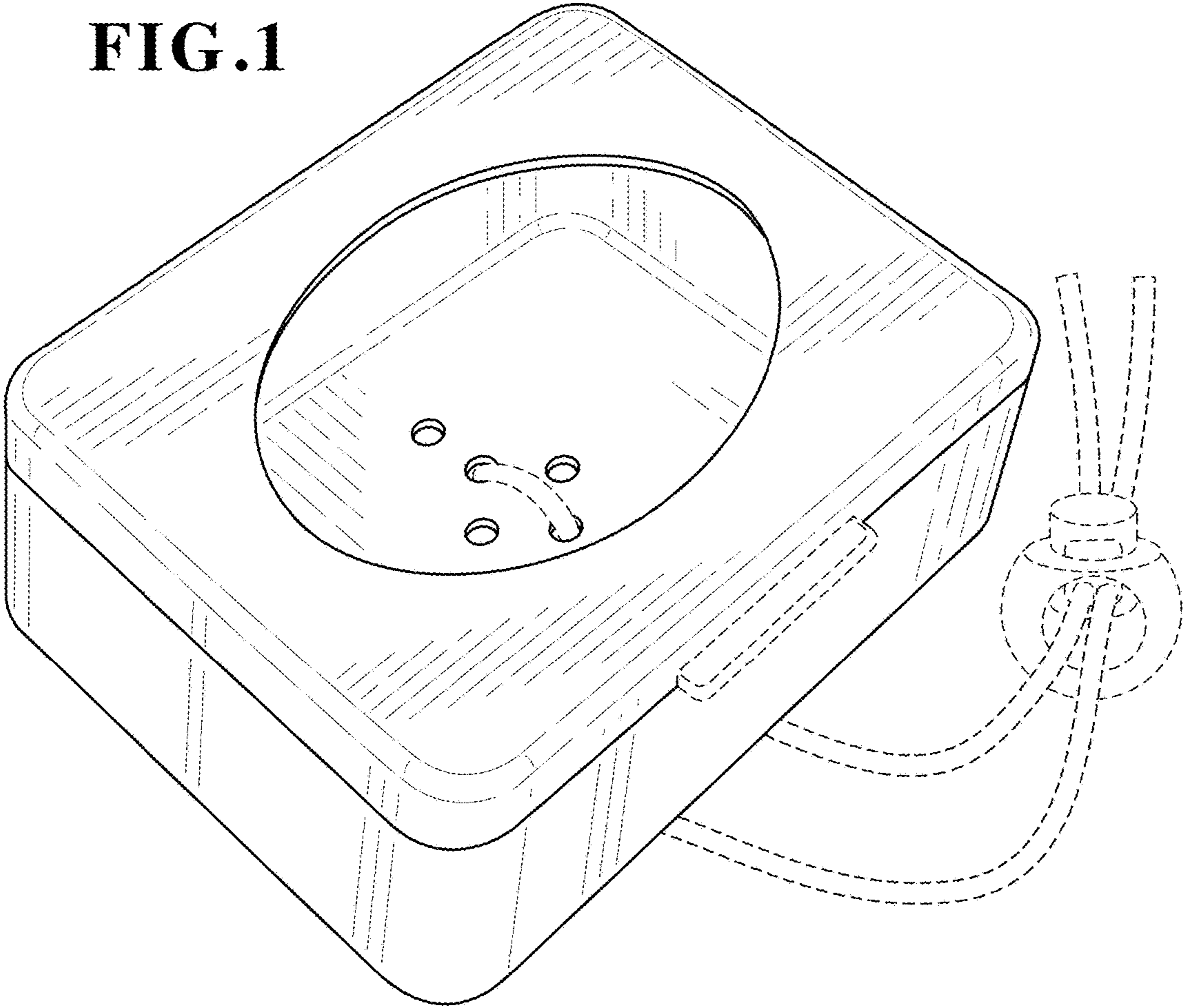
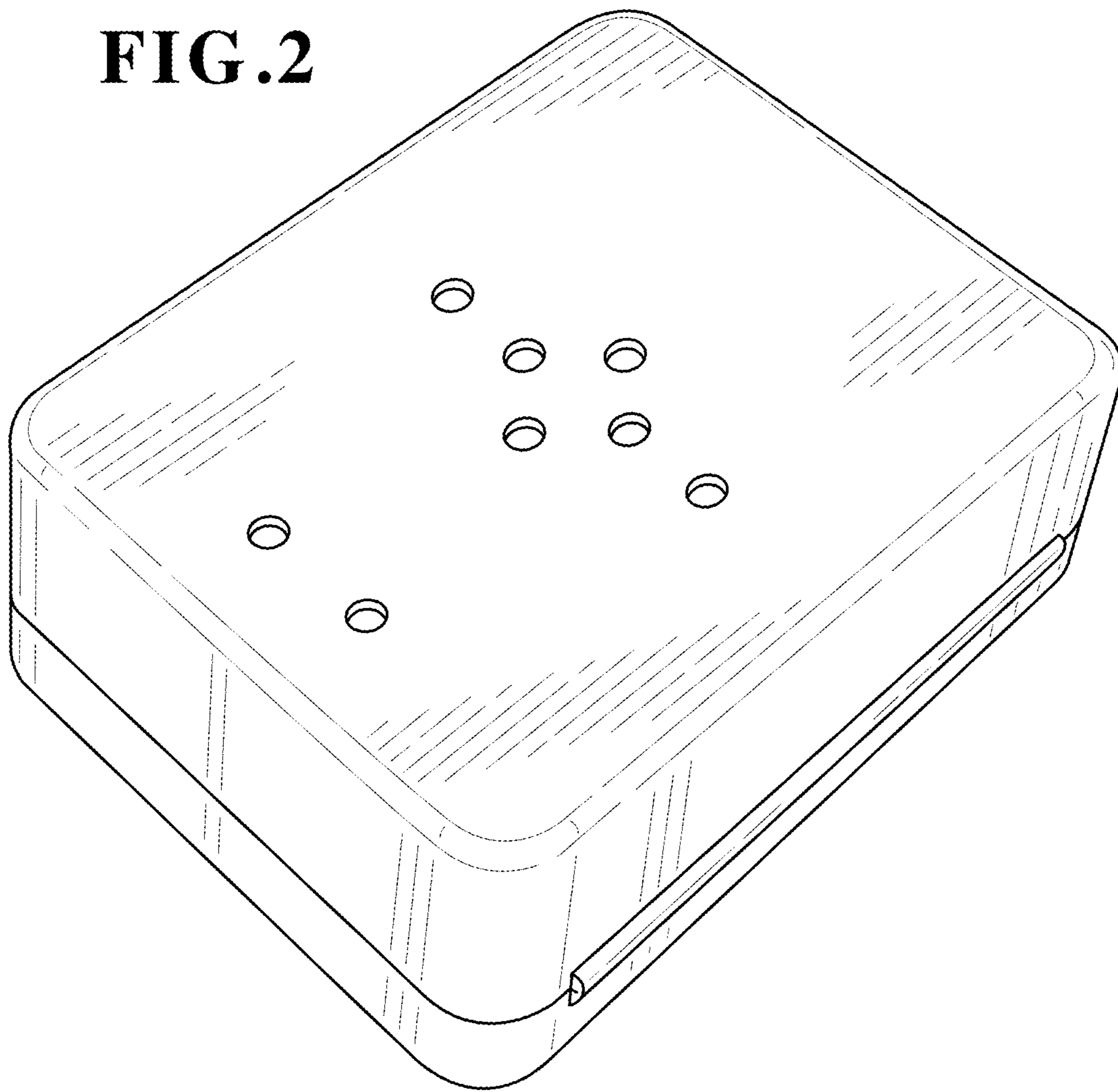


FIG. 2



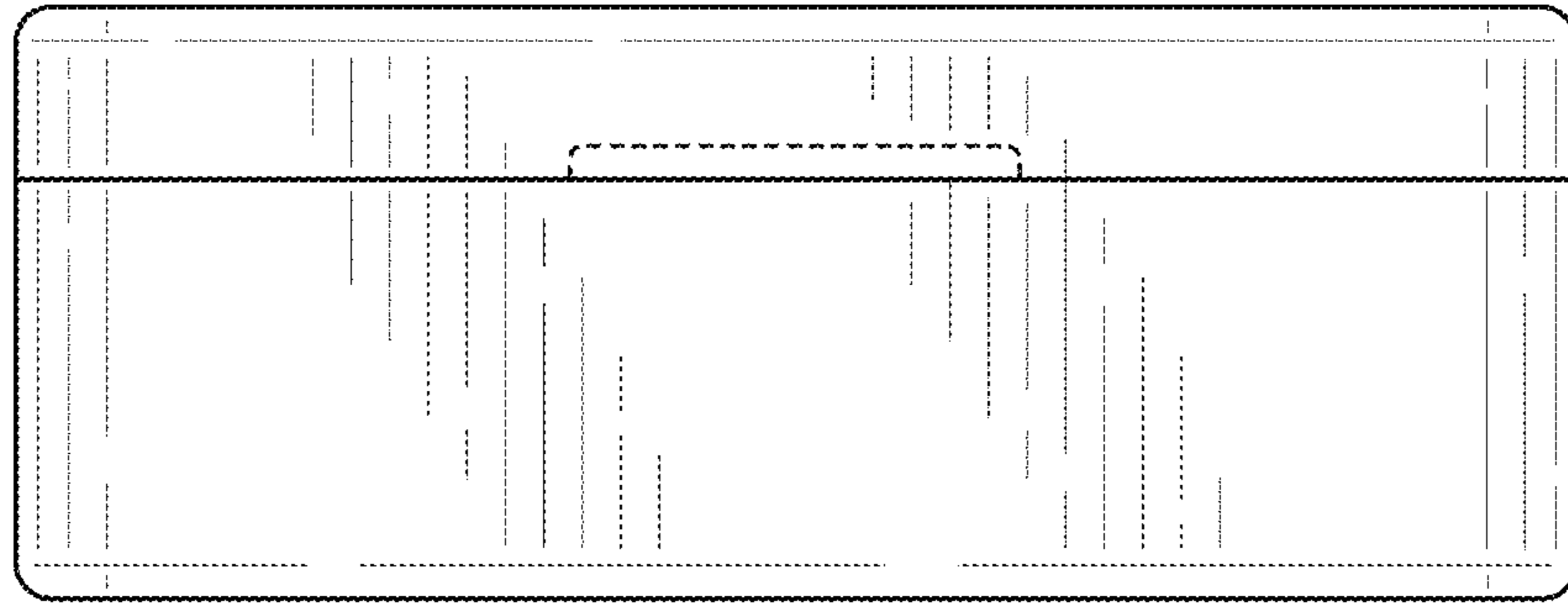


FIG. 3

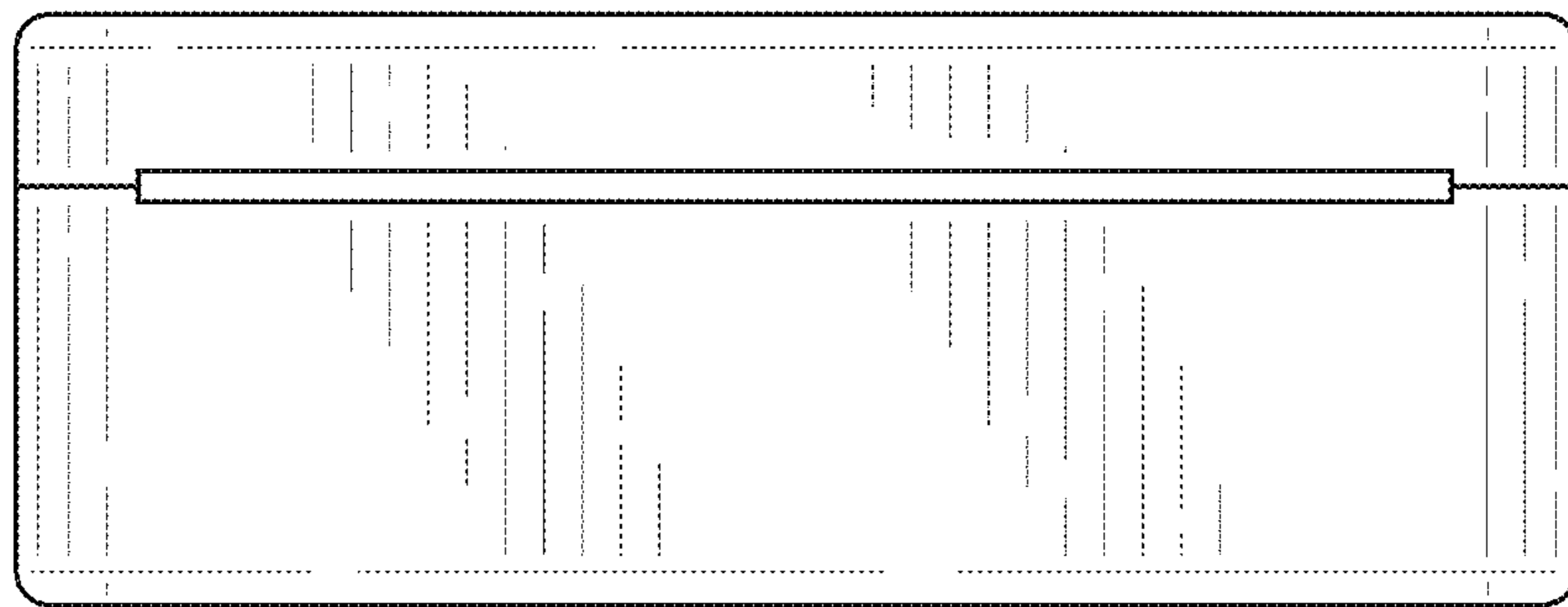


FIG. 4

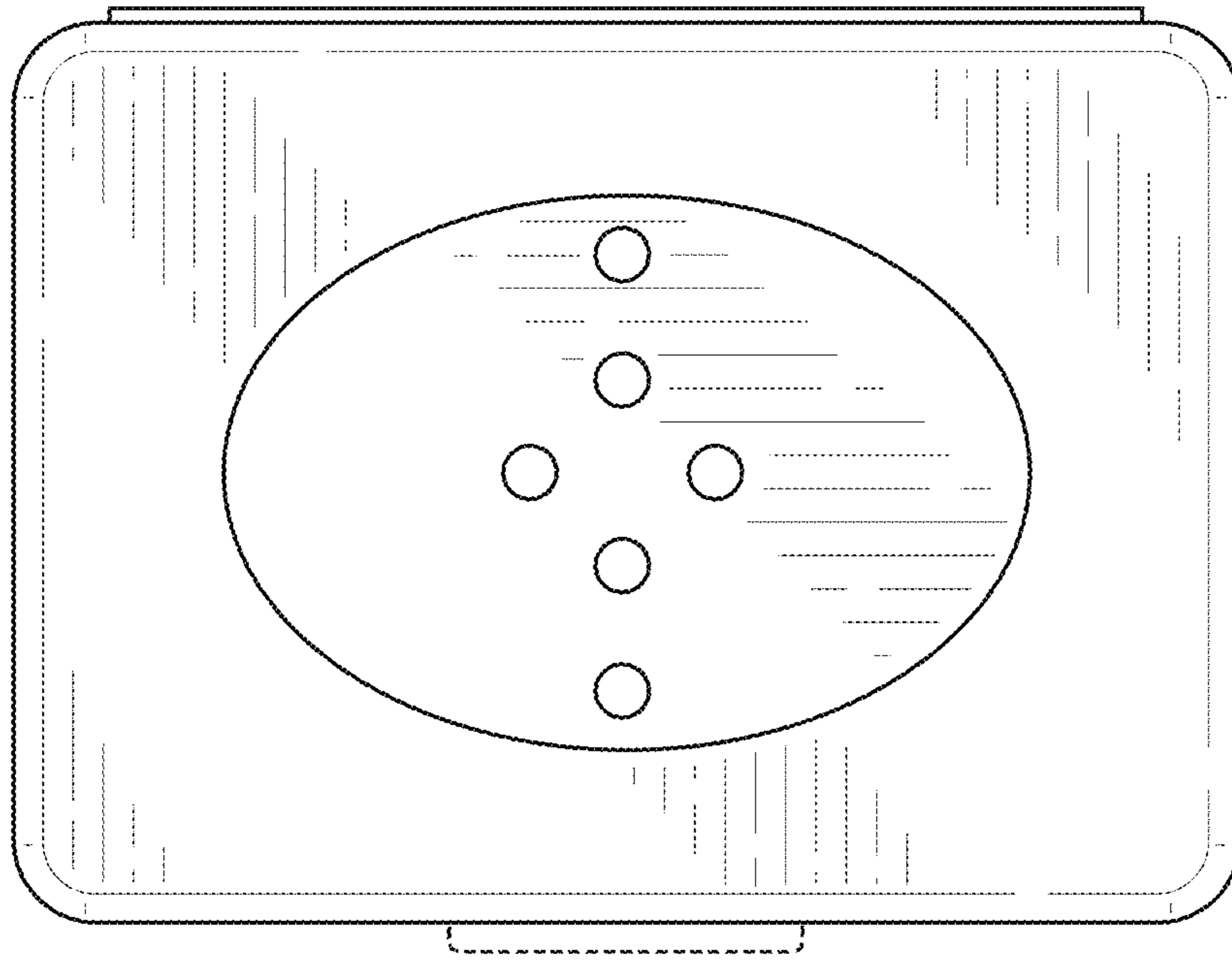


FIG. 5

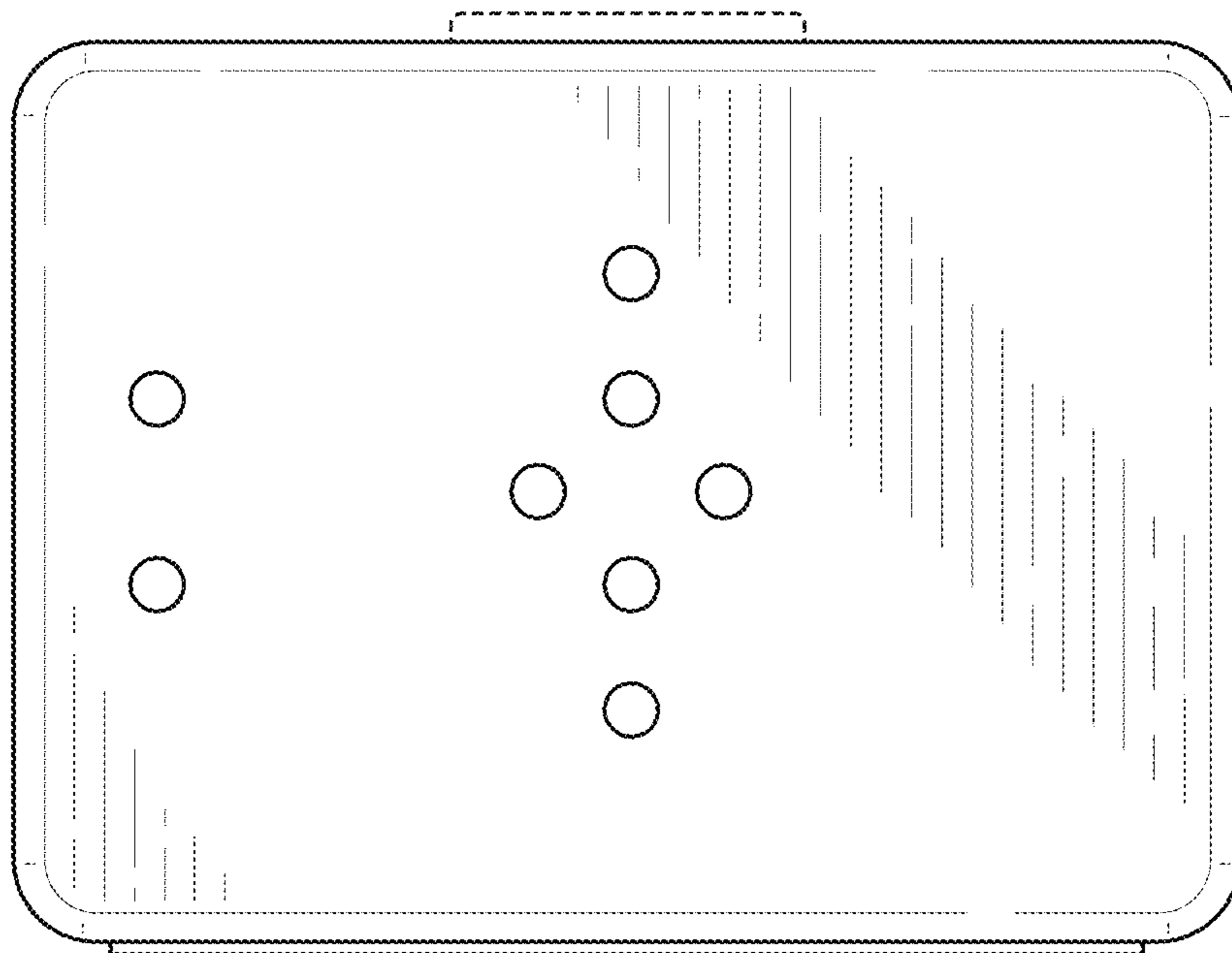


FIG. 6

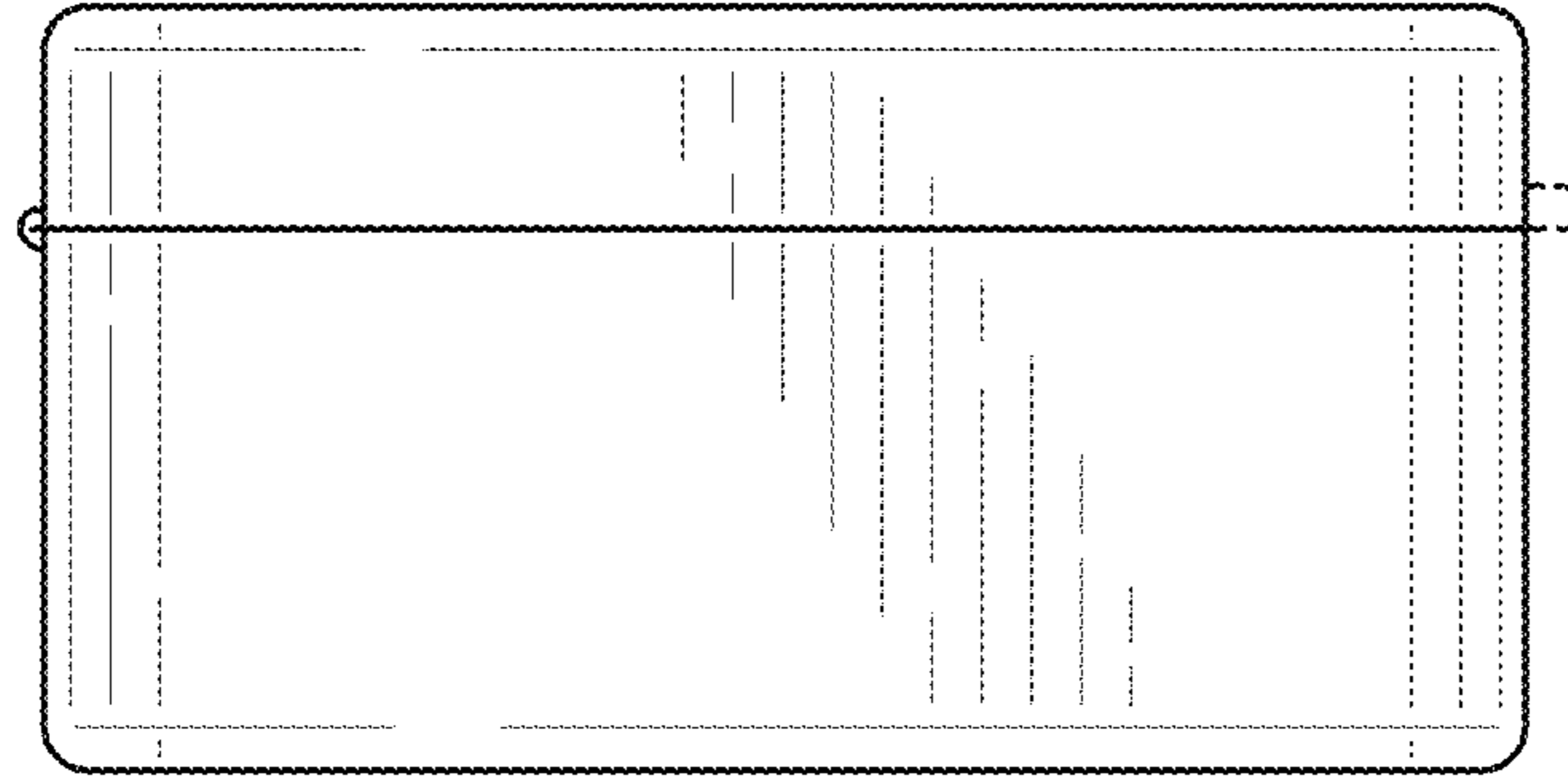


FIG. 7

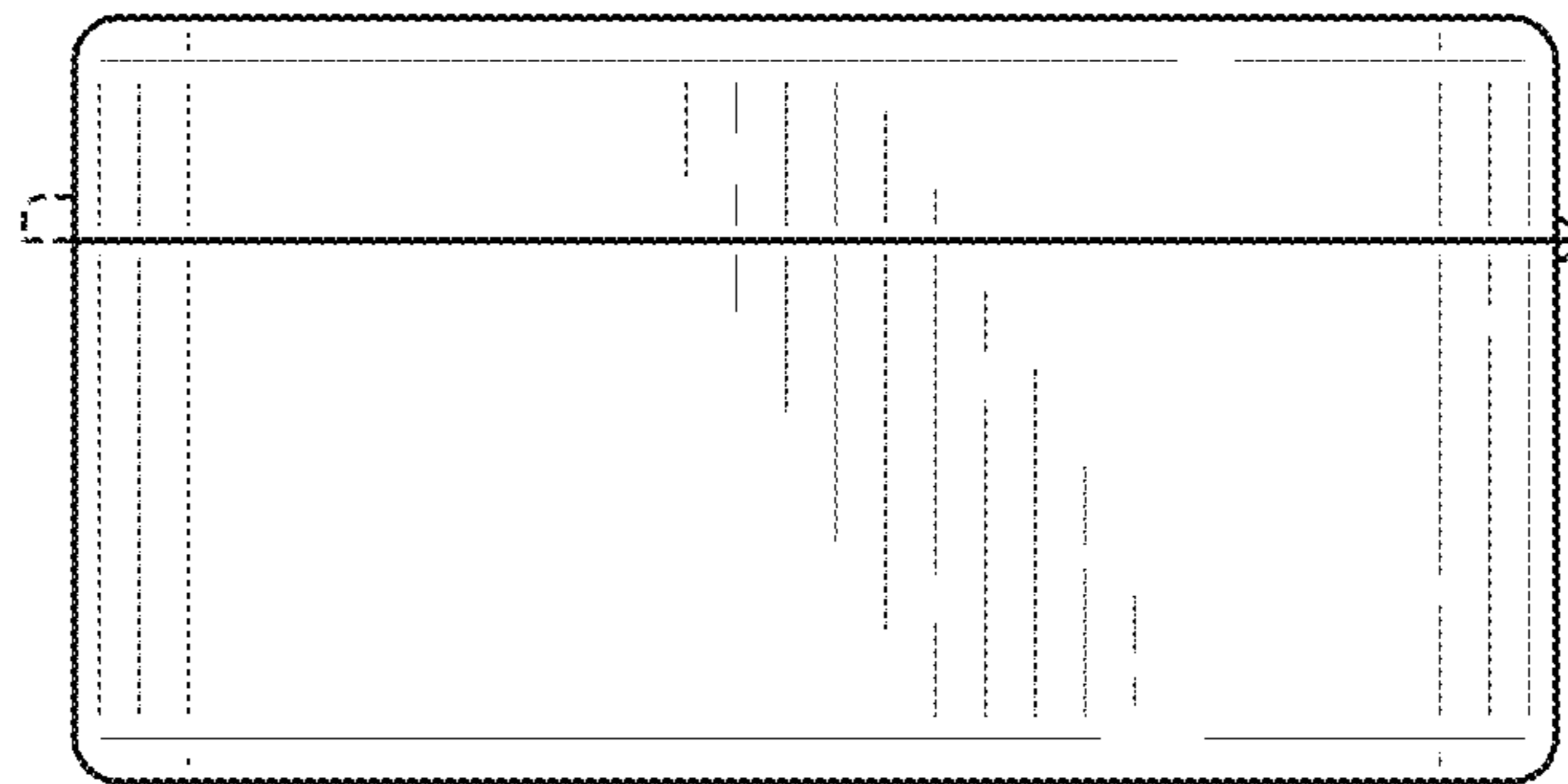


FIG. 8