



US00D789704S

(12) **United States Design Patent** (10) **Patent No.:** **US D789,704 S**
Morrison et al. (45) **Date of Patent:** **** Jun. 20, 2017**

(54) **COMBINATION HAND SANITIZER AND ADVERTISING DISPLAY**

D670,114 S * 11/2012 Morrison D6/515
D767,916 S * 10/2016 Morrison D6/515

(71) Applicant: **Terraboost Media, LLC**, Miami Beach, FL (US)

* cited by examiner

(72) Inventors: **Brian Morrison**, Miami, FL (US); **Myles Christensen**, Orem, UT (US)

Primary Examiner — Wan Laymon

Assistant Examiner — Mark Booker

(73) Assignee: **Terraboost Media, LLC**, Miami Beach, FL (US)

(74) *Attorney, Agent, or Firm* — Lee & Hayes, PLLC

(**) Term: **15 Years**

(57) **CLAIM**

(21) Appl. No.: **29/551,672**

The ornamental design for a combination hand sanitizer and advertising display, as shown and described.

(22) Filed: **Jan. 15, 2016**

(51) **LOC (10) Cl.** **20-02**

(52) **U.S. Cl.**

USPC **D6/512**

(58) **Field of Classification Search**

USPC D6/512, 515, 516, 517, 518, 519, 520, D6/521, 522, 523

CPC A47L 13/38; B05B 11/3001; B05B 1/14; B05C 17/002; G09F 23/00; G09F 27/00; G09F 27/004; G09F 7/00

See application file for complete search history.

DESCRIPTION

FIG. 1 is a top perspective view of a combination hand sanitizer and advertising display showing our design; FIG. 2 is a bottom perspective view thereof; FIG. 3 is a front elevation view thereof; FIG. 4 is a rear elevation view thereof; FIG. 5. is a left side view thereof; FIG. 6. is a right side view thereof; FIG. 7. is a top plan view thereof; and, FIG. 8. is a bottom plan view thereof.

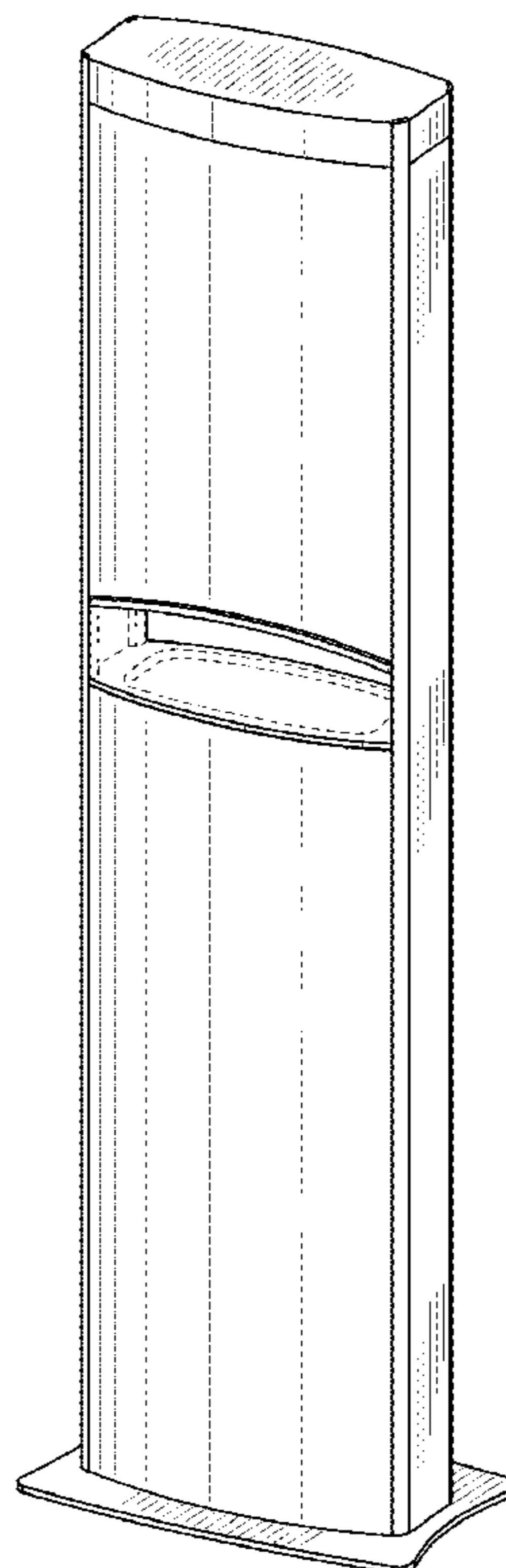
The broken lines shown in the figures represent portions of the combination hand sanitizer and advertising display that form no part of the claimed design.

(56) **References Cited**

U.S. PATENT DOCUMENTS

D604,973 S * 12/2009 Morrison D6/515
D655,959 S * 3/2012 Kluck D6/519

1 Claim, 5 Drawing Sheets



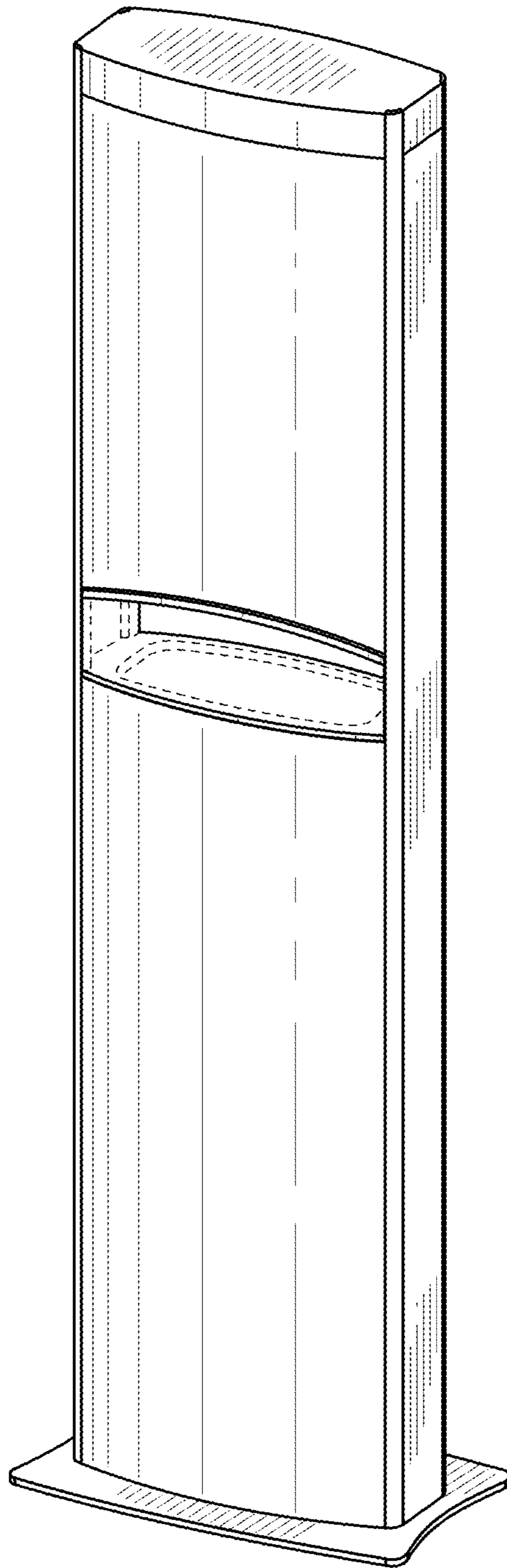


FIG. 1

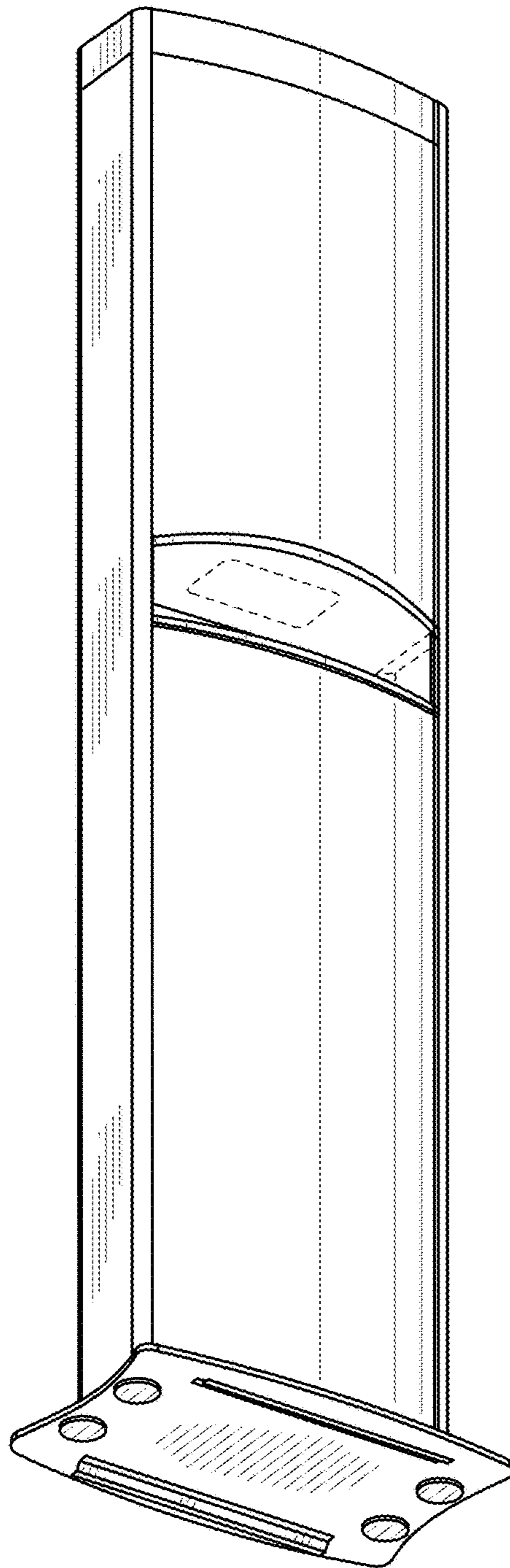


FIG. 2

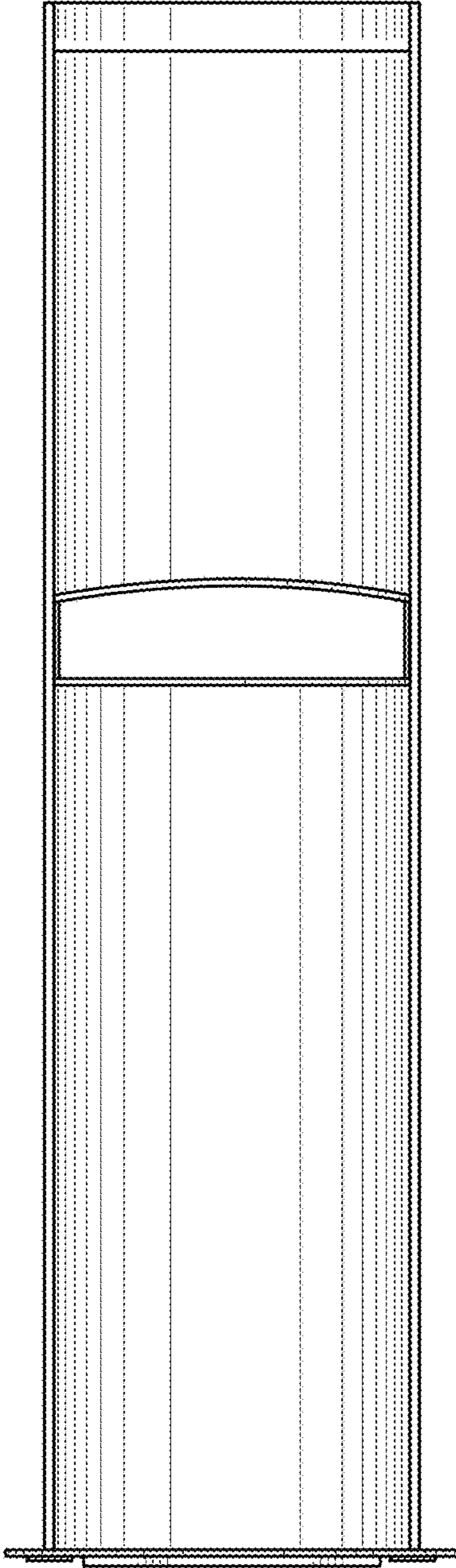


FIG. 3

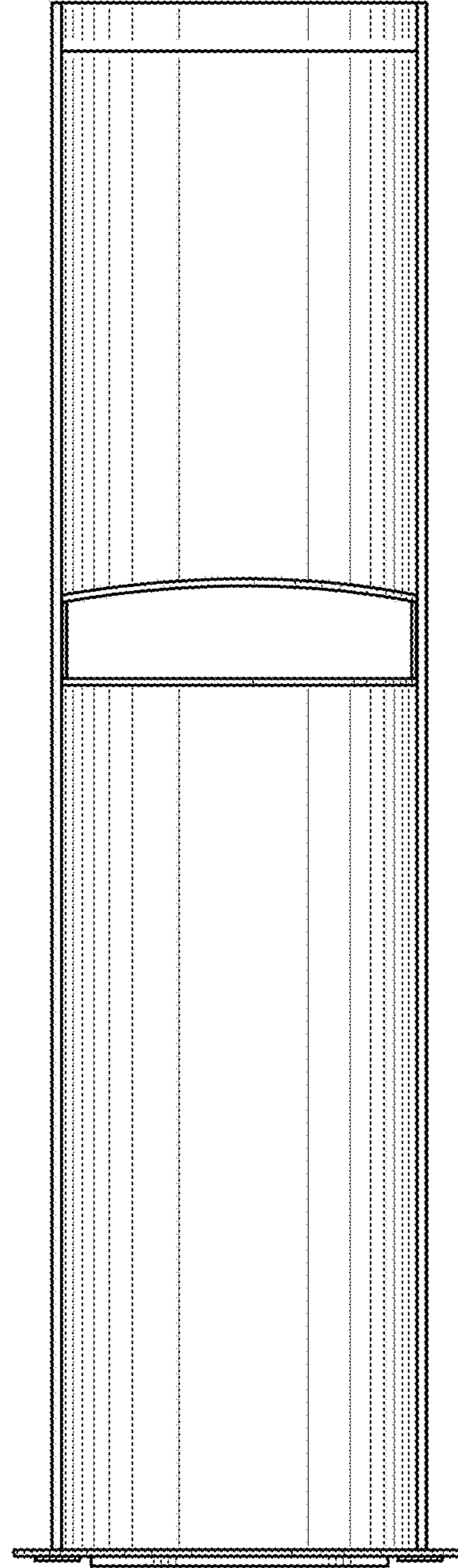


FIG. 4

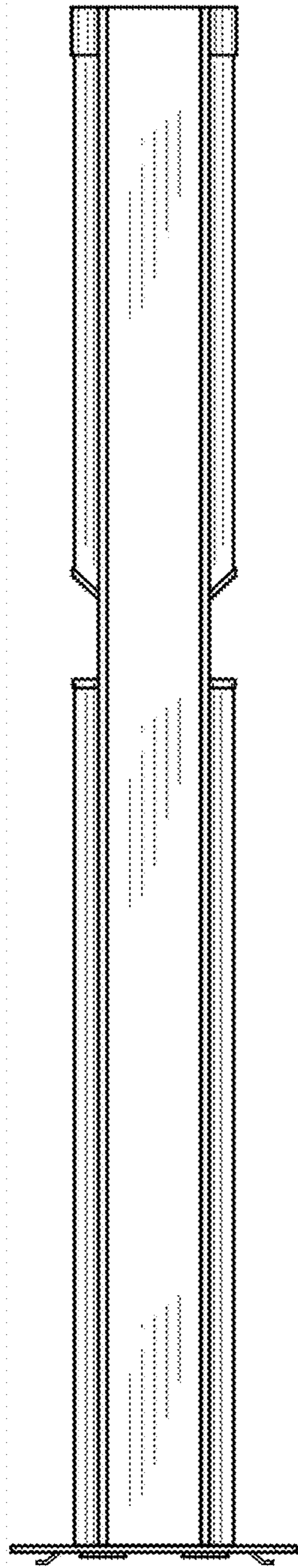


FIG. 5

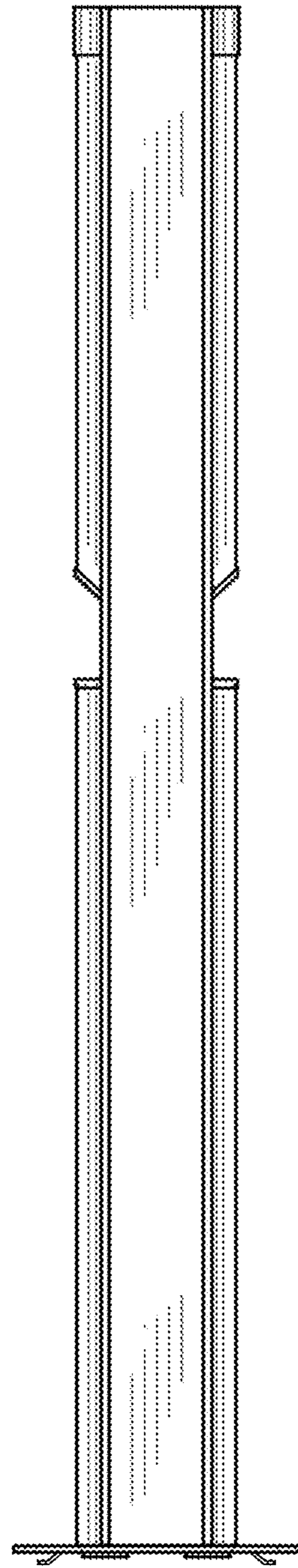


FIG. 6

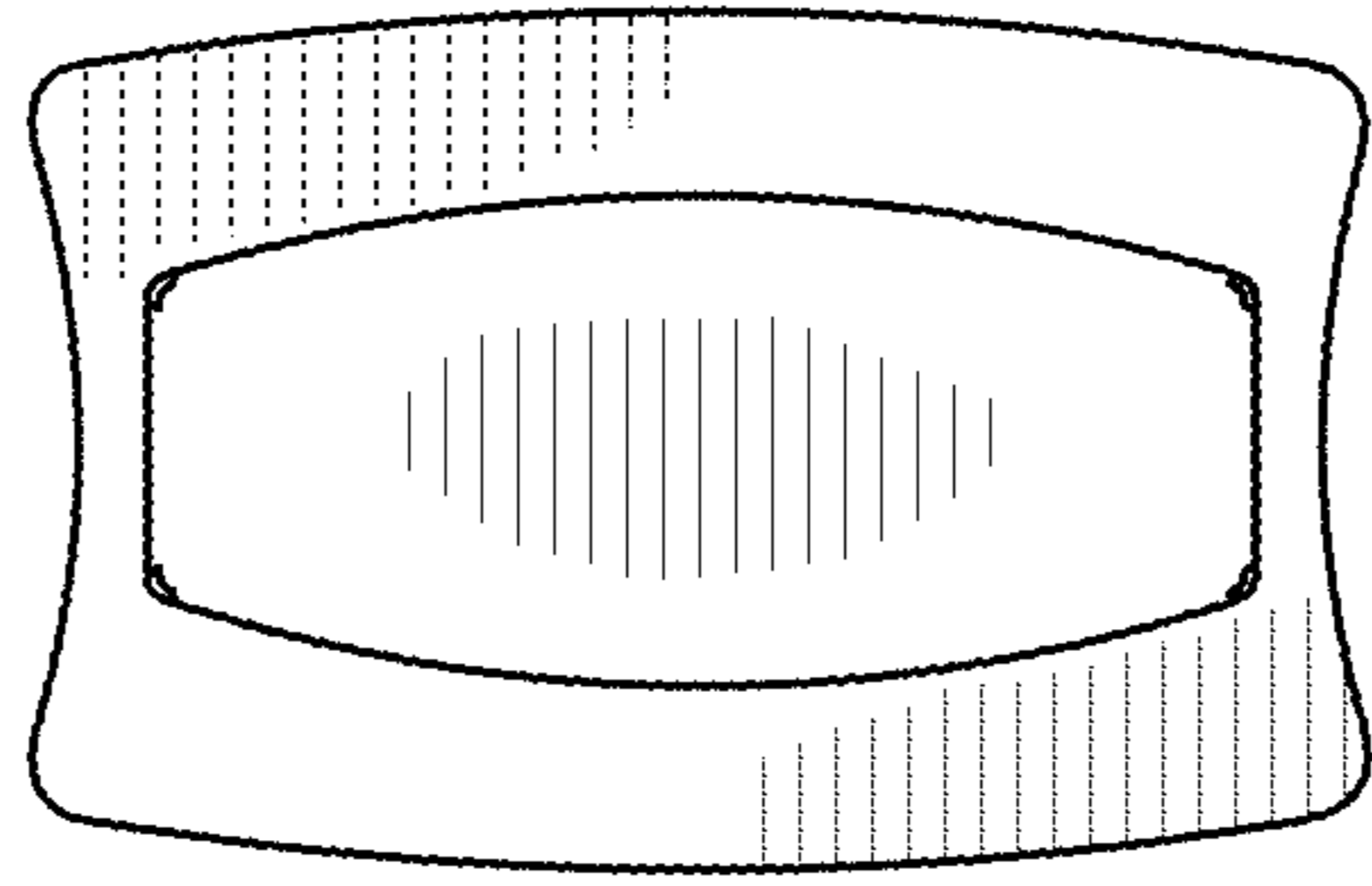


FIG. 7

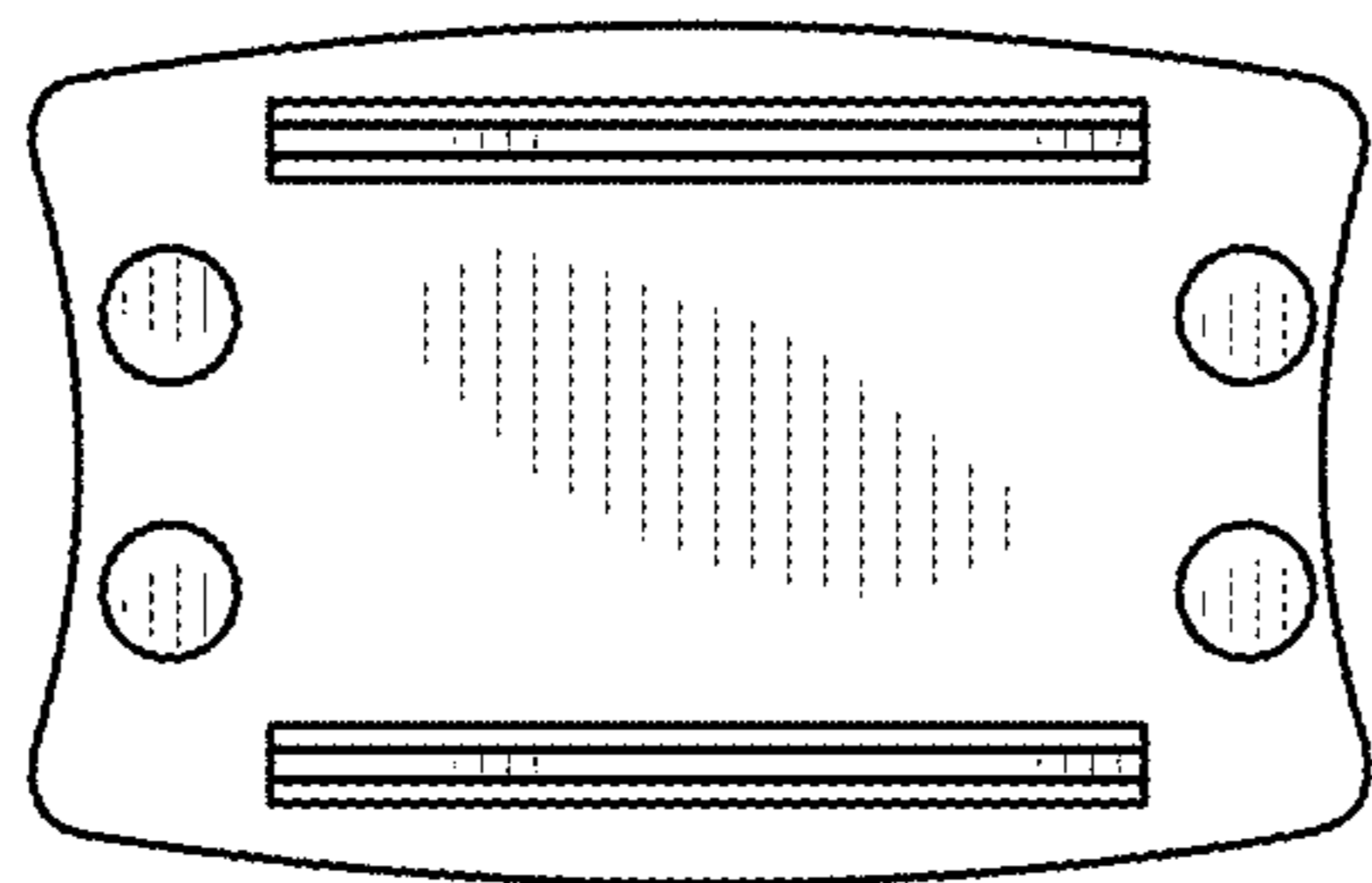


FIG. 8