



US00D789702S

(12) **United States Design Patent** (10) **Patent No.:** **US D789,702 S**
Everson et al. (45) **Date of Patent:** **** Jun. 20, 2017**

(54) **BED FRAME**

(71) Applicant: **Ashley Furniture Industries, Inc.**,
Arcadia, WI (US)
(72) Inventors: **Terry A. Everson**, Blair, WI (US);
Randy D. Domack, Holmen, WI (US);
Craig C. Bacon, Trempealeau, WI (US)
(73) Assignee: **ASHLEY FURNITURE**
INDUSTRIES, INC., Arcadia, WI (US)

(**) Term: **15 Years**

(21) Appl. No.: **29/551,712**

(22) Filed: **Jan. 15, 2016**

(51) **LOC (10) Cl.** **06-02**

(52) **U.S. Cl.**
USPC **D6/393**

(58) **Field of Classification Search**
USPC D6/382-386, 389, 392-394, 718.2,
D6/718.24, 718.22, 718.13
CPC A47C 17/00; A47C 19/00; A47C 19/02;
A47C 19/022; A47D 7/00; A47D 7/01;
A47D 11/005

See application file for complete search history.

(56) **References Cited**

U.S. PATENT DOCUMENTS

D399,082 S	*	10/1998	Zaidman	D6/718.24
D431,388 S	*	10/2000	Zorzetto	D6/393
D439,453 S	*	3/2001	Camfferman	D6/395
D466,716 S	*	12/2002	Tobin, Jr.	D6/393
D516,339 S	*	3/2006	Mohundro	D6/393
D542,050 S	*	5/2007	Domack	D6/393
D717,065 S	*	11/2014	James	D6/393

OTHER PUBLICATIONS

“17 Majestic Looking Sleigh Bed Designs”, Austin Elite Home Design Blog, site visited Feb. 6, 2017, available online: <URL:http://www.myaustinelite.com/sleigh-bed-designs/7254/>.*
“17 Majestic Looking Sleigh Bed Designs”, Austin Elite Home Design Blog, shows date of Mar. 1, 2015, site visited Feb. 6, 2017, available online: <URL:http://www.myaustinelite.com/sleigh-bed-designs/7254/>.*
Pine Sleigh Bed, LodgeCraft.com, © 2015, site visited Feb. 7, 2017, available online: <URL: http://www.lodgecraft.com/101psl.html>.*
Knob Creek Sleigh Bed, CrowleyFurniture.com, © 2013, site visited Feb. 6, 2017, available online: <URL:http://www.crowleyfurniture.com/bedroom/masterbedroom/bedroomsets/knobbcrekrusticsleighbedroomset814sleighset/>.*

(Continued)

Primary Examiner — Cathron Brooks

(74) *Attorney, Agent, or Firm* — McAndrews, Held & Malloy, Ltd.

(57) **CLAIM**

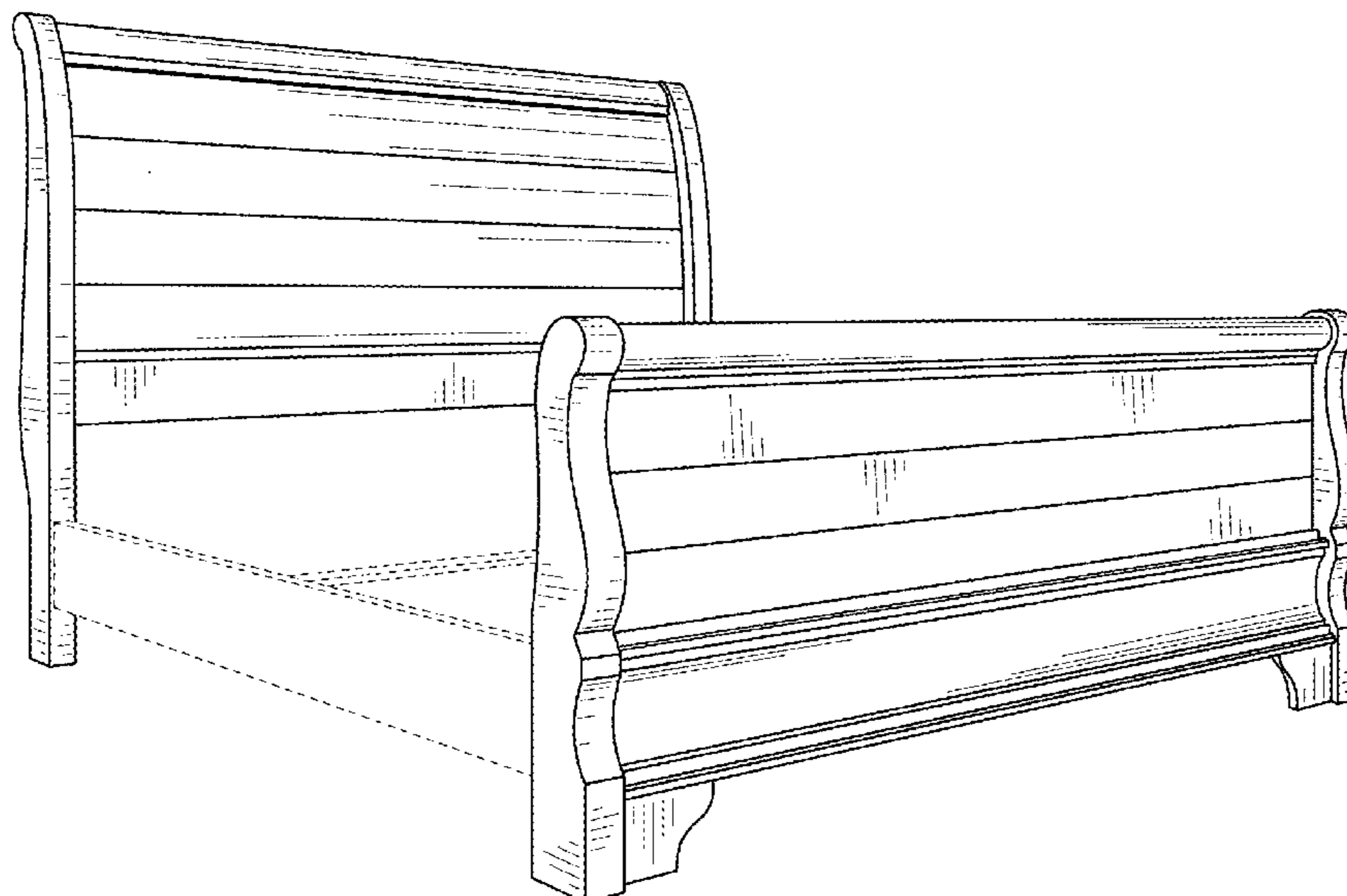
The ornamental design for a bed frame, as shown and described.

DESCRIPTION

FIG. 1 is a front perspective view of a bed frame showing our new design;
FIG. 2 is a front elevation view of just the headboard portion of the bed frame;
FIG. 3 is a front elevation view of just the footboard portion of the bed frame;
FIG. 4 is a right side elevation view of the bed frame; the left side elevation view being a mirror image thereof; and,
FIG. 5 is a top plan view thereof. In FIGS. 2 and 3, the headboard and footboard are shown separately for clarity of disclosure.

The broken lines in the figures illustrate portions of the bed frame that form no part of the claimed design. Views of the bed frame not shown in the figures form no part of the claimed design.

1 Claim, 4 Drawing Sheets



(56)

References Cited

OTHER PUBLICATIONS

Kincaid Homecoming Sleigh Bed, Bedroomfurniturediscounts.com, Jan. 14, 2015, site visited Feb. 6, 2017, available online: <URL: <http://web.archive.org/web/20150114034130/http://www.bedroomfurniturediscounts.com/kincaidhomecomingqueensleighbedinvintagepine33150p.html#>>.*

Honey Creek Sleigh Bed, Conlin's Furniture, Nov. 22, 2010, site visited Feb. 7, 2017, available online: <URL: <http://web.archive.org/web/20101122061257/http://conlins.com/Item.aspx?ItemID=161151268&ItemNum=1133311A%2b321A%2b331A>>.*

Grandpa's Cabin Sleigh Bed, Liberty Furniture, customer review of May 24, 2013, site visited Feb. 7, 2017, available online: <URL: http://www.homecinemacenter.com/Grandpa_s_Cabin_6PC_Set_Aged_Oak_LIB_176_BR_p/lib176br.htm>.*

Sleigh Bed, DCG Stores, Nov. 17, 2014, site visited Feb. 6, 2017, available online: <URL: <http://web.archive.org/web/20141117154613/http://www.dcgstores.com/fullsleighbedbeadboardpanelscocoachf.html>>.*

Sleigh Bed, Artfactory.com, site visited Feb. 7, 2017, available online: <URL: <http://www.artfactory.com/lighting-c-300.html?zenid=53c1d7e2b6c182acbde21df1df87d39d>>.*

* cited by examiner

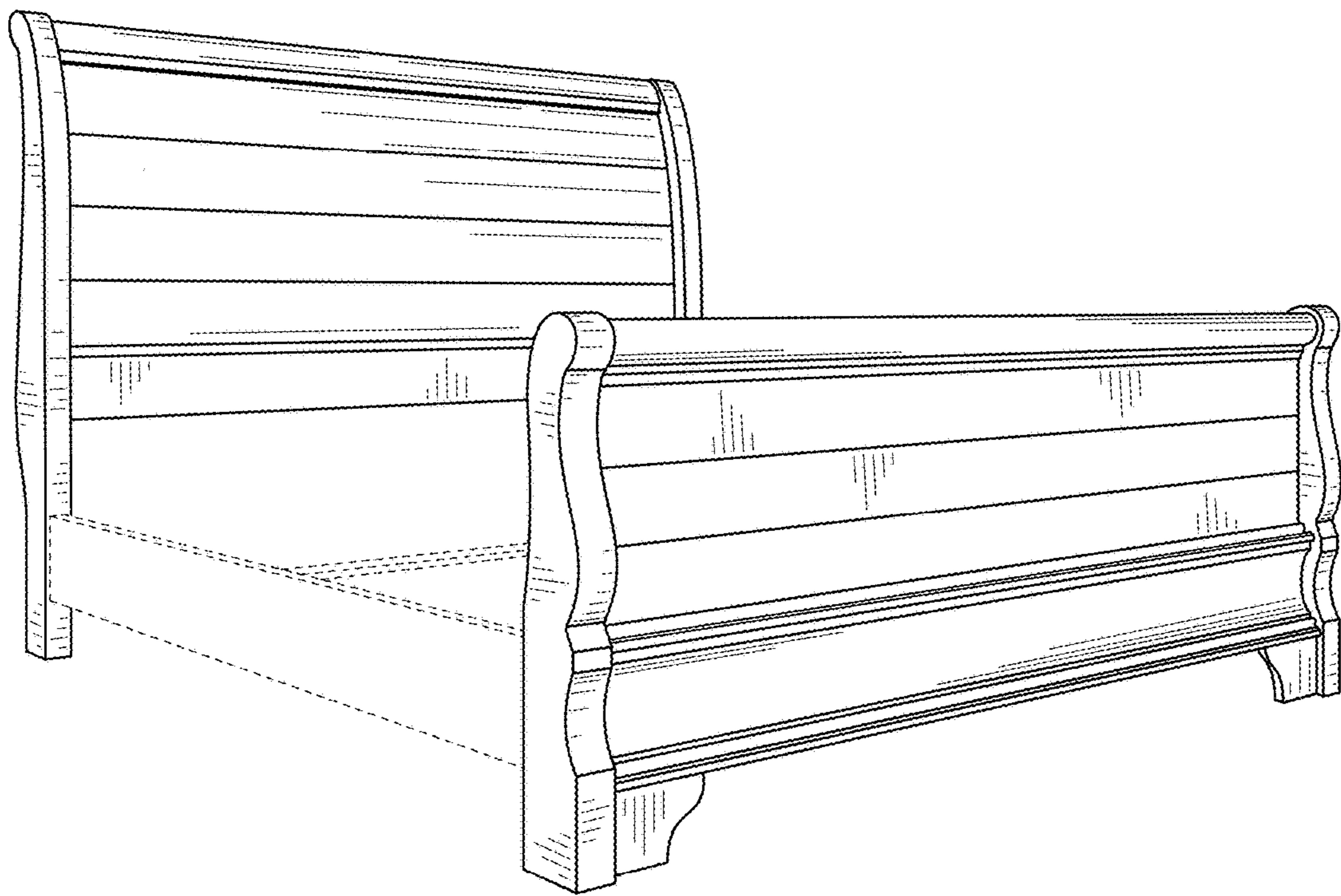


FIG. 1

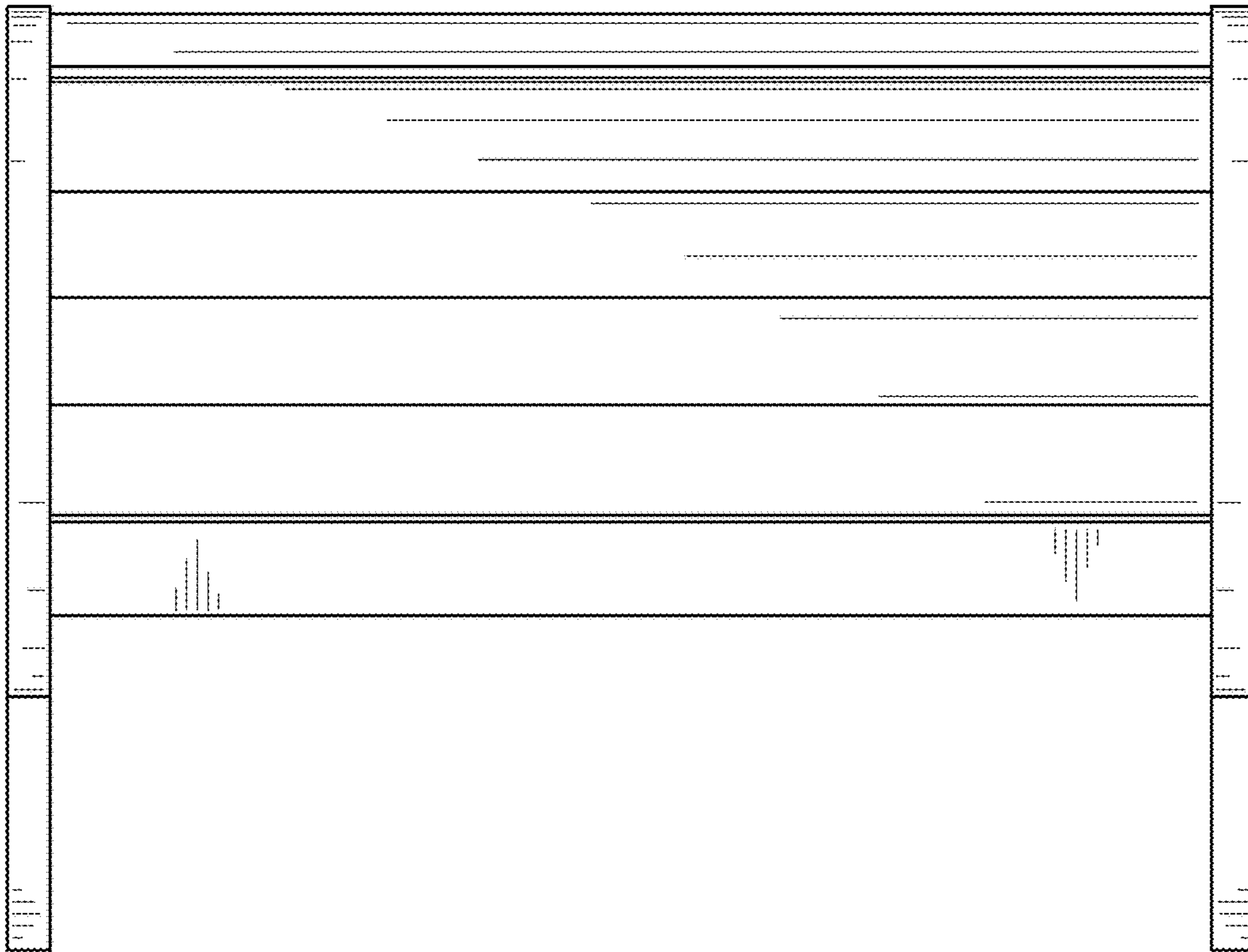


FIG. 2

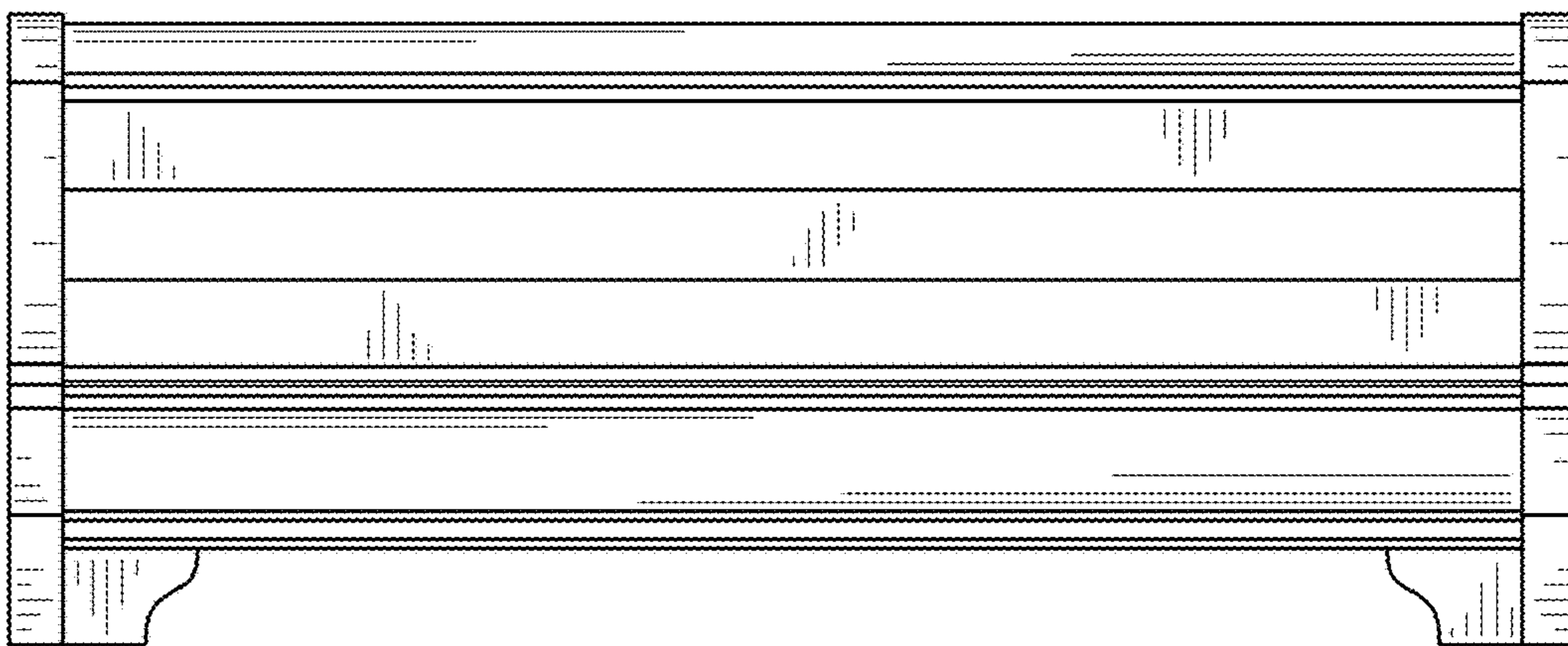


FIG. 3

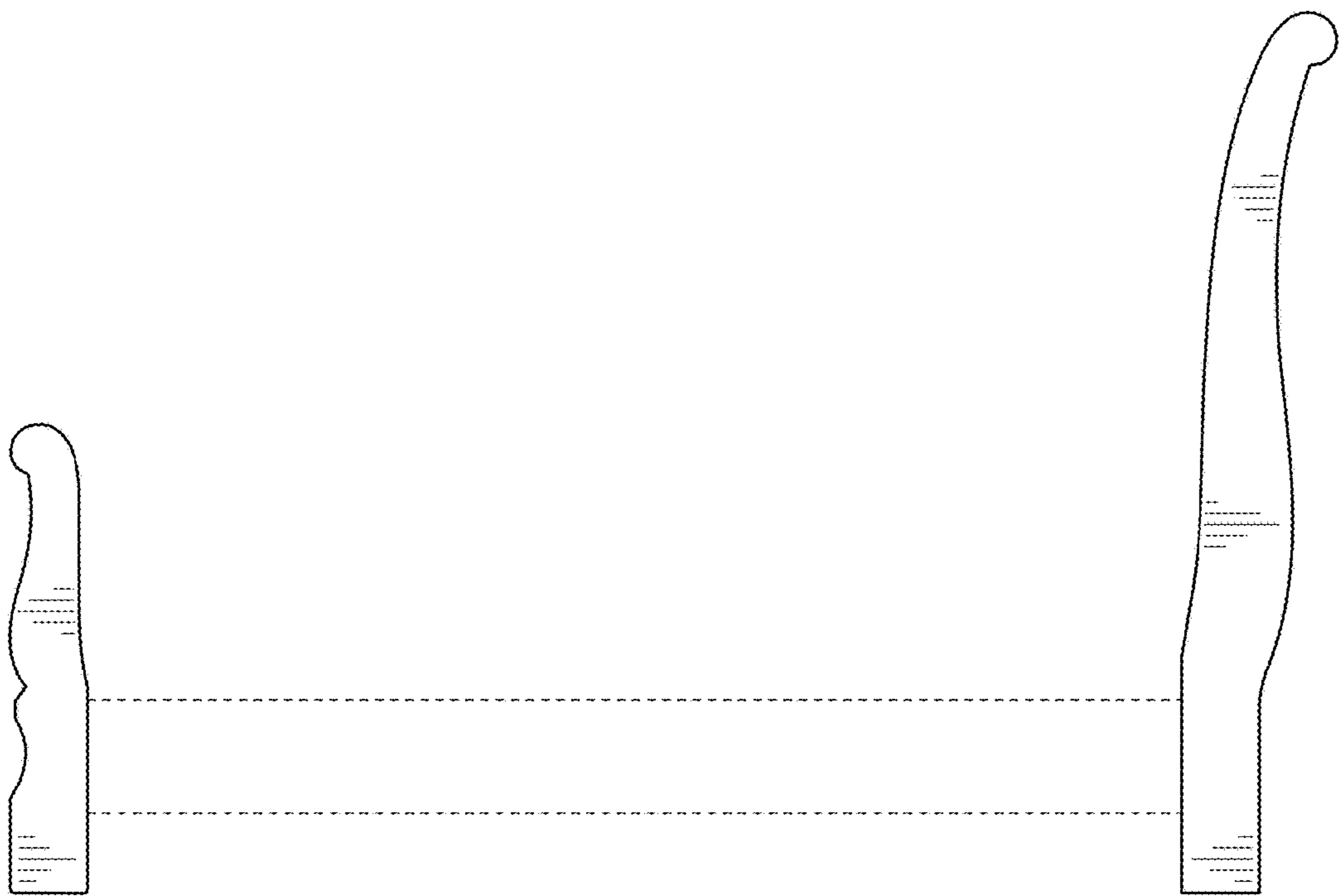


FIG. 4

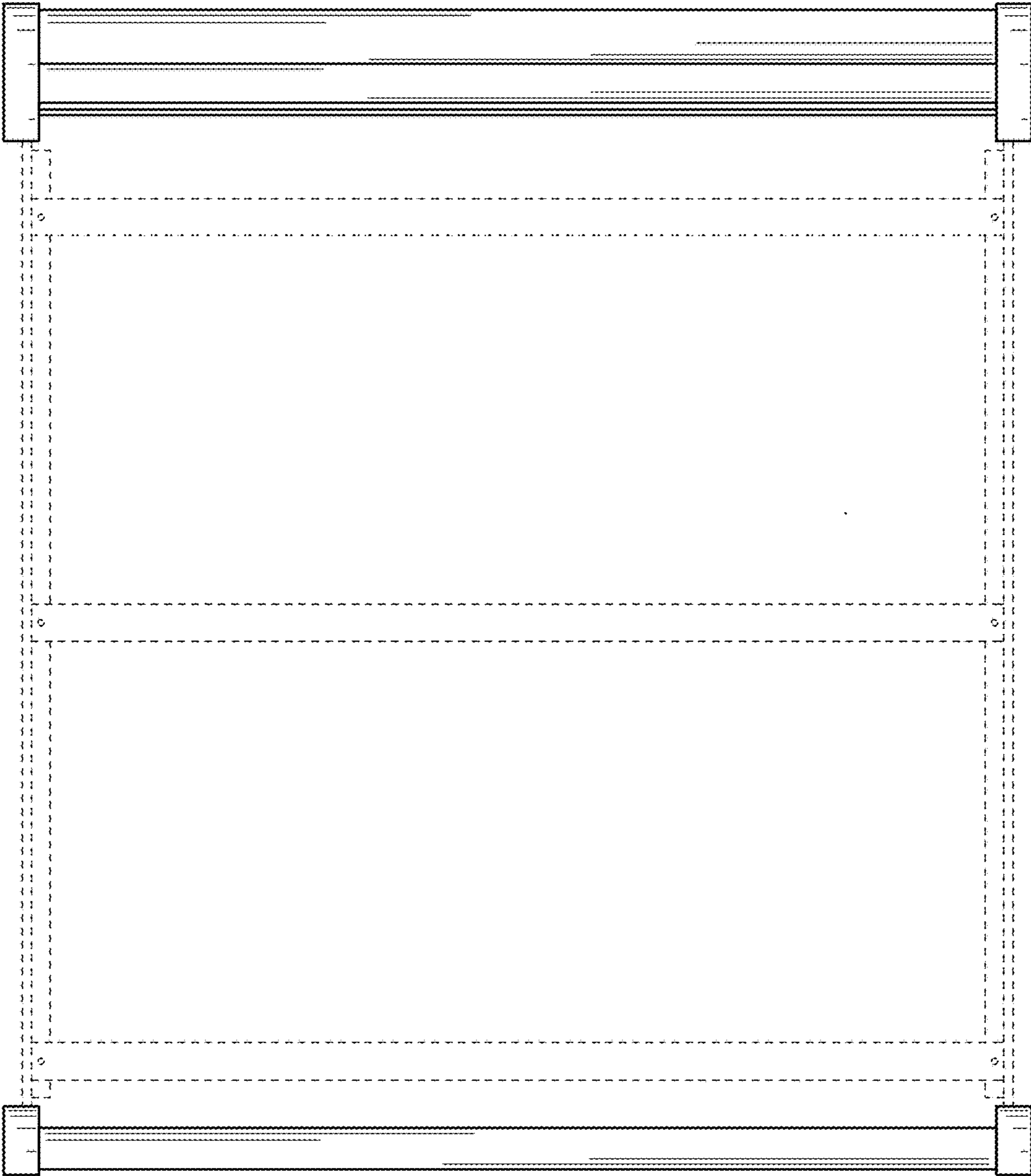


FIG. 5