



US00D789701S

(12) **United States Design Patent**
Westfall

(10) **Patent No.:** **US D789,701 S**

(45) **Date of Patent:** **** Jun. 20, 2017**

- (54) **SOFA**
- (71) Applicant: **Christopher Alan Westfall**, Redwood City, CA (US)
- (72) Inventor: **Christopher Alan Westfall**, Redwood City, CA (US)
- (73) Assignee: **Christopher Westfall**, Redwood City, CA (US)
- (**) Term: **15 Years**
- (21) Appl. No.: **29/505,887**
- (22) Filed: **Mar. 29, 2016**
- (51) **LOC (10) Cl.** **06-01**
- (52) **U.S. Cl.**
USPC **D6/372**
- (58) **Field of Classification Search**
USPC D6/334, 335, 336, 360, 361, 367, 368,
D6/371-375, 379-381, 716, 716.1-716.8
CPC A47C 17/00; A47C 17/02; A47C 17/04;
A47C 17/045; A47C 17/12; A47C 17/175
See application file for complete search history.

D224,652 S *	8/1972	Zellick et al.	D6/379
D265,613 S *	8/1982	Zapf	D6/373
D268,551 S *	4/1983	Raftery	D6/336
D277,053 S *	1/1985	Golden	D6/373
D279,839 S *	7/1985	Mulhauser	D6/365
D294,436 S *	3/1988	Colby	D6/367
D615,315 S *	5/2010	Andersen	D6/367
D624,762 S *	10/2010	Podsiadlo	D6/348
D651,425 S *	1/2012	Bellin	D6/372
D652,226 S *	1/2012	Andersen	D6/373
D666,427 S *	9/2012	Morrison	D6/372
D683,157 S *	5/2013	Pedersen	D6/372
D747,115 S *	1/2016	Lievore	D6/375
D766,606 S *	9/2016	Volpe	D6/373
D775,848 S *	1/2017	Bettin	D6/381
D781,611 S *	3/2017	Westfall	D6/379

* cited by examiner

Primary Examiner — Deanna L Pratt

(57) **CLAIM**

The ornamental design for a sofa, as shown.

DESCRIPTION

FIG. 1 is a perspective ¾ lower front view of my new sofa
 FIG. 2 is a perspective ¾ back view of my sofa
 FIG. 3 is a perspective ¾ upper front view of my sofa
 FIG. 4 is a right-side view of my sofa
 FIG. 5 is a front view of my sofa
 FIG. 6 is a rear view of my sofa
 FIG. 7 is a top view of my sofa; and,
 FIG. 8 is a bottom view of my sofa.

1 Claim, 4 Drawing Sheets

(56) **References Cited**

U.S. PATENT DOCUMENTS

D106,241 S *	9/1937	Salomon	D6/356
D160,603 S *	10/1950	Hubbell	D6/379
D190,645 S *	6/1961	Sundberg et al.	D6/379
D193,138 S *	7/1962	Ohlsson	D6/379

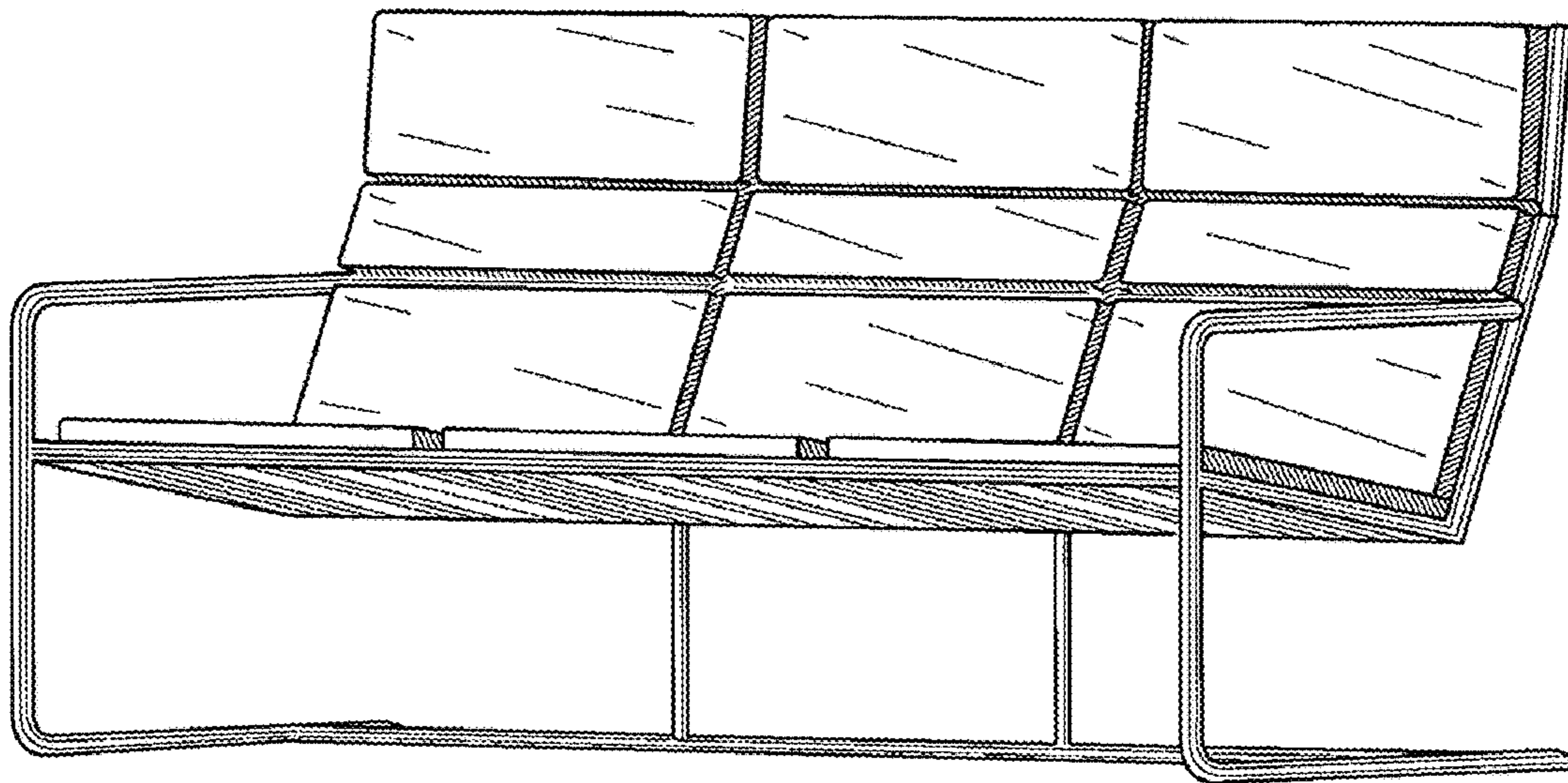


FIG. 1

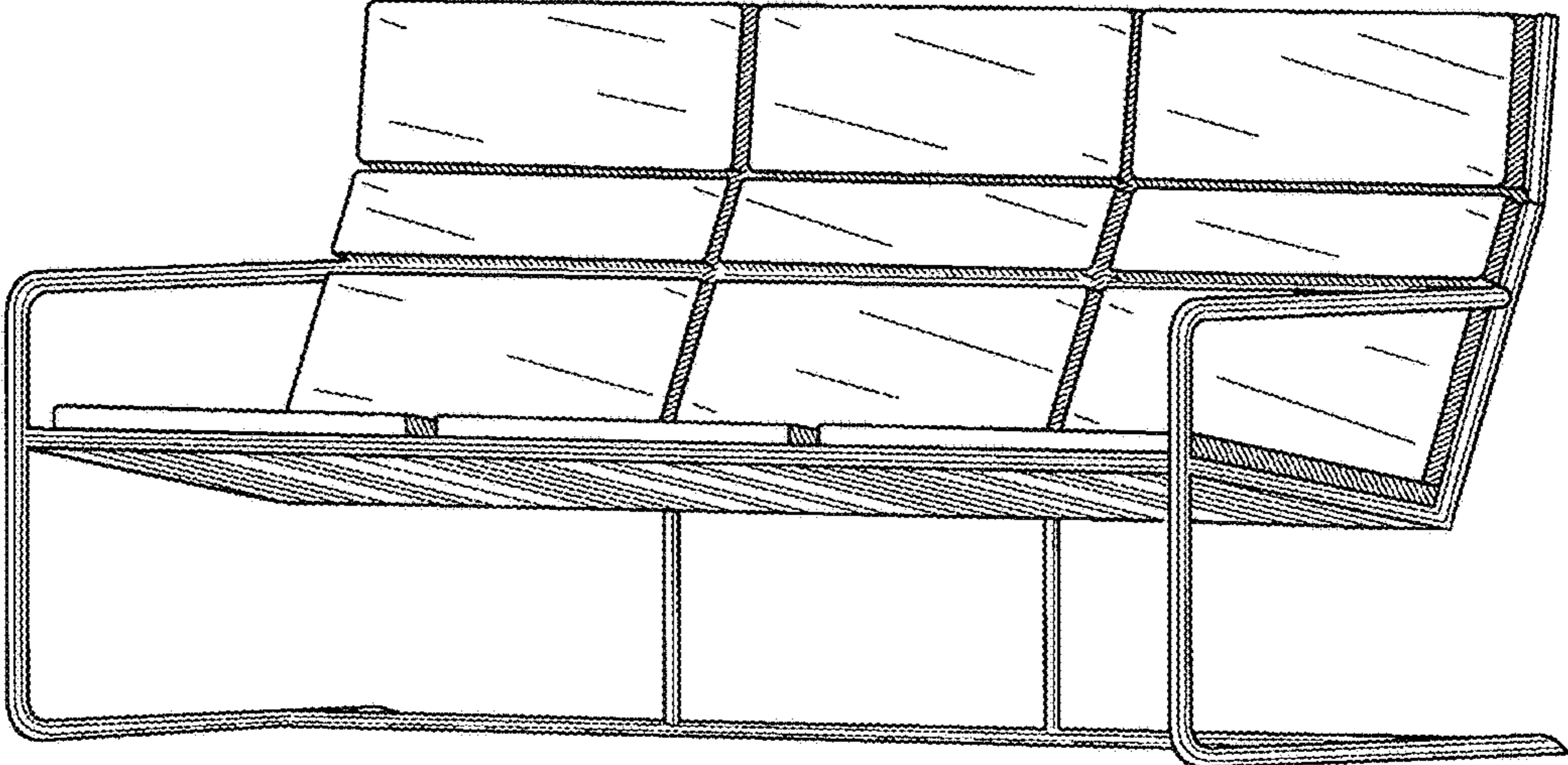
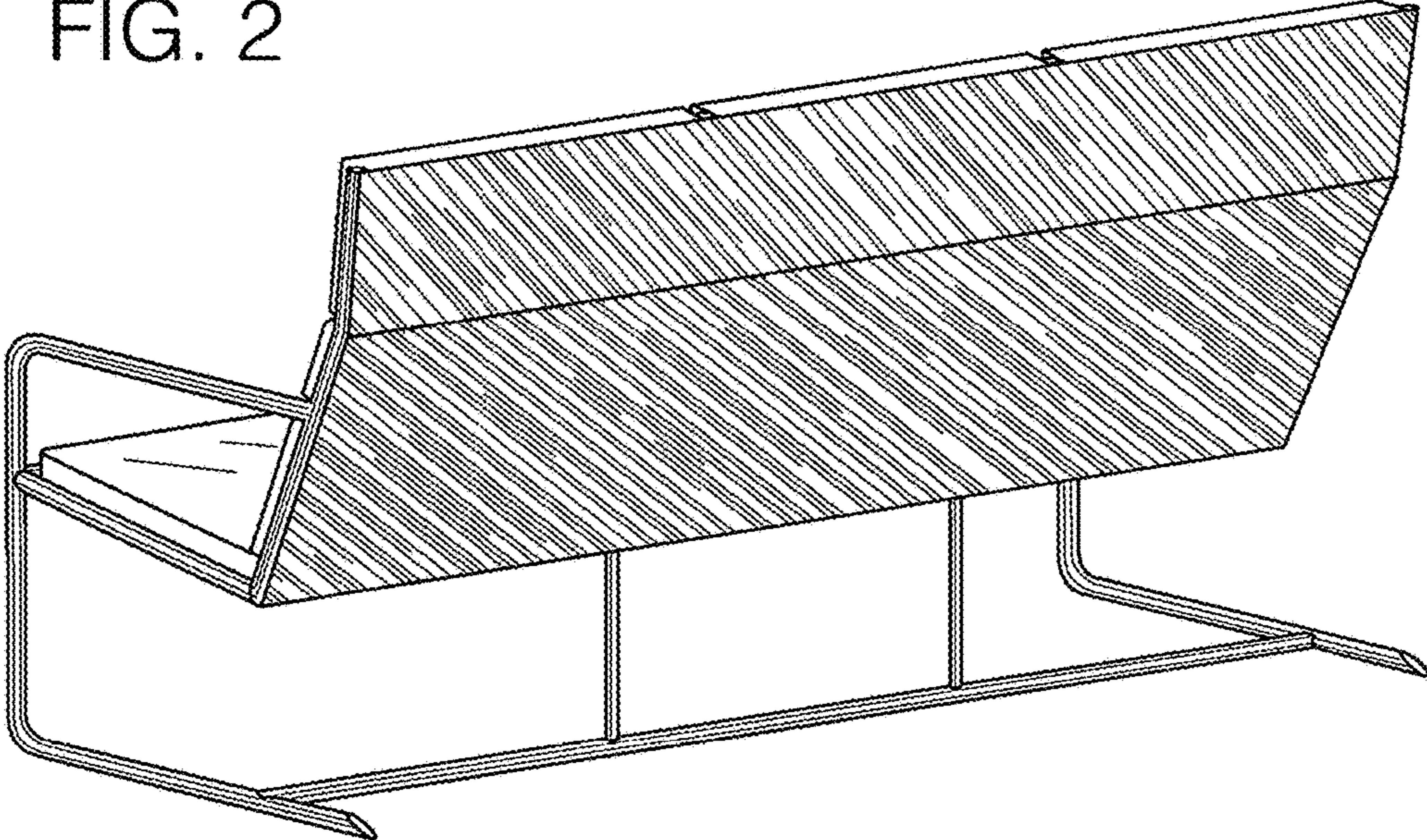


FIG. 2



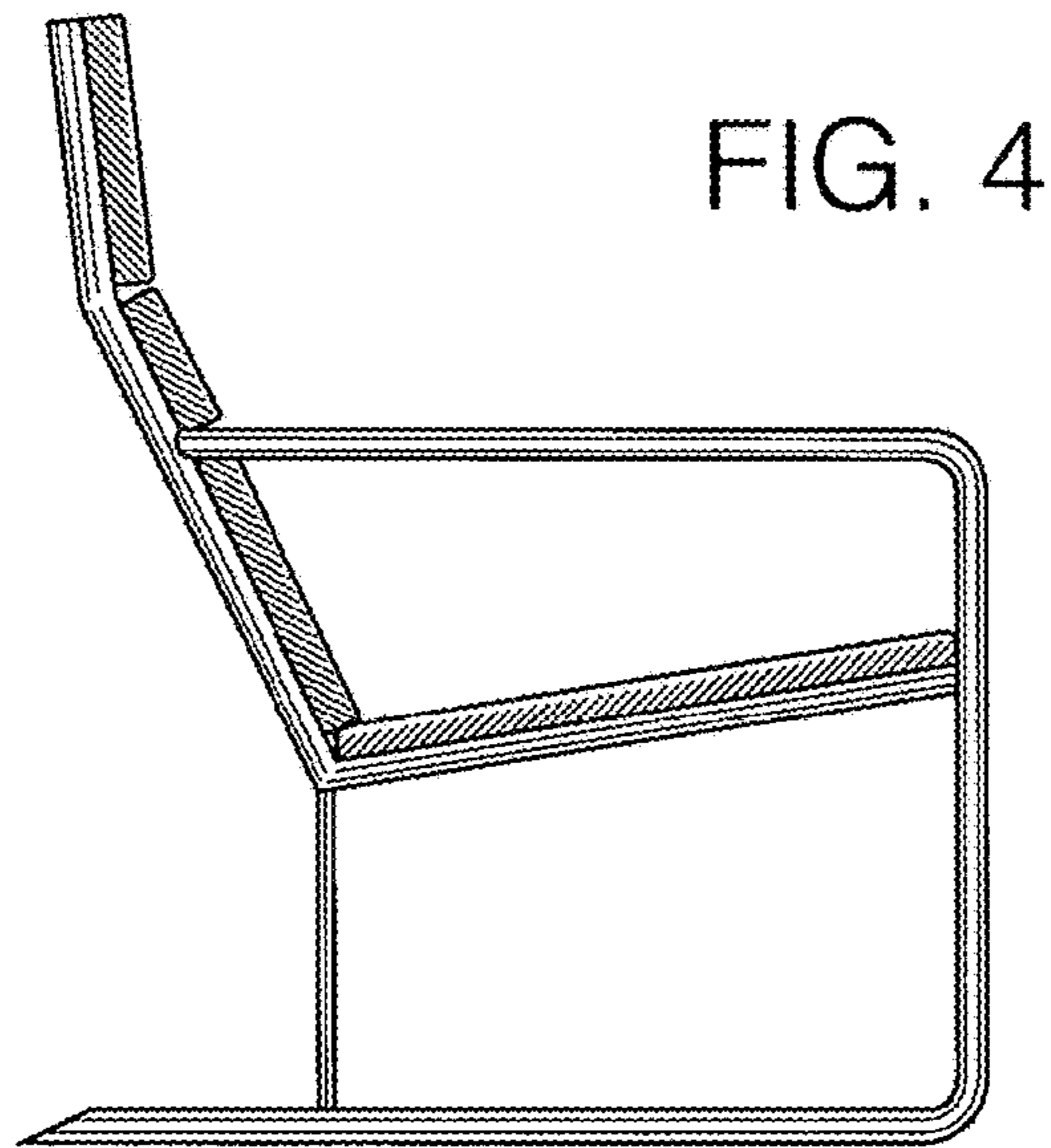
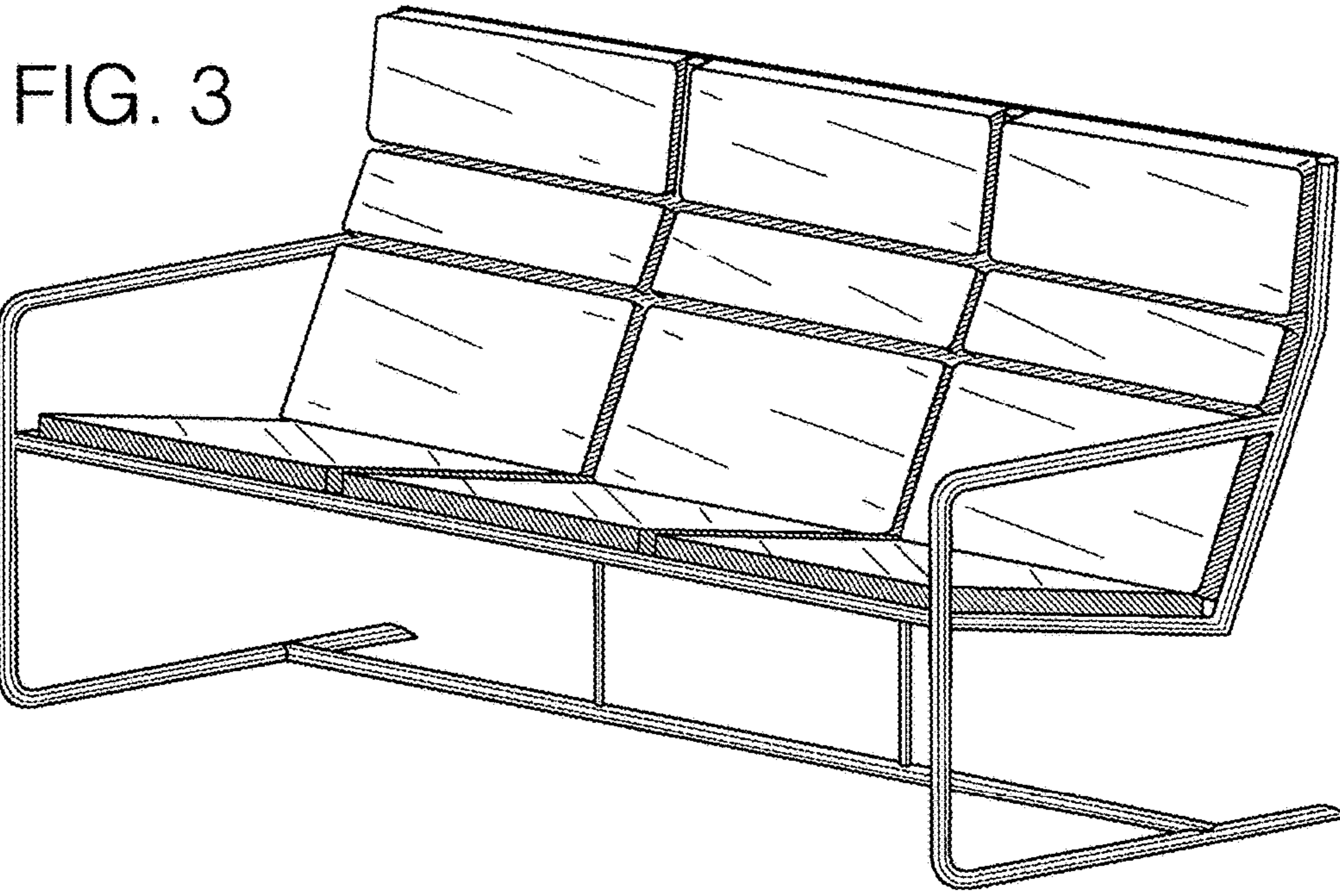


FIG. 5

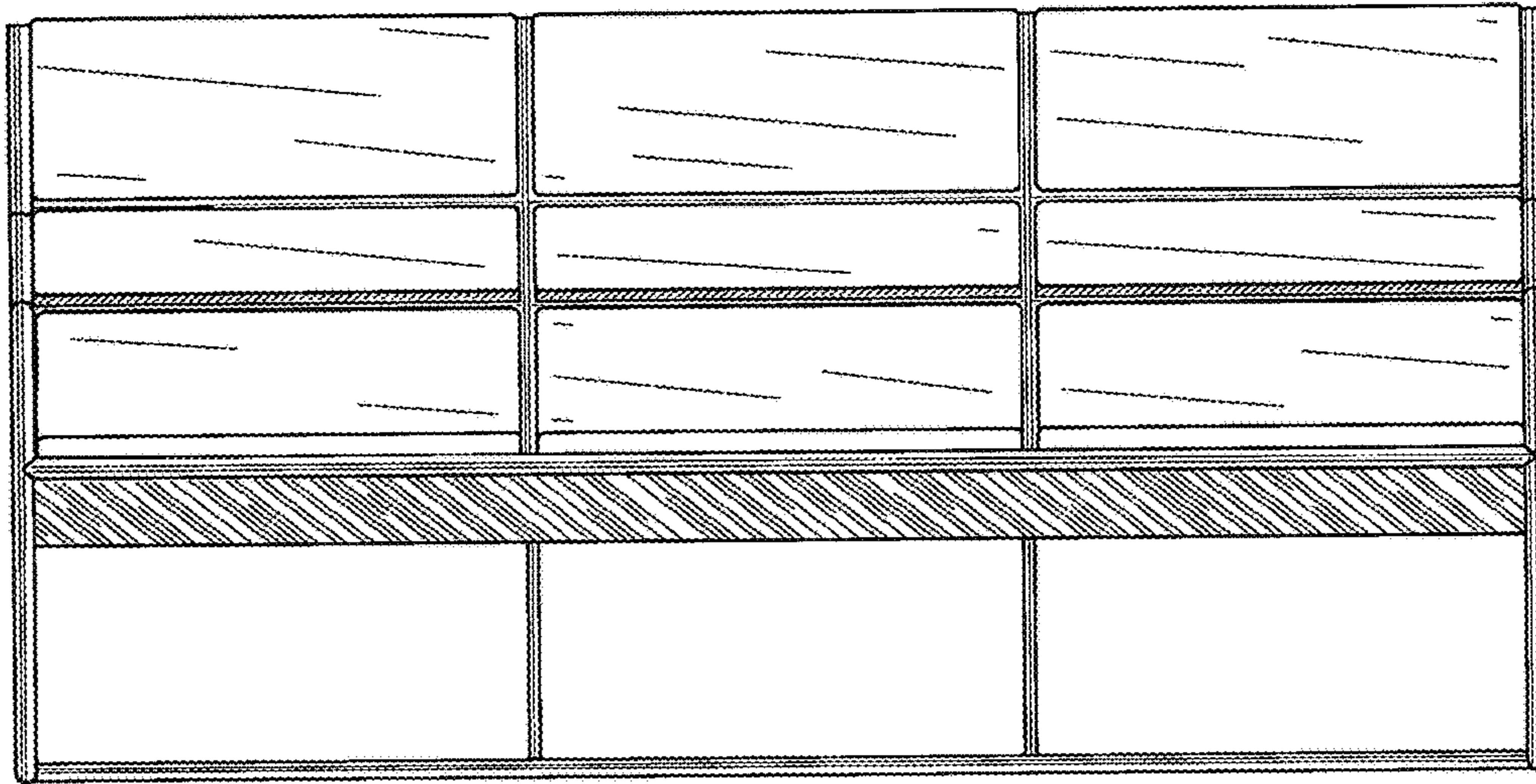


FIG. 6

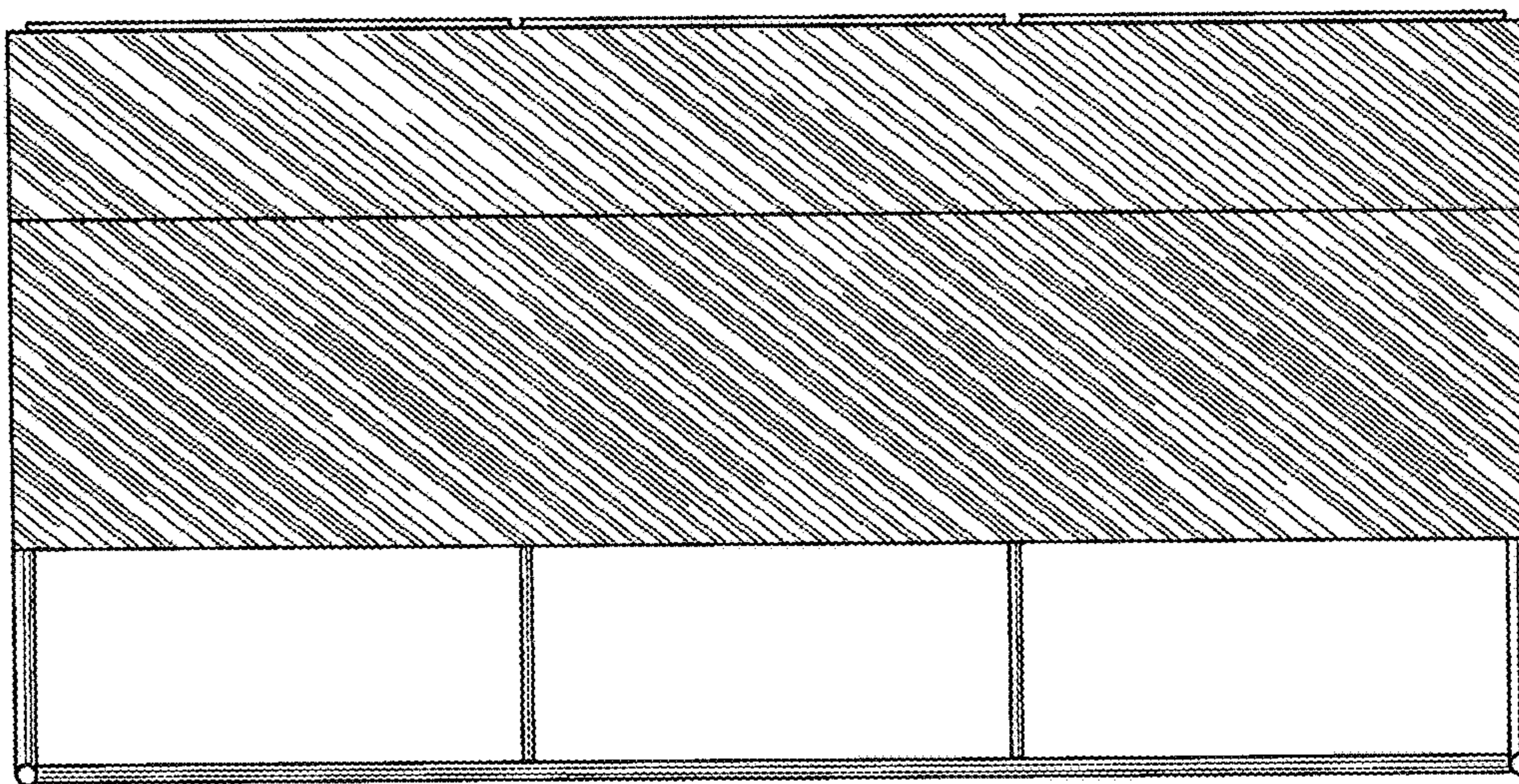


FIG. 7

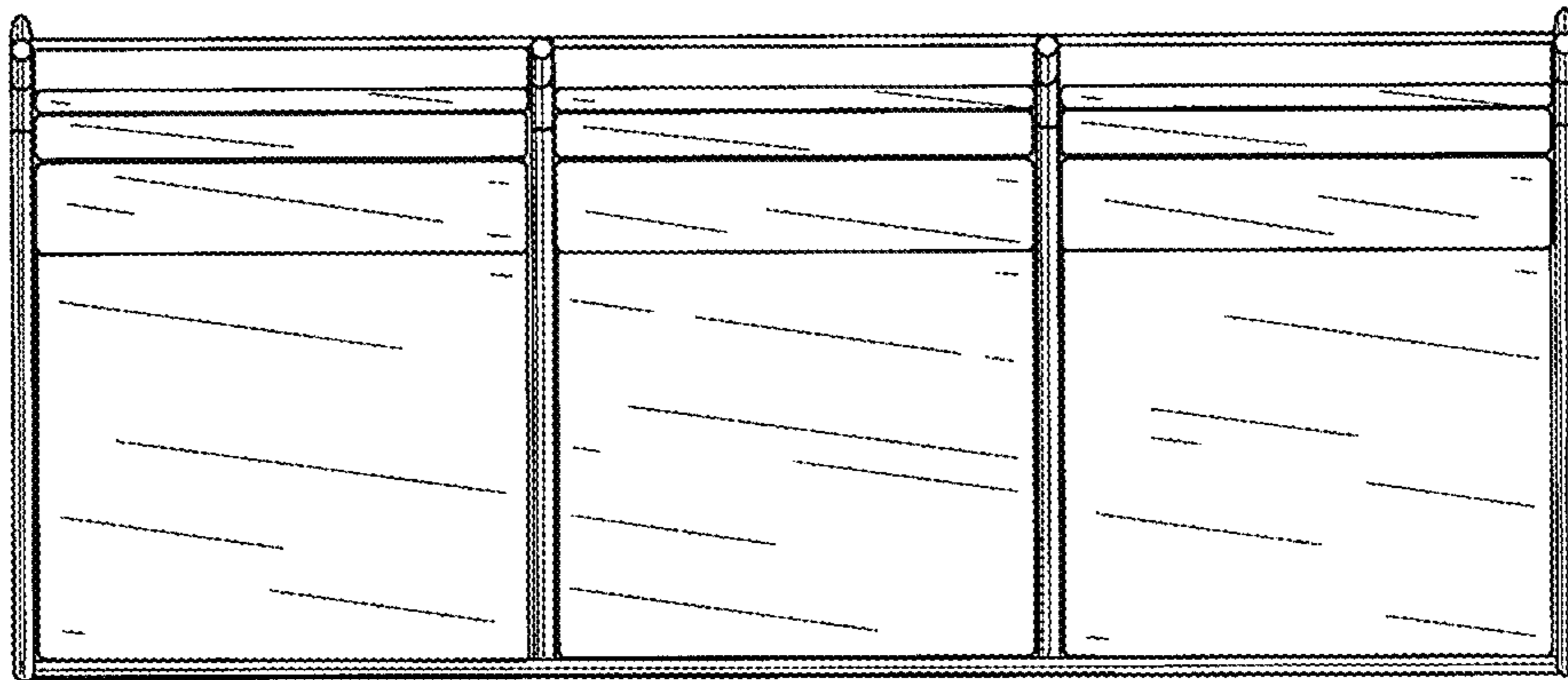


FIG. 8

