



US00D789700S

(12) **United States Design Patent**
Kumagai et al.

(10) **Patent No.:** **US D789,700 S**
(45) **Date of Patent:** **** Jun. 20, 2017**

(54) **VEHICLE SEAT**

(71) Applicant: **TACHI-S Co., Ltd.**, Tokyo (JP)

(72) Inventors: **Kotaro Kumagai**, Ome (JP); **Atsushi Ishii**, Ome (JP); **Masayuki Taguchi**, Ome (JP)

(73) Assignee: **TACHI-S CO., LTD.**, Tokyo (JP)

(**) Term: **15 Years**

(21) Appl. No.: **29/562,364**

(22) Filed: **Apr. 25, 2016**

(30) **Foreign Application Priority Data**

Oct. 27, 2015 (JP) 2015-023808

(51) **LOC (10) Cl.** **06-01**

(52) **U.S. Cl.**
USPC **D6/356**

(58) **Field of Classification Search**
USPC D6/334-336, 356, 367, 368, 374, 375,
D6/716, 716.1, 716.2, 716.3, 716.4, 716.5
CPC B60N 2/22; B60N 2/248; B60N 2/2851;
B60N 2/449; B60N 2/4882; A47C 7/022;
A47C 7/18

See application file for complete search history.

(56) **References Cited**

U.S. PATENT DOCUMENTS

D345,477 S * 3/1994 Infanti D6/716.4
D368,399 S * 4/1996 Buffon D6/716

D420,816 S * 2/2000 Wilcox D6/356
D458,465 S * 6/2002 Boulay D6/356
D491,757 S * 6/2004 Vong D6/366
D534,732 S * 1/2007 Chen D6/356
D591,068 S * 4/2009 Corradi D6/356
D723,820 S * 3/2015 Ashley D6/356
D776,475 S * 1/2017 Makita D6/356

* cited by examiner

Primary Examiner — Mimoso De

(74) *Attorney, Agent, or Firm* — Fitch, Even, Tabin & Flannery, LLP

(57) **CLAIM**

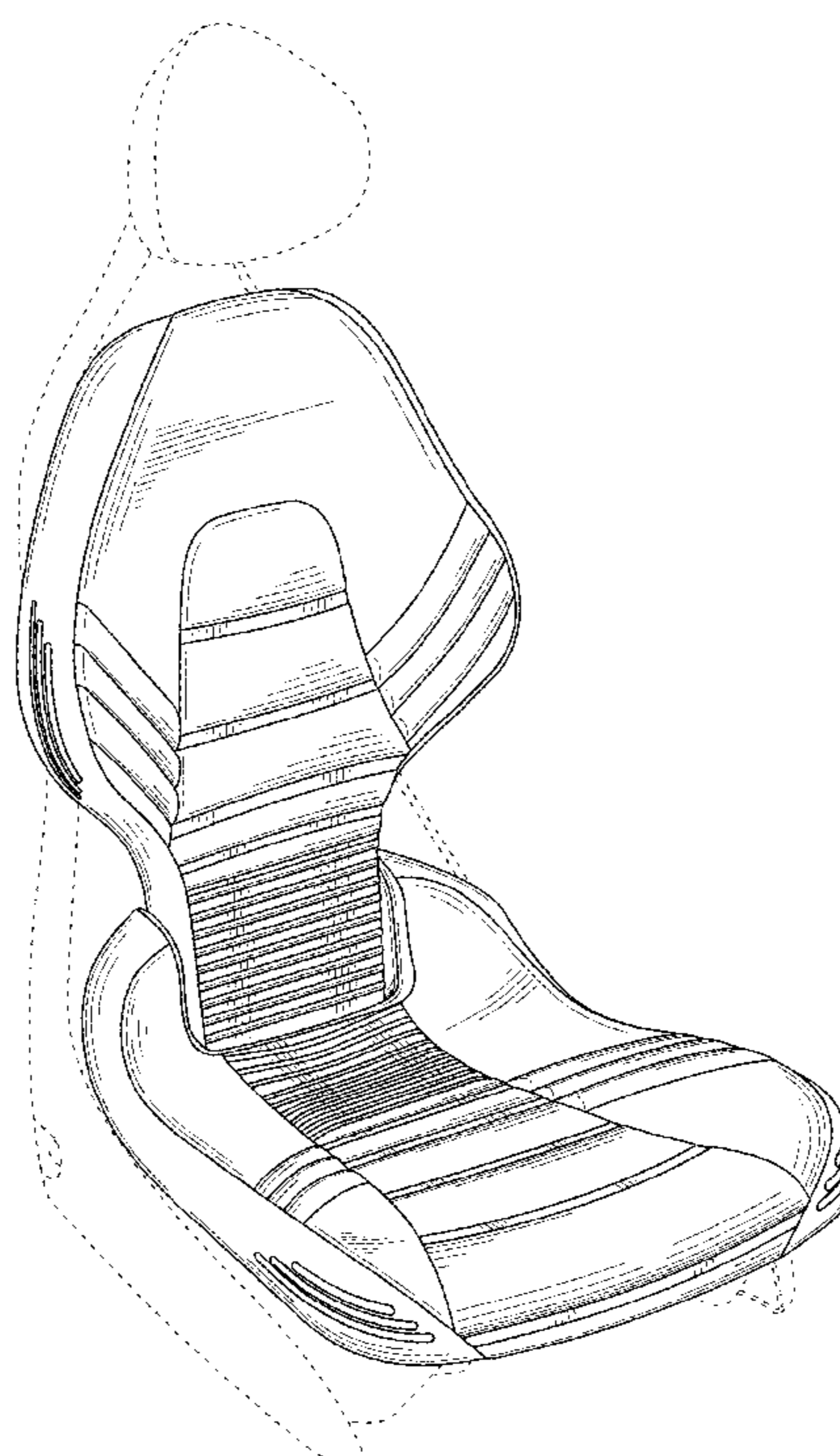
We claim the ornamental design for a vehicle seat, as shown (and described).

DESCRIPTION

FIG. 1 is a front, top and right side perspective view of a vehicle seat showing my new design;
FIG. 2 is a rear, top and right side perspective view of a vehicle seat showing my new design;
FIG. 3 is a front elevational view thereof;
FIG. 4 is a rear elevational view thereof;
FIG. 5 is a right side elevational view thereof;
FIG. 6 is a left side elevational view thereof;
FIG. 7 is a top plan view thereof;
FIG. 8 is a bottom plan view thereof; and,
FIG. 9 is an end elevation view taken along line 9-9 in FIG. 3 thereof.

The broken lines shown in the drawings represent portions of the vehicle seat that form no part of the claimed design.

1 Claim, 9 Drawing Sheets



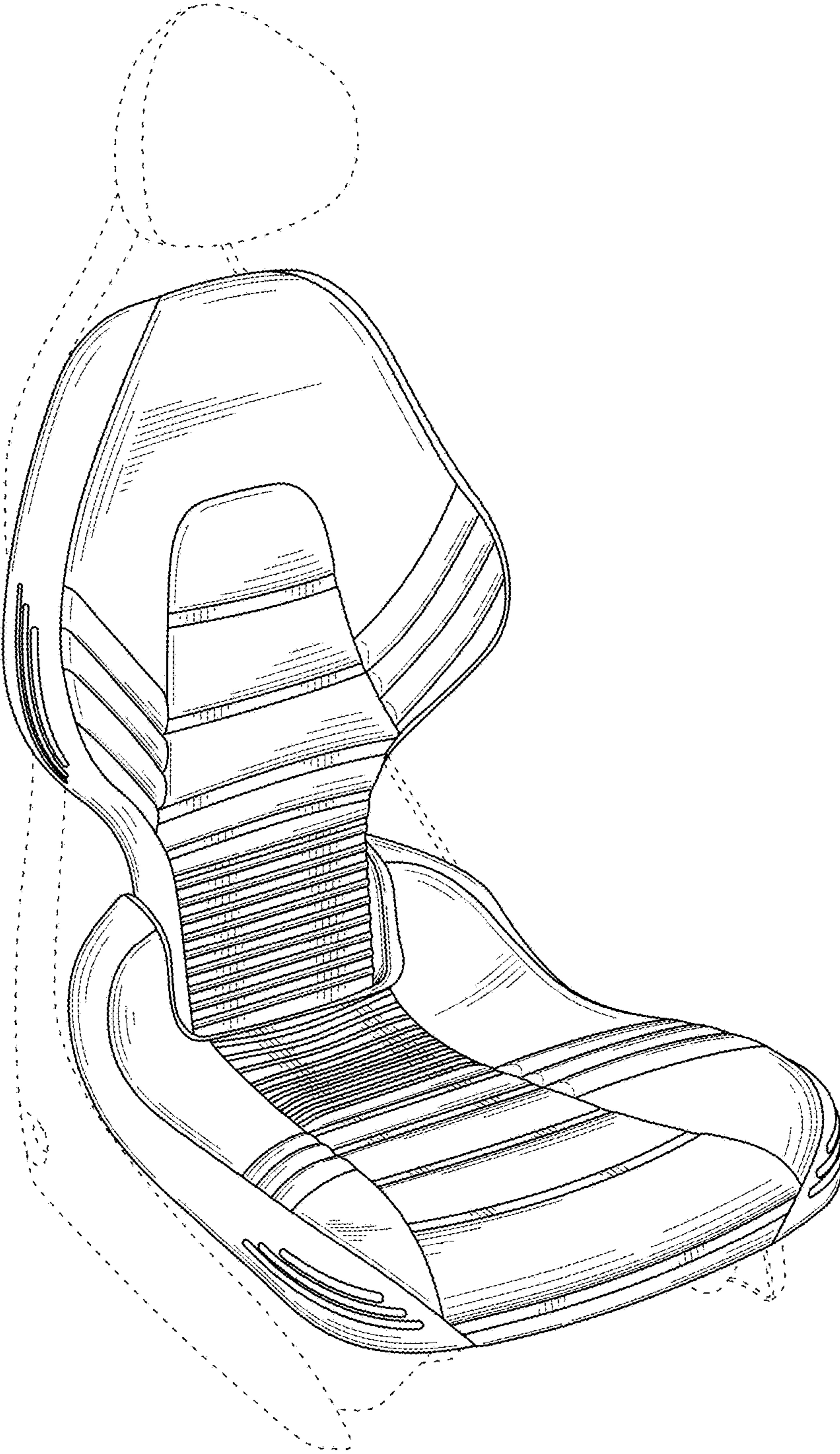


FIG. 1

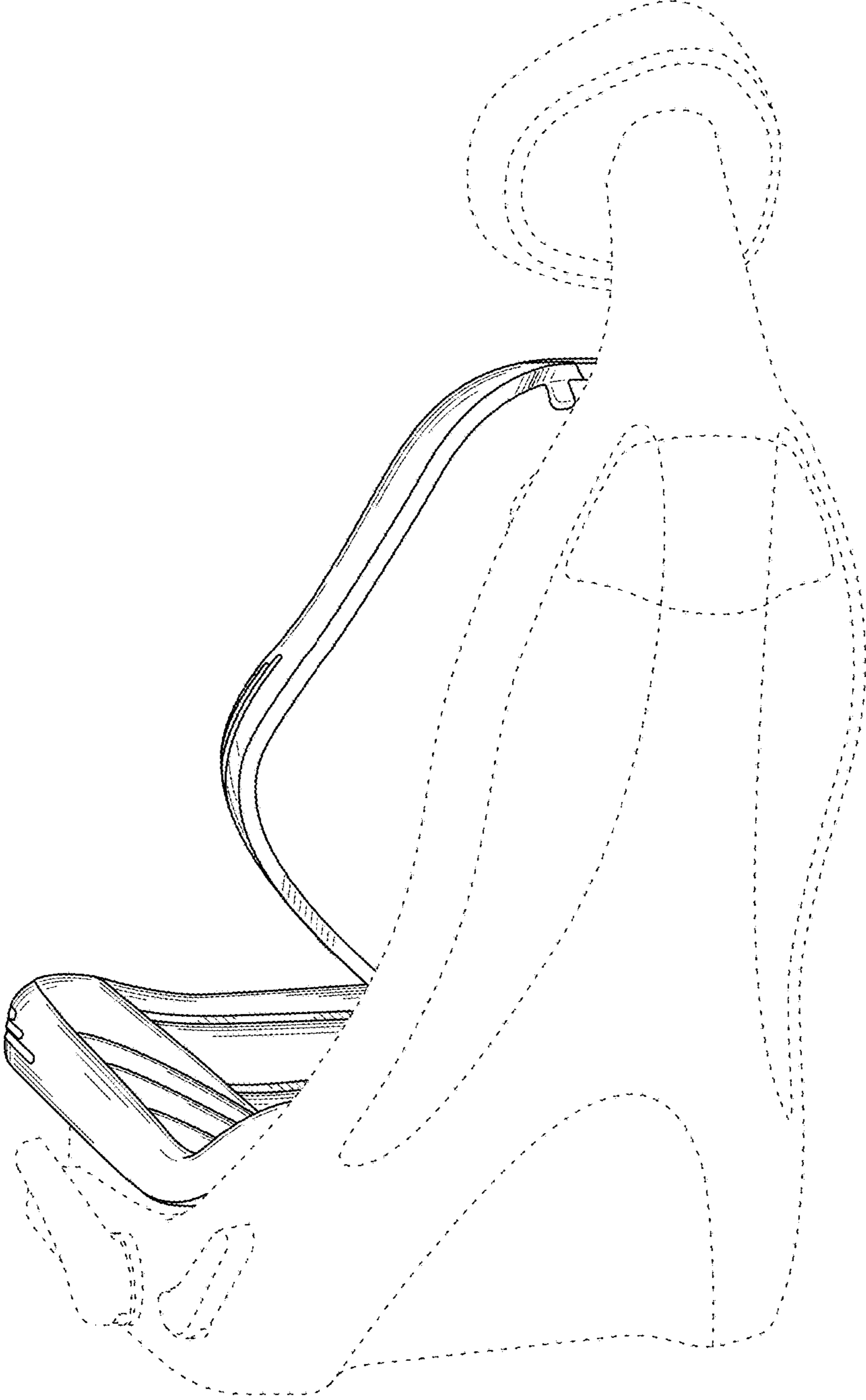


FIG. 2

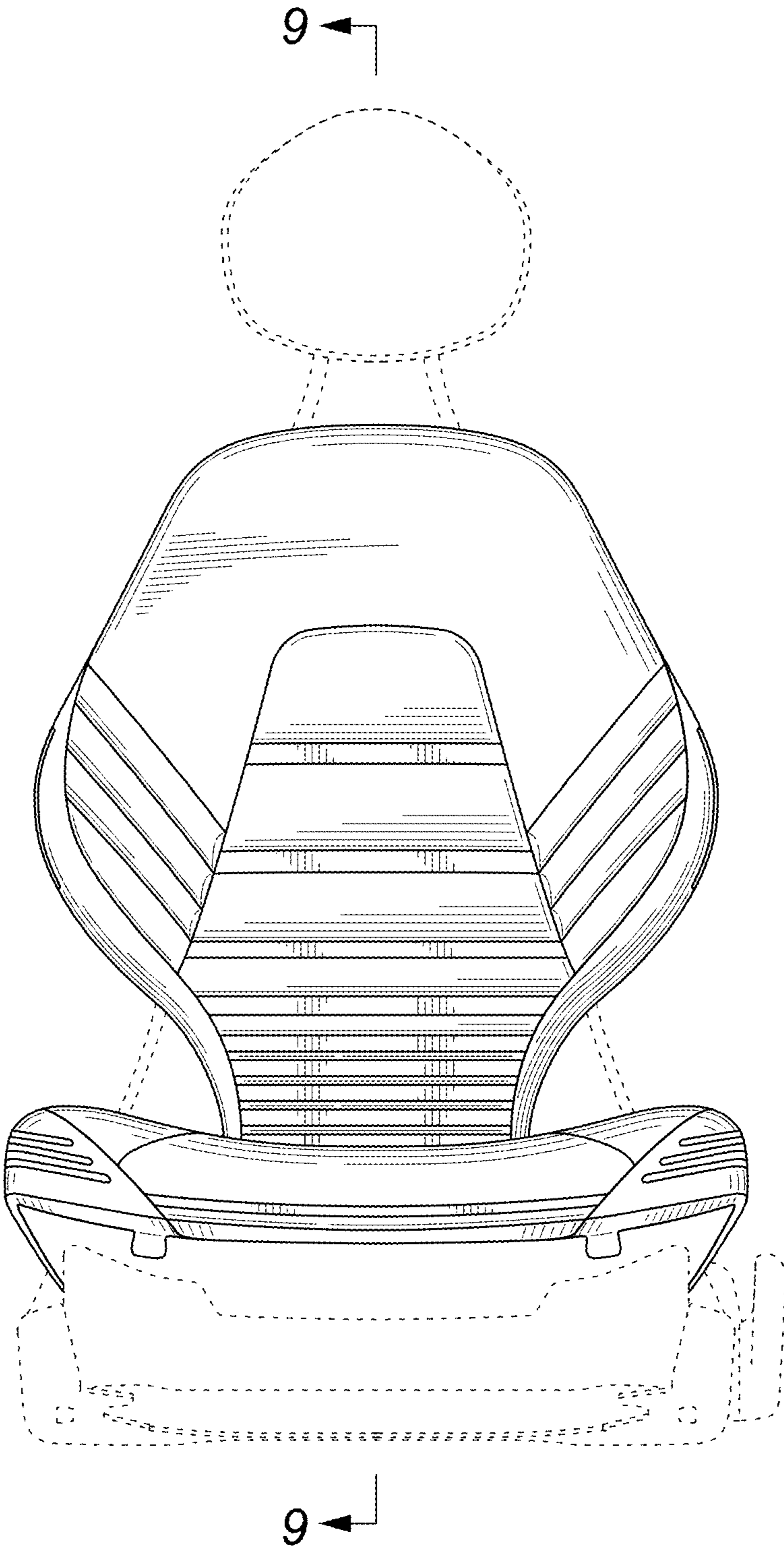


FIG. 3

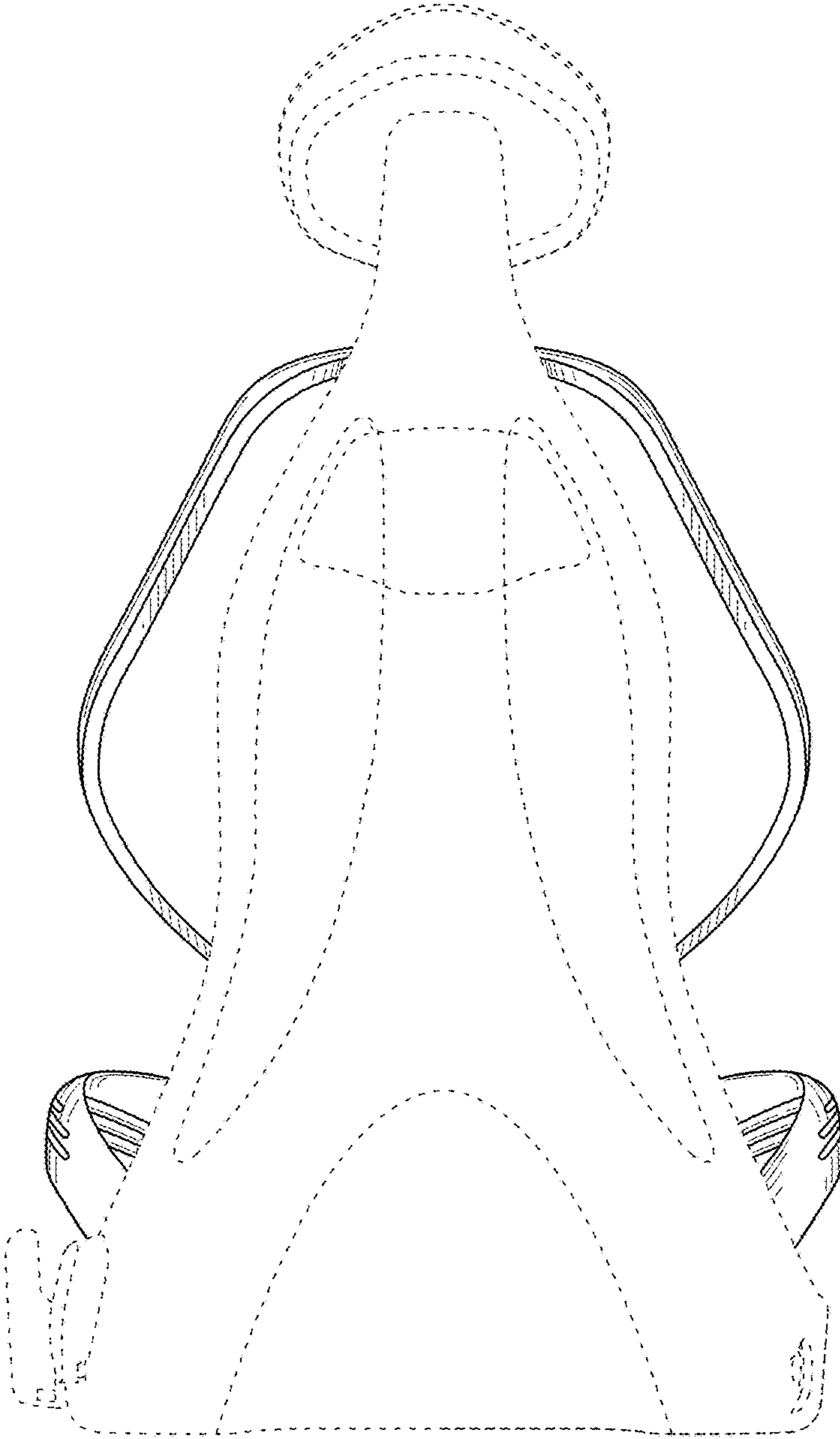


FIG. 4

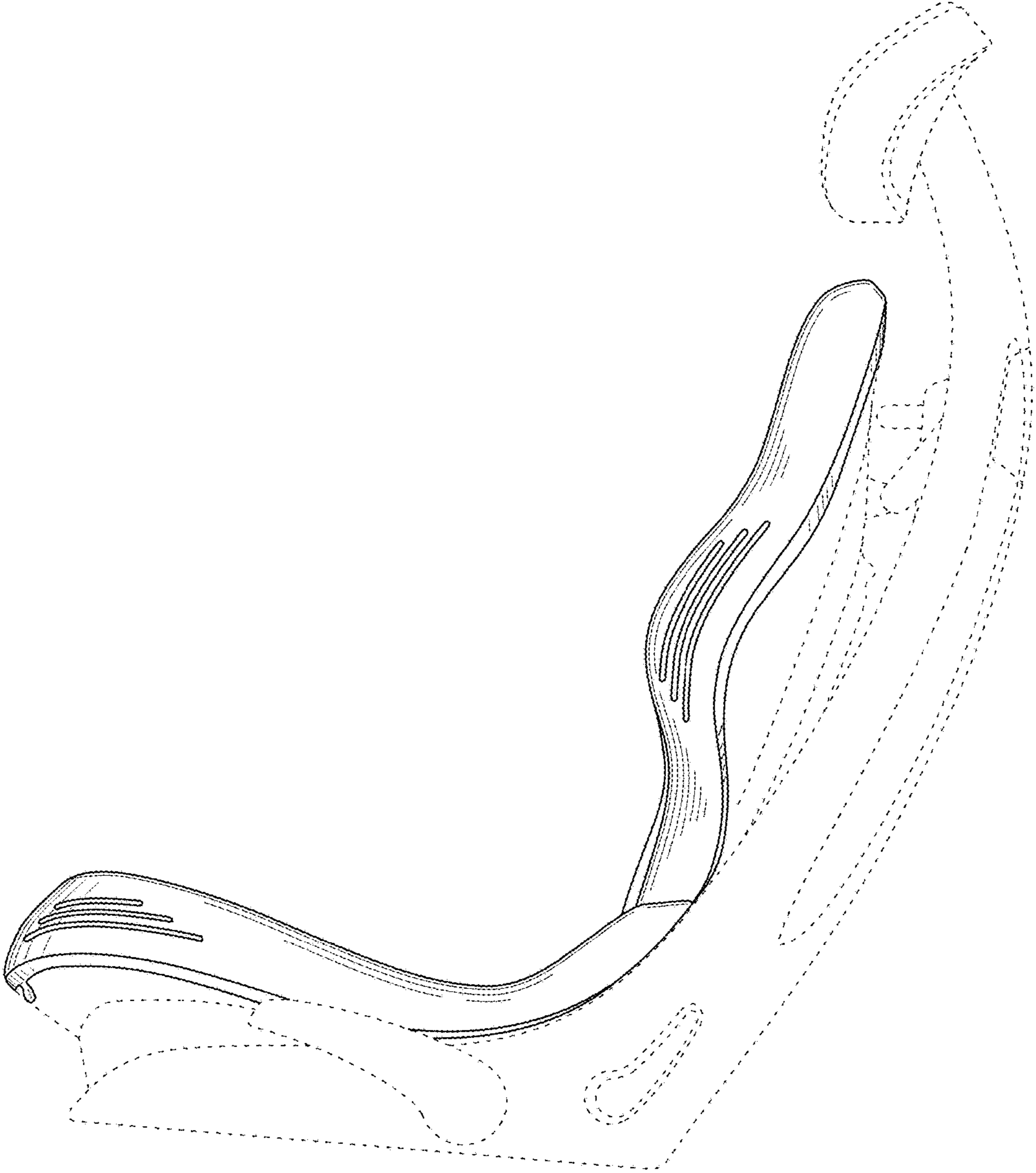


FIG. 5

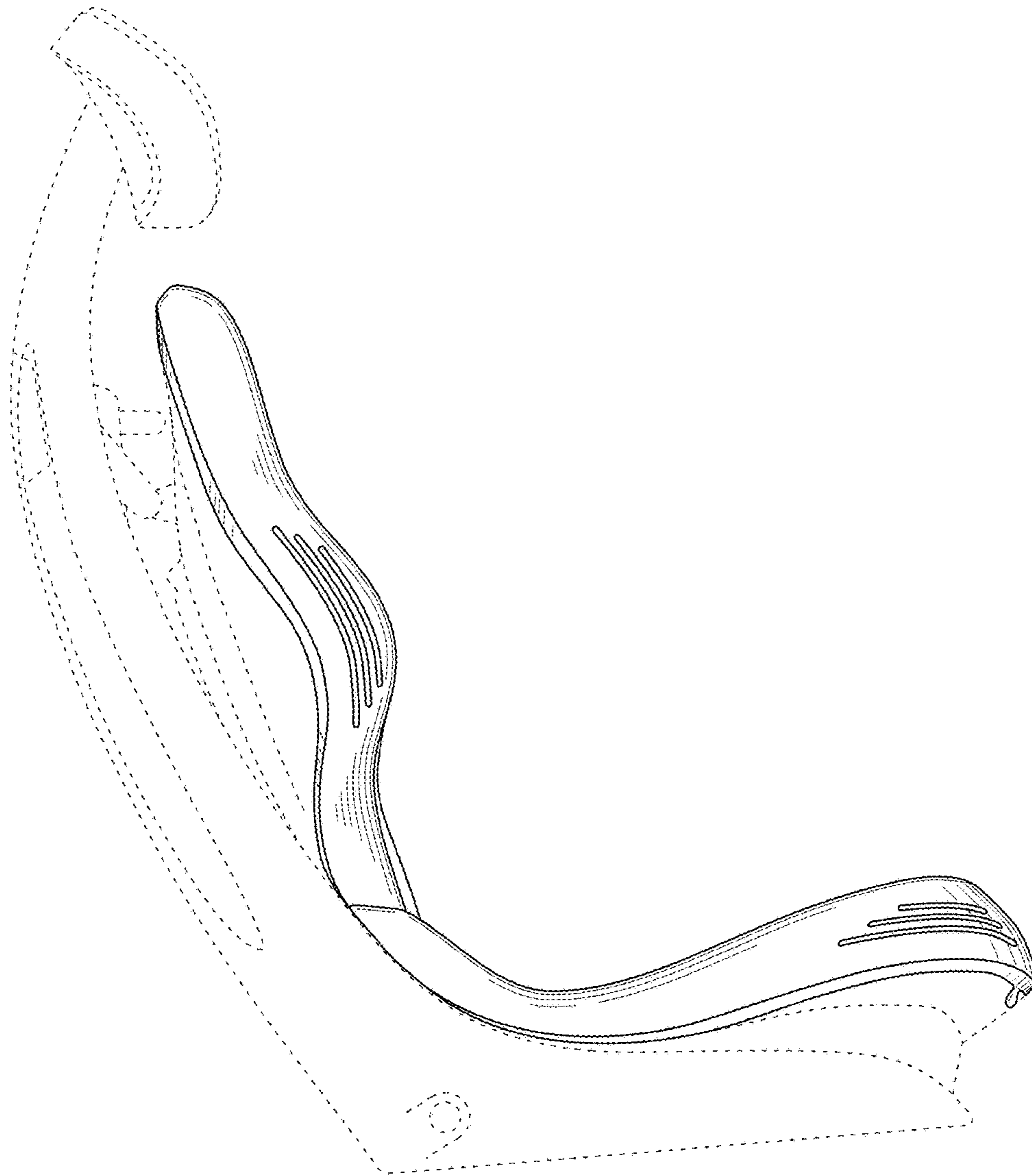


FIG. 6

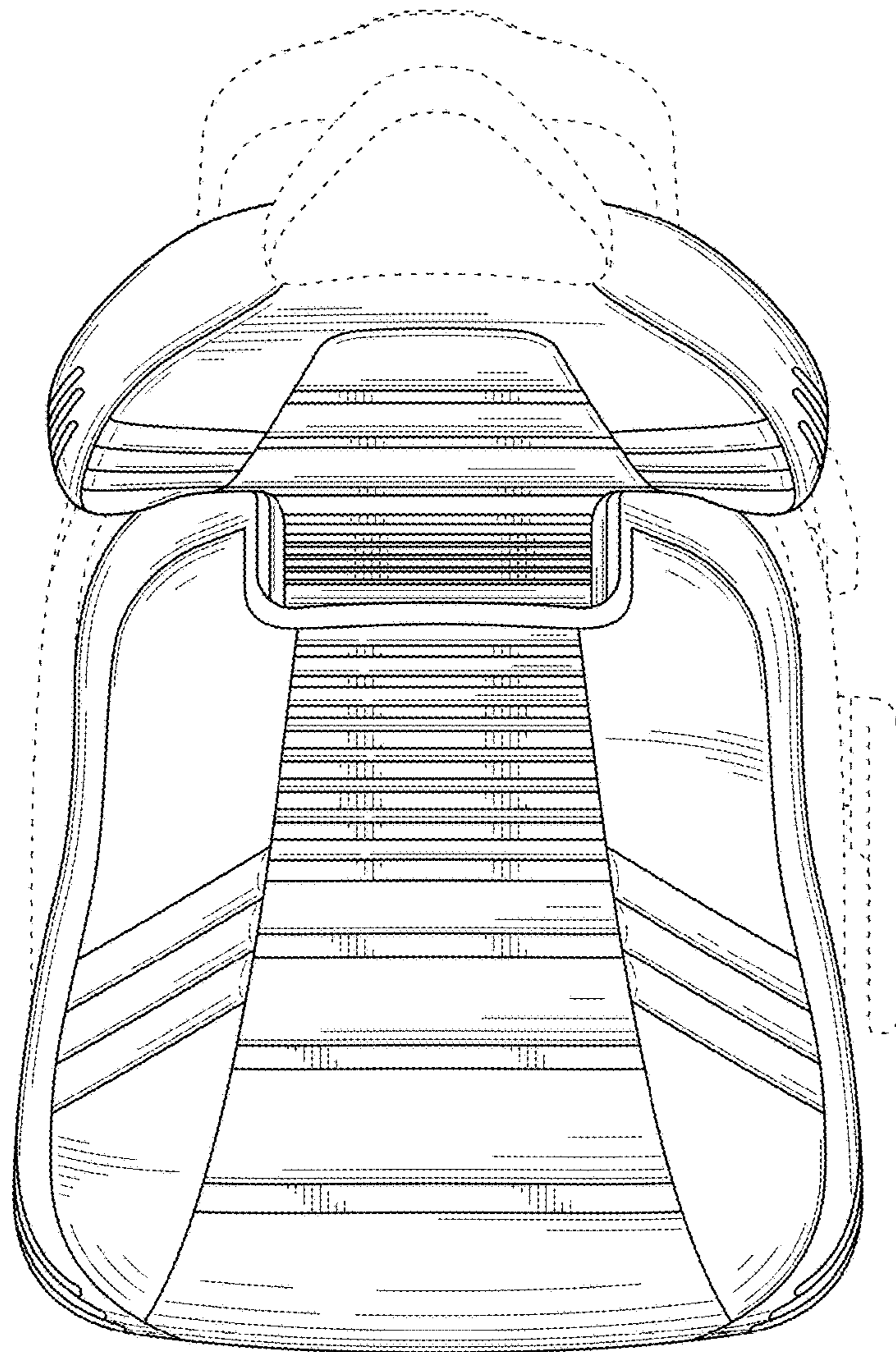


FIG. 7

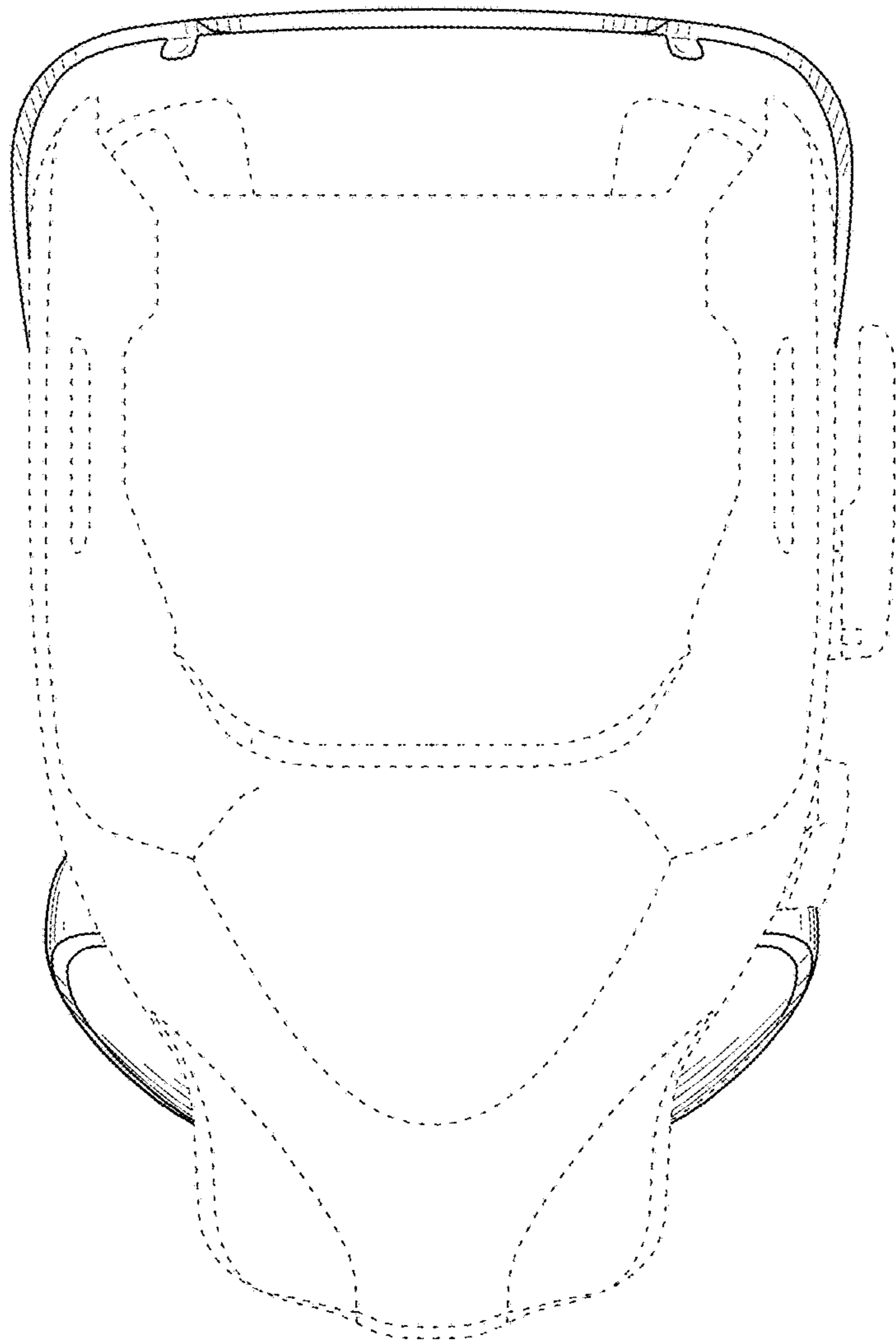


FIG. 8

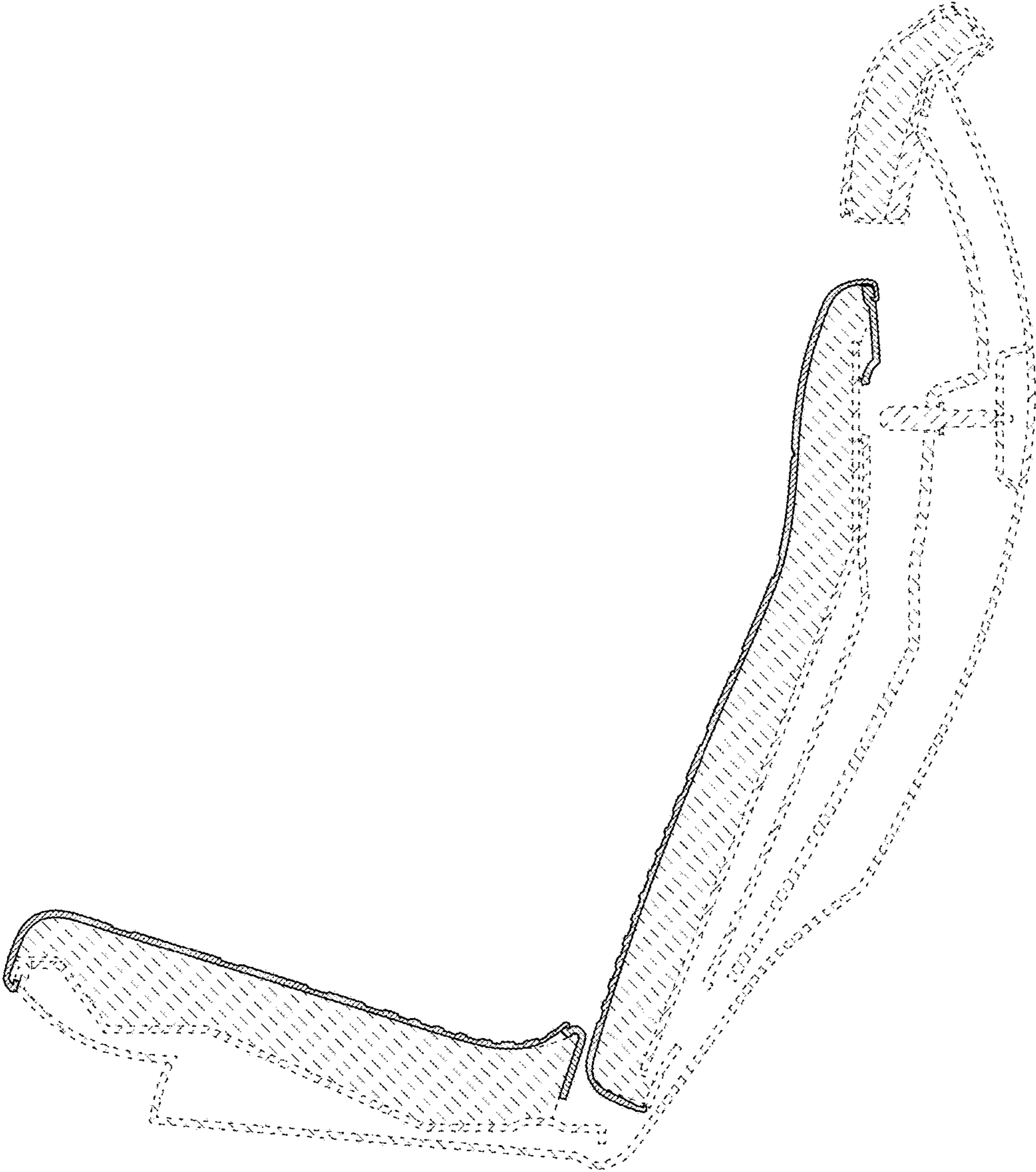


FIG. 9