



US00D789693S

(12) **United States Design Patent**
Gerbelle

(10) **Patent No.:** **US D789,693 S**
(45) **Date of Patent:** **** Jun. 20, 2017**

(54) **CLASP FOR A HANDBAG**

(71) Applicant: **J. Choo Limited**, London (GB)

(72) Inventor: **Rina Gerbelle**, Paris (FR)

(73) Assignee: **J. Choo Limited**, London (GB)

(**) Term: **15 Years**

(21) Appl. No.: **29/553,306**

(22) Filed: **Jan. 29, 2016**

(30) **Foreign Application Priority Data**

Aug. 4, 2015 (EM) 002748681-0002

Aug. 4, 2015 (EM) 002748681-0003

Aug. 4, 2015 (EM) 002748681-0004

Aug. 4, 2015 (EM) 002748681-0005

(51) **LOC (10) Cl.** **03-01**

(52) **U.S. Cl.**
USPC **D3/324**

(58) **Field of Classification Search**

USPC D3/232, 233, 237, 318, 322, 324, 325,
D3/327; D8/356; D11/86, 87, 93, 218,
D11/220, 238, 241

CPC .. A44C 5/18; A44C 5/20; A44C 5/185; A44C
5/2009; A44C 5/2014; A45C 13/10

See application file for complete search history.

(56) **References Cited**

U.S. PATENT DOCUMENTS

1,736,095 A * 11/1929 Schmidt A45C 13/06
150/110

1,782,665 A * 11/1930 Rosenband A45C 13/10
24/598.1

1,934,353 A * 11/1933 Jones A45C 13/10
24/645

D115,421 S 6/1939 Philip

D130,874 S * 12/1941 Levine D3/243

4,222,595 A * 9/1980 Schmidt A45C 13/10
24/627

D300,614 S * 4/1989 Geldwerth D11/216

(Continued)

OTHER PUBLICATIONS

Miu Miu, Handbag, From styledrops.com, Retrieved Sep. 20, 2006.

Primary Examiner — Susan E Krakower

Assistant Examiner — Lisa A Grabenstetter

(74) *Attorney, Agent, or Firm* — Fross Zelnick Lehrman
& Zissu, P.C.; Lawrence E. Apolzon, Esq.

(57) **CLAIM**

The ornamental design for a clasp for a handbag, as shown and described.

DESCRIPTION

FIG. 1 is an exploded front perspective view of a clasp for handbag, showing my new design;

FIG. 2 is a left side view thereof;

FIG. 3 is a right side view thereof;

FIG. 4 is a front view thereof;

FIG. 5 is a rear view thereof;

FIG. 6 is a top view thereof;

FIG. 7 is a bottom view thereof; and,

FIG. 8 is an unexploded front perspective view, shown in use.

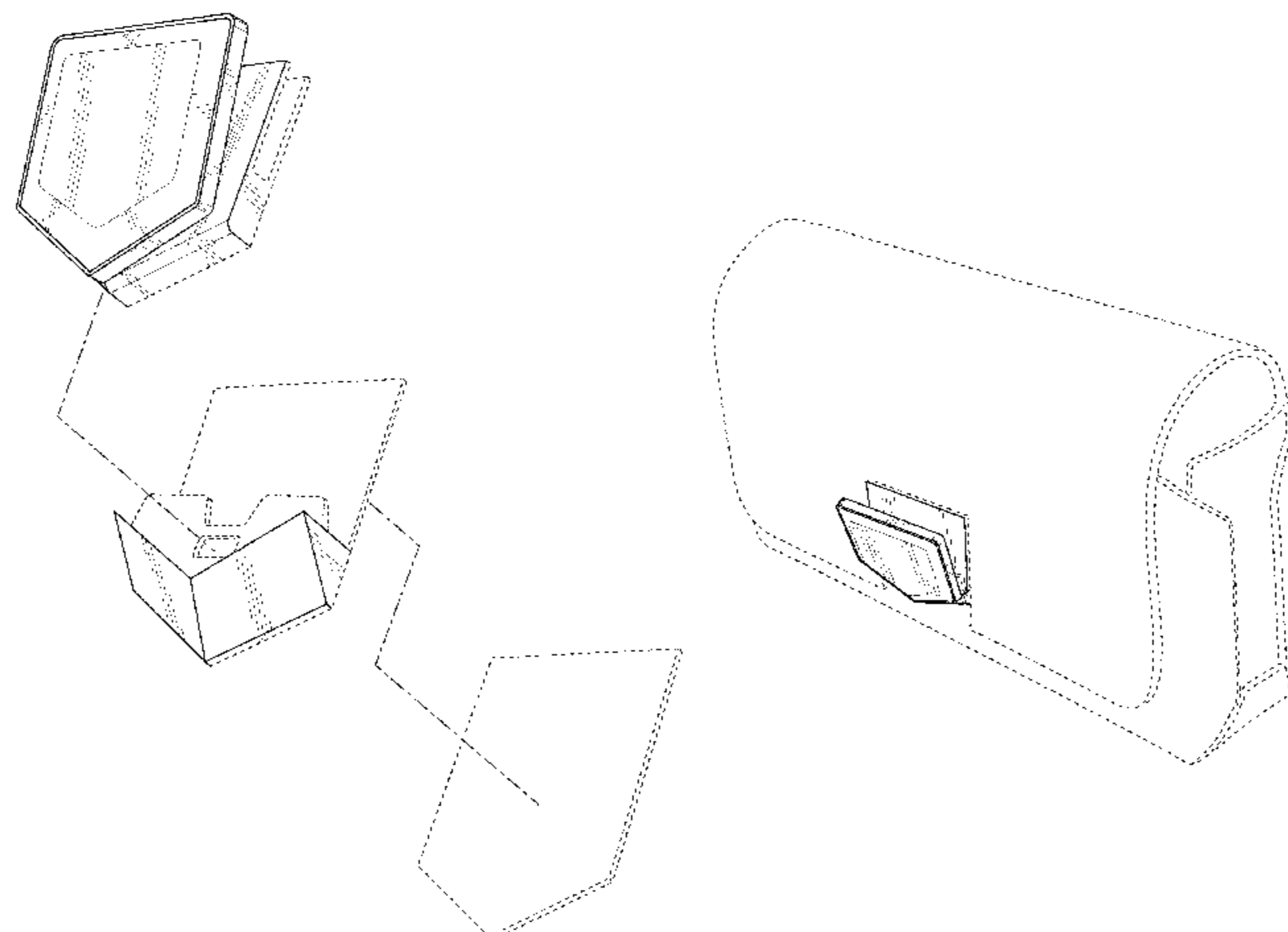
All of the material from the drawing FIG. 8-14 of the US patent application 29/552,724, included in the appendix, that is essential to the claimed design is included herein. Any material in US patent application 29/55,724 that is not present herein forms no part of the claimed design.

The dash-dash broken line drawings of the pin and other portions of the clasp depict unclaimed portions of the clasp for a handbag.

The dash-dash broken line drawings of a bag in FIG. 8 shows unclaimed environmental structure.

The dot-dash broken lines in FIG. 1-7 are for the purpose of illustrating the exploded views and form no part of the claimed design.

1 Claim, 7 Drawing Sheets



(56)

References Cited

U.S. PATENT DOCUMENTS

D324,771	S		3/1992	Dixsaut	
D342,923	S	*	1/1994	Kirk	D11/200
D368,672	S	*	4/1996	Goeden	D11/200
D451,677	S	*	12/2001	Kim	D3/324
6,338,260	B1	*	1/2002	Cousins	A45C 13/10
					190/120
D471,716	S	*	3/2003	Wolf	D3/318
D492,479	S		7/2004	Hanley	
D520,242	S	*	5/2006	Gonzalez	D3/323
D521,239	S	*	5/2006	Moon	D3/324
D533,719	S	*	12/2006	Spade	D3/324
D558,979	S	*	1/2008	Wu	D3/318
D560,362	S	*	1/2008	Watanabe	D3/324
D572,485	S	*	7/2008	Gonzalez	D3/318
D593,845	S	*	6/2009	Boyko	D8/356
D595,506	S	*	7/2009	Hacker	D3/318
D647,424	S	*	10/2011	Kolasa	D11/218
D655,583	S		3/2012	Palazzolo	
D674,193	S	*	1/2013	Saavedra	D3/322
D674,194	S	*	1/2013	Saavedra	D3/322
D715,178	S	*	10/2014	Venturini Fendi	A44C 5/00
					D11/87
D715,552	S	*	10/2014	Kuster	D3/318
2011/0185768	A1	*	8/2011	Pinchuk	A44C 5/18
					63/3.1

* cited by examiner

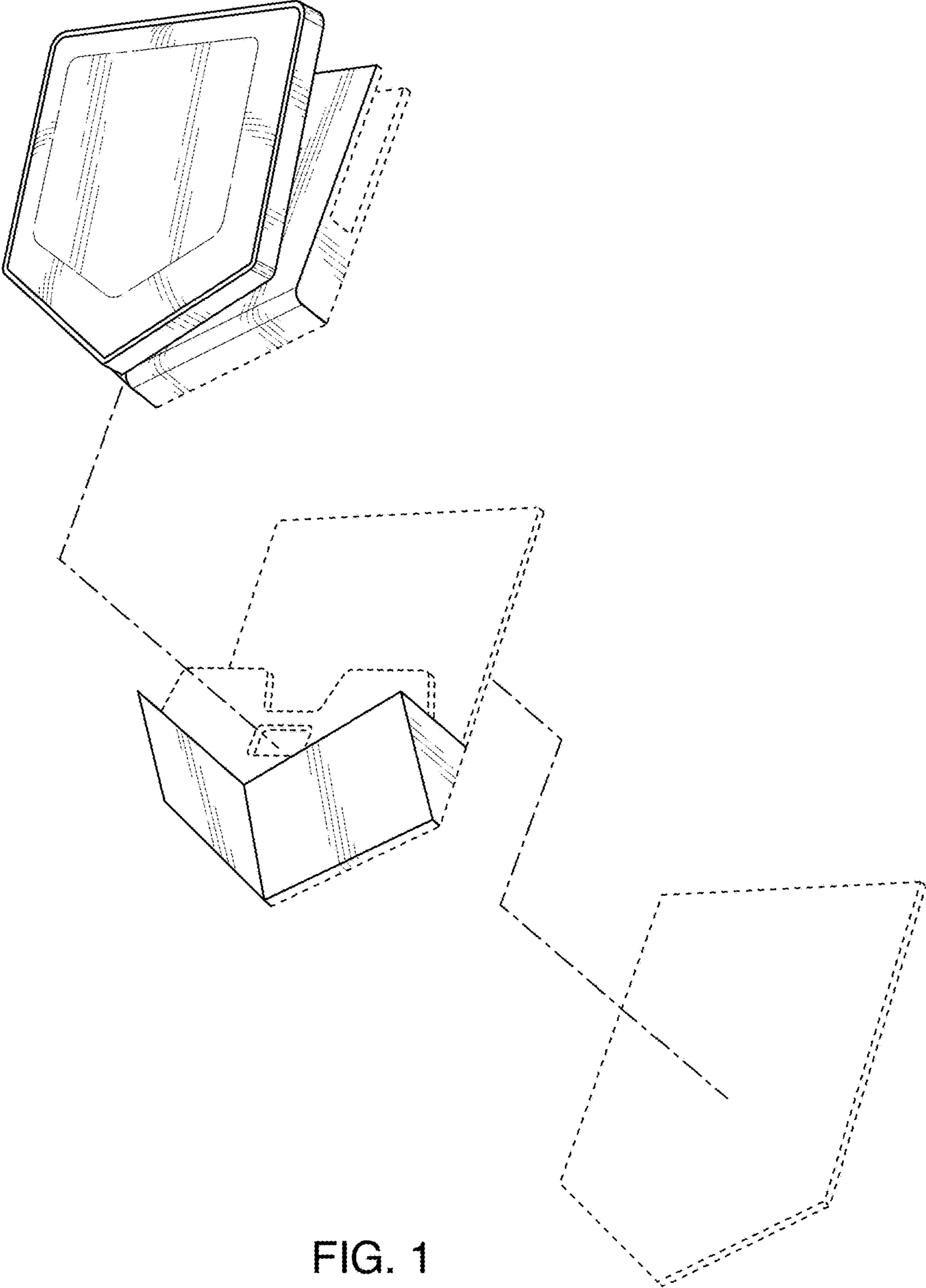


FIG. 1

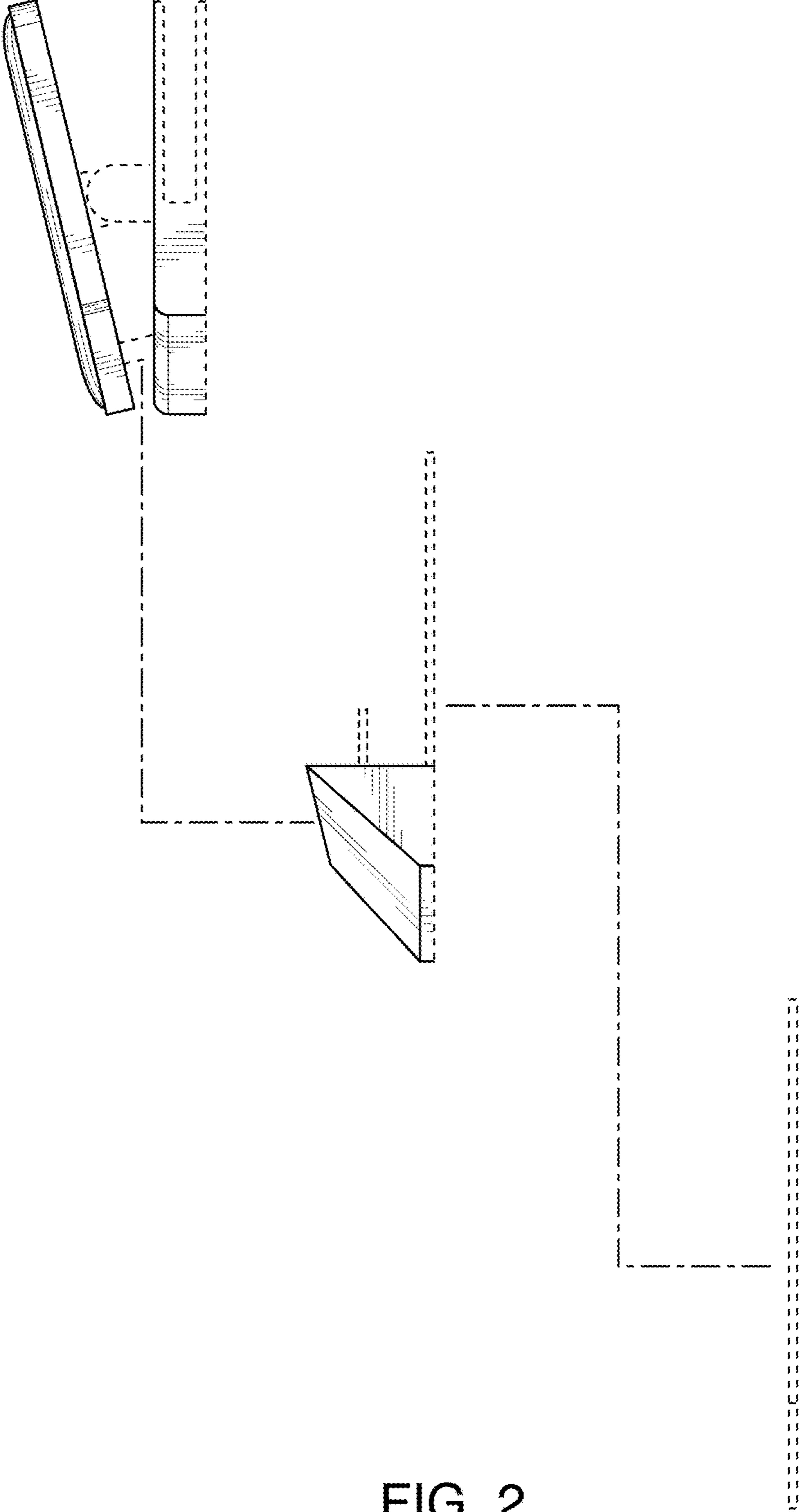


FIG. 2

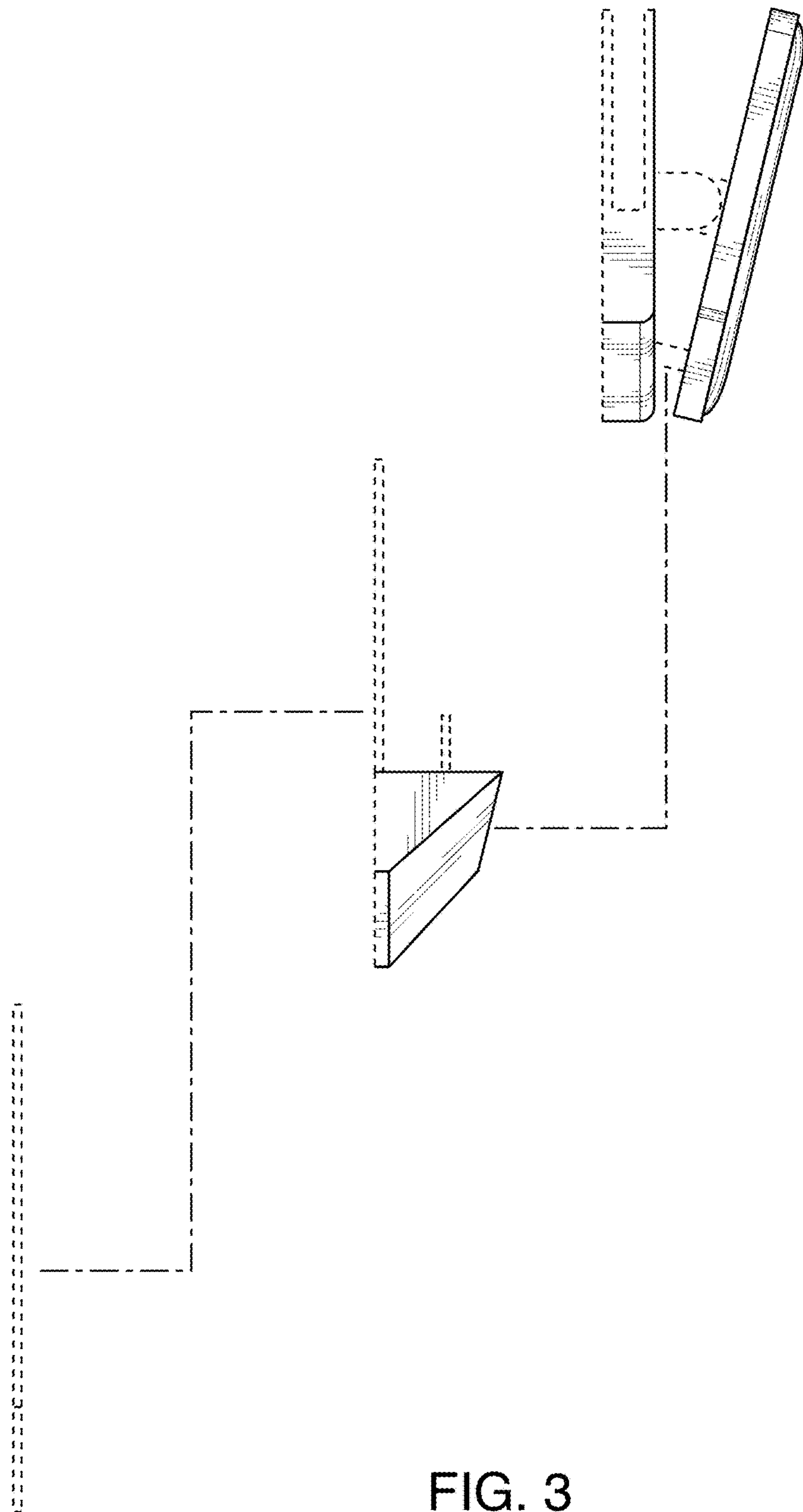


FIG. 3

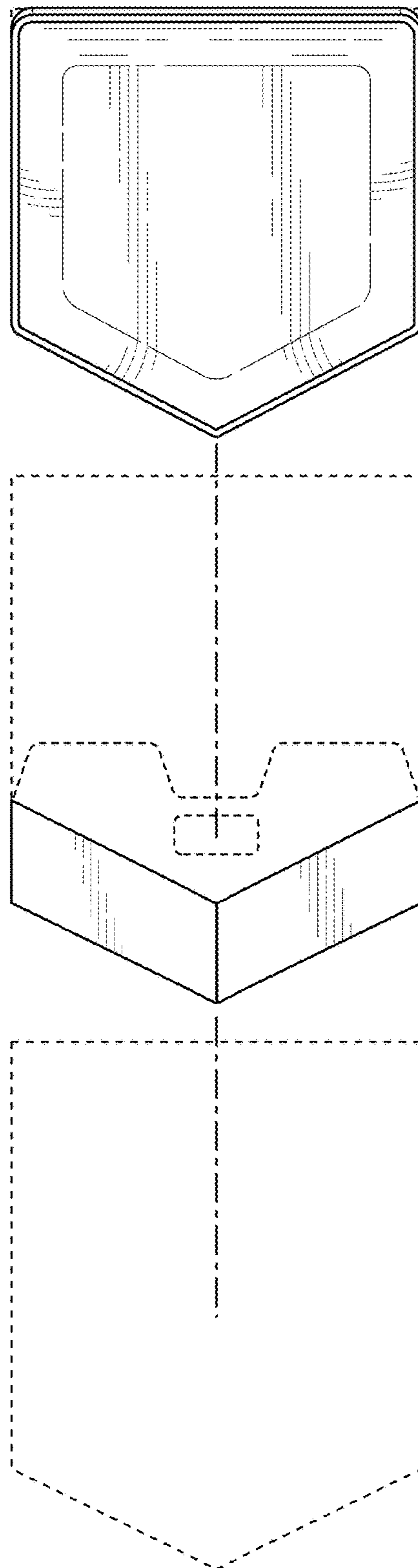


FIG. 4

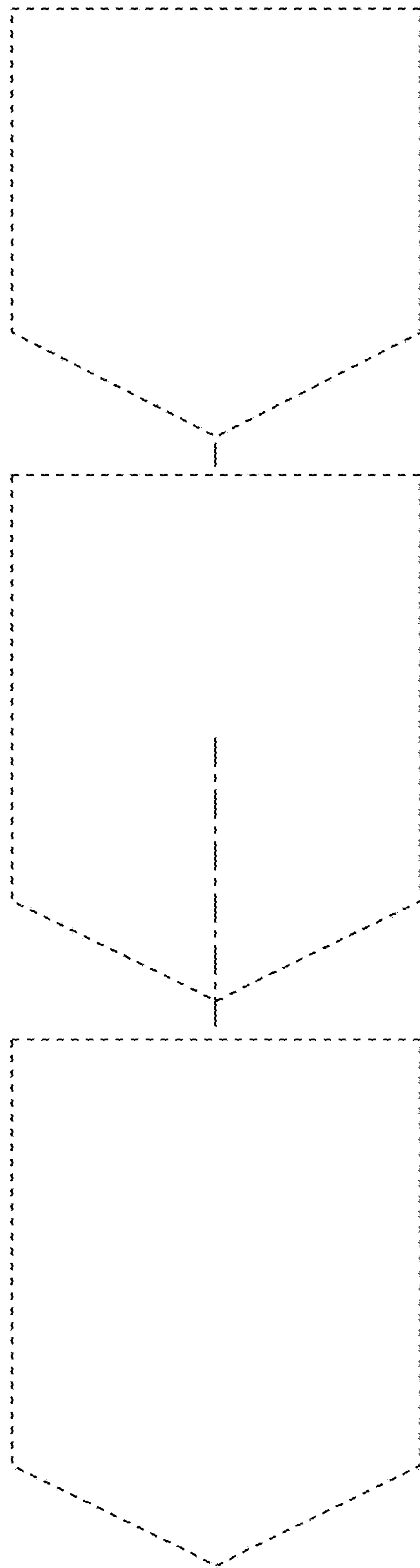


FIG. 5

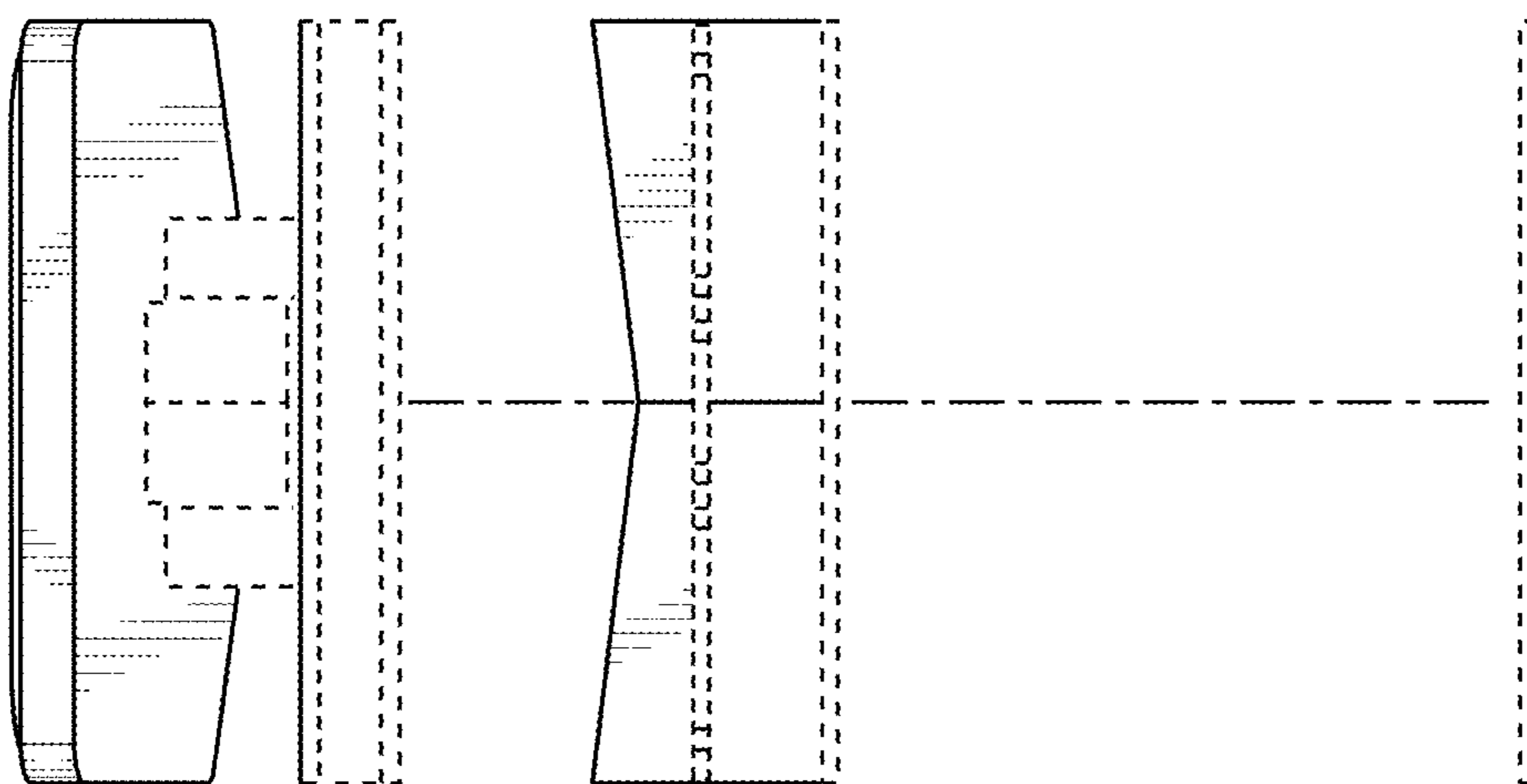


FIG. 6

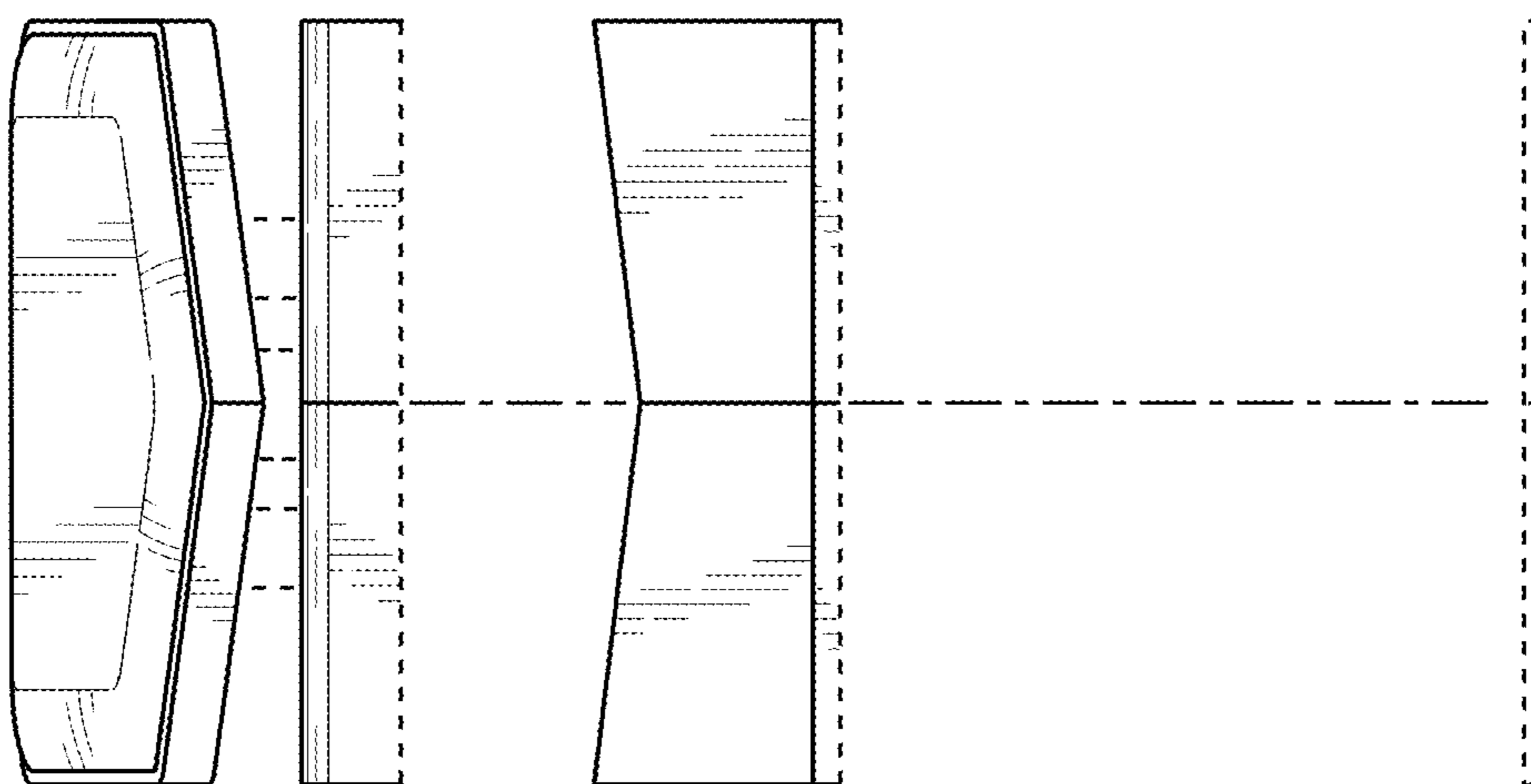


FIG. 7

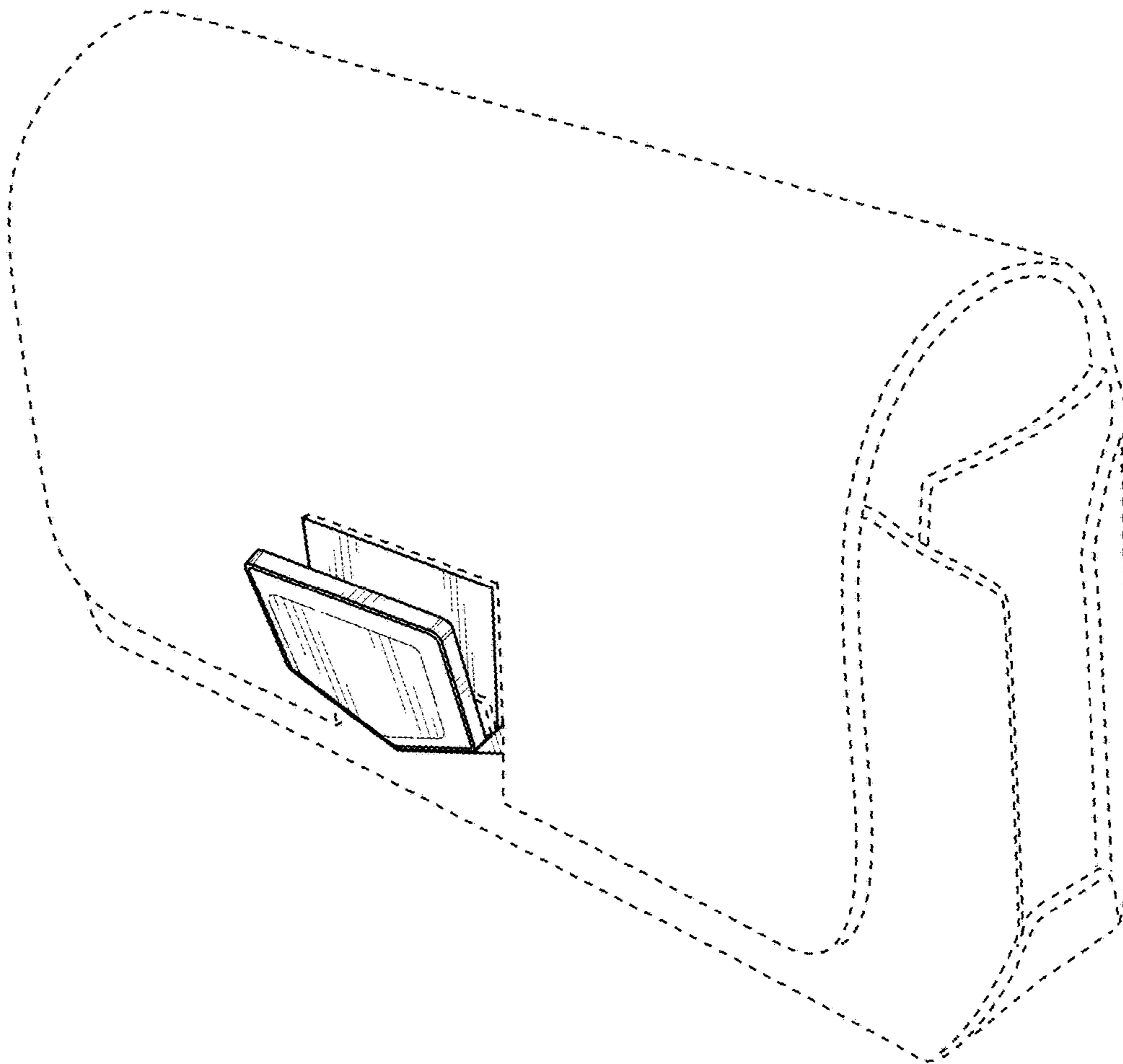


FIG. 8