



US00D789691S

(12) **United States Design Patent**
Burns

(10) **Patent No.:** **US D789,691 S**

(45) **Date of Patent:** **** Jun. 20, 2017**

(54) **LUGGAGE**

(71) Applicant: **Samsonite IP Holdings S.a r.l.**,
Luxembourg (LU)

(72) Inventor: **Peter John Burns**, Causeway Bay
(HK)

(73) Assignee: **Samsonite IP Holdings S. a.r.l.**,
Luxembourg (LU)

(**) Term: **15 Years**

(21) Appl. No.: **29/561,656**

(22) Filed: **Apr. 19, 2016**

(30) **Foreign Application Priority Data**

Aug. 19, 2015 (HK) 1501838.5M002

(51) **LOC (10) Cl.** **03-01**

(52) **U.S. Cl.**
USPC **D3/318**

(58) **Field of Classification Search**
USPC D3/285, 289, 294, 318
CPC .. A45C 7/00; A45C 5/14; A45C 13/28; A45C
5/03

See application file for complete search history.

(56) **References Cited**

U.S. PATENT DOCUMENTS

1,649,292 A	11/1927	Draper
3,044,215 A	7/1962	Crousore
3,313,382 A	4/1967	Rosing et al.
D218,080 S	7/1970	Sierzega
D249,234 S	9/1978	Limon et al.
4,113,095 A	9/1978	Dietz et al.
D299,589 S	1/1989	Uchiyama
5,379,870 A	1/1995	Sadow
5,407,038 A	4/1995	Pedlar
D360,756 S	8/1995	King

D375,199 S	11/1996	Stokes et al.
D383,603 S	9/1997	Pedlar
D383,905 S	9/1997	Stokes et al.
5,685,403 A	11/1997	Morszeck
5,924,533 A	7/1999	Cnockaert et al.
D425,301 S	5/2000	Sagol
D435,967 S	1/2001	Tiramani et al.
D438,381 S	3/2001	Sijmons
6,345,709 B1	2/2002	Cheng
D454,430 S	3/2002	Sijmons
6,367,603 B1	4/2002	Tiramani et al.
D462,169 S	9/2002	Giovanni

(Continued)

FOREIGN PATENT DOCUMENTS

CN	2904733 Y	5/2007
CN	201175054 Y	1/2009

(Continued)

Primary Examiner — Holly Baynham

(74) *Attorney, Agent, or Firm* — Dorsey & Whitney LLP

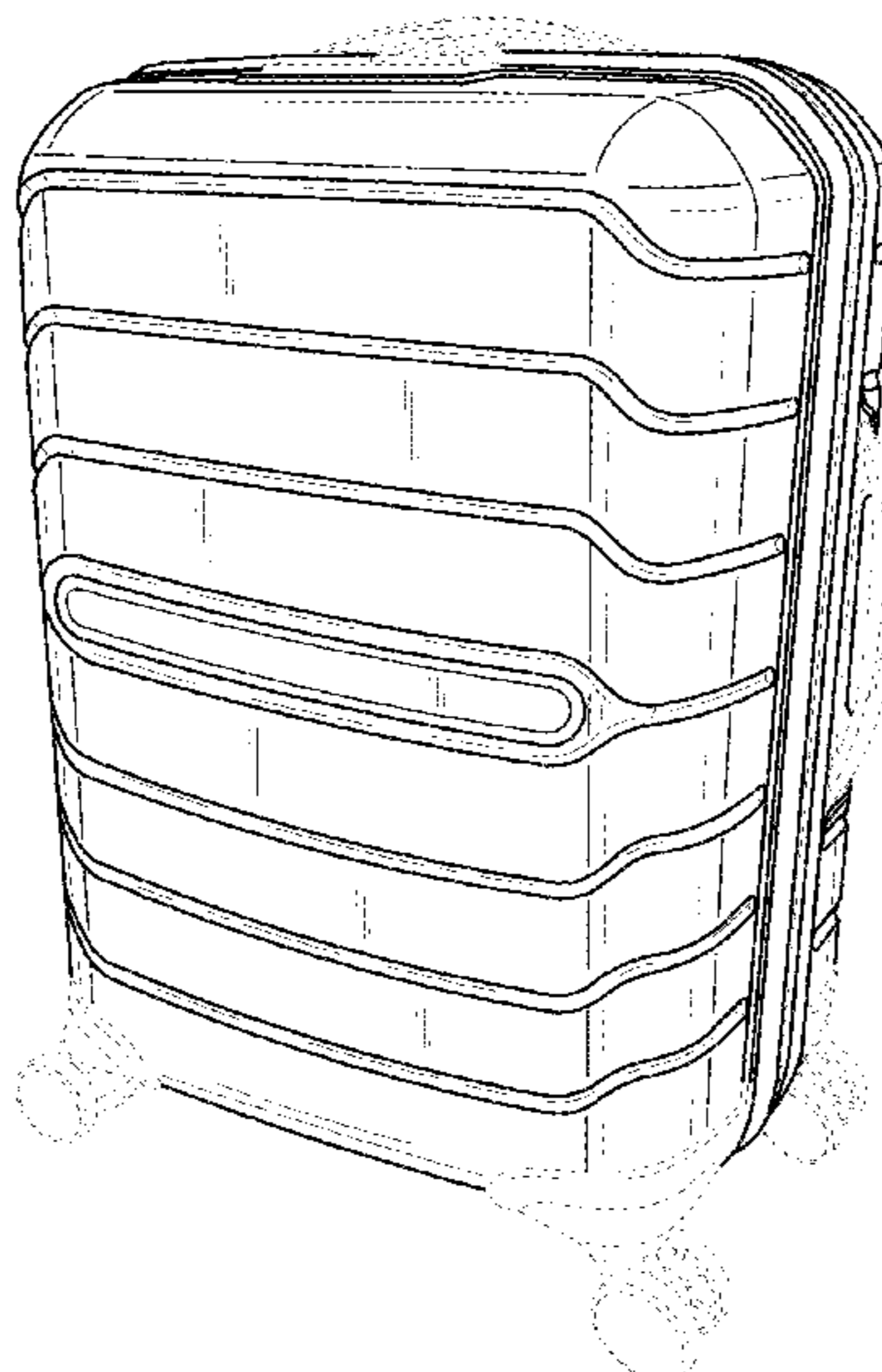
(57) **CLAIM**

The ornamental design for a luggage, as shown and described.

DESCRIPTION

FIG. 1 shows a front perspective view of a luggage;
FIG. 2 shows a front elevation view of the luggage of FIG. 1;
FIG. 3 shows a rear elevation view of the luggage of FIG. 1;
FIG. 4 shows a right elevation view of the luggage of FIG. 1;
FIG. 5 shows a left elevation view of the luggage of FIG. 1;
FIG. 6 shows a top view of the luggage of FIG. 1; and,
FIG. 7 shows a bottom view of the luggage of FIG. 1.
The broken lines in FIGS. 1-7 illustrate the environment of the luggage and form no part of the claimed invention.

1 Claim, 7 Drawing Sheets



(56)

References Cited

U.S. PATENT DOCUMENTS

6,499,575 B1 12/2002 Tsai
 6,533,086 B1 3/2003 Waddell et al.
 D472,705 S 4/2003 Van Himbeeck
 6,627,271 B1 9/2003 Okazaki
 D512,566 S 12/2005 Nuovo et al.
 D525,031 S 7/2006 Miles et al.
 7,143,878 B2 12/2006 Selvi
 D540,036 S 4/2007 Newson
 D540,540 S 4/2007 Szyf et al.
 7,293,649 B2 11/2007 Gelpman et al.
 D563,101 S 3/2008 Kuchler et al.
 D581,666 S 12/2008 Sijmons
 D582,160 S 12/2008 Sijmons
 D587,902 S * 3/2009 Yoneno D3/279
 D613,054 S 4/2010 Morszeck
 D627,162 S 11/2010 Weng
 7,832,533 B2 11/2010 Selvi
 D629,199 S 12/2010 Minneman
 D629,200 S 12/2010 Turella-Yuan et al.
 D633,716 S 3/2011 Turella-Yuan et al.
 D639,555 S 6/2011 Moon
 D642,379 S 8/2011 Buller
 D644,434 S 9/2011 Miles et al.
 D644,435 S 9/2011 Weng
 D659,395 S 5/2012 Sijmons
 D664,355 S 7/2012 Moon
 D665,998 S 8/2012 Sijmons
 8,663,531 B2 3/2014 De Taeye et al.
 D709,696 S 7/2014 Wu
 D710,610 S 8/2014 Sijmons et al.
 D711,104 S 8/2014 Lai
 D711,646 S 8/2014 Ke
 D711,649 S 8/2014 Chen
 8,800,807 B2 8/2014 Alvares
 D718,048 S 11/2014 Hsu
 D718,049 S 11/2014 Hsu
 D720,928 S 1/2015 Roncato
 D722,771 S * 2/2015 Wu D3/279
 D732,823 S 6/2015 Baron
 D740,557 S 10/2015 Liao
 D740,558 S 10/2015 Liao
 D741,600 S * 10/2015 Della Vecchia D3/318
 D755,518 S 5/2016 Sijmons
 D768,985 S 10/2016 Morszeck
 2004/0188205 A1 9/2004 Badaan
 2005/0056511 A1 3/2005 Hsieh
 2005/0183579 A1 8/2005 Bowers
 2006/0201764 A1 9/2006 Morszeck
 2007/0209894 A1 9/2007 Selvi

2007/0237920 A1 10/2007 Schoulz
 2007/0296117 A1 12/2007 Taeye et al.
 2008/0223678 A1 9/2008 Godshaw et al.
 2008/0308568 A1 12/2008 Grenier et al.
 2011/0016018 A1 1/2011 Smith et al.
 2011/0147386 A1 6/2011 Whalen et al.
 2011/0155526 A1 6/2011 Cheng
 2011/0186396 A1 8/2011 Sheikh
 2011/0186398 A1 8/2011 Sheikh
 2011/0284334 A1 11/2011 Cheng
 2016/0051022 A1 2/2016 Morszeck

FOREIGN PATENT DOCUMENTS

CN 202698065 U 1/2013
 EM 000425285-0007 10/2005
 EM 000615984-0001 11/2006
 EM 000709019-0001 4/2007
 EM 000945175-0001 6/2008
 EM 000951454-0001 6/2008
 EM 001003255-0001 9/2008
 EM 001045520-0001 11/2008
 EM 001651191-0001 12/2009
 EM 001212856-0001 4/2010
 EM 001236632-0001 9/2010
 EM 001236632-0002 9/2010
 EM 001236996-0001 9/2010
 EM 001947789-0003 11/2011
 EM 001988460-0001 2/2012
 EM 002136127-0003 11/2012
 EM 002136127-0004 11/2012
 EM 002229815-0001 4/2013
 EM 002310292-0005 10/2013
 EM 002319996-0001 10/2013
 EM 002344622-0002 11/2013
 EM 002454595-0001 4/2014
 EM 002454595-0002 4/2014
 EM 002576728-0001 11/2014
 EM 002576728-0012 11/2014
 EM 002576728-0013 11/2014
 EM 002619155-0001 1/2015
 EM 002649558-0001 3/2015
 EM 002684860-0001 4/2015
 EM 002821082-0006 10/2015
 EM 002872192-0003 11/2015
 EM 002990390-0001 2/2016
 EM 003118371-0002 9/2016
 EP 0106906 A1 5/1984
 HK 1502398.1M006 11/2015
 TW 277816 A 6/1996

* cited by examiner

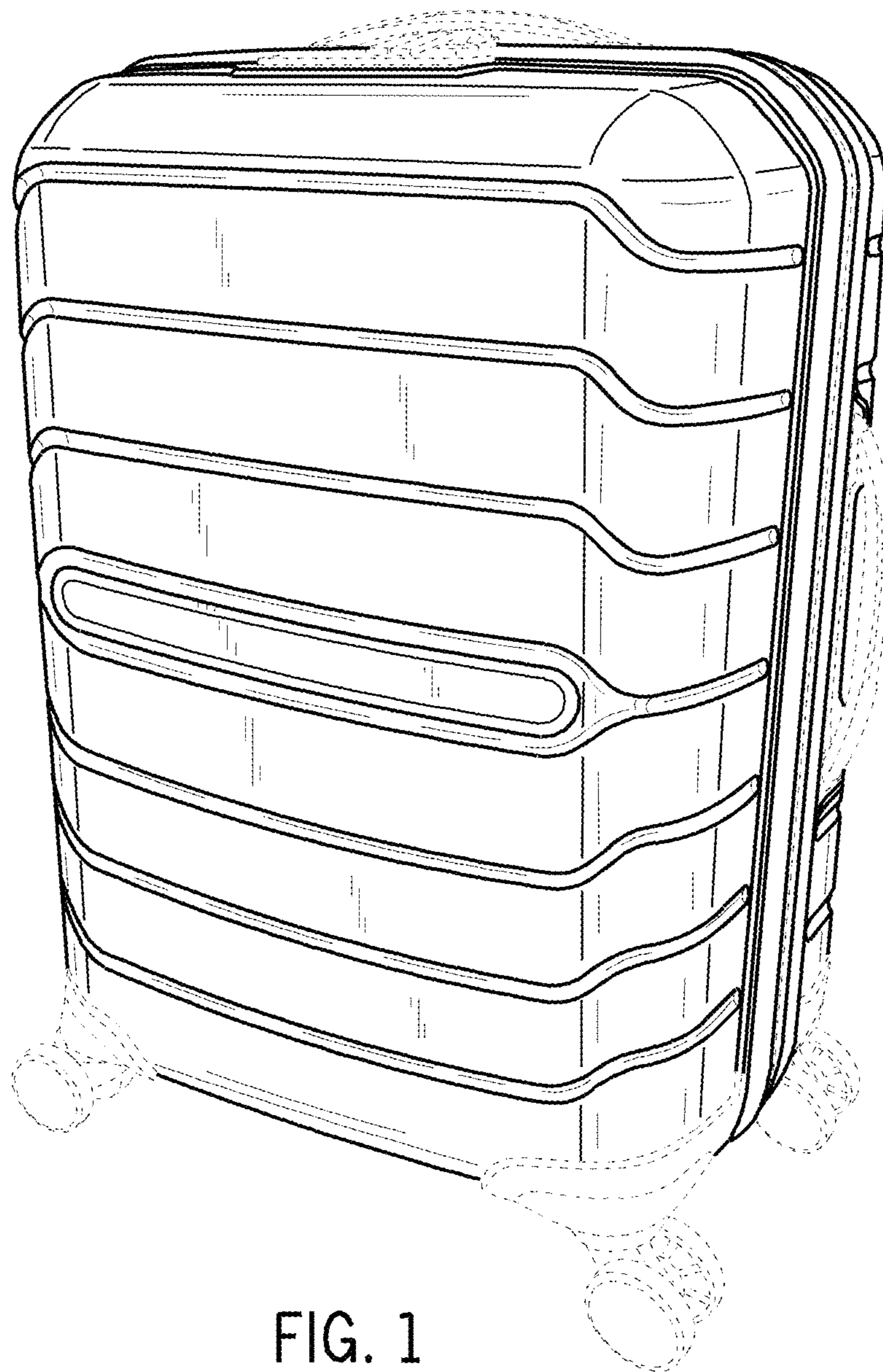


FIG. 1

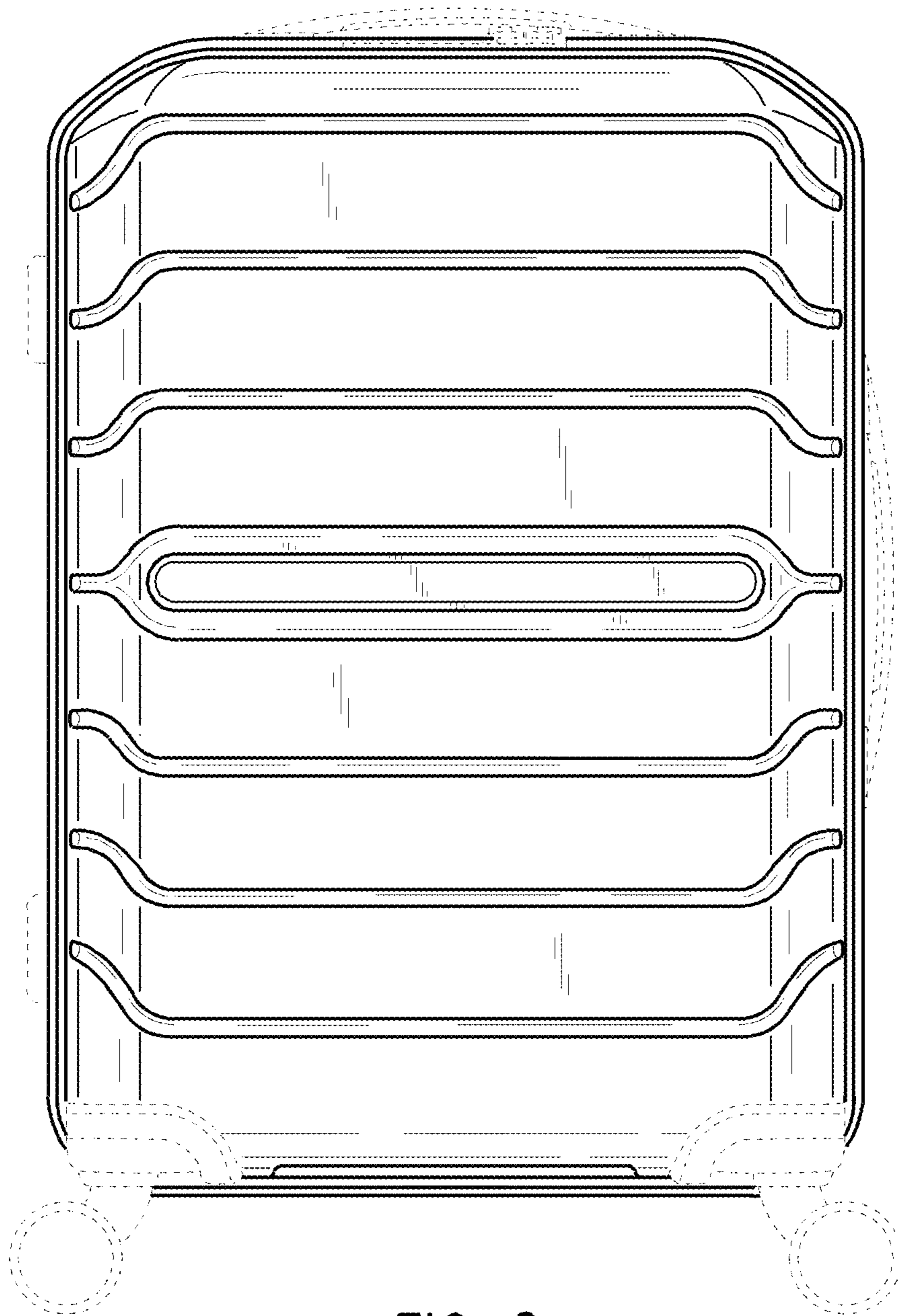


FIG. 2

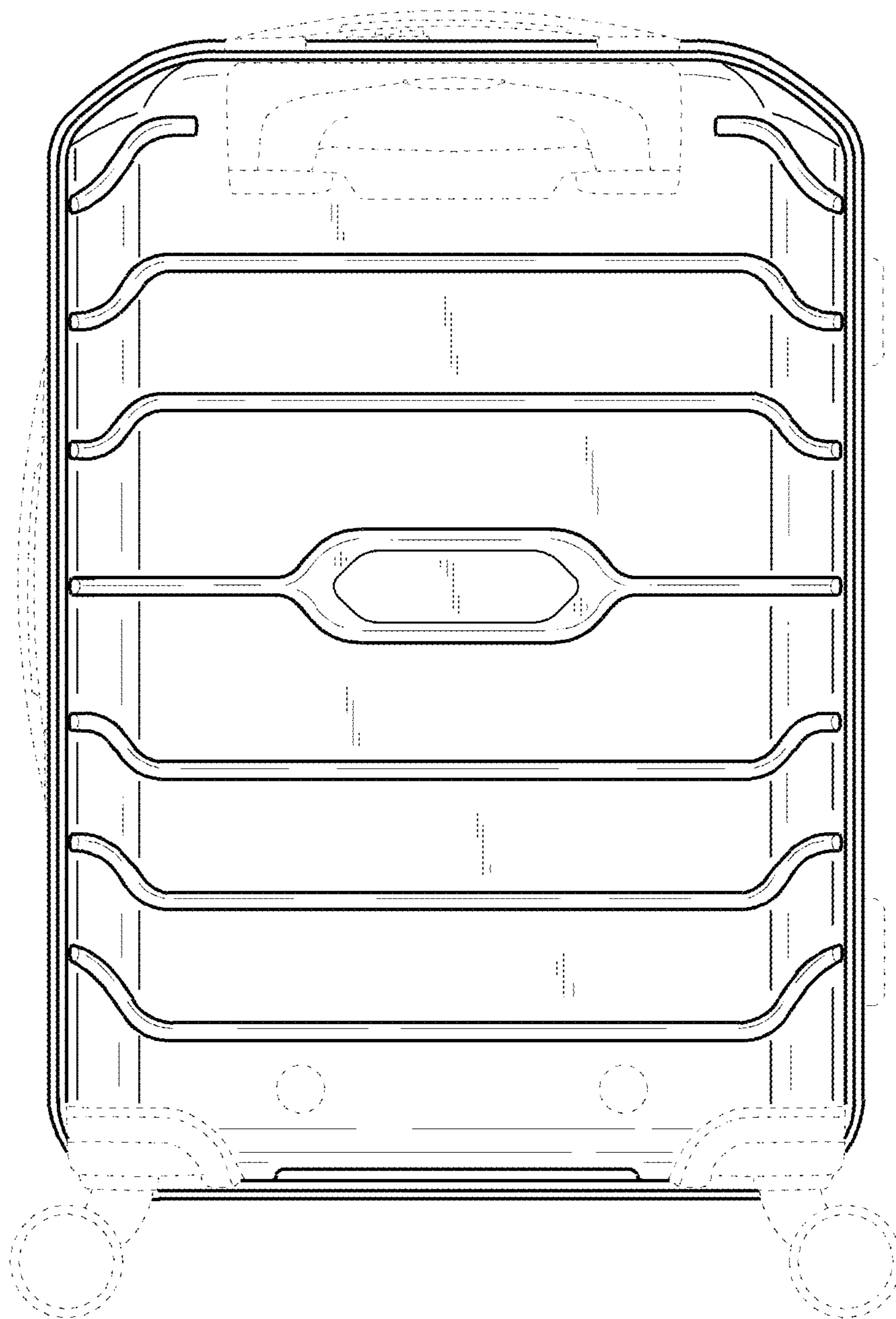


FIG. 3

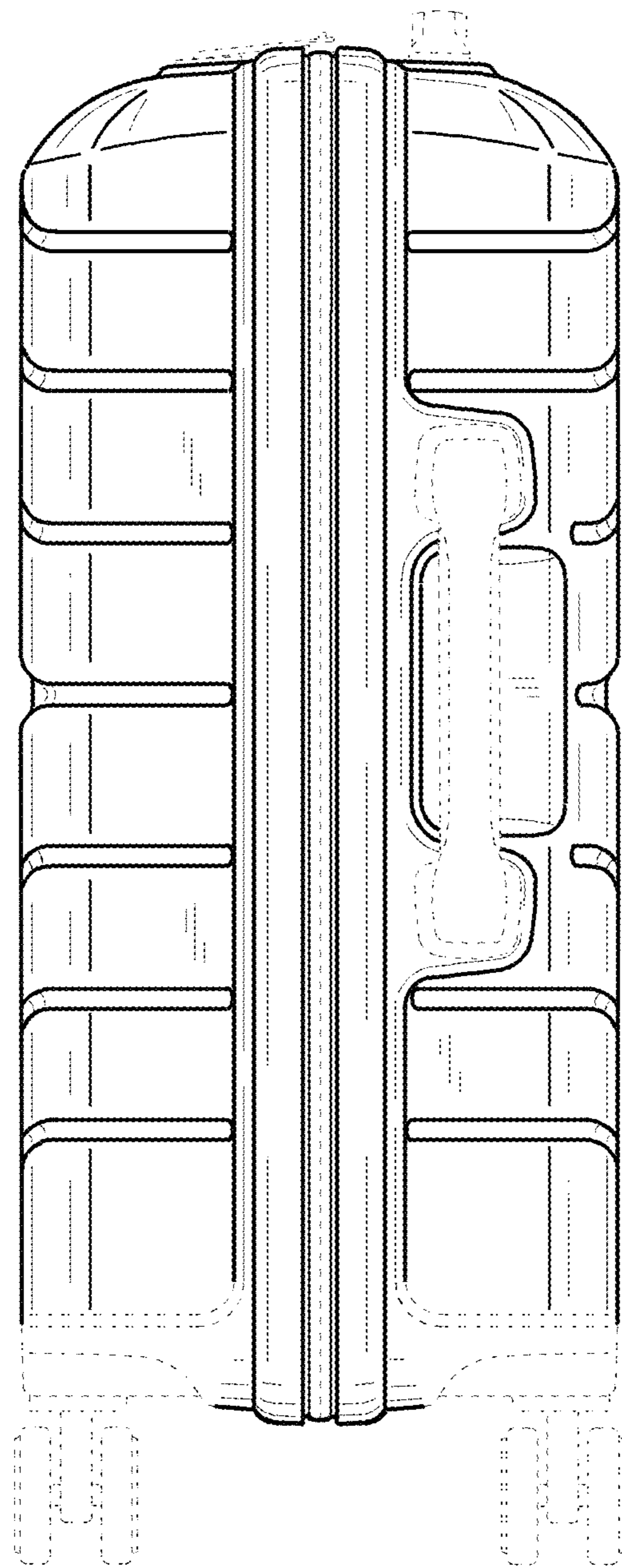


FIG. 4

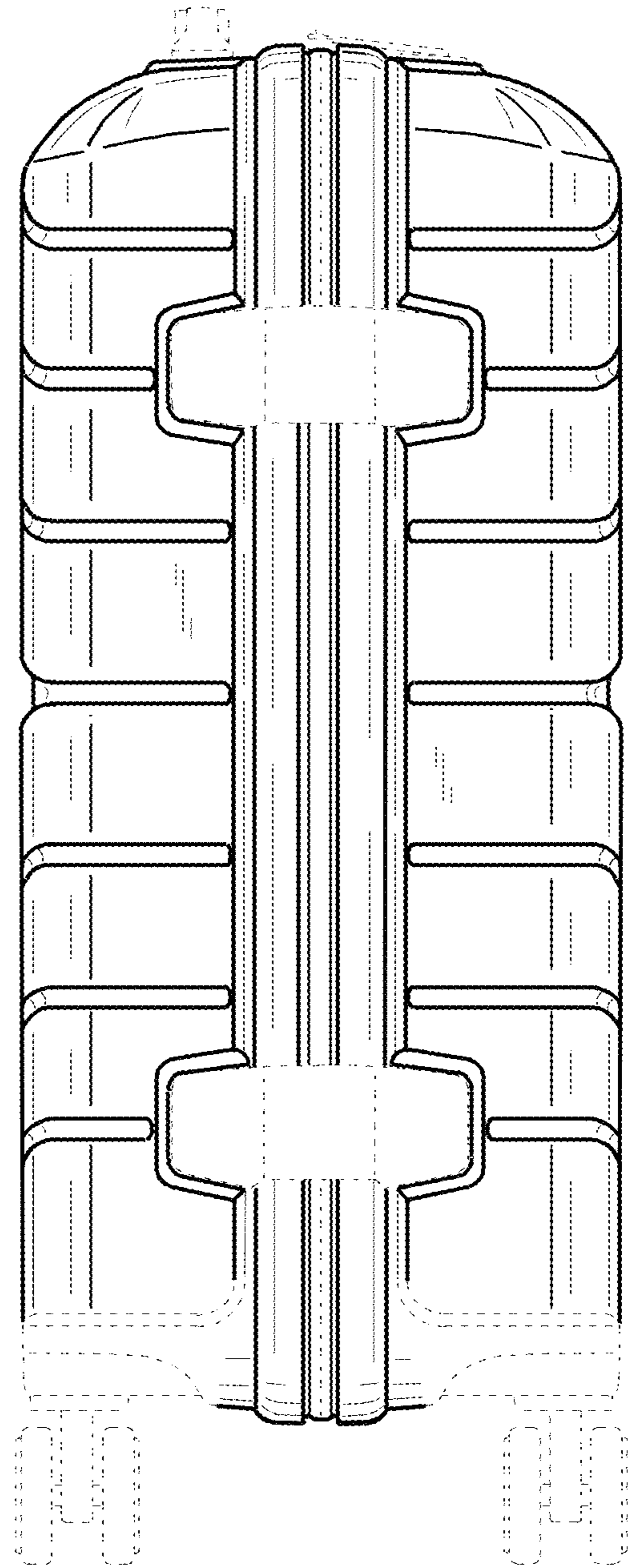


FIG. 5

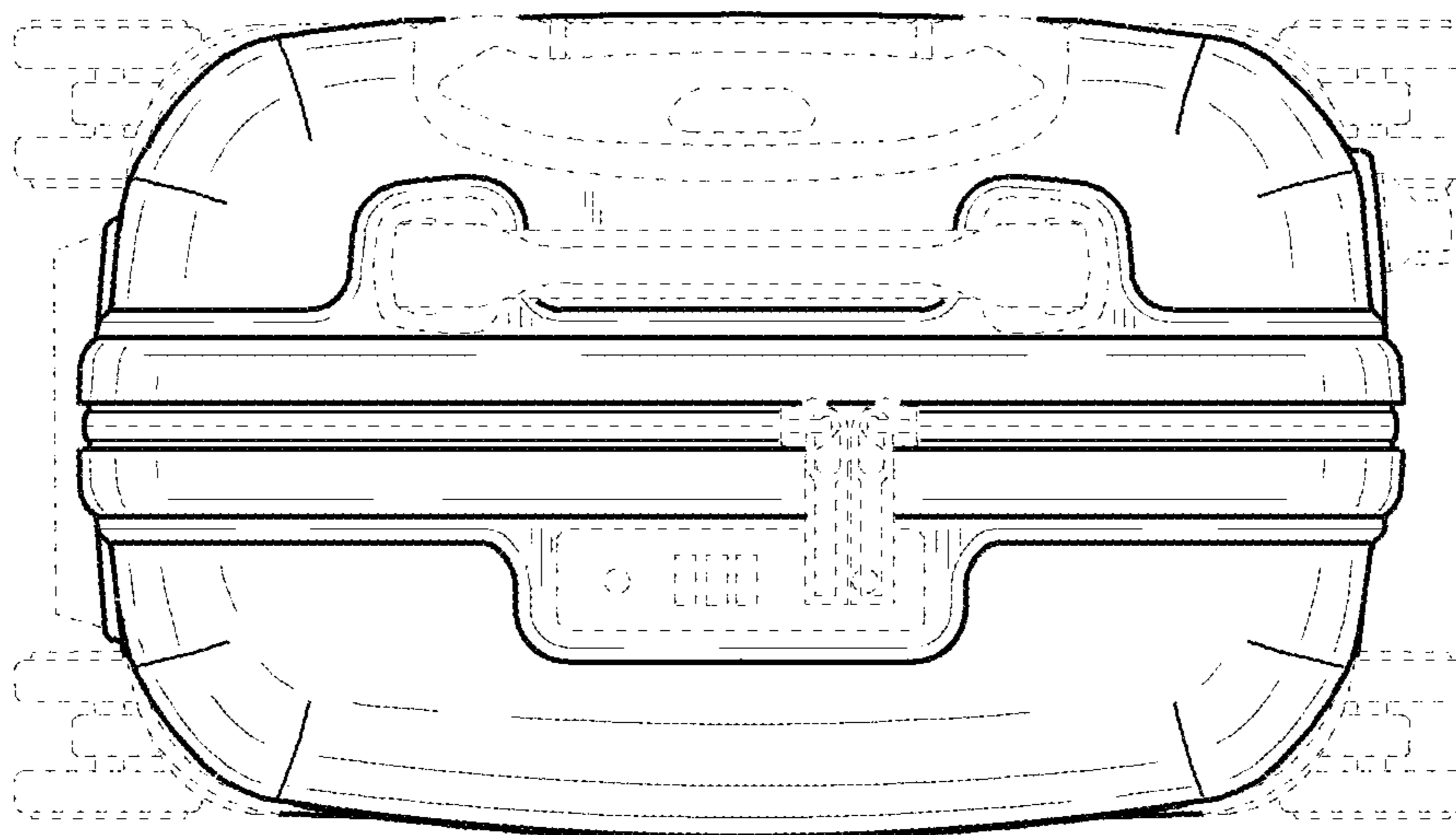


FIG. 6

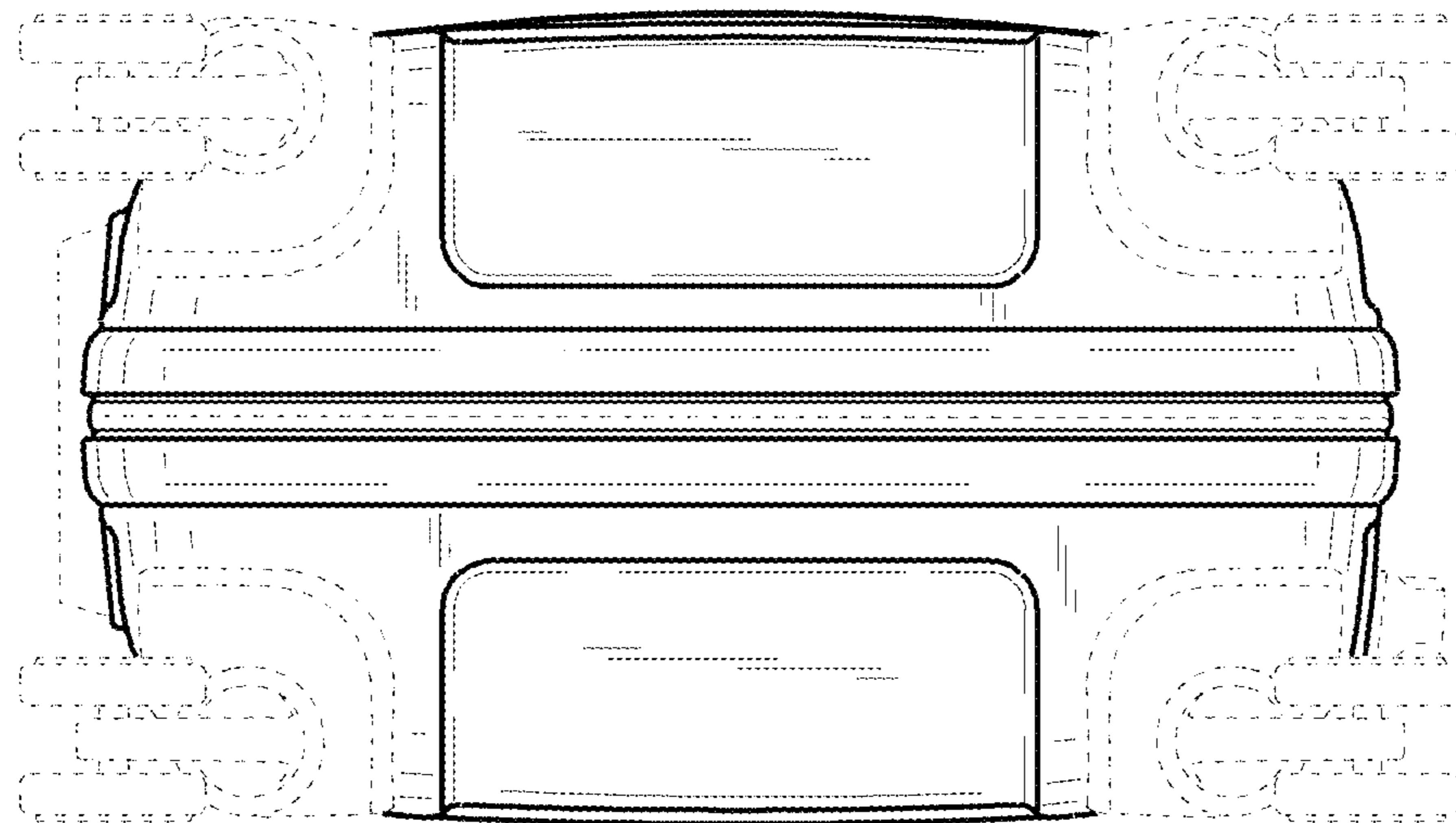


FIG. 7