



US00D789690S

(12) **United States Design Patent** (10) **Patent No.:** **US D789,690 S**
Foley et al. (45) **Date of Patent:** **** Jun. 20, 2017**

(54) **STORAGE CONTAINER**

D751,726 S * 3/2016 Nishioka D24/229

(71) Applicant: **DEFLECTO, LLC**, Indianapolis, IN (US)

* cited by examiner

(72) Inventors: **Patrick Foley**, Fishers, IN (US);
Danielle N. Rodgers, Indianapolis, IN (US); **Christopher Stuart**, Noblesville, IN (US); **James DeChant**, Carmel, IN (US)

Primary Examiner — Kelley Donnelly

(74) *Attorney, Agent, or Firm* — Dentons US LLP; Brian R. McGinley

(**) Term: **15 Years**

(57) **CLAIM**

The ornamental design for a storage container, as shown and described.

(21) Appl. No.: **29/550,442**

(22) Filed: **Jan. 4, 2016**

DESCRIPTION

(51) **LOC (10) Cl.** **03-01**

(52) **U.S. Cl.**

USPC **D3/310**

(58) **Field of Classification Search**

USPC D3/303–315, 318–319, 328; D7/600.1, D7/601–602, 701

CPC B65D 1/00; B65D 1/34; B65D 1/36

See application file for complete search history.

(56) **References Cited**

U.S. PATENT DOCUMENTS

6,039,205	A	*	3/2000	Flink	B65D 1/38
						206/520
D522,751	S	*	6/2006	Irwin	D3/315
D541,531	S	*	5/2007	Leao	D3/308
D614,404	S	*	4/2010	Brunner	D3/304
D649,786	S	*	12/2011	Lipfert	D3/308
D688,589	S	*	8/2013	Hung	D11/148
D690,939	S	*	10/2013	Lintz	D3/313
D704,935	S	*	5/2014	Lintz	D3/308
D725,910	S	*	4/2015	Sampaio	B65D 21/0209
						D3/315

FIG. 1 is a top perspective view of a storage container illustrating a new design;

FIG. 2 is top view of the storage container of FIG. 1 illustrating the new design;

FIG. 3 is a bottom view of the storage container of FIG. 1 illustrating the new design;

FIG. 4 is a front view of the first embodiment of the storage container of FIG. 1 illustrating the new design, where the rear view is a mirror image of the front view;

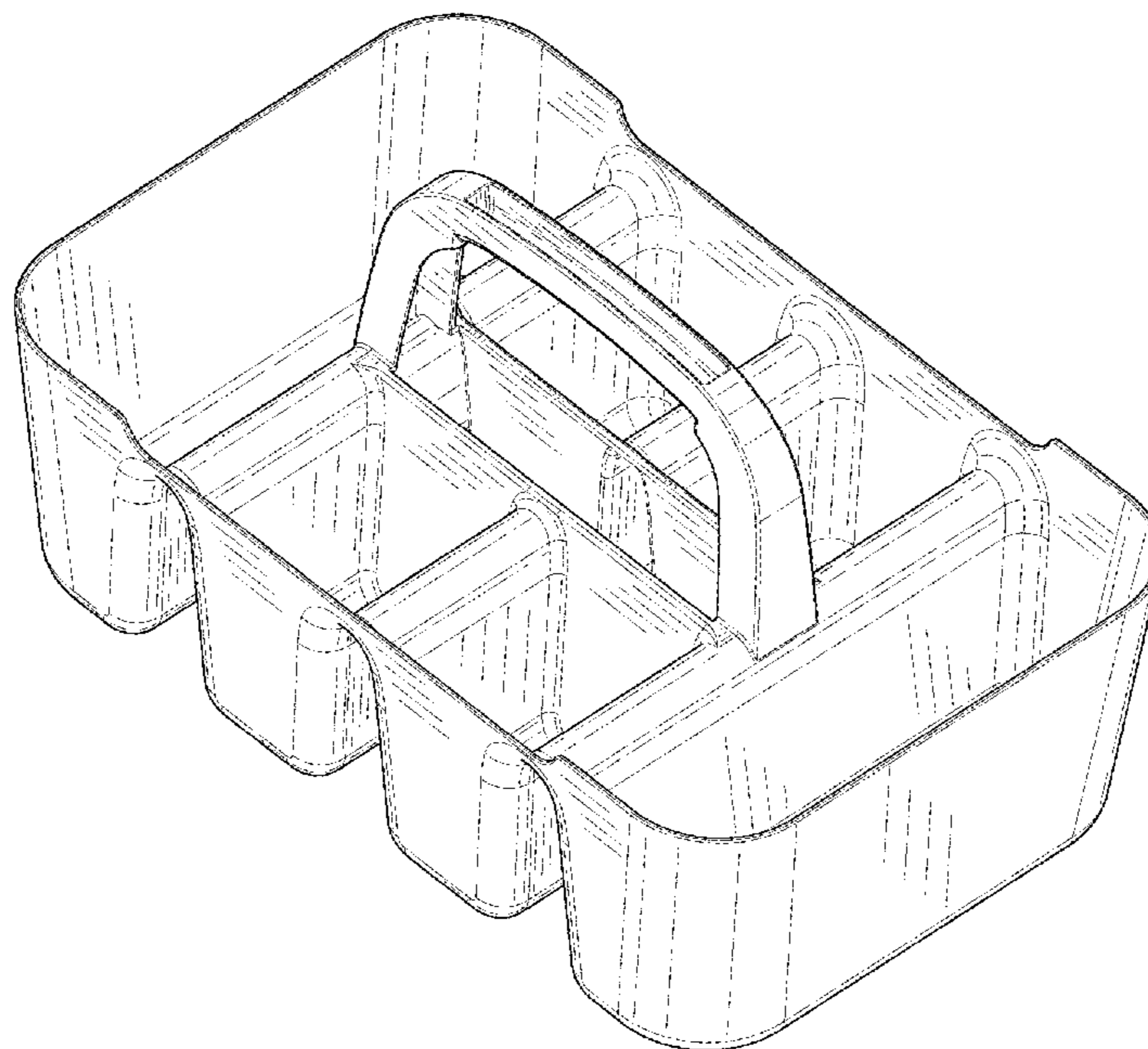
FIG. 5 is a left-side view of the first embodiment of the storage container of FIG. 1 illustrating the new design, where the right-side view is a mirror image of the front view;

FIG. 6 is a top perspective view of the storage container of FIG. 1 illustrating the new design where two storage containers are nested; and,

FIG. 7 is a top perspective view of the storage container of FIG. 1 illustrating the new design where two storage containers are stacked.

The broken lines are for the purpose of illustrating the environment of the article only and form no part of the claimed design.

1 Claim, 7 Drawing Sheets



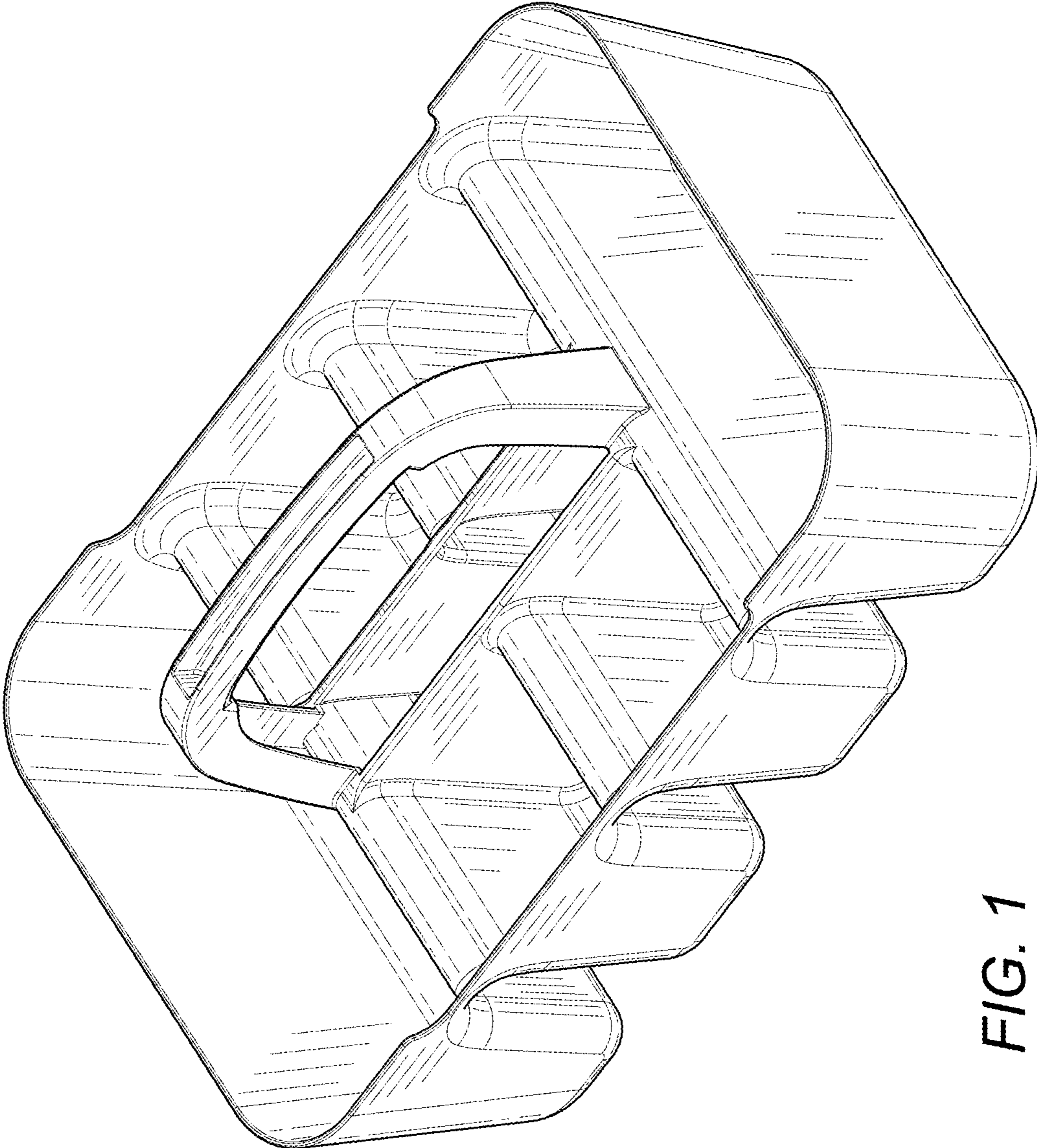


FIG. 1

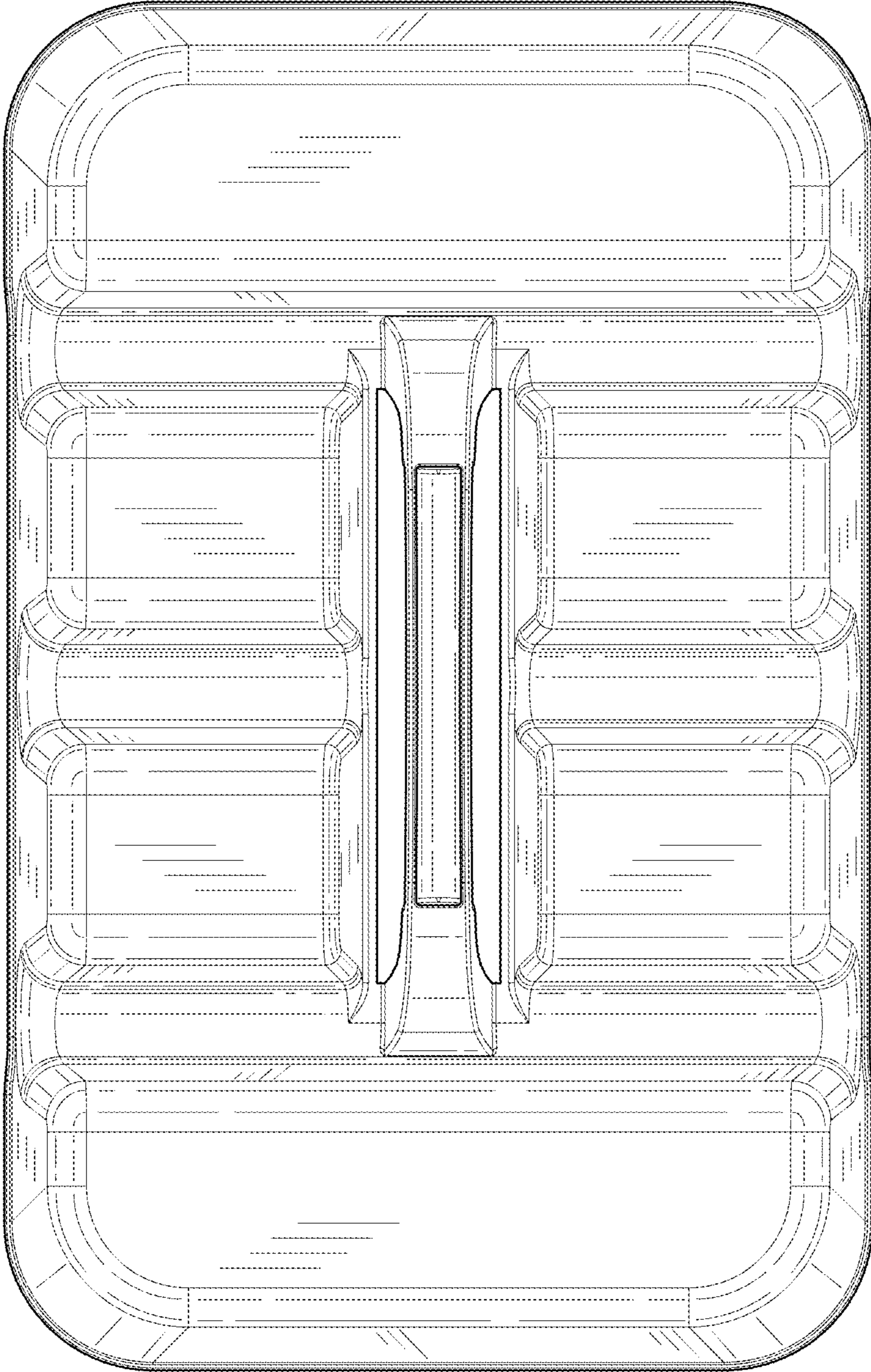


FIG. 2

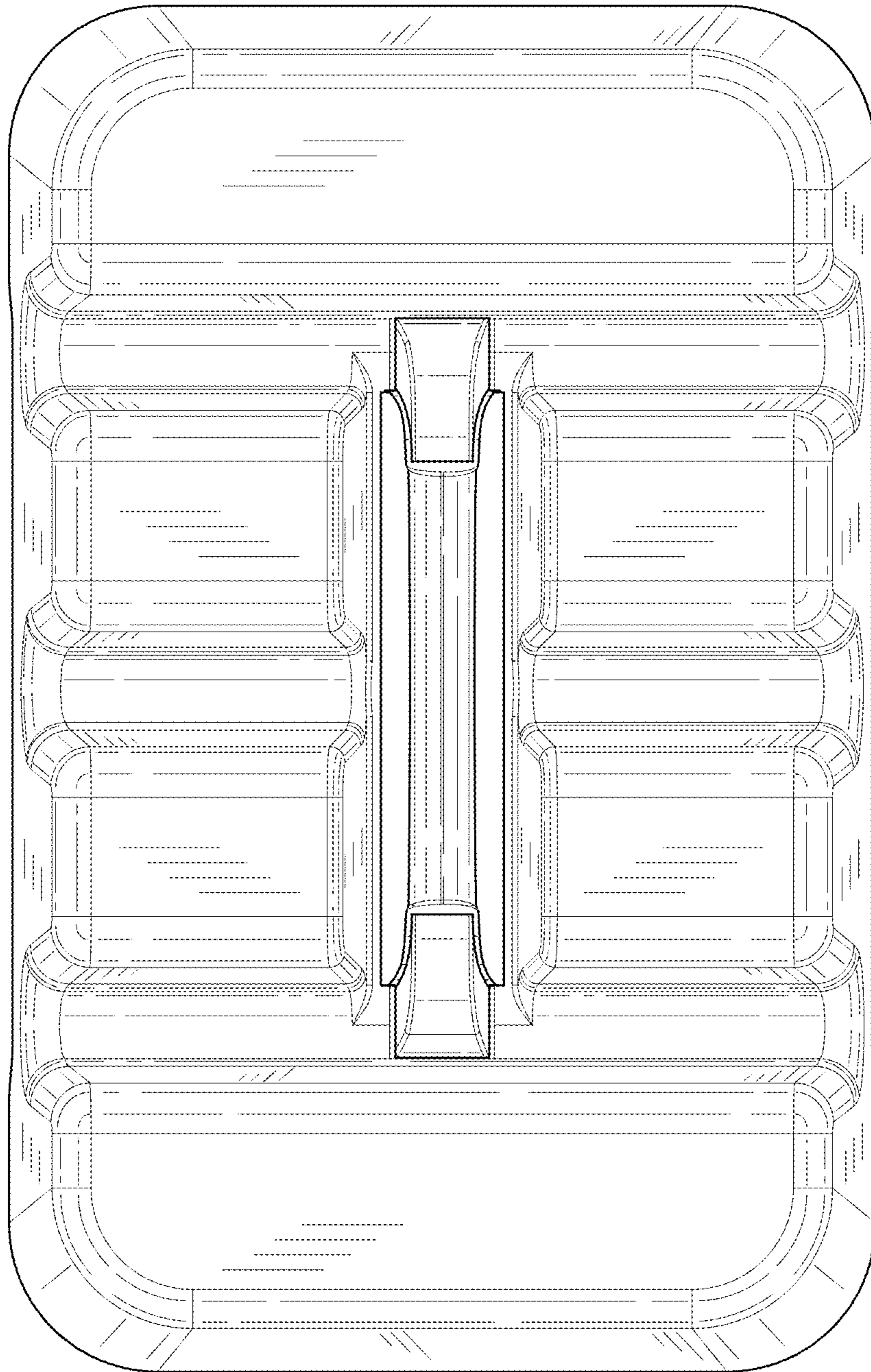


FIG. 3

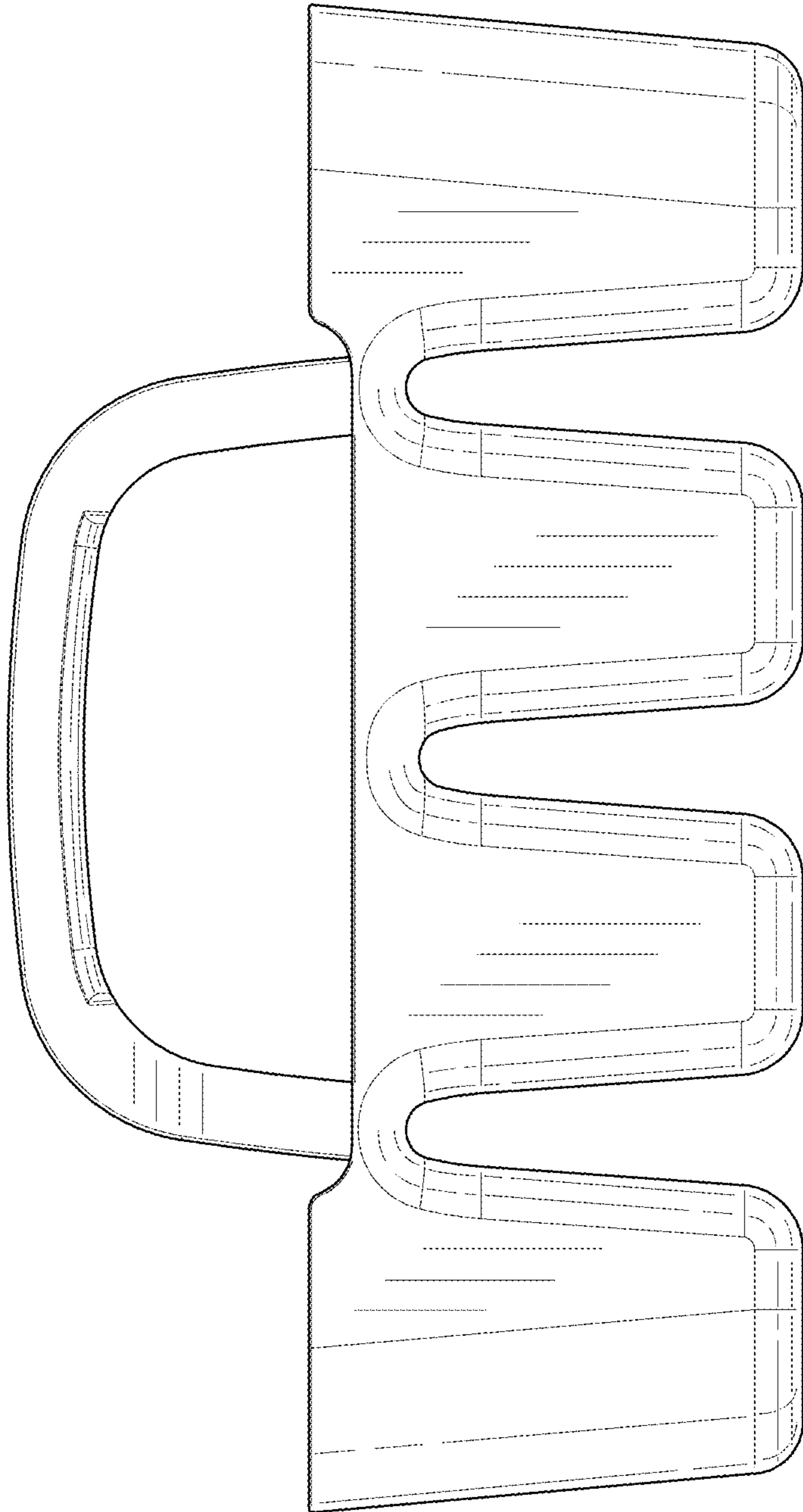


FIG. 4

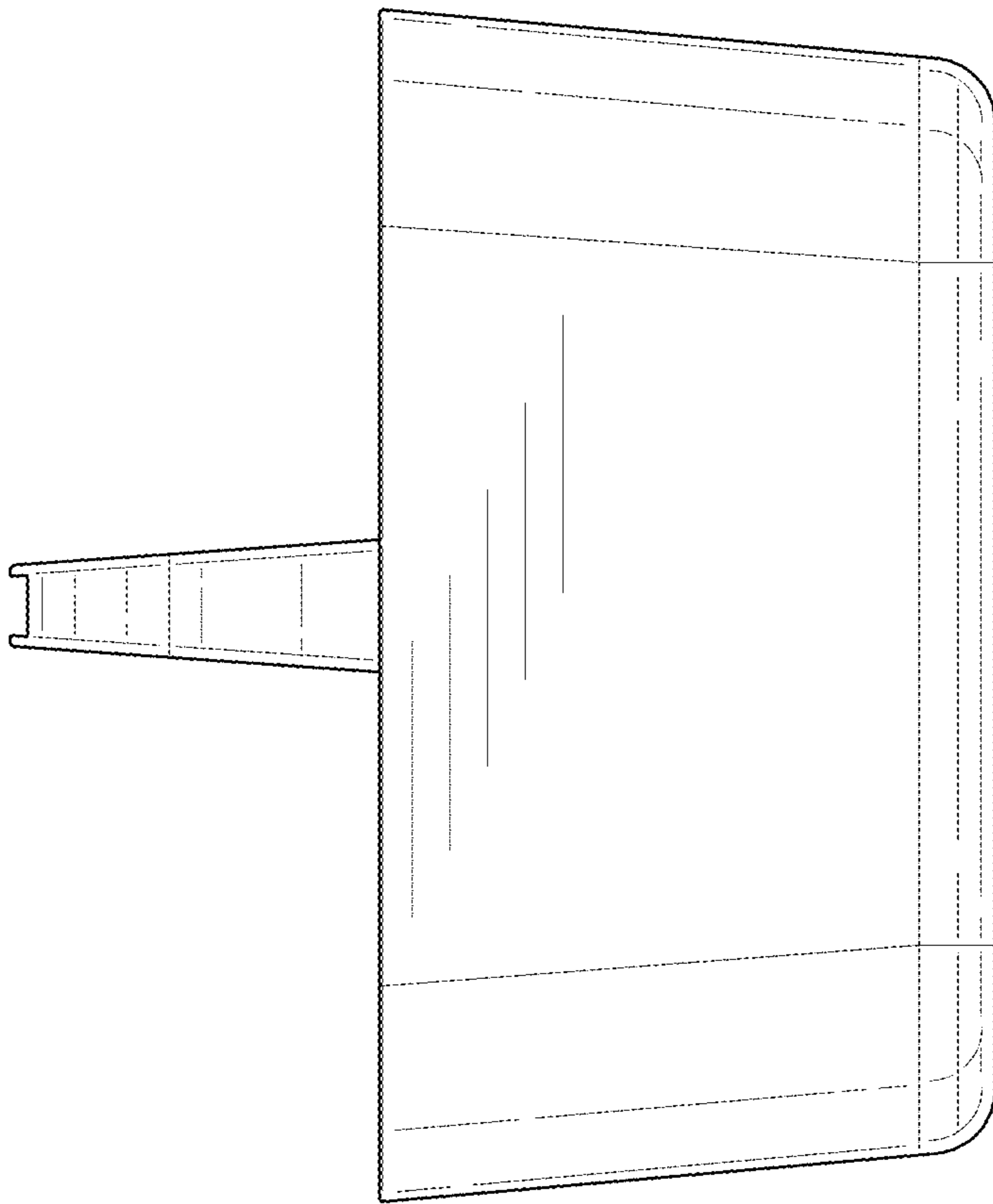


FIG. 5

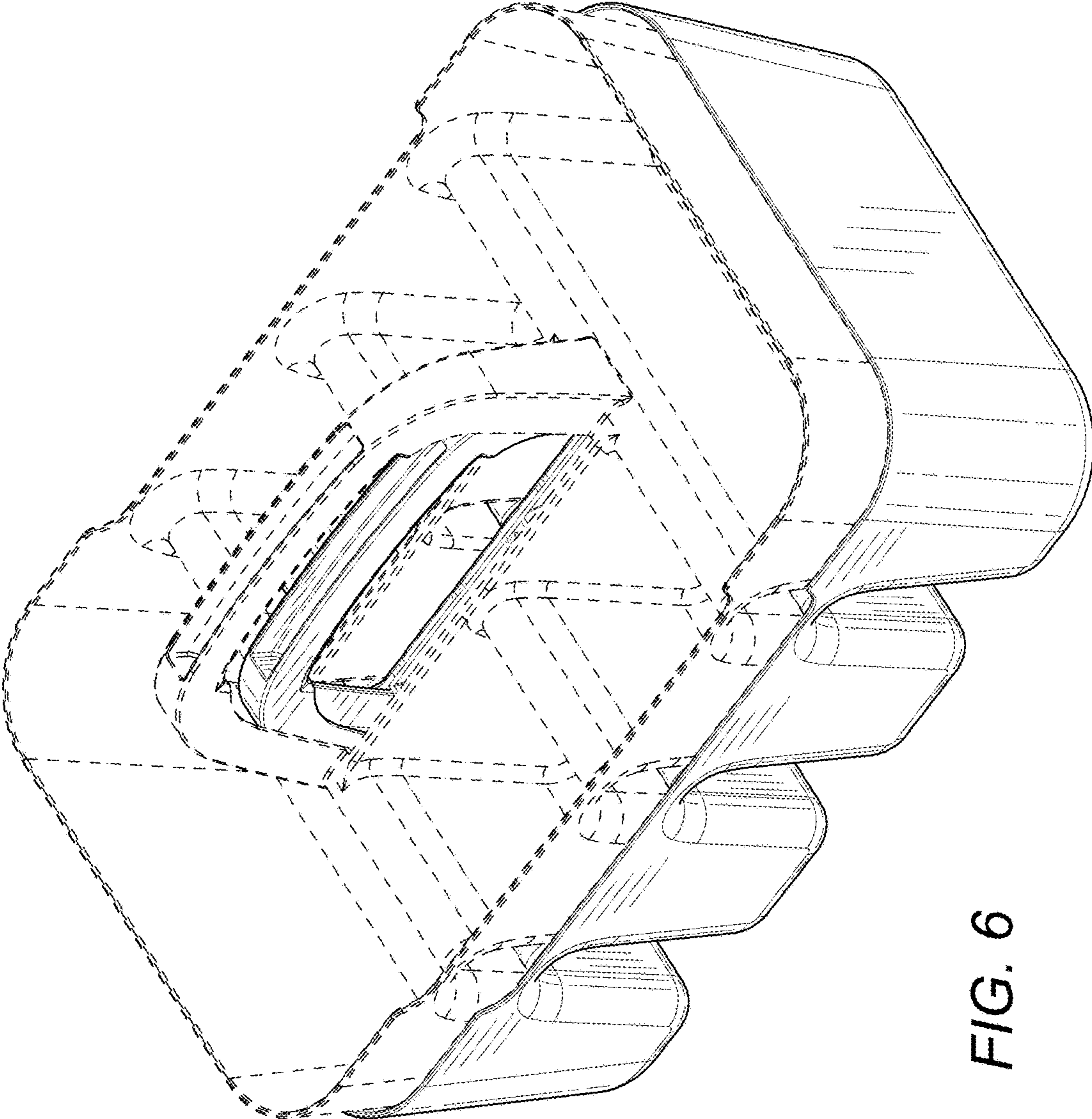


FIG. 6

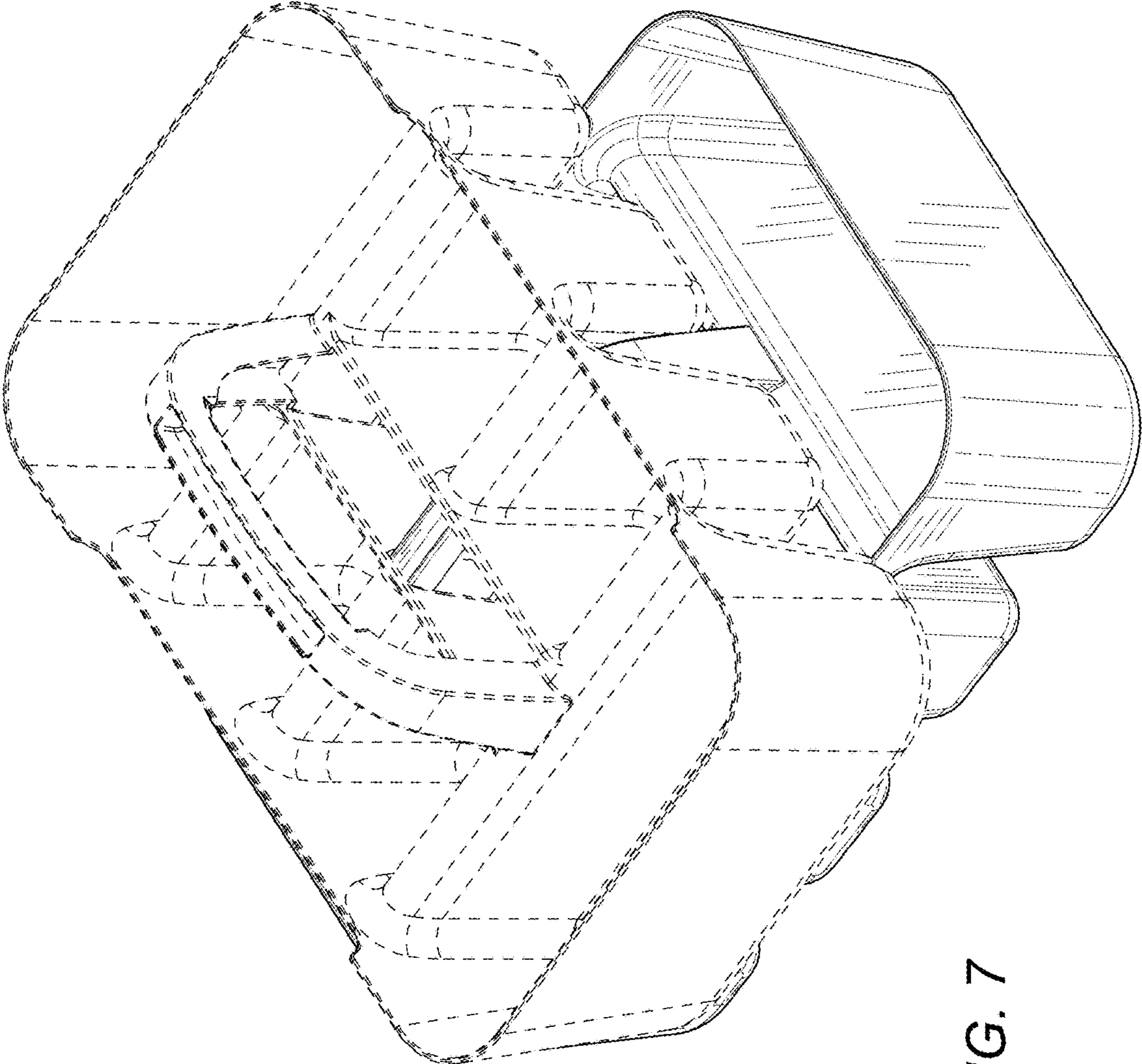


FIG. 7