



US00D789689S

(12) **United States Design Patent**
Goodman et al.

(10) **Patent No.:** **US D789,689 S**

(45) **Date of Patent:** **** Jun. 20, 2017**

(54) **BASKET**

(71) Applicant: **Spectrum Diversified Designs, LLC**,
Streetsboro, OH (US)

(72) Inventors: **Aaron D. Goodman**, Beachwood, OH
(US); **Phaysouk Xayoiphonh**, Akron,
OH (US); **Wenyue Wang**, Stow, OH
(US)

(73) Assignee: **Spectrum Diversified Designs, LLC**,
Streetsboro, OH (US)

(**) Term: **15 Years**

(21) Appl. No.: **29/555,699**

(22) Filed: **Feb. 24, 2016**

(51) **LOC (10) Cl.** **03-01**

(52) **U.S. Cl.**
USPC **D3/304**

(58) **Field of Classification Search**
USPC D3/304, 307-309, 311-315; D7/354;
D9/424-425, 432, 456-457, 755-756
CPC B65D 1/22; B65D 1/38; B65D 1/00
See application file for complete search history.

(56) **References Cited**

U.S. PATENT DOCUMENTS

D237,483 S * 11/1975 Uitz D12/407
D296,600 S * 7/1988 Singerman D3/306
4,763,606 A * 8/1988 Ondrasik, II A01K 31/08
119/474
4,830,200 A * 5/1989 Zambano A47L 15/505
211/133.5
D338,749 S * 8/1993 McConnell D32/3

D364,272 S * 11/1995 Brightbill D3/312
D421,336 S * 3/2000 Demore D3/201
D427,730 S * 7/2000 Powers D30/114
D508,321 S * 8/2005 Anderson D3/306
D670,080 S * 11/2012 James D3/304
D776,430 S * 1/2017 Chinni Vergottini D3/304
2010/0133309 A1 * 6/2010 Lee B62J 7/04
224/420
2012/0152993 A1 * 6/2012 Chen B62J 9/00
224/419

* cited by examiner

Primary Examiner — Kelley Donnelly

(74) *Attorney, Agent, or Firm* — Benesch, Friedlander,
Coplan & Aronoff LLP

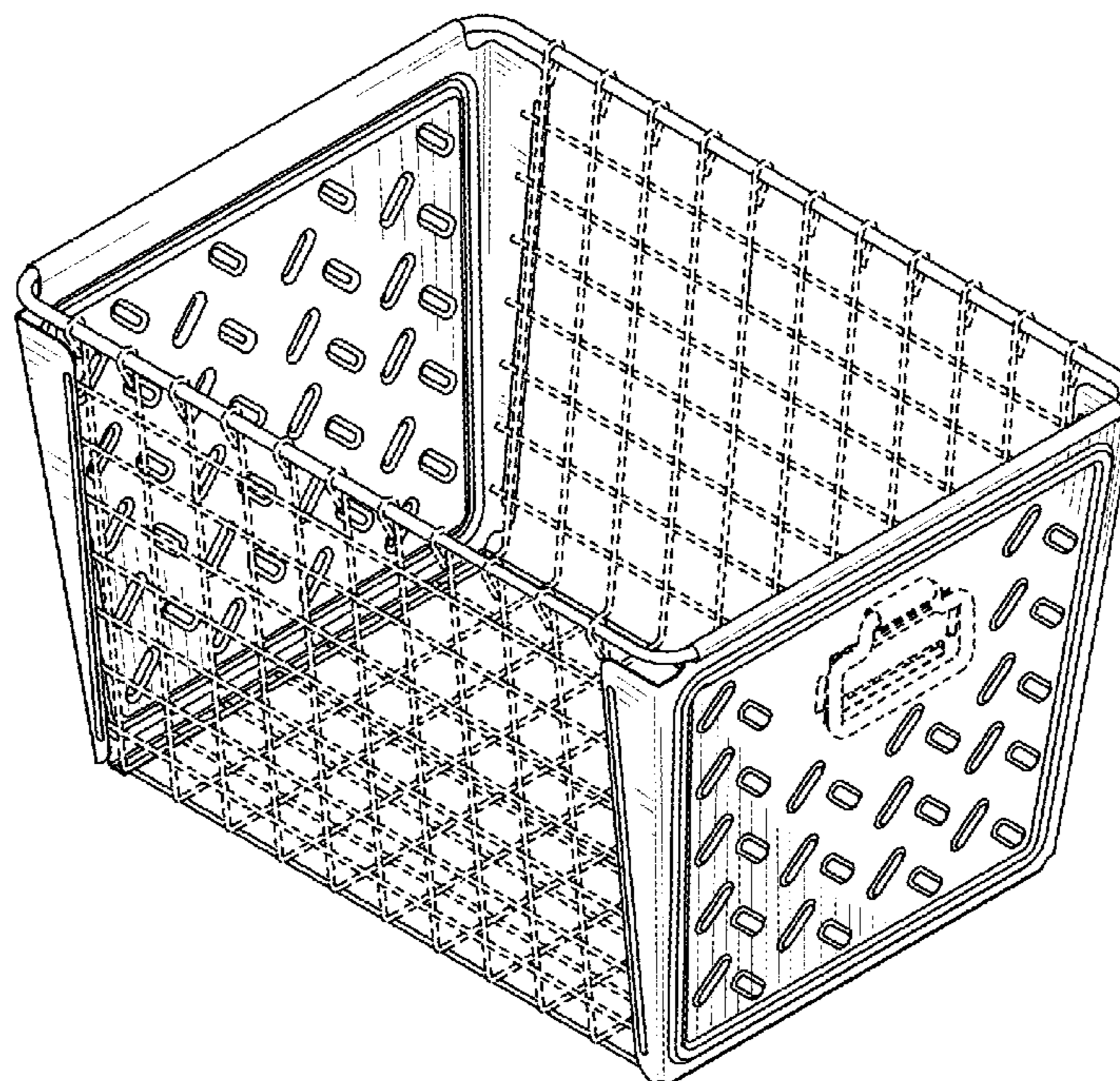
(57) **CLAIM**

What is claimed is the ornamental design for a basket, as
shown and described.

DESCRIPTION

FIG. 1 is a perspective view of a basket showing a new
design;
FIG. 2 is a right side view of the basket of FIG. 1;
FIG. 3 is a left side view of the basket of FIG. 1;
FIG. 4 is a rear view of the basket of FIG. 1;
FIG. 5 is a front view of the basket of FIG. 1;
FIG. 6 is a top view of the basket of FIG. 1; and,
FIG. 7 is a bottom view of the basket of FIG. 1.
The components of the display shown in broken lines
illustrate portions of the basket form no part of the claimed
design.

1 Claim, 4 Drawing Sheets



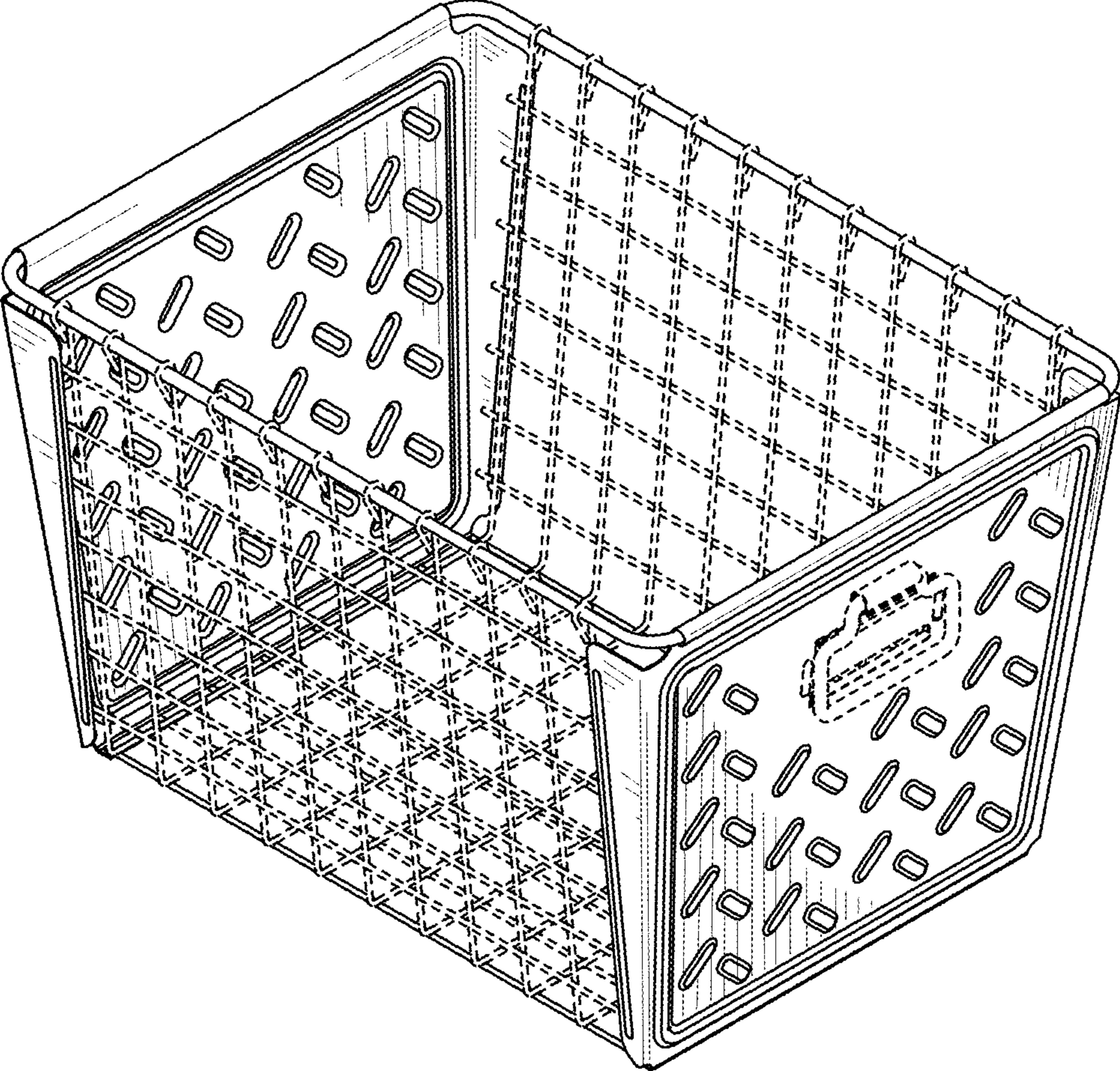


FIG. 1

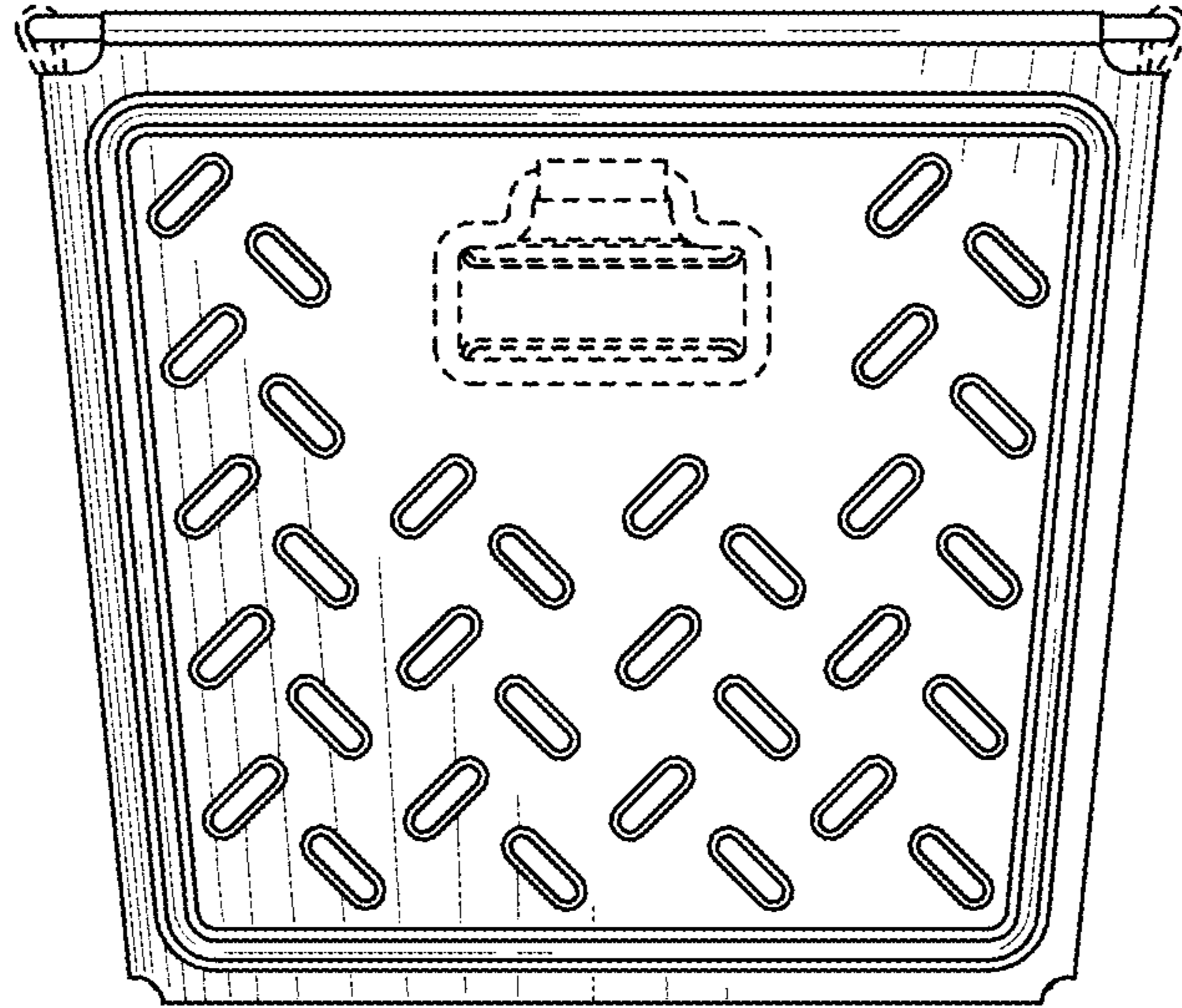


FIG. 2

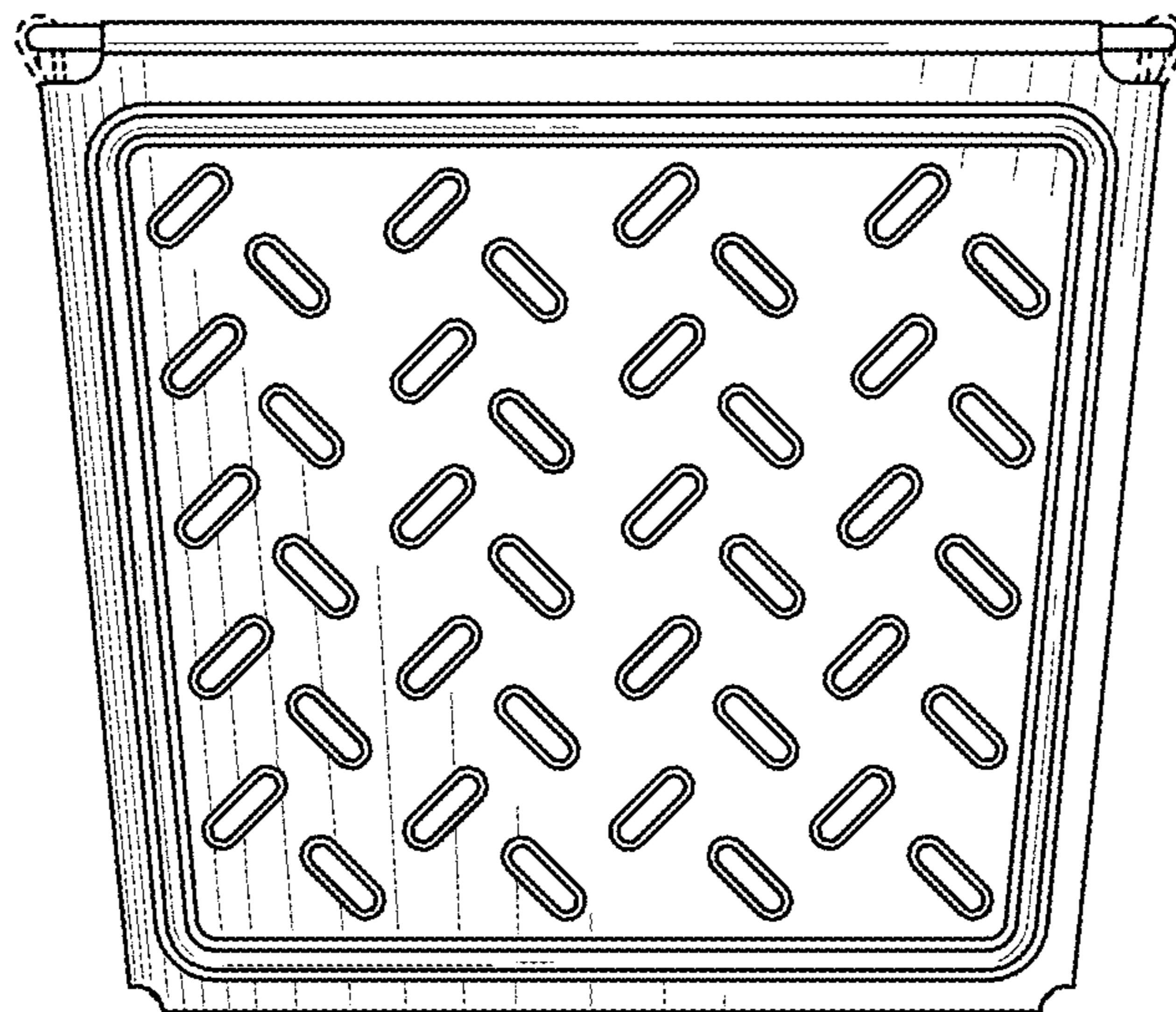


FIG. 3

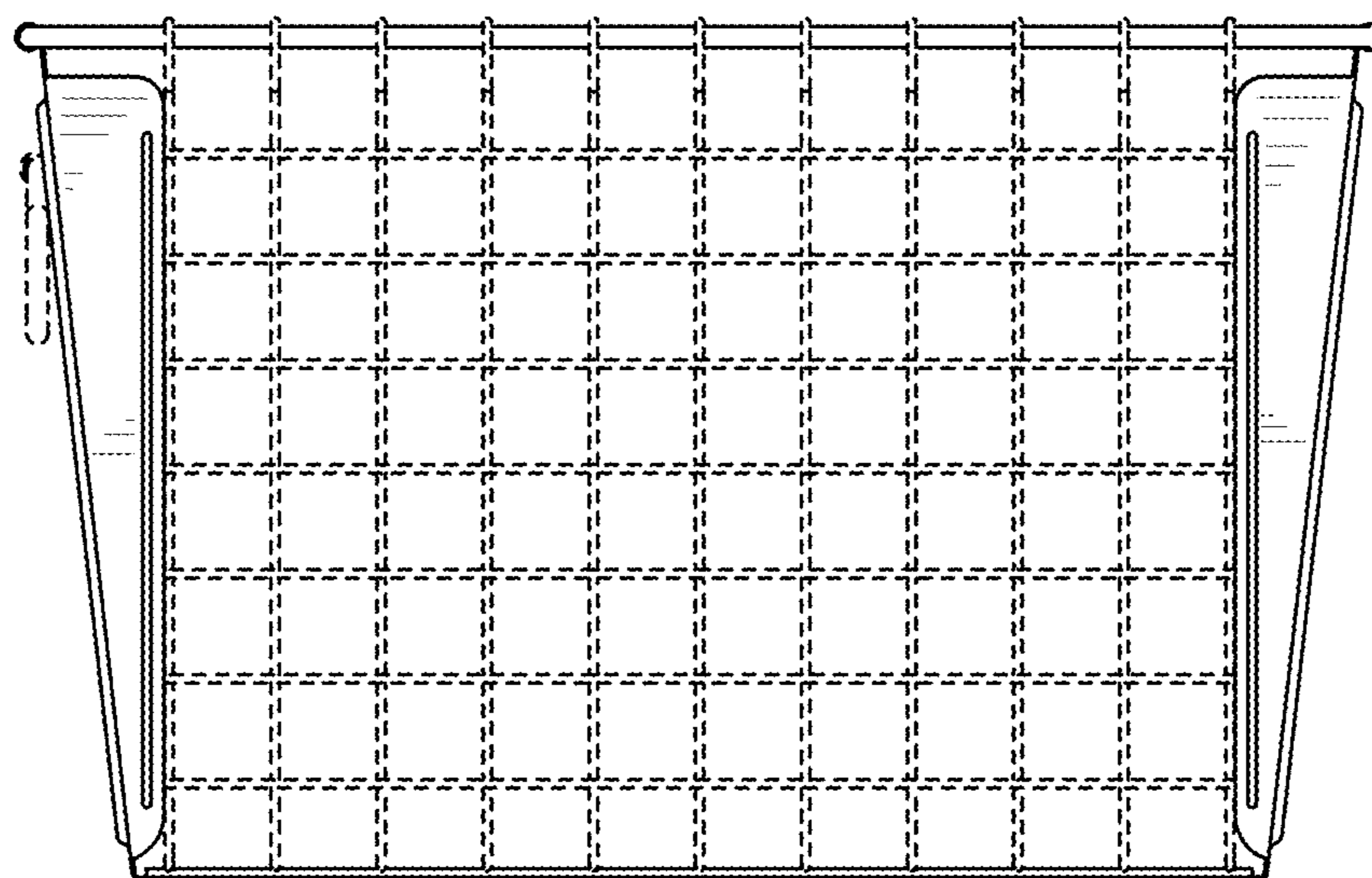


FIG. 4

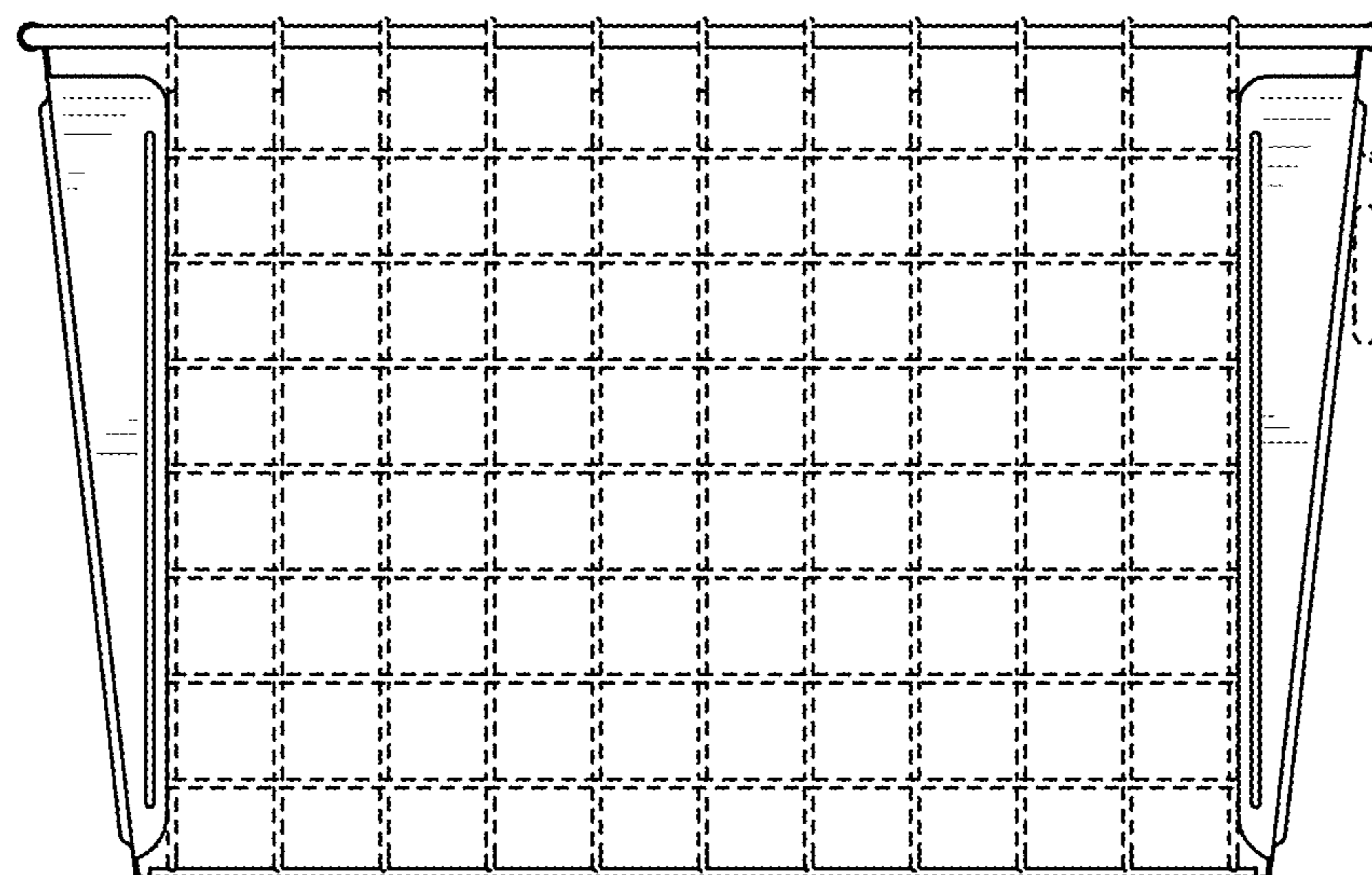


FIG. 5

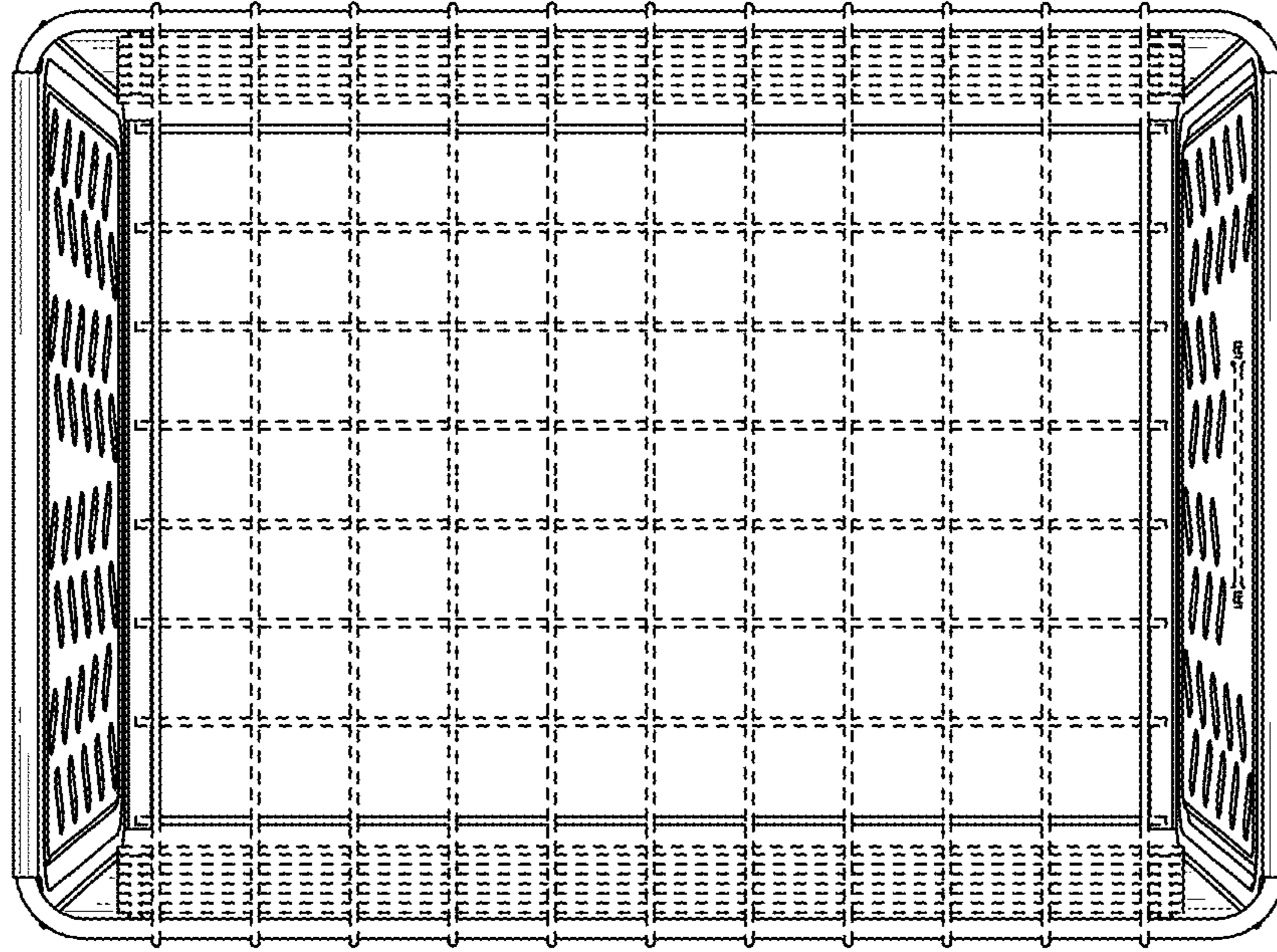


FIG. 6

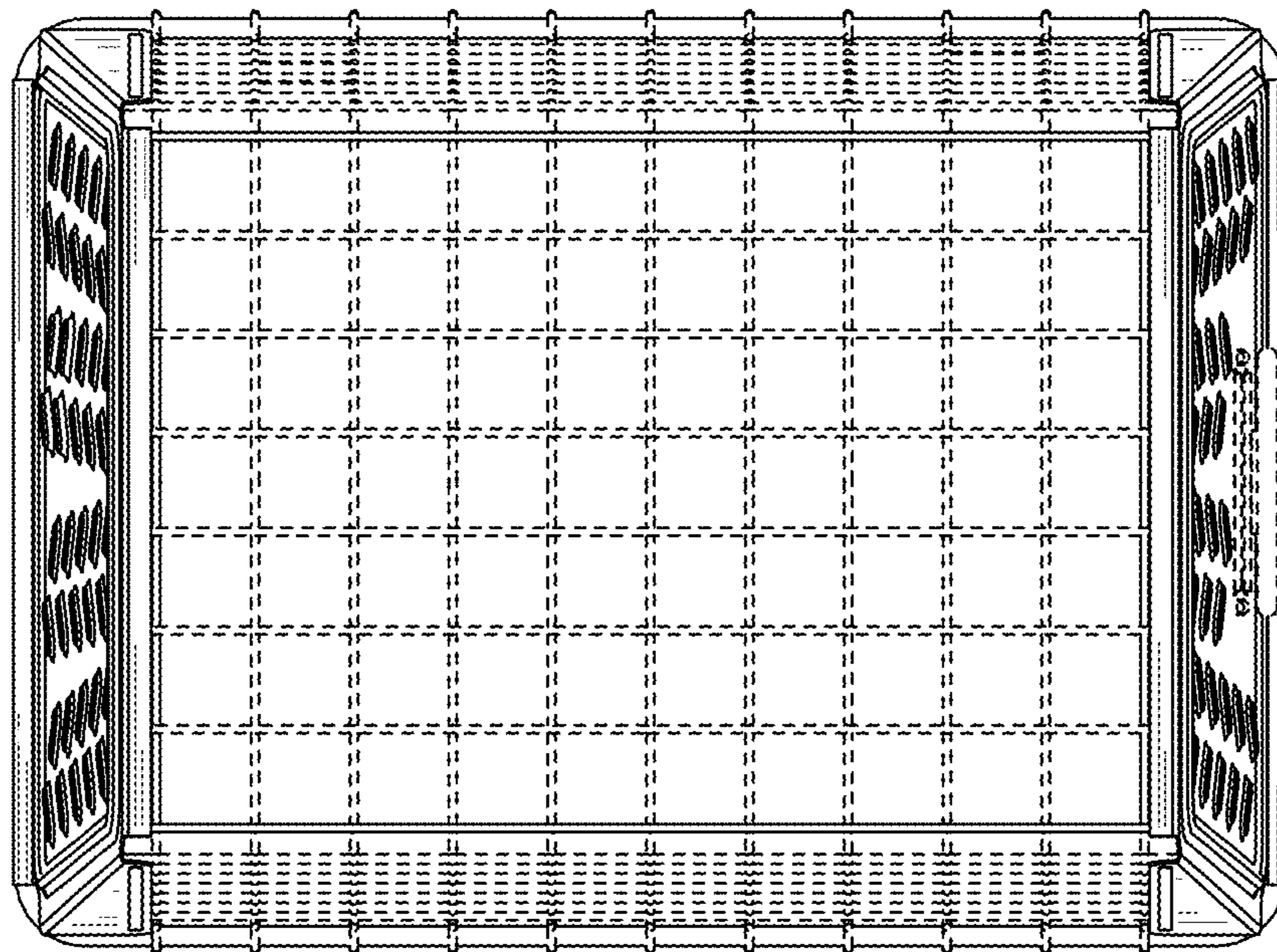


FIG. 7