



US00D789686S

(12) **United States Design Patent**
Gerbelle

(10) **Patent No.:** **US D789,686 S**
(45) **Date of Patent:** **** Jun. 20, 2017**

(54) **HANDBAG**

- (71) Applicant: **J. Choo Limited**, London (GB)
- (72) Inventor: **Rina Gerbelle**, Paris (FR)
- (73) Assignee: **J. Choo Limited**, London (GB)
- (**) Term: **15 Years**

(21) Appl. No.: **29/551,606**

(22) Filed: **Jan. 14, 2016**

(30) **Foreign Application Priority Data**

Jul. 31, 2015 (EM) 002747048-0003

(51) **LOC (10) Cl.** **03-01**

(52) **U.S. Cl.**
USPC **D3/244**

(58) **Field of Classification Search**
USPC D3/232, 233, 240-246
CPC A45C 1/024; A45C 3/06
See application file for complete search history.

(56) **References Cited**

U.S. PATENT DOCUMENTS

D624,751 S	*	10/2010	McLeod	D3/244
D627,158 S	*	11/2010	Dreyfuss	D3/244
D680,328 S	*	4/2013	Alexandre	D3/232
D756,112 S	*	5/2016	Slimane	D3/232

OTHER PUBLICATIONS

Gucci, Ponyskin and Leather Bag, From Women's Wear Daily, Aug. 15, 2005, pp. 4-5.

* cited by examiner

Primary Examiner — Holly Baynham

(74) *Attorney, Agent, or Firm* — Fross Zelnick Lehrmann & Zissu, P.C.; Lawrence E. Apolzon, Esq.

(57) **CLAIM**

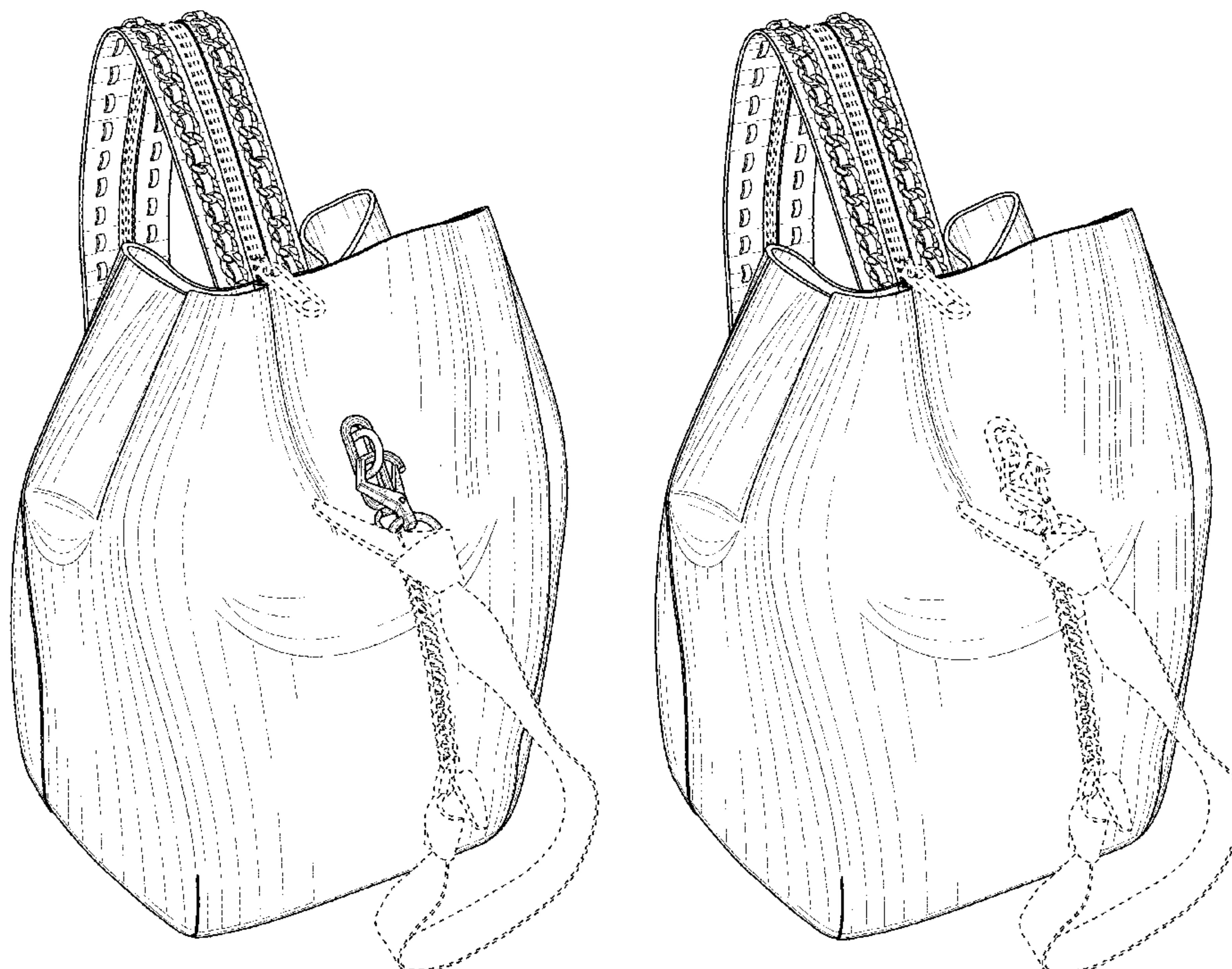
The ornamental design for a handbag, as shown and described.

DESCRIPTION

FIG. 1 is a front perspective view of a handbag showing my new design;
 FIG. 2 is a front view of the handbag shown in FIG. 1;
 FIG. 3 is a rear view of the handbag shown in FIG. 1;
 FIG. 4 is a left side view of the handbag shown in FIG. 1;
 FIG. 5 is a right side view of the handbag shown in FIG. 1;
 FIG. 6 is a top view of the handbag shown in FIG. 1;
 FIG. 7 is a bottom view of the handbag shown in FIG. 1;
 FIG. 8 is a front perspective view of an alternative embodiment of the handbag shown in FIG. 1;
 FIG. 9 is a front view thereof;
 FIG. 10 is a rear view thereof;
 FIG. 11 is a left side view thereof;
 FIG. 12 is a right side view thereof;
 FIG. 13 is a top view thereof; and,
 FIG. 14 is a bottom view thereof.

The broken lines showing portions of the leather straps, chains, stitching and strap loop are for the purposes of illustrating environment and form no part of the claimed design.

1 Claim, 14 Drawing Sheets



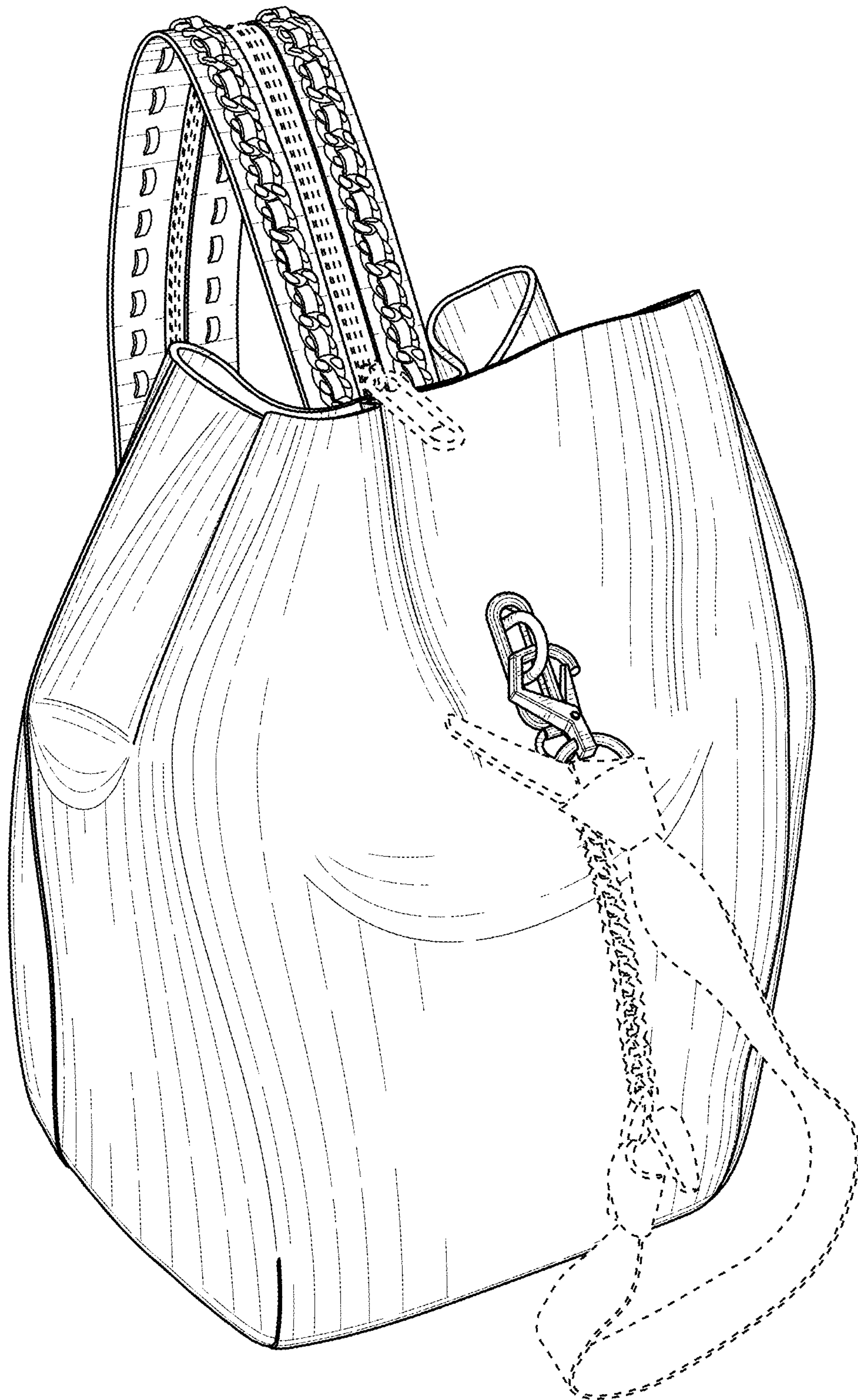


FIG. 1

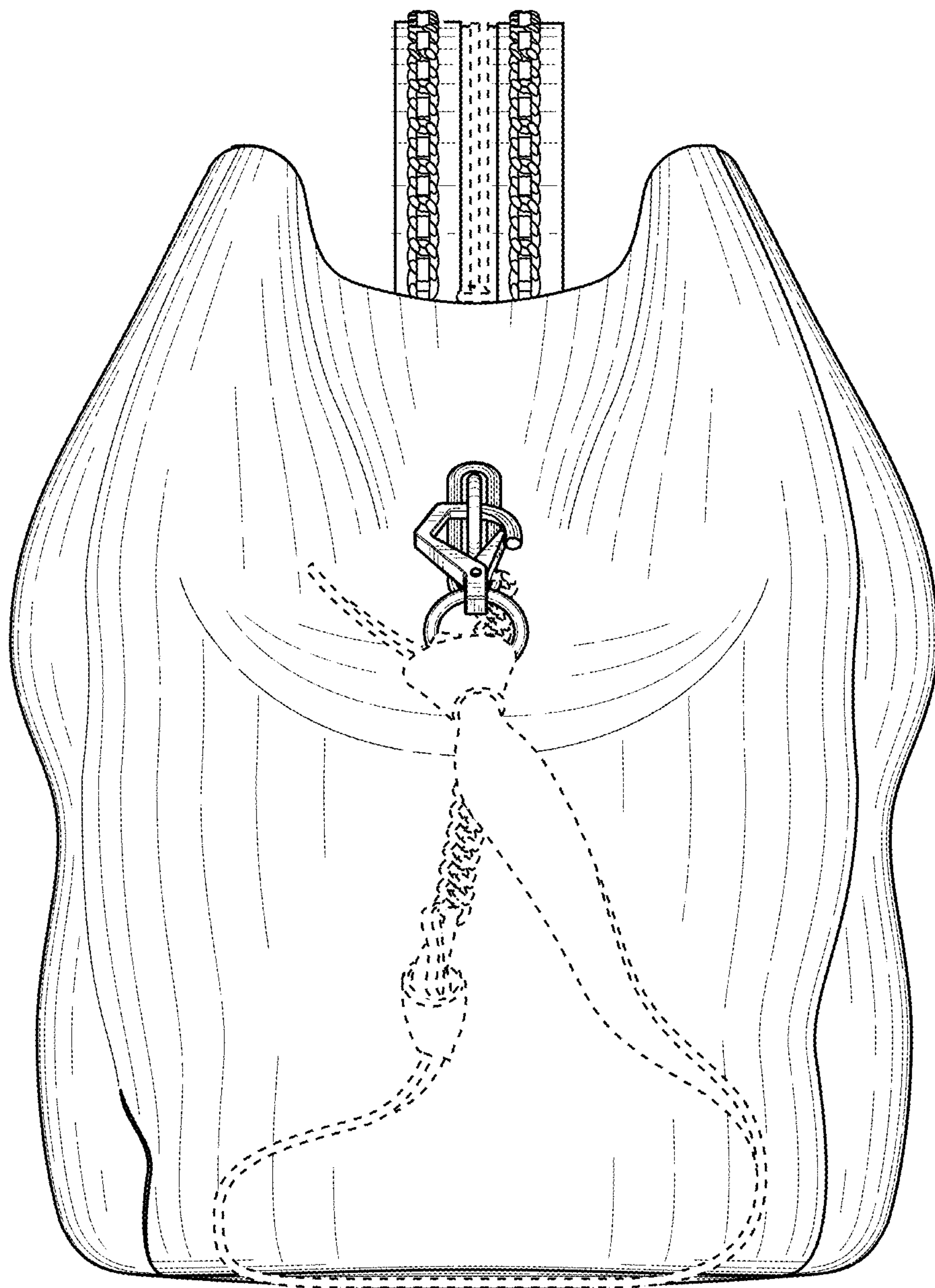


FIG. 2

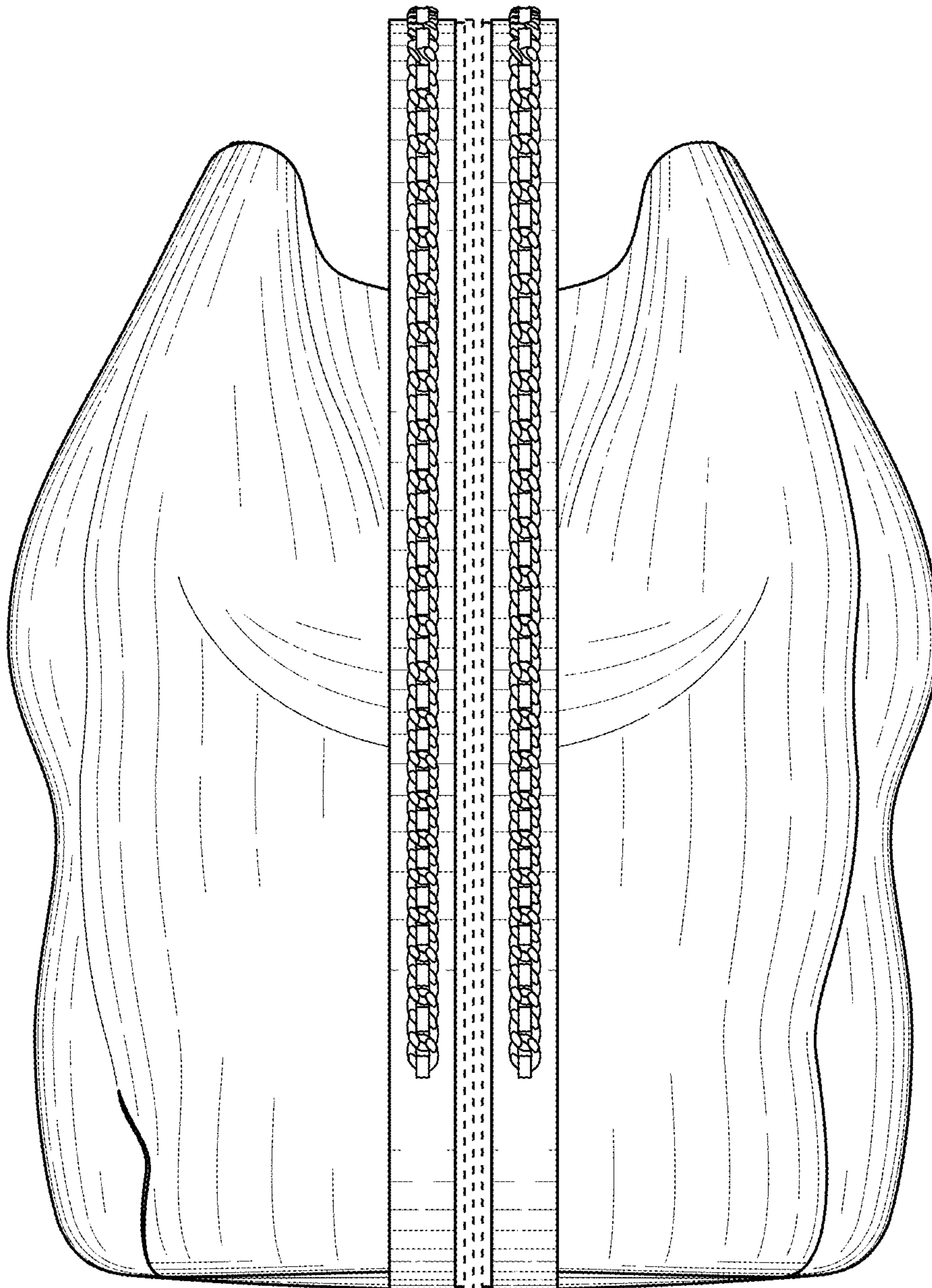


FIG. 3



FIG. 4

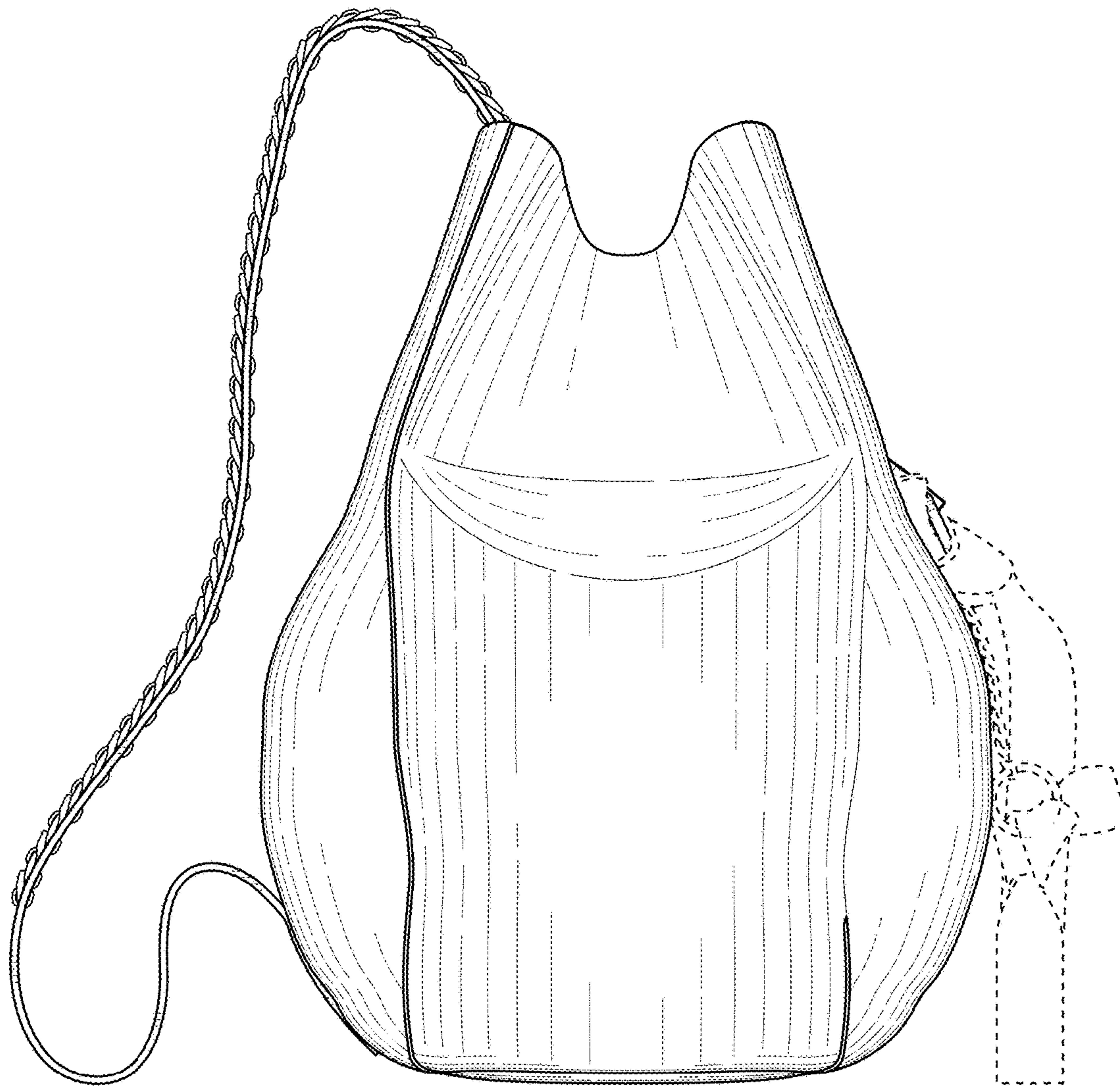


FIG. 5

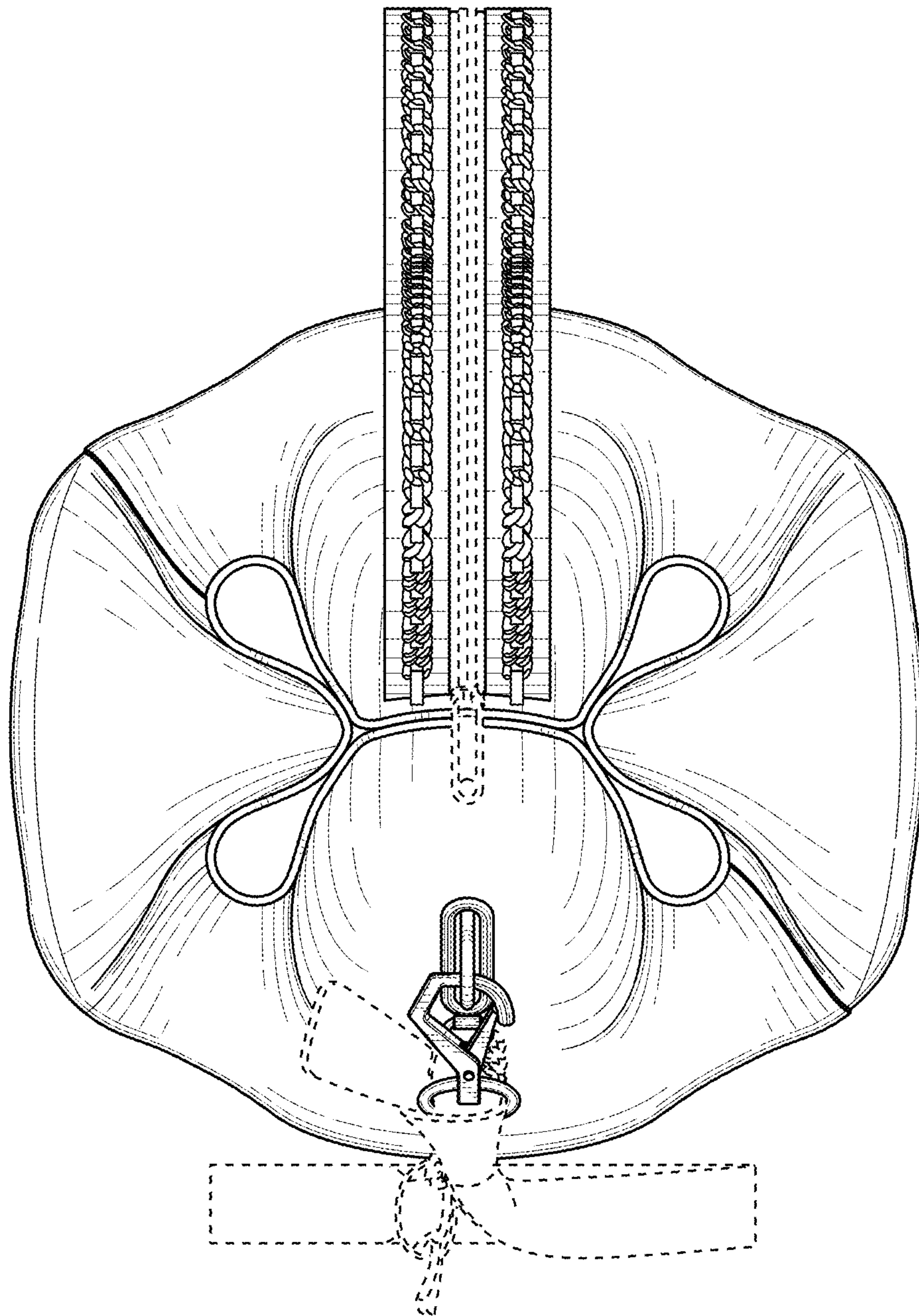


FIG. 6

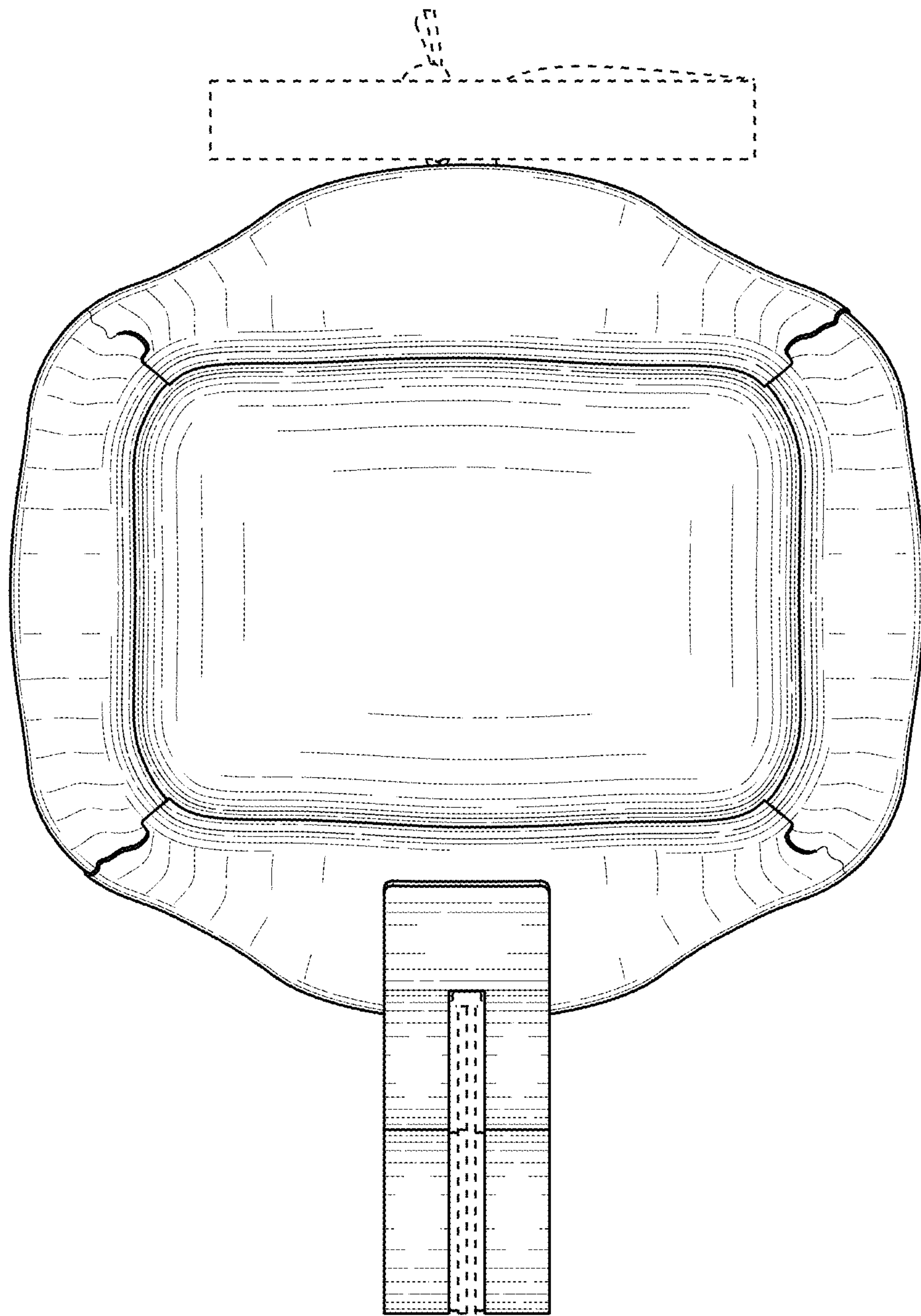


FIG. 7

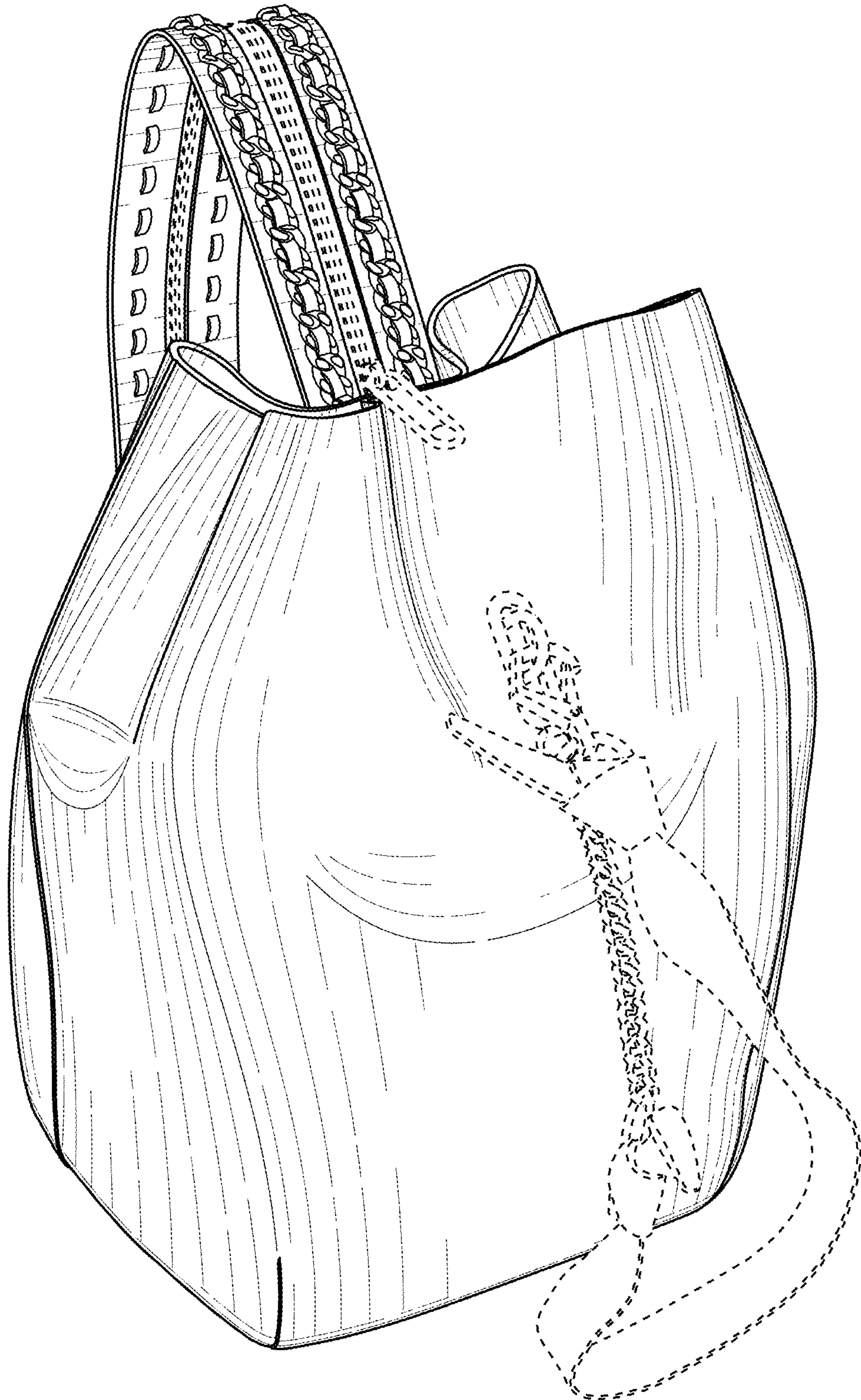


FIG. 8

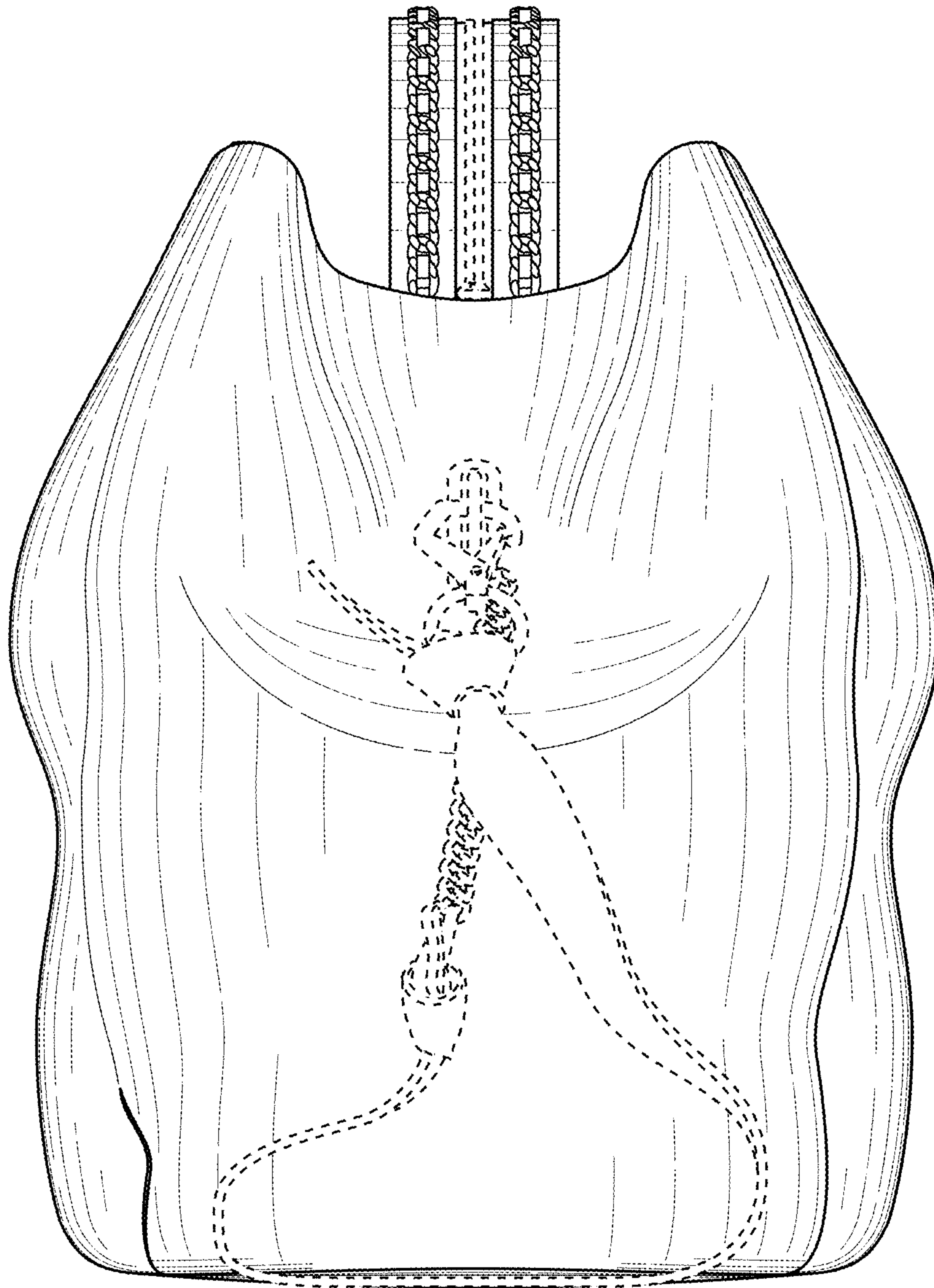


FIG. 9

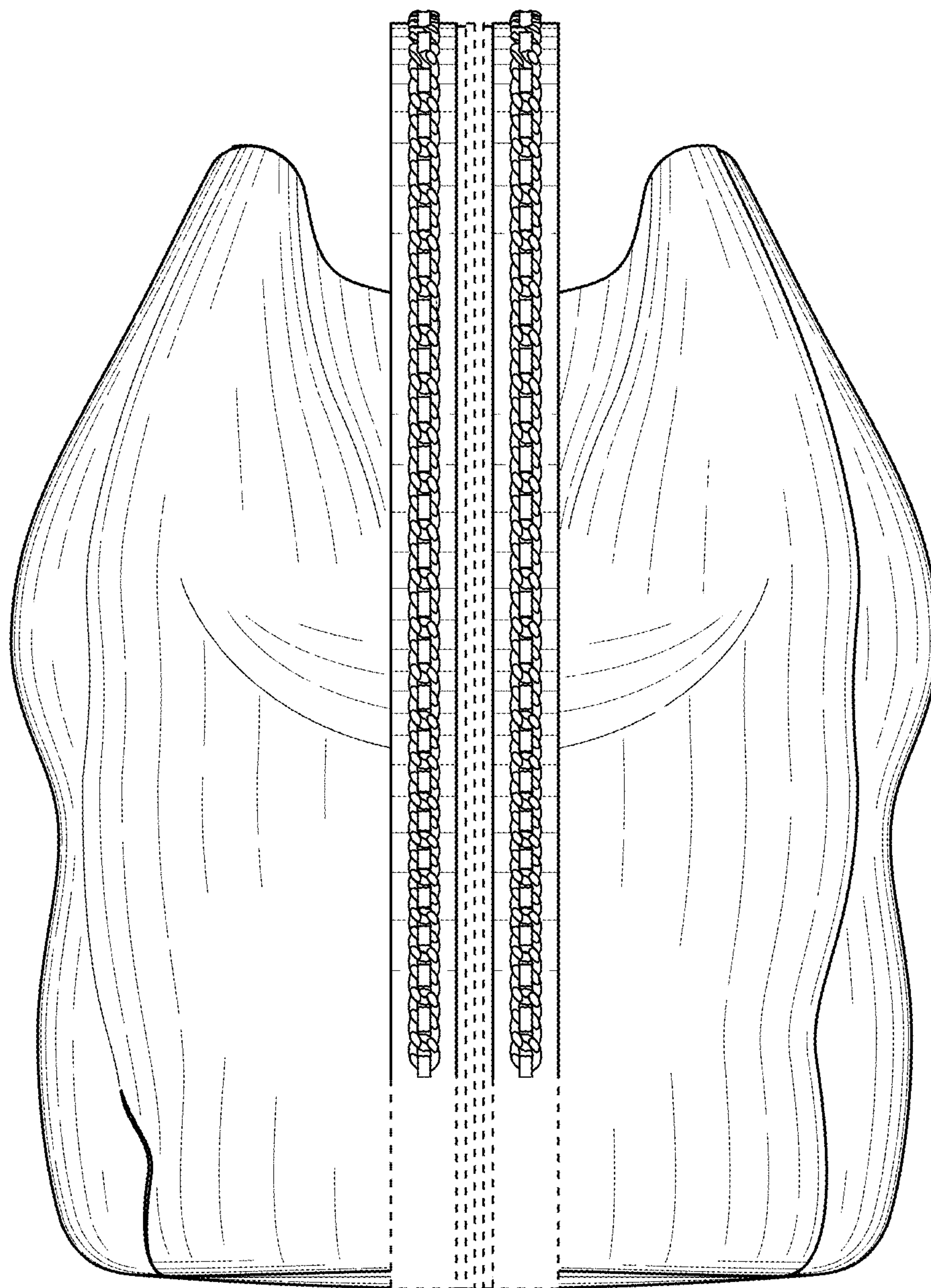


FIG. 10



FIG. 11

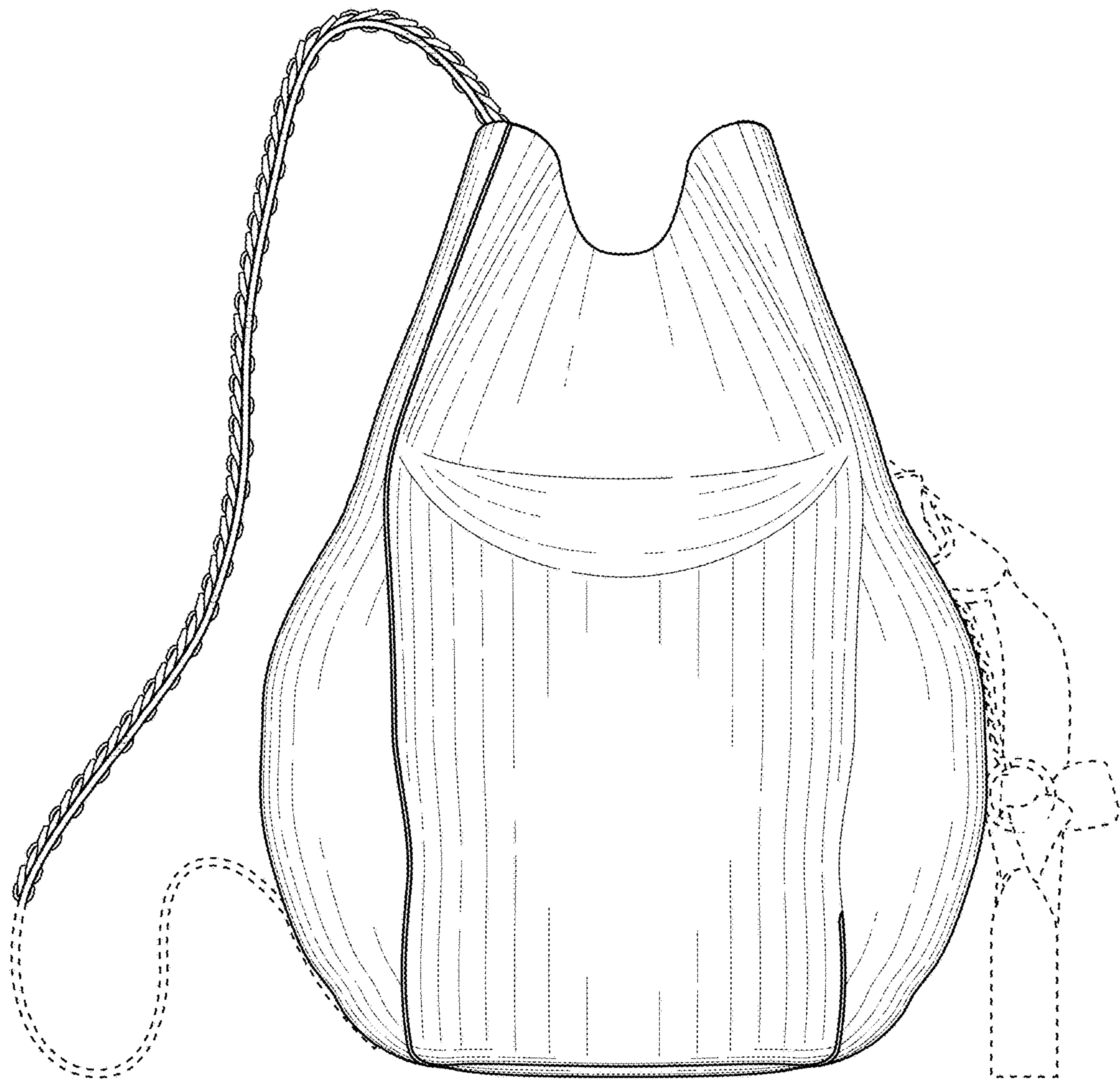


FIG. 12

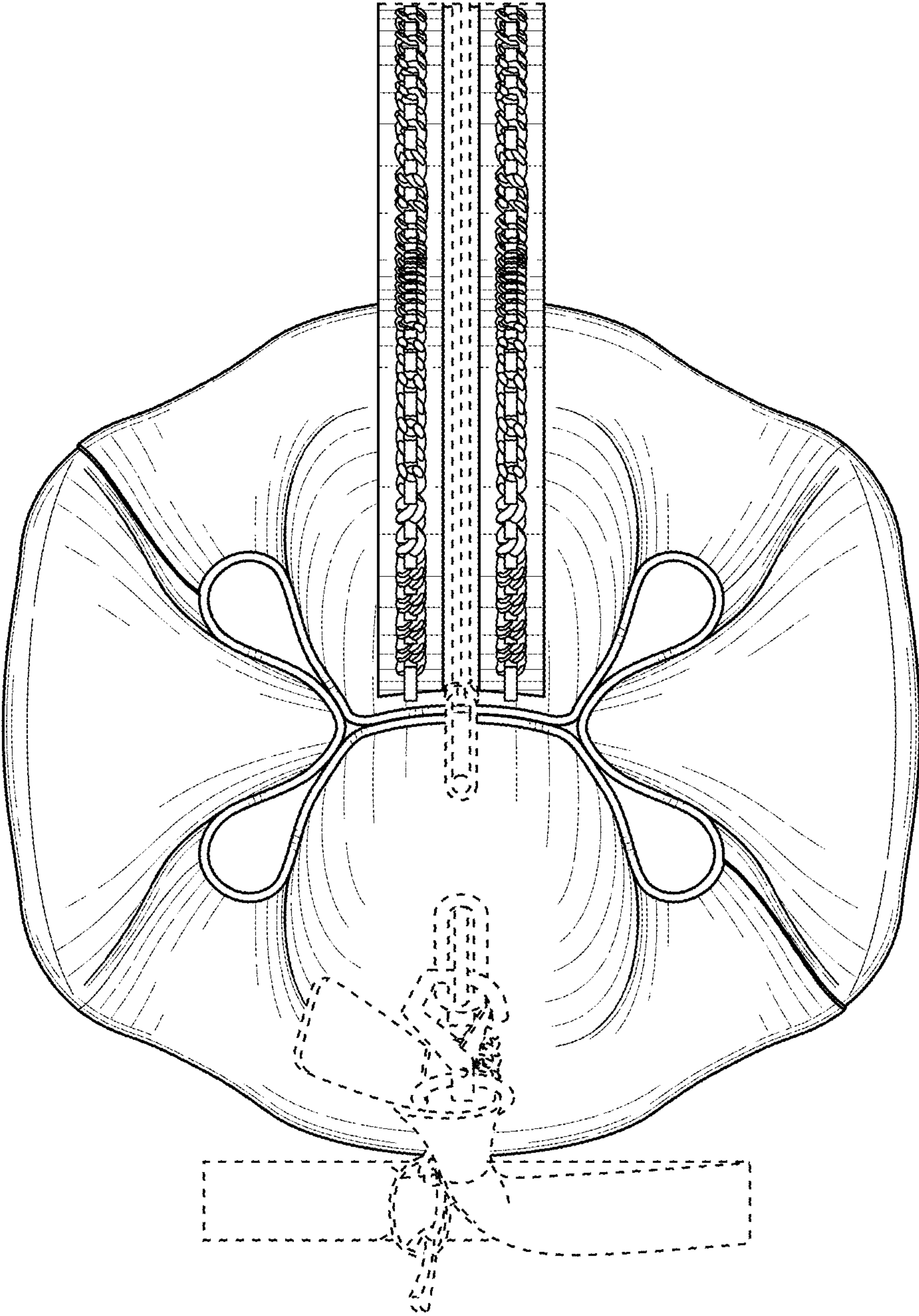


FIG. 13

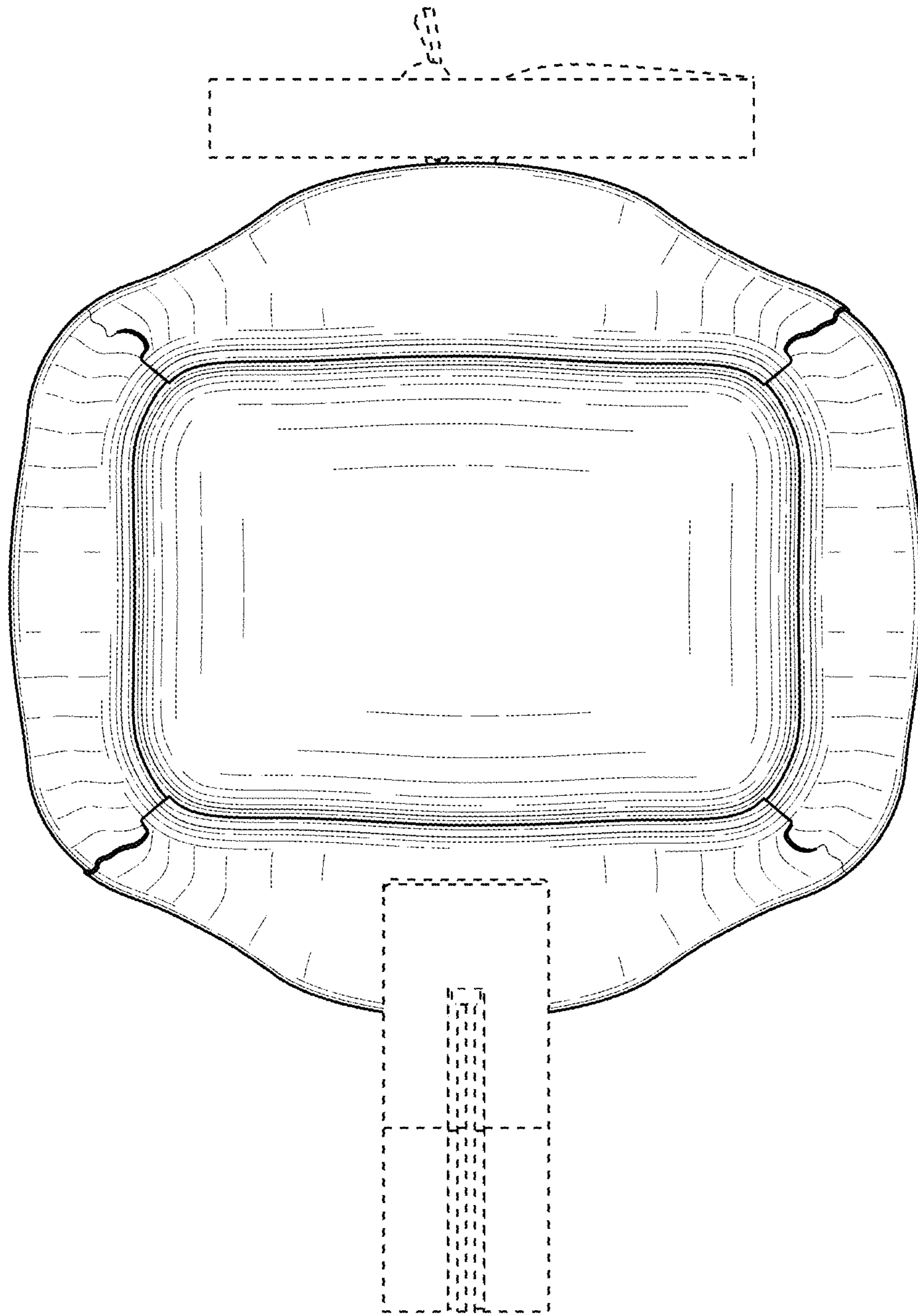


FIG. 14