



US00D789684S

(12) **United States Design Patent** (10) **Patent No.:** **US D789,684 S**
Michele (45) **Date of Patent:** **** Jun. 20, 2017**

(54) **HANDBAG**
(71) Applicant: **Guccio Gucci S.p.A.**, Florence (IT)
(72) Inventor: **Alessandro Michele**, Rome (IT)
(73) Assignee: **Guccio Gucci S.p.A.**, Florence (IT)
(**) Term: **15 Years**
(21) Appl. No.: **29/537,332**
(22) Filed: **Aug. 25, 2015**
(51) **LOC (10) Cl.** **03-01**
(52) **U.S. Cl.**
USPC **D3/232**
(58) **Field of Classification Search**
USPC D3/215-217, 226, 227, 232-234,
D3/238-246, 254, 257, 270, 271.1, 271.9,
D3/272, 274-276, 291, 294, 299, 303,
D3/324, 326, 900, 902, 903
CPC A45C 1/00; A45C 3/06; A45C 2007/004;
A45C 3/08; A45C 7/00; A45C 9/10
See application file for complete search history.

D686,820 S * 7/2013 Song D3/243
D688,451 S * 8/2013 Philo D3/243
D698,144 S * 1/2014 Von Furstenberg D3/243
D698,547 S * 2/2014 Deneve D3/243
D703,947 S * 5/2014 Holloway D3/243
D715,540 S * 10/2014 Ghisellini D3/232
D727,618 S * 4/2015 McNamara D3/243
D728,925 S * 5/2015 Von Furstenberg D3/243
D728,929 S * 5/2015 Dumas D3/243
2009/0114691 A1 * 5/2009 Bizzell A47D 13/02
224/577
2010/0078099 A1 * 4/2010 Armstrong A45C 3/08
150/105

* cited by examiner

Primary Examiner — Susan E Krakower
Assistant Examiner — Lisa A Grabenstetter
(74) *Attorney, Agent, or Firm* — Kelley Drye & Warren
LLP

(57) **CLAIM**

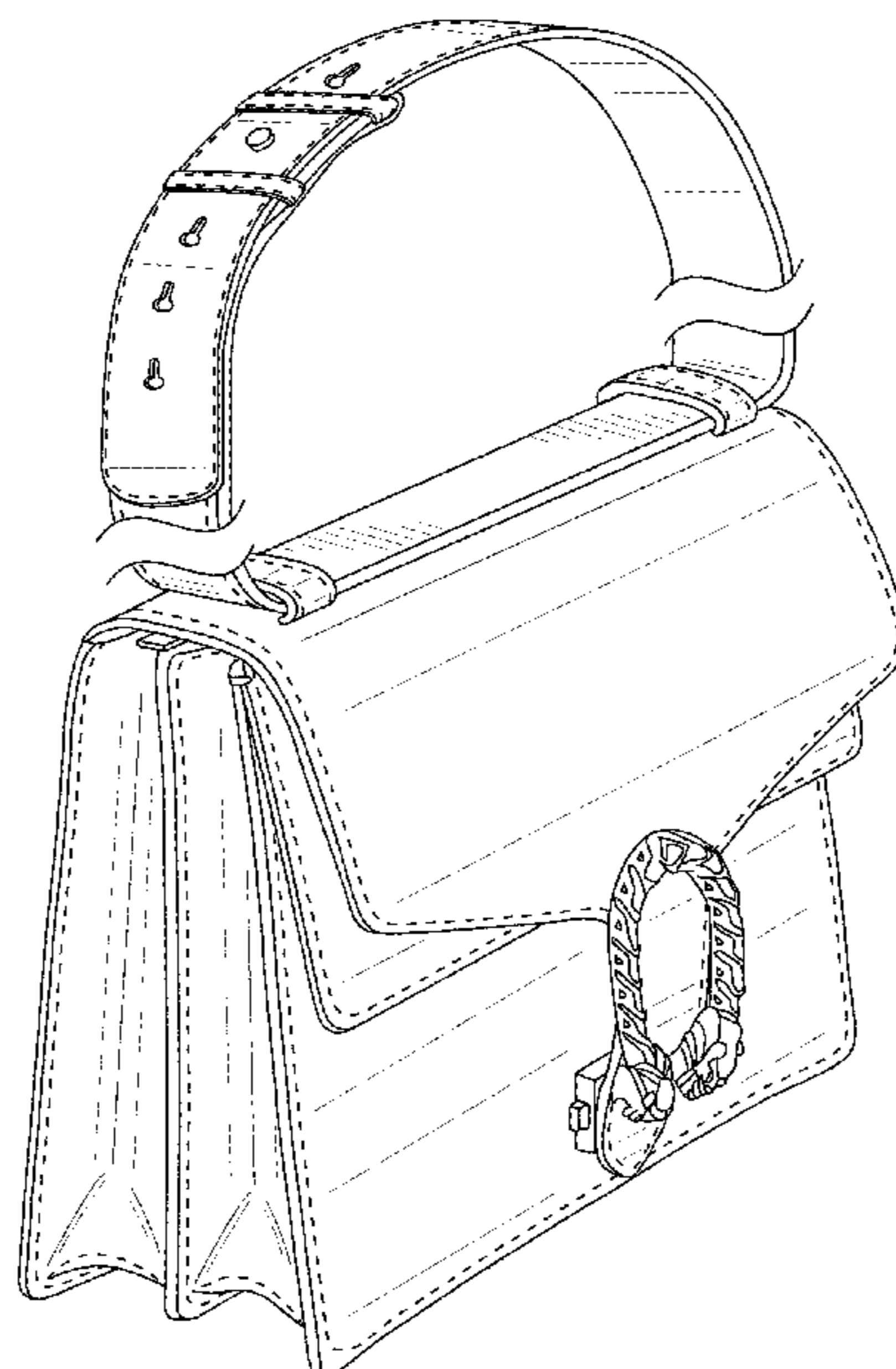
The ornamental design for a handbag, as shown.

DESCRIPTION

FIG. 1 is a perspective view of a handbag showing my new design;
FIG. 2 is a front elevational view thereof;
FIG. 3 is a rear elevational view thereof;
FIG. 4 is a top plan view thereof;
FIG. 5 is a bottom plan view thereof;
FIG. 6 is a right side elevational view thereof; and,
FIG. 7 is a left side elevational view thereof.
The broken lines on the surface of the claimed design represent unclaimed stitching.
The handbag strap is shown with a symbolic break in its length. The appearance of any portion of the article between the break lines forms no part of the claimed design.

1 Claim, 7 Drawing Sheets

(56) **References Cited**
U.S. PATENT DOCUMENTS
2,798,524 A * 7/1957 Ryon A45C 3/08
150/103
D235,692 S * 7/1975 Rushing et al. D3/243
D250,794 S * 1/1979 Siegel D3/243
D268,304 S * 3/1983 Schimmel D10/31
4,649,974 A * 3/1987 Takanashi A45C 3/08
150/100
D324,771 S * 3/1992 Dixsaut D3/243
D372,795 S * 8/1996 Swinford D3/233
D373,019 S * 8/1996 Ford D3/232
D384,812 S * 10/1997 Heffelfinger D3/243
D537,626 S * 3/2007 Ghesquiere D3/243
D655,583 S * 3/2012 Palazzolo D3/243



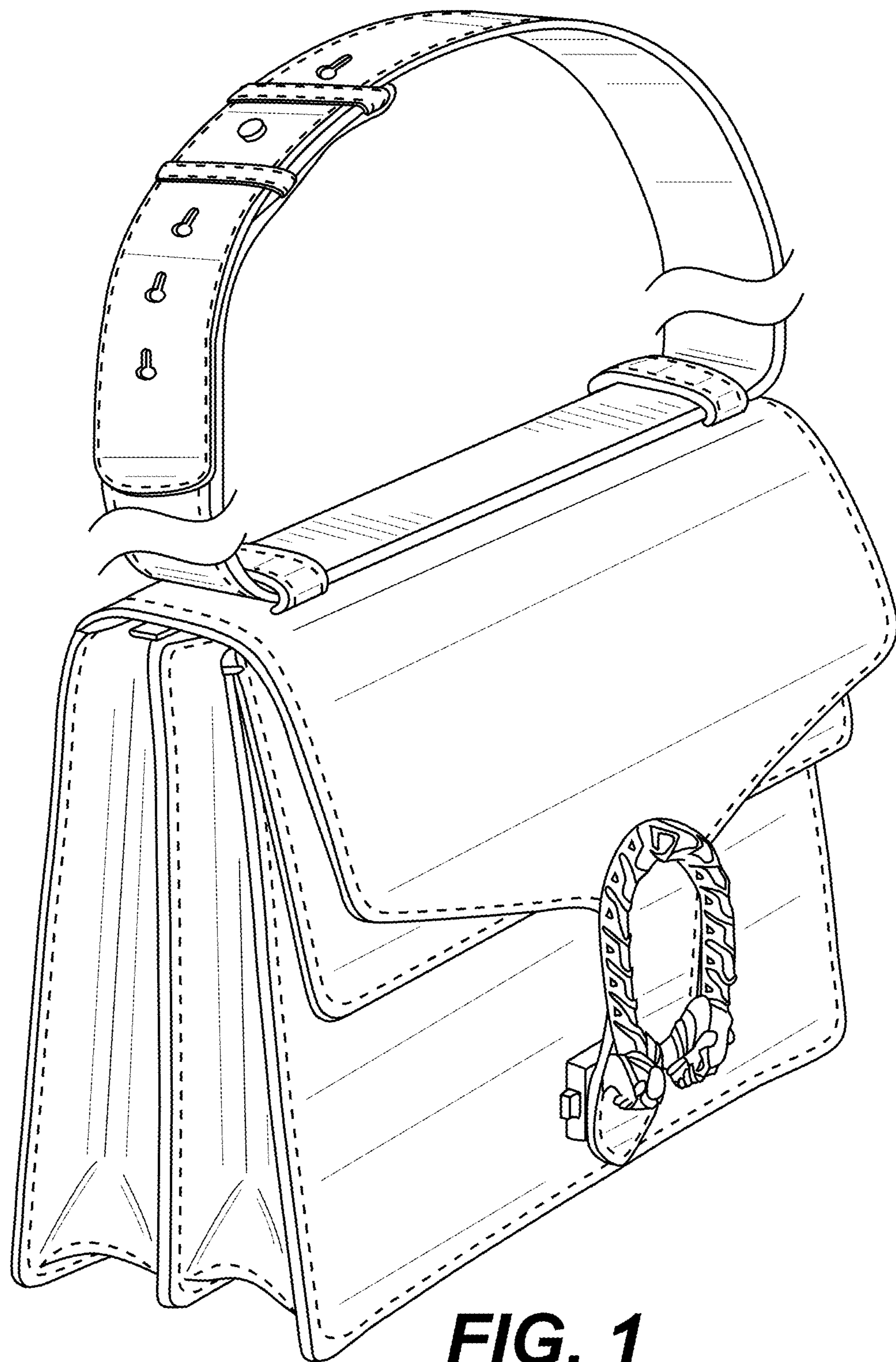


FIG. 1



FIG. 2

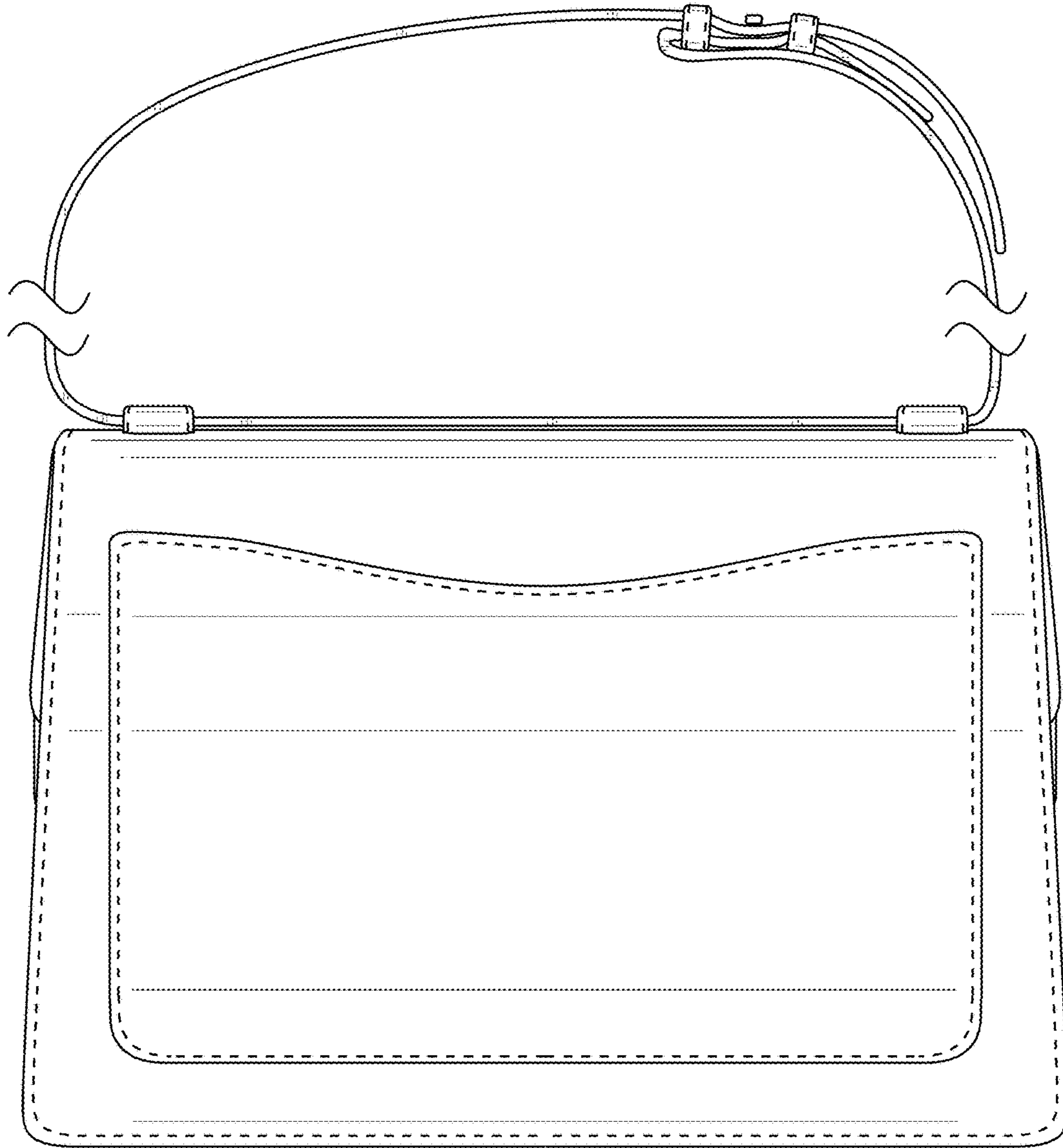


FIG. 3

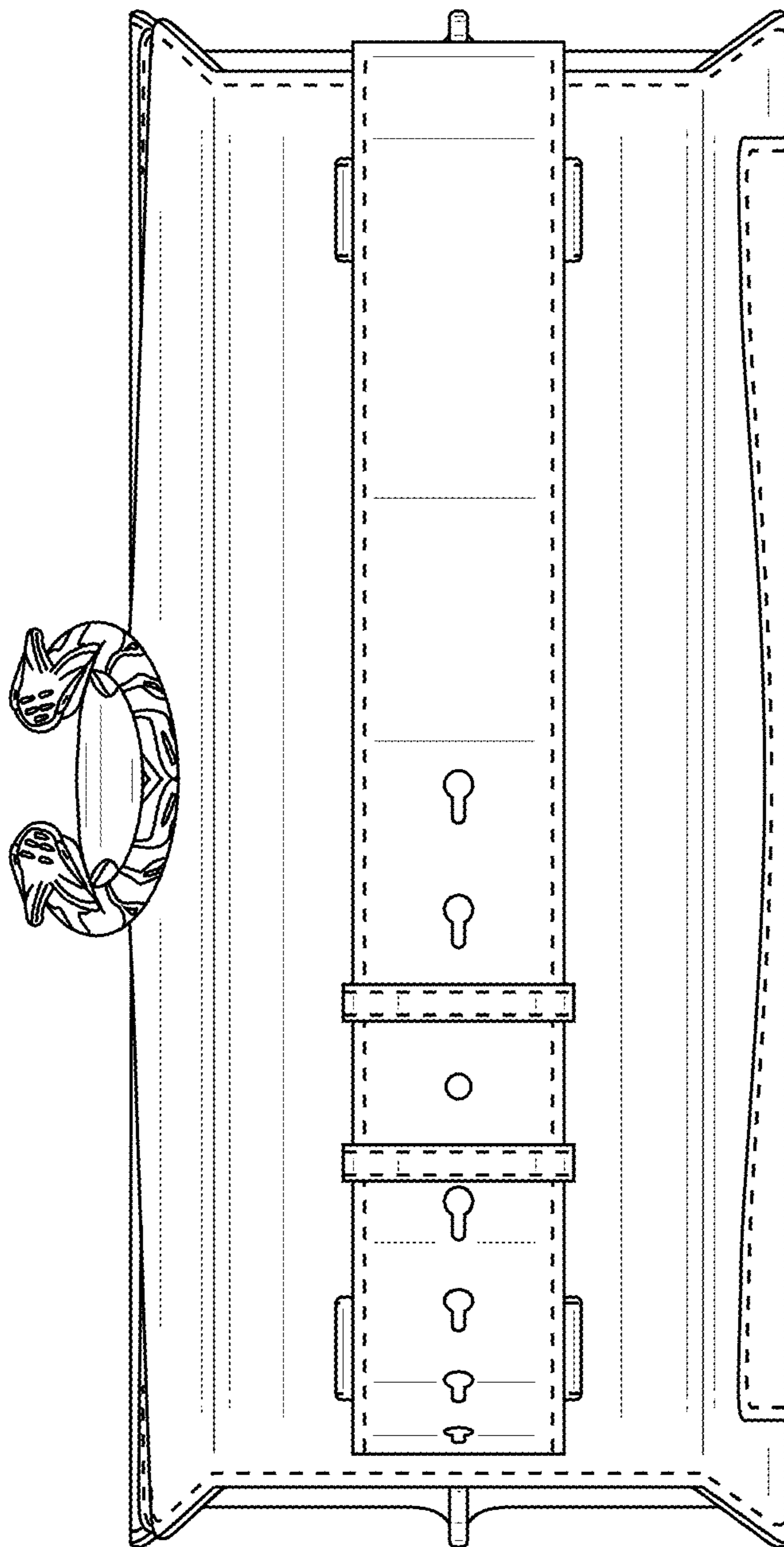


FIG. 4

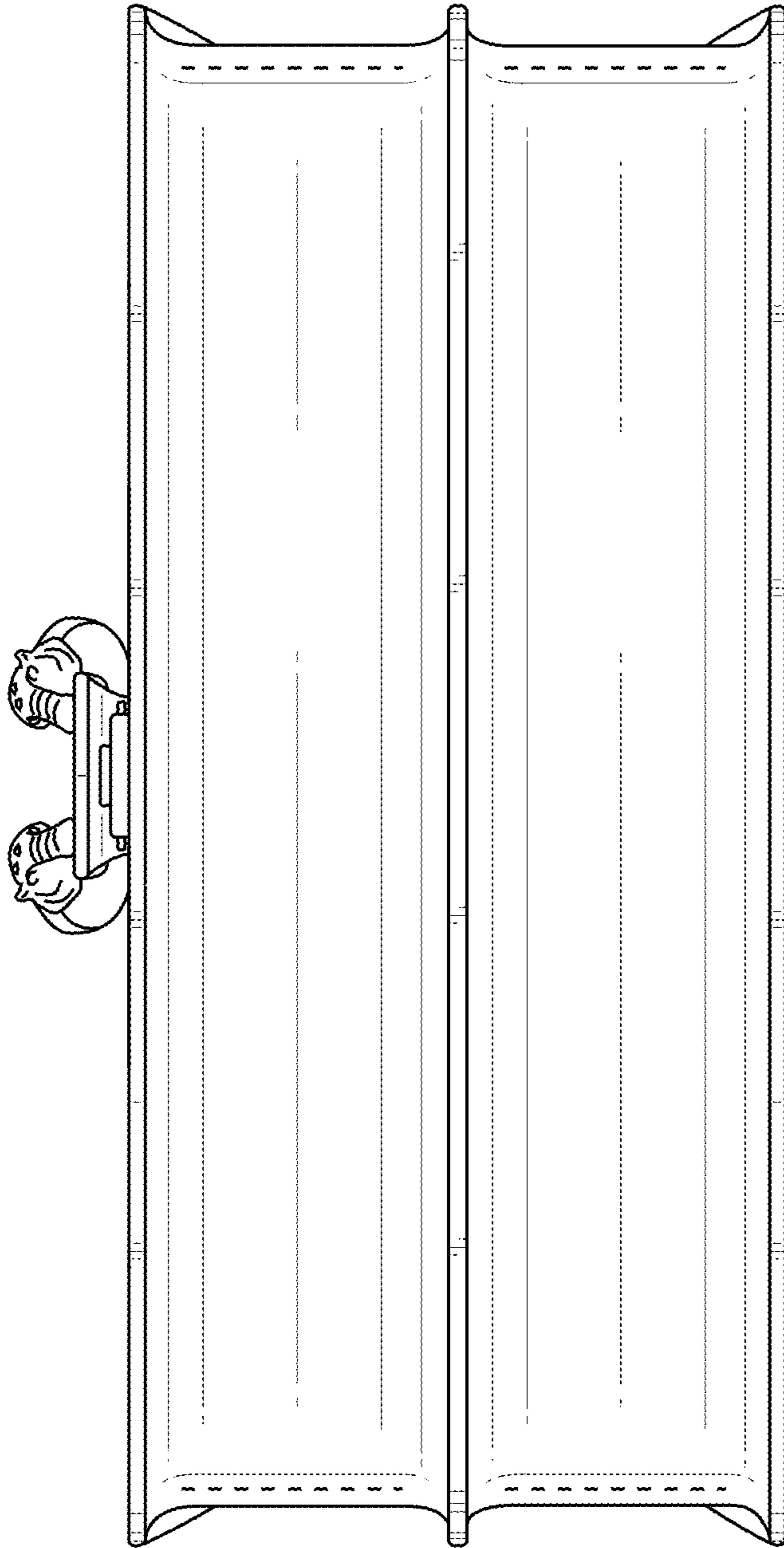


FIG. 5

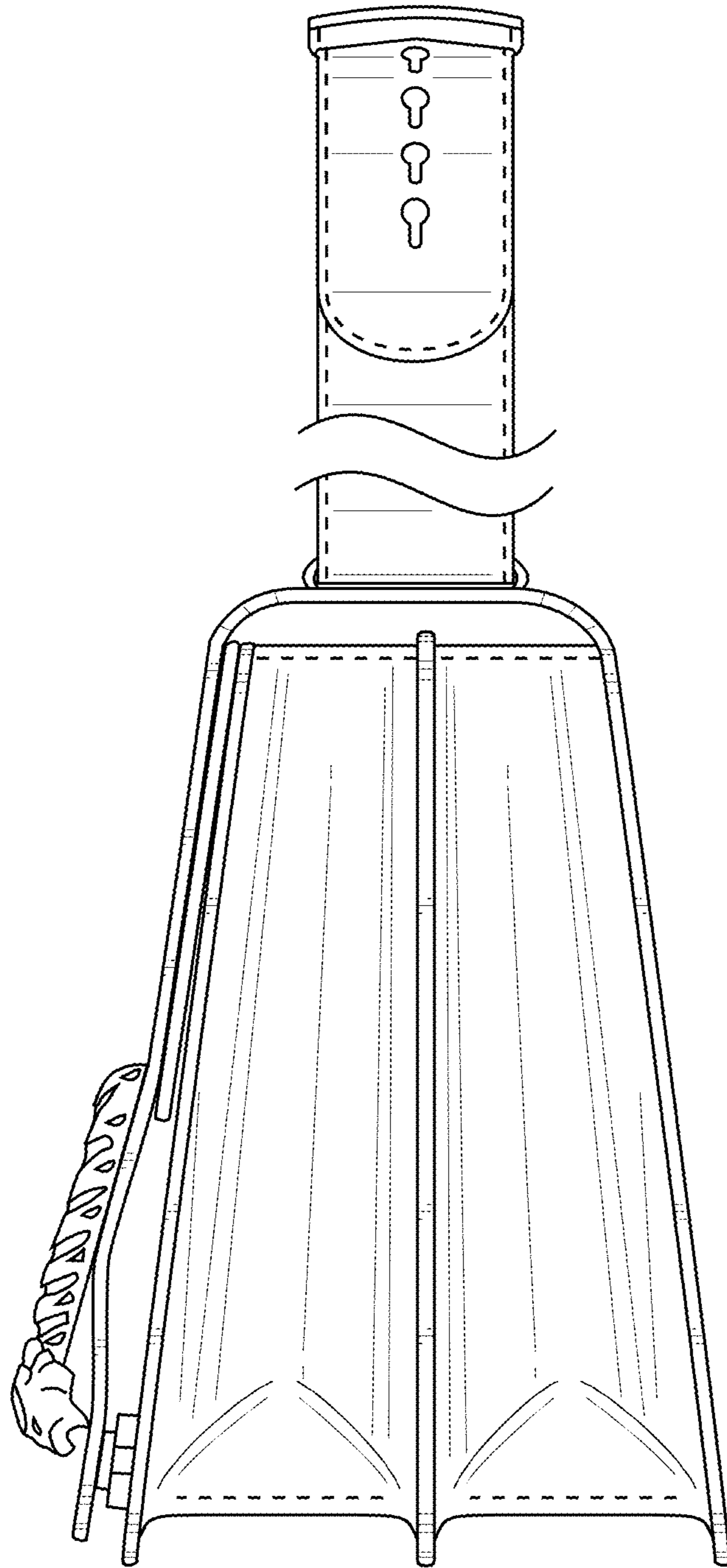


FIG. 6

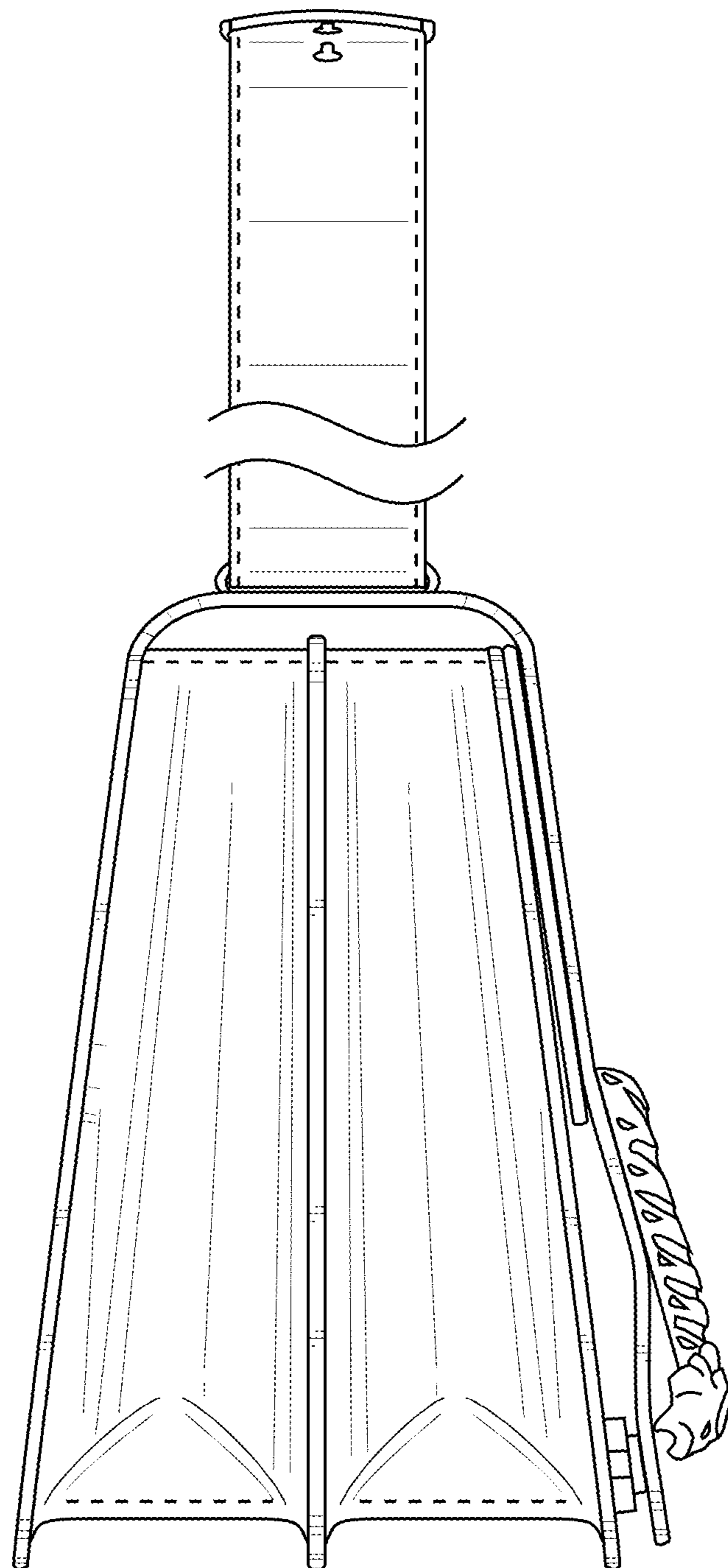


FIG. 7