



US00D789667S

(12) **United States Design Patent**  
**Crewdson**

(10) **Patent No.:** **US D789,667 S**

(45) **Date of Patent:** **\*\* Jun. 20, 2017**

- (54) **CUSHION PAD**
- (71) Applicant: **TALAR-MADE LIMITED,**  
Chesterfield Derbysh (GB)
- (72) Inventor: **Bernard Martin Crewdson,**  
Chesterfield Derbysh (GB)
- (73) Assignee: **TALAR-MADE LIMITED,**  
Chesterfield Derbysh (GB)
- (\*\*) Term: **15 Years**
- (21) Appl. No.: **29/557,674**
- (22) Filed: **Mar. 10, 2016**
- (51) **LOC (10) Cl.** ..... **02-04**
- (52) **U.S. Cl.**  
USPC ..... **D2/961**
- (58) **Field of Classification Search**  
USPC ..... D2/896, 946, 947, 951, 960, 961, 968,  
D2/976; D6/595, 596, 601, 604, 605  
CPC .... A43B 1/00; A43B 3/00; A43B 7/00; A43B  
7/02; A43B 7/025; A43B 7/06; A43B  
7/08; A43B 7/081; A43B 7/082; A43B  
7/085; A43B 7/087; A43B 7/088; A43B  
7/14; A43B 7/1405; A43B 7/141; A43B  
7/1415; A43B 7/142; A43B 7/1425; A43B  
7/143; A43B 7/1435; A43B 7/144; A43B  
7/1445; A43B 7/145; A43B 7/1455; A43B  
7/146; A43B 7/1465; A43B 7/147; A43B  
7/1475; A43B 7/148; A43B 7/1485; A43B  
7/149; A43B 7/32; A43B 7/34; A43B  
7/38  
See application file for complete search history.

4,912,861	A *	4/1990	Huang	.....	A43B 5/0407	36/29
5,042,176	A *	8/1991	Rudy	.....	A43B 13/203	36/153
D350,432	S *	9/1994	Saez	.....	D2/961	
D351,056	S *	10/1994	Auger	.....	D2/961	
D363,816	S *	11/1995	Sarkinen	.....	D2/961	
D364,035	S *	11/1995	Lee	.....	D2/961	
D364,036	S *	11/1995	Passke	.....	D2/961	
D374,761	S *	10/1996	Sell, Jr.	.....	D2/961	
5,799,415	A *	9/1998	Kenji	.....	A43B 17/08	36/3 R
D460,854	S *	7/2002	Hung	.....	D2/946	
D505,537	S *	5/2005	Friedman	.....	D2/961	
D606,292	S *	12/2009	Ong	.....	D2/947	
D620,693	S *	8/2010	Bobbett	.....	D2/961	
D677,456	S *	3/2013	Knight	.....	D2/961	
D696,845	S *	1/2014	Weaver, II	.....	D2/961	
D747,086	S *	1/2016	Manning	.....	D2/961	
2010/0263232	A1 *	10/2010	Smirman	.....	A43B 5/1641	36/43

\* cited by examiner

*Primary Examiner* — Elizabeth J Oswecki  
(74) *Attorney, Agent, or Firm* — Lee & Hayes, PLLC

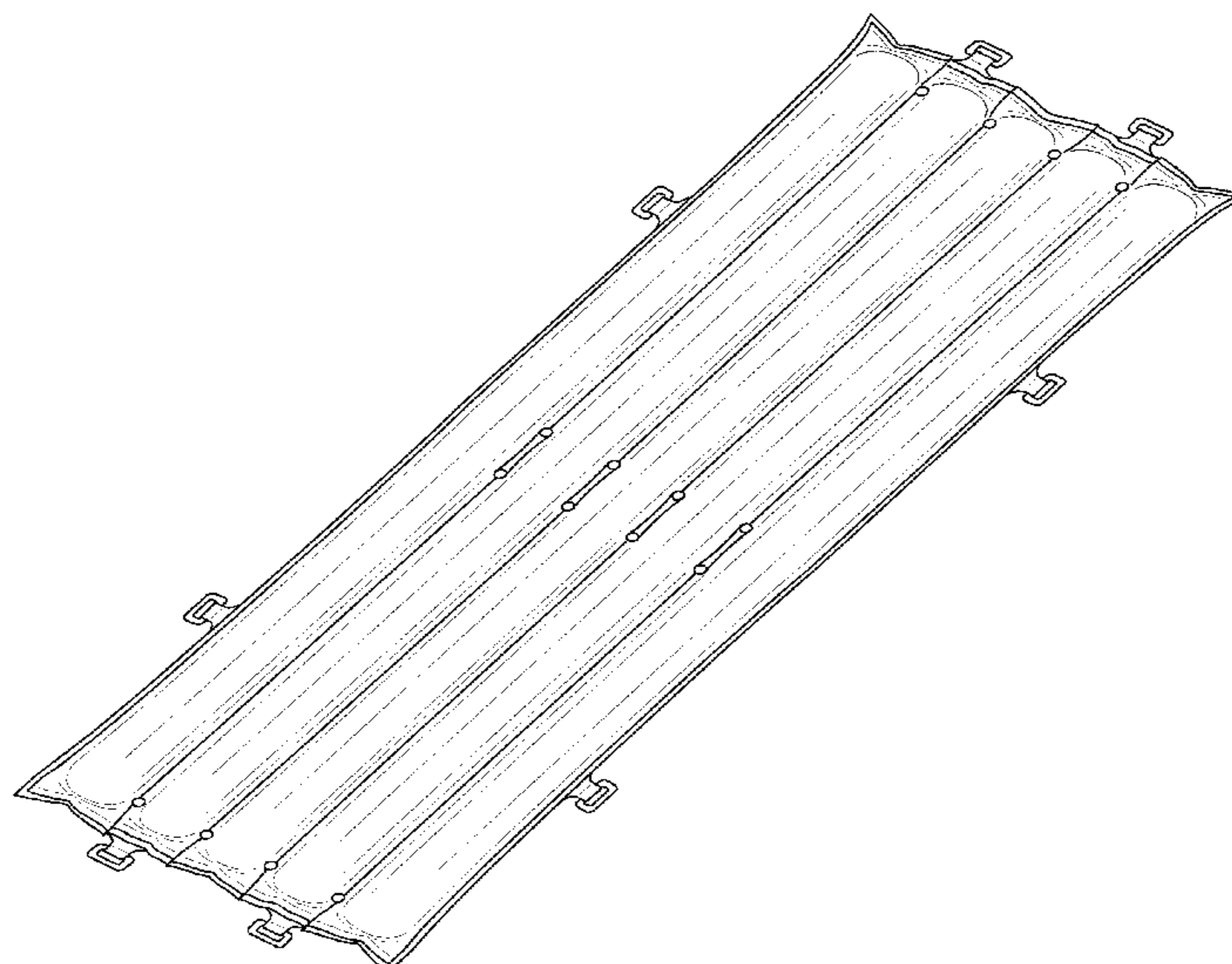
(57) **CLAIM**

The ornamental design for a cushion pad, as shown and described.

**DESCRIPTION**

FIG. 1 is a perspective view of a cushion pad showing my new design;  
FIG. 2 is a bottom view thereof;  
FIG. 3 is a top view thereof;  
FIG. 4 is a left side view thereof;  
FIG. 5 is a right side view thereof;  
FIG. 6 is a front view thereof; and,  
FIG. 7 is a back view thereof.  
The broken lines shown in the drawings represent portions of the cushion pad that form no part of the claimed design.

**1 Claim, 5 Drawing Sheets**



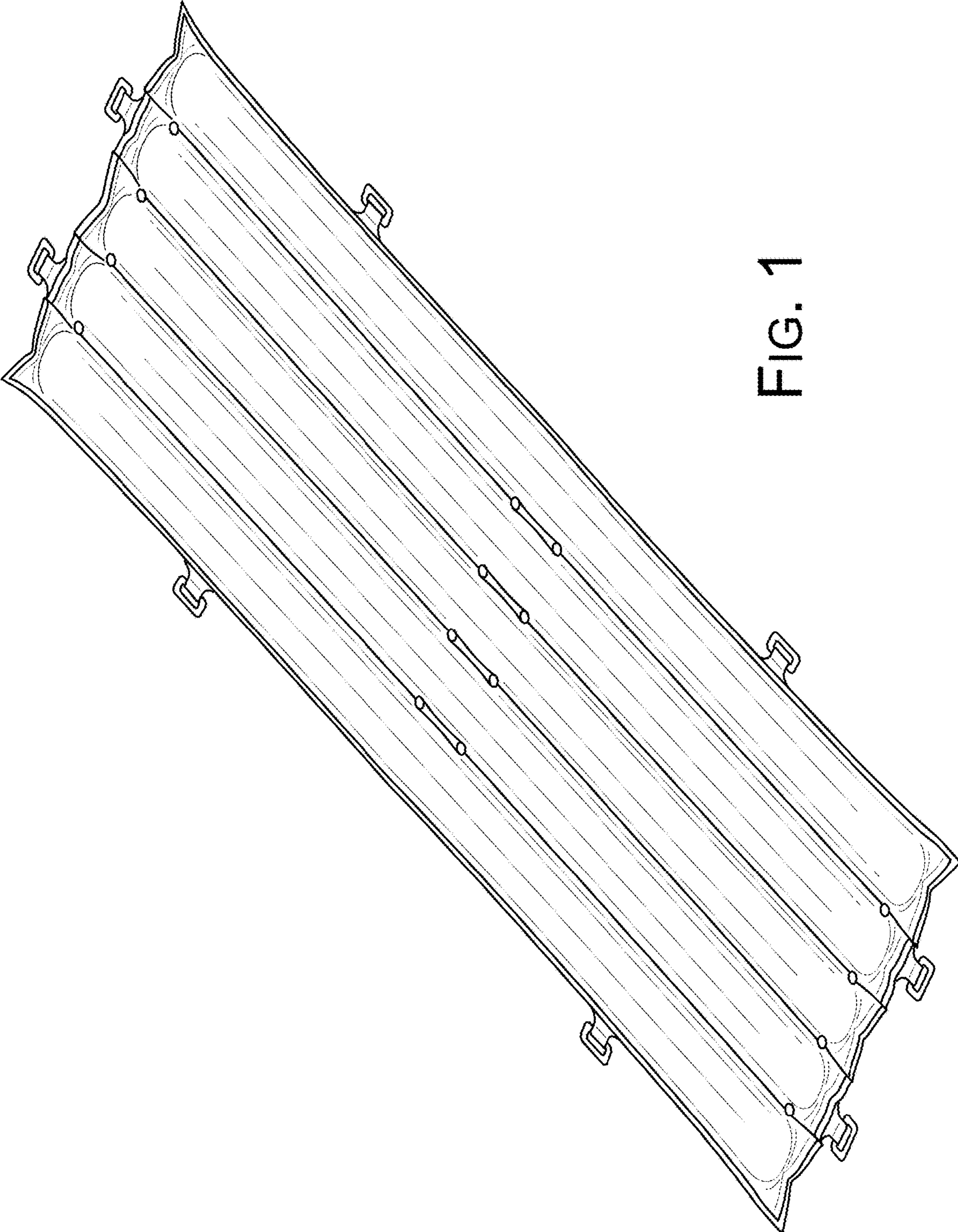


FIG. 1



FIG. 2

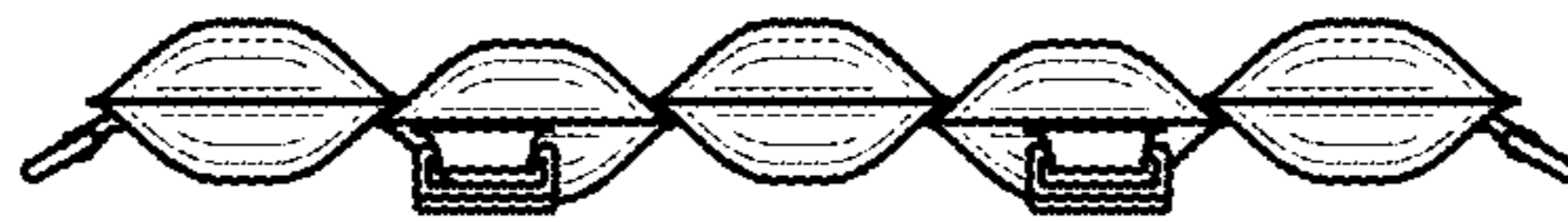


FIG. 3

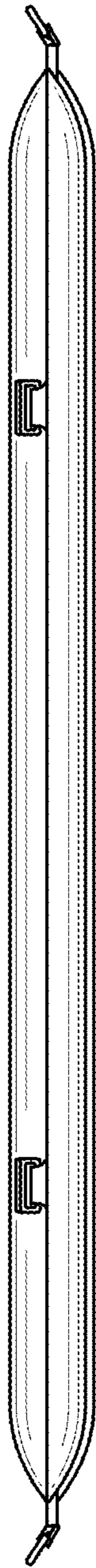


FIG. 4

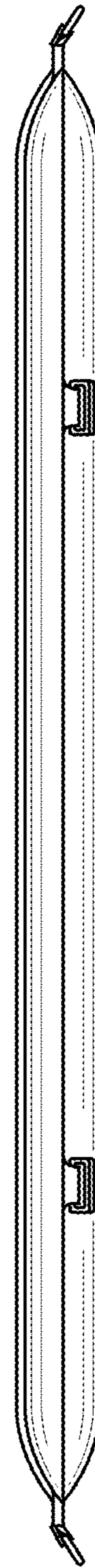


FIG. 5

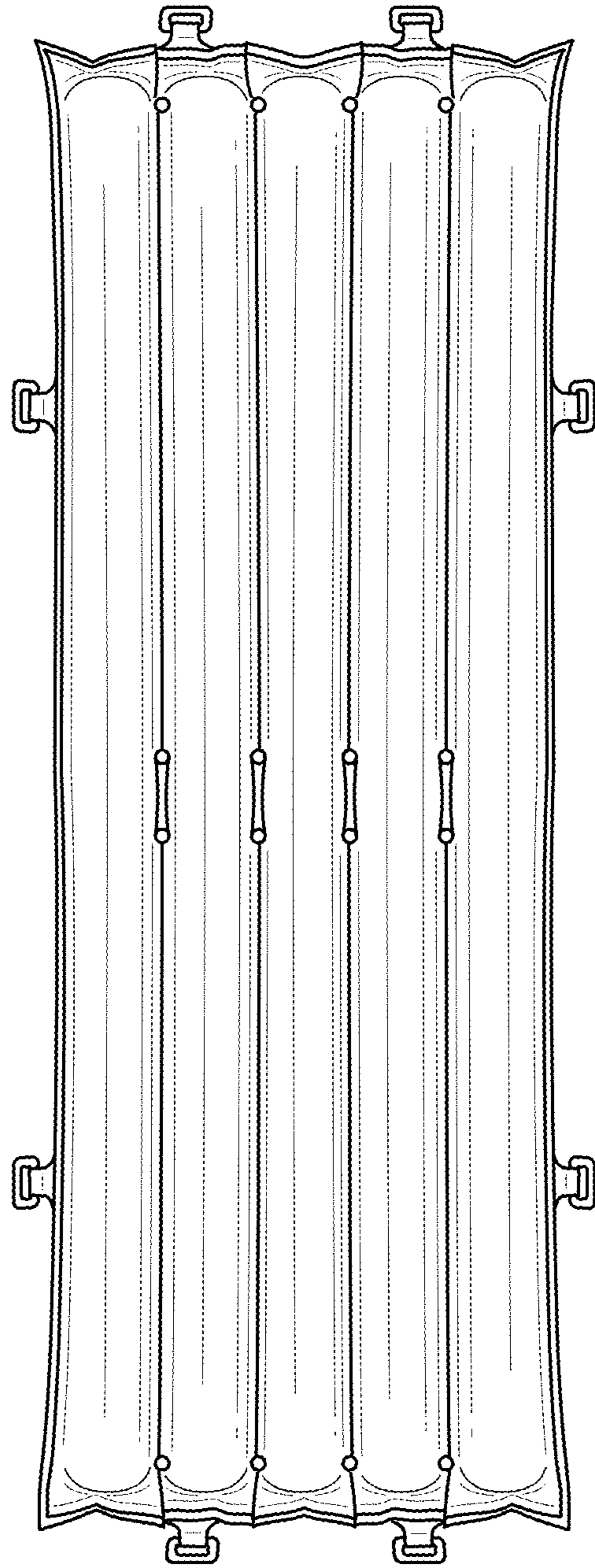


FIG. 6

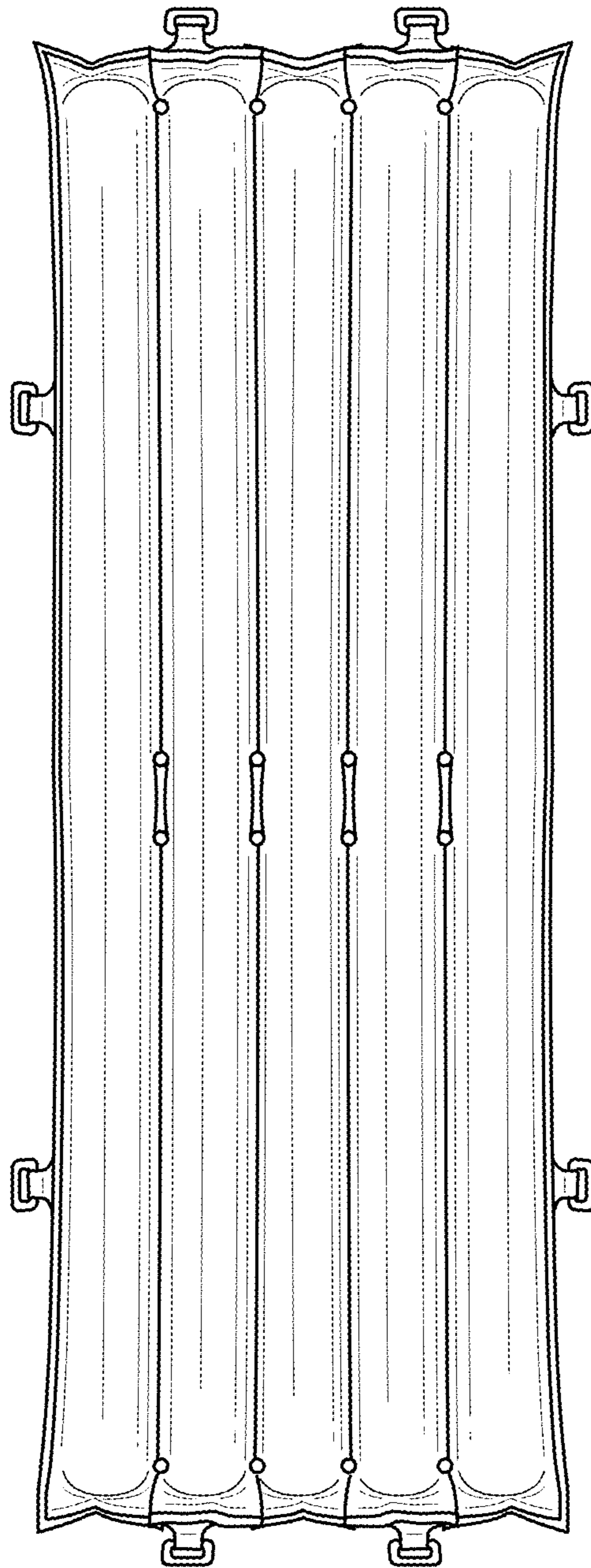


FIG. 7